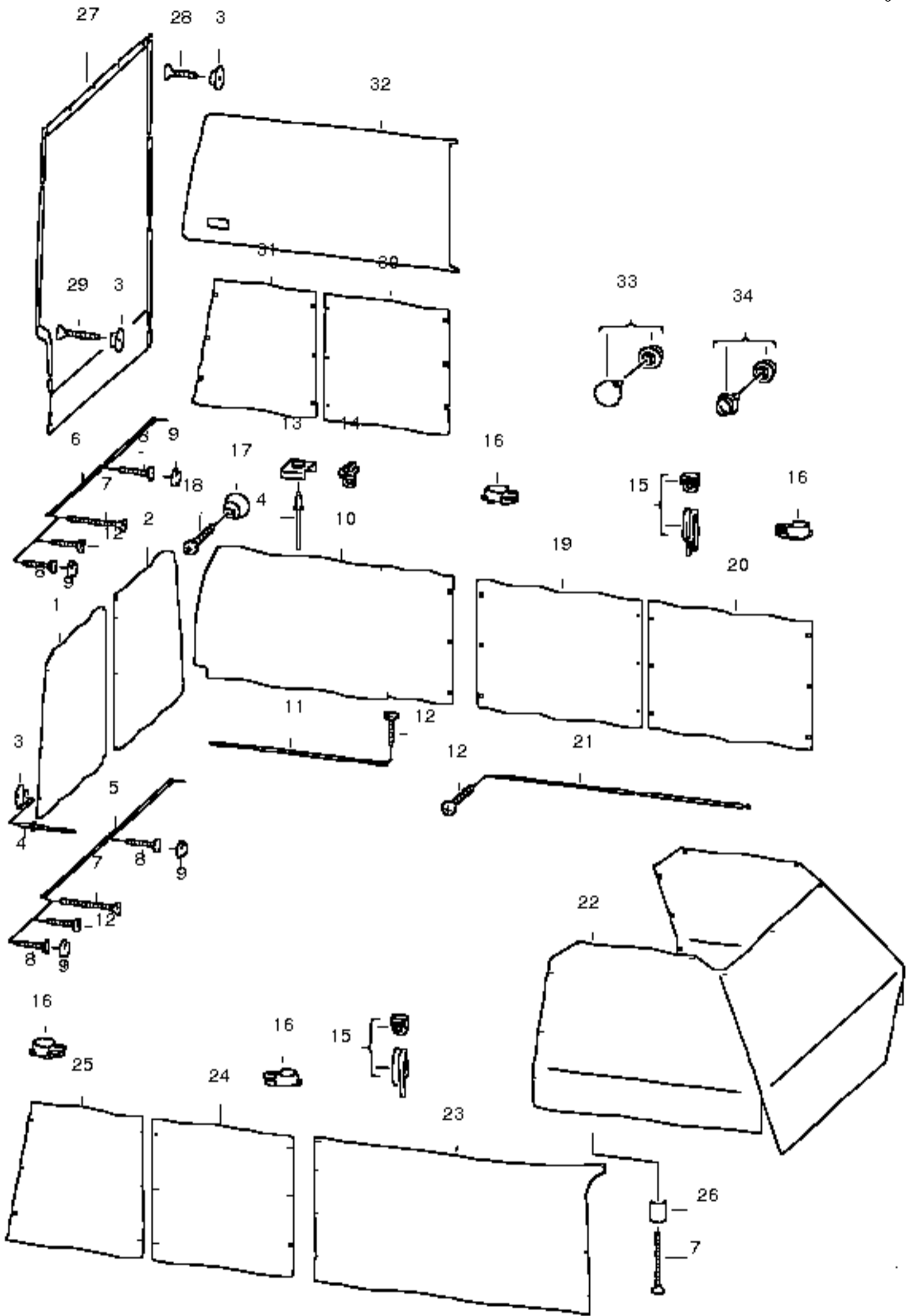


1996 VW WuroVan after chassis 70-T-200001

In all cases, each picture is followed by a single page of part numbers. For example, #10 on the picture would be found on the next page that provides the correct VW part number for index #10. In many cases, there may be multiple part numbers all listed as #10 so be sure to read the text description for each part to determine the proper applicability as these pages all cover multiple versions and models of each parts category.

This parts catalog includes many options and features not normally found on US EuroVans but I've included all possible pages just for the sake of archiving everything that I could obtain at the time.



curtains / MULTIVAN
mosquito net / pop-up roof

1 701070400F
curtain for rear window / right

2 701070400E
curtain for rear window / left

3 231067654
press stud-ball part

4 231070945
pop-rivet / 3,2X5,84

5 701070403B
slide rail / lower grey

6 701070402B
slide rail / upper grey

7 701070921D
oval head panel screw / 3,9X55

8 701070920
oval head panel screw / 3,9X19

9 701070923
cap for screw grey

15 701070408
glide piece

16 701070410B
cap grey

19 701070404B
curtain for side window / left front / rear

20 701070405B
curtain for side window / left front / front

22 701070409A
curtain for cab

23 701070411A
curtain for side window / right front

24 701070412C
curtain for side window / right rear / front

25 701070412B
curtain for side window / right rear / rear

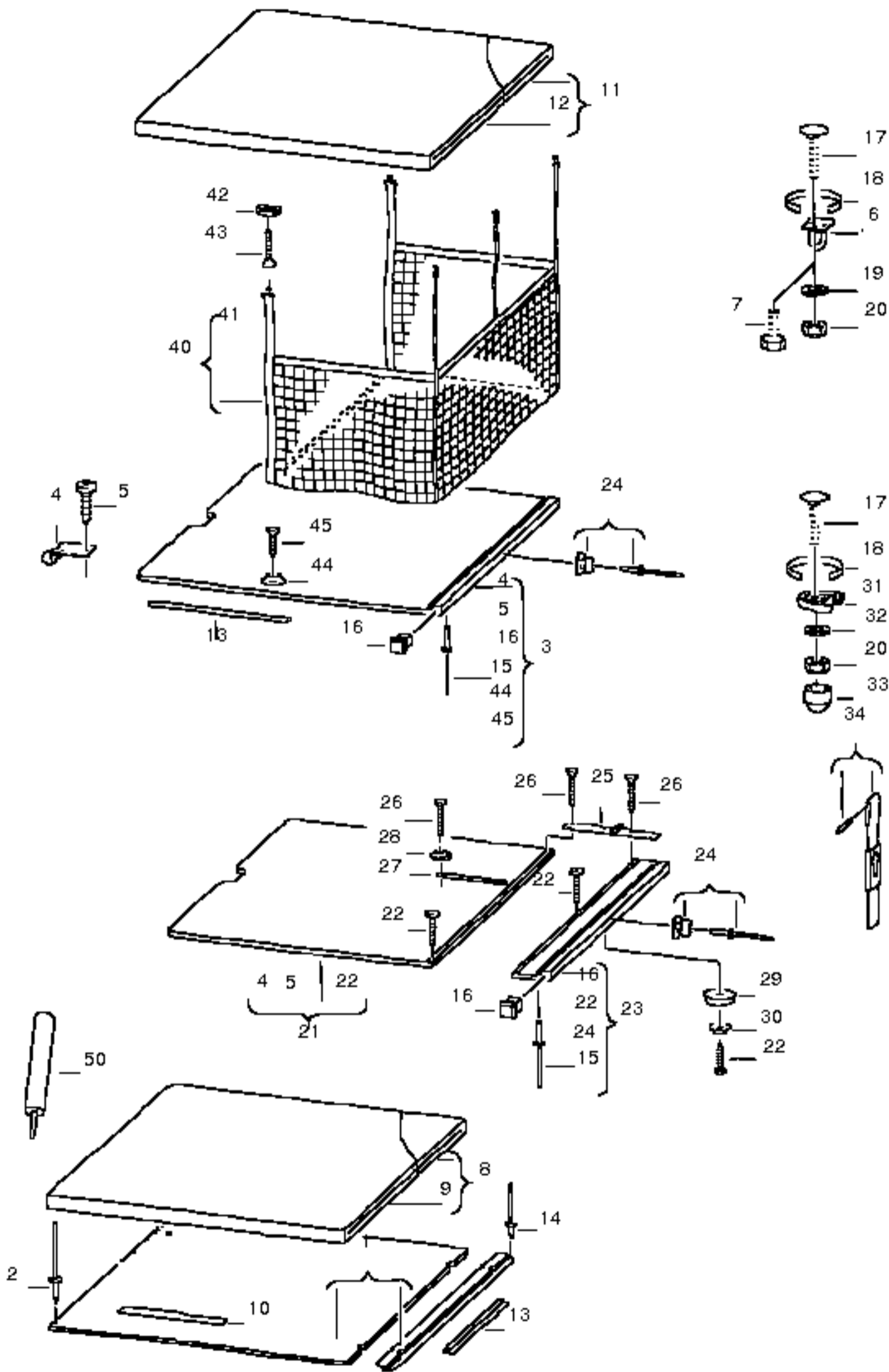
26 253069294
spacer bush / 5MM

30 701070407B
curtain for side window / left rear / front

31 701070407A
curtain for side window / left rear / rear

33 701070408B
press button spring part with cap violet

34 701070408D
mackle button and annular spring part



double bed in pop-up roof / MULTIVAN

1 701070727G

bed board / rear

2 N 90419601

snap nut / 4,2X18X12,8

3 701070728H

bed board / front

use if required: / 701 070 727 G

4 701070729D

hinge

5 N 0139612

oval head panel screw / ST3,9X13-F

8 701070733C

bed upholstery / front grey blue

9 701070734C

upholstery material / rear grey blue

10 255070219C

velcro strip / grey

11 701070733C

bed upholstery / front grey blue

12 701070734C

upholstery material / front grey blue

13 701070717B

gasket (self-adhesive) / 1000MM

(13) 701070717D

gasket (self-adhesive)

14 N 0162011

cup rivet / AK4,8X14

15 701070919

pop-rivet / 5X24

16 701070933A

plug / 30X30

17 701070901K

flat round head bolt / M6X30

18 AKD49701004

sealing cord in coils of 10m 'order unit 1'

AKD49701004R10 sealing cord / 10X2MM

20 N 01118312

hexagon nut, self-locking / M6

24 701070730A

locking spigot black

31 701070730B

retainer black

32 N 0115476

washer / A6,5X14X1,6

33 255070909A

protective cap / M6 black

34 701070745A

hand strap black

40 701070745B

safety net

41 701070942AD

retaining band adapt with workshop equipment

42 701070757

retaining plate grey

43 N 0140914

oval hd. csk. self-tapp. screw / ST3,9X16-C

44 231067654

press stud-ball part

45 701070925N

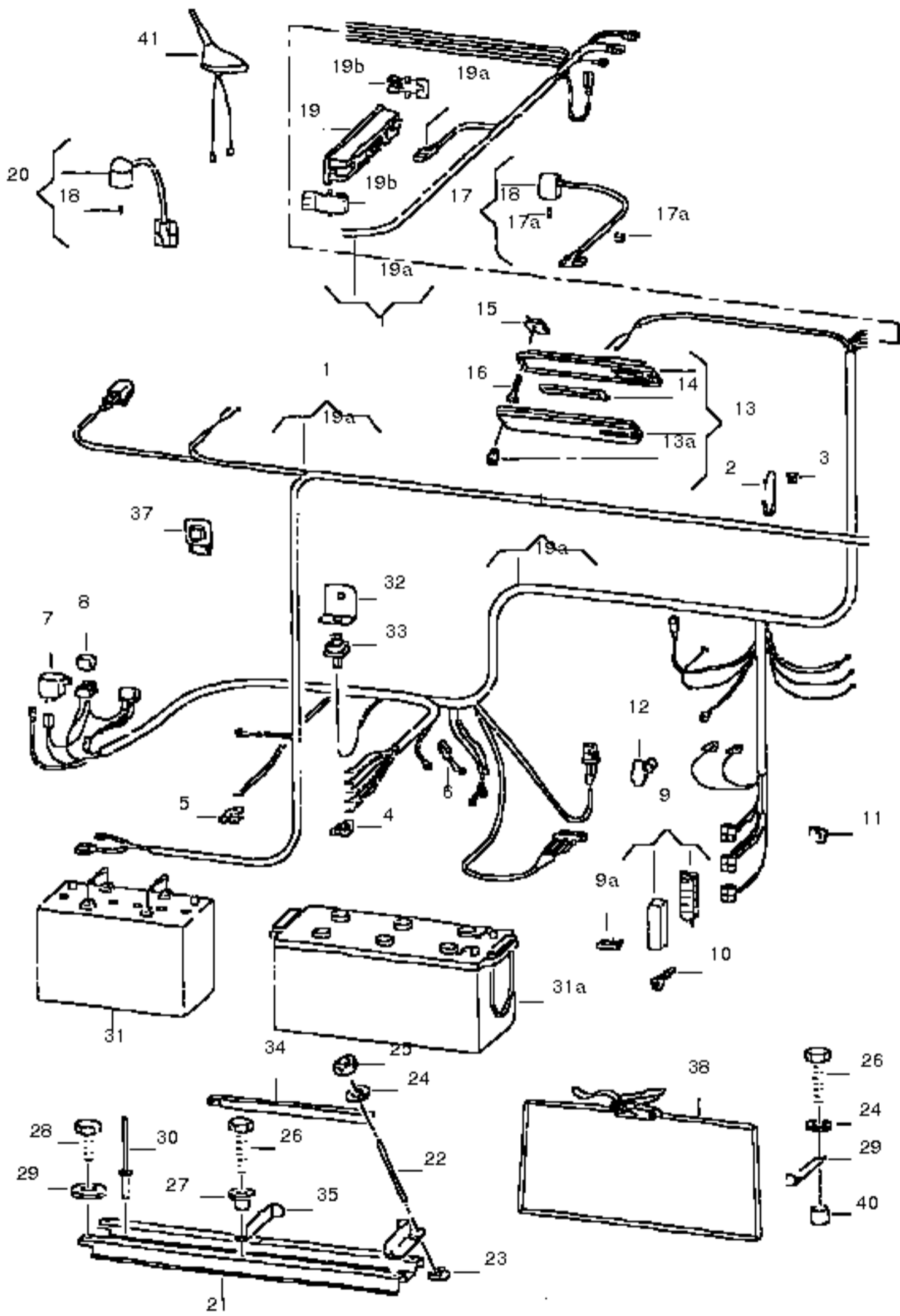
countersunk wood screw / 3,5X12

50 AKD476KD505

polyurethane- adhesive sealant / 300ML

(50) 701070916A

adhesive/sealing compound / black



electrical system / 12V / MULTIVAN

2 N 0209022

cable tie / 6X246

3 000971010A

retaining plate for cable binder (self-adhesive) / 27X27MM

also use: / N 020 902 2

- N 0209022

cable tie / 3,6X246

13 701070528

interior light

13A 701070528A

knurled nut

14 701070529

fluorescent tube / 12V11W/

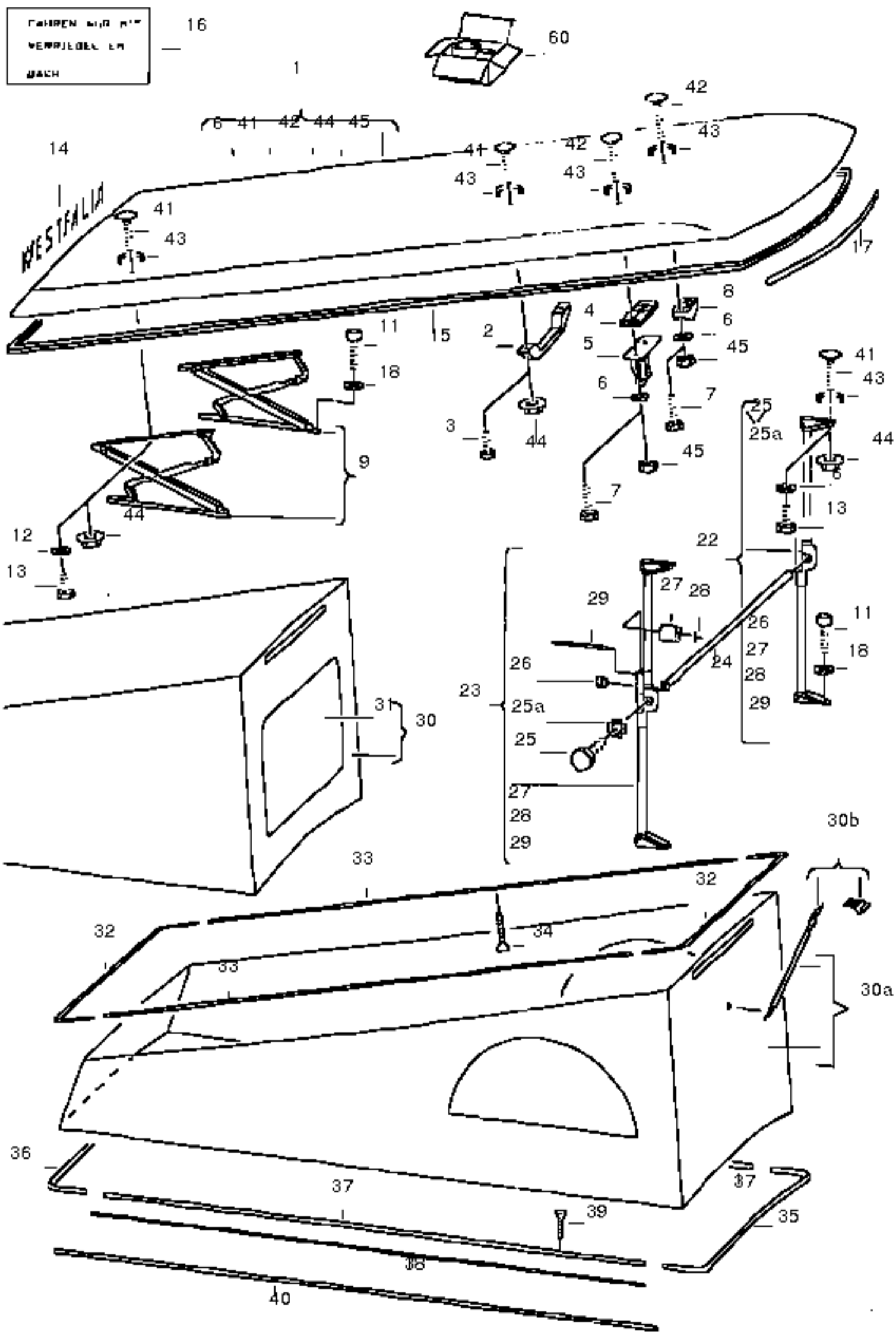
/ PLS11/827/4P

15 701070936A

panel nut

16 231069052

oval hd. csk. self-tapp. screw / B2,9X19



1996 pop-up roof / MULTIVAN

bellows

1 701070711G

pop-up roof

2 251857607

grab handle

251857607 01C satin black

4 701070712

distance plate

5 701070713

convertible top lock

6 N 01152423

washer / A6,4X12,5X1,6

8 701070714

mounting

9 701070715B

1 set of hinges

11 701070928A

cheese head bolt / M6X20

14 701070914

foil inscription / 'WESTFALIA'

silver grey

15 701070735J

roof frame seal

16 701070902

information sticker

17 701070717A

wind deflector / 1415MM

18 N 0115476

washer / A6,5X14X1,6

22 701070723C

support rail / left

also use: / 701 070 724 C

/ 701 070 725 B

23 701070724C

support rail / right

also use: / 701 070 723 C

/ 701 070 724 C

24 701070725B

connecting rod

also use: / 701 070 723 C

/ 701 070 724 C

25 N 01024222

hexagonal head bolt / M8X25

25A N 0121322

shake-proof washer / A8,4

26 701070918

stop buffer

27 701070918A

stop buffer / 22,5X20

28 N 01152318

washer / A5,3X10X1

29 701070919

pop-rivet / 5X24

30 701070717H

bellows grey zipp fastener / 2,6MM

31 701070413C

mosquito net / 885X490MM grey

zipp fastener / 2,6MM

32 701070718

retaining rail / front and rear

33 701070719

retaining rail / left a. right

34 N 0140831

oval hd. csk. self-tapp. screw / ST2,9X16-C

35 701070720

retaining rail / front

36 701070721

retaining rail / rear

37 701070722

retaining rail / side

38 701070735B

butyl adhesive / sealing cord

39 N 0139532

oval head panel screw / B2,9X9,5

40 255070926M

retaining profile / 10M

41 701070901K

flat round head bolt / M6X30

42 701070901L

flat round head bolt / M6X40

43 AKD49701004

sealing cord in coils of 10m 'order unit 1'

AKD49701004R10 sealing cord / 10X2MM

44 701070704A

shouldered hex. nut, self-locking / M6

45 N 01118312

hexagon nut, self-locking / M6

(60) 701070917G

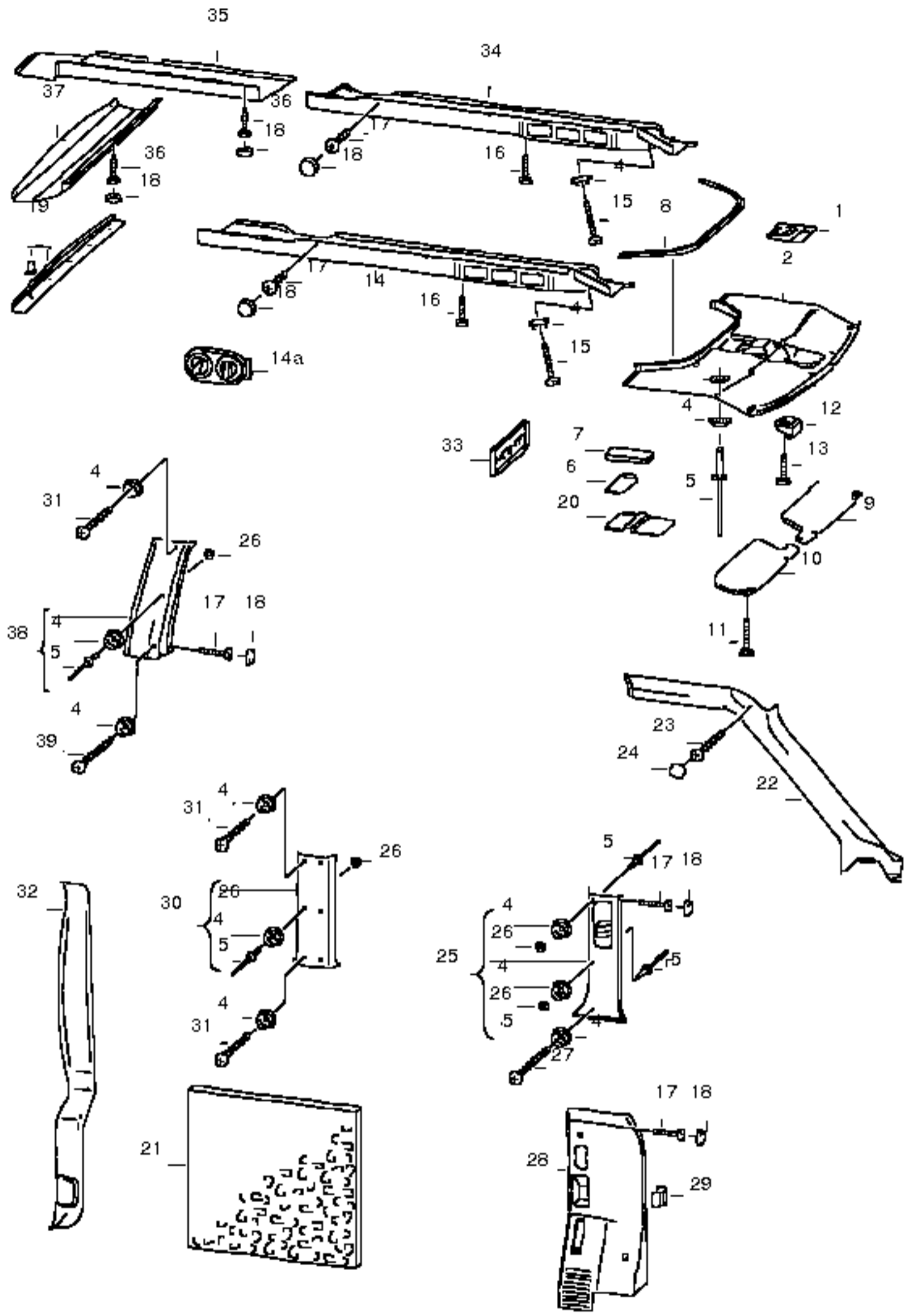
repair kit for fibre-glass plastic greywhite

(60) 701070917A

repair kit for fibre-glass plastic paprika red

(60) 701070917B

repair kit for fibre-glass plastic caribbean green



roof lining / MULTIVAN:
sun vizor / pop-up roof

1 701070002B
covering / front

2 -----
no longer available / front

3 N 0115536
washer / 3,2X6X0,5

4 231067654
press stud-ball part

5 701070919A
pop-rivet / 3,2X8,89

6 701070002
covering

7 701070937
packing, adhesive

8 701070937C
sealing

9 705857551P
sun vizor with mirror / left
705857551P 8ZZ grey

10 705857552G
sun visor with illuminated mirror and cover / right
705857552G 8ZZ grey

11 N 0139671
oval head panel screw / B4,2X19-C

12 705857561
bracket for sun visor
705857561 4YX grey

13 N 0139649
oval head panel screw / ST4,2X16-C

15 701070921B
oval head panel screw / 3,9X32

16 N 0139622
oval head panel screw / ST3,9X16-C

17 701070920
oval head panel screw / 3,9X19

18 701070923G
cap for screw grey

22 705867233
lining, pillar a / left upper
705867233 9XK light grey

23 N 90157501
panel screw / B4,2X25

24 357867169
cover cap
357867169 9XK light grey

25 701070007B
b-pillar trim / left upper

26 N 0115536
washer / 3,2X6X0,5

27 701070921
oval head panel screw / 3,9X45

30 701070009C
lining, pillar c / left upper

31 701070921A
oval head panel screw / 3,9X22

33 701070005A
trim / 'WESTFALIA'

34 701070003A
roof frame trim panel / left

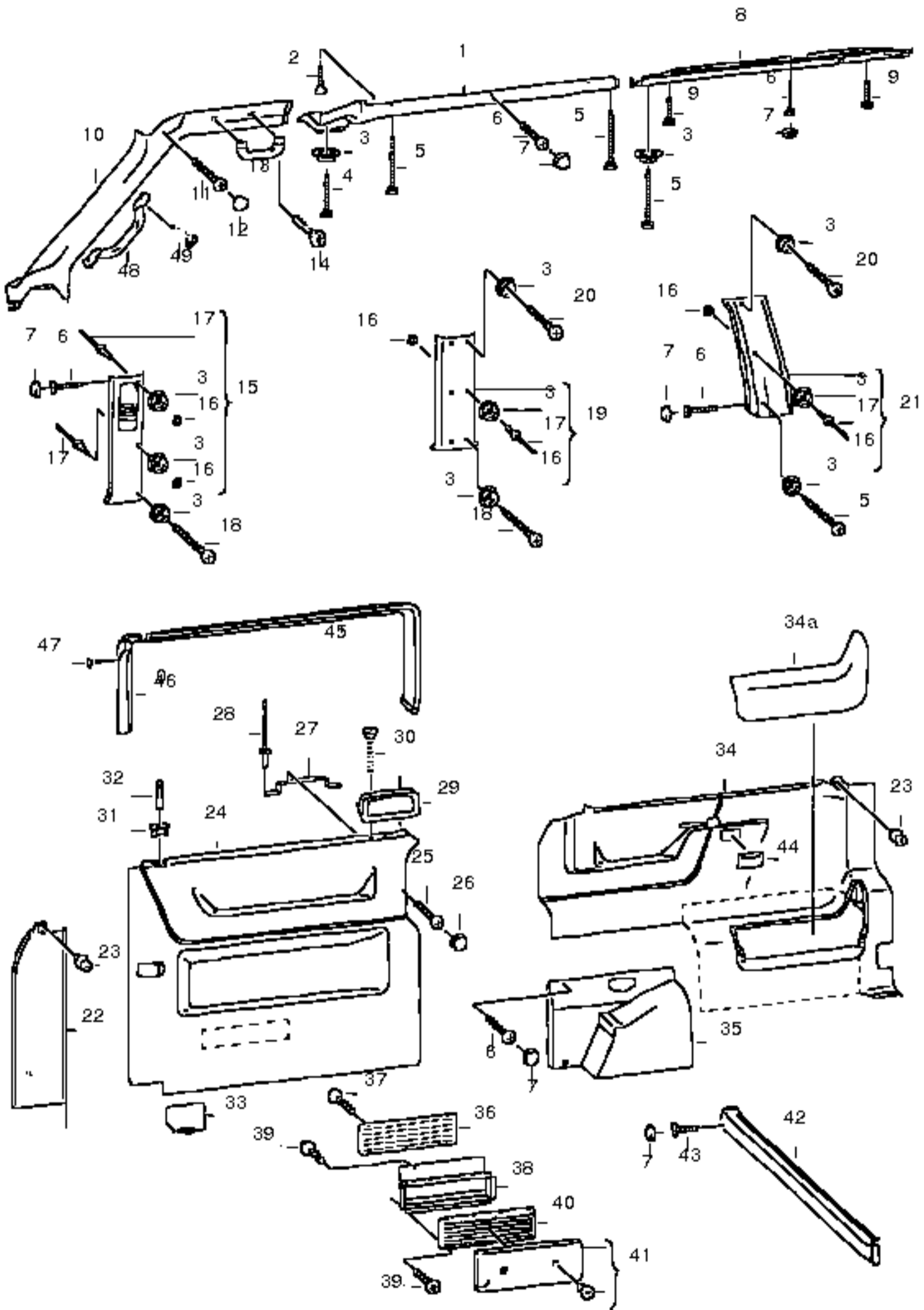
35 701070003B
roof frame trim panel / left rear

36 255070240
oval head panel screw / B3,9X13

37 701070001A
roof frame trim panel / rear

38 701070010B
lining, pillar d / left

39 701070921C
oval head panel screw / 3,9X55



side trim panels / right / MULTIVAN:
pillar trim / pop-up roof

1 701070004

roof frame trim panel / right front

2 255070907E

oval head panel screw / 2,9X13

3 231067654

press stud-ball part

4 701070921B

oval head panel screw / 3,9X32

5 701070921C

oval head panel screw / 3,9X55

6 701070920

oval head panel screw / 3,9X19

7 701070923

cap for screw grey

8 701070006A

roof frame trim panel / right rear

9 N 0139622

oval head panel screw / ST3,9X16-C

10 705867234B

lining, pillar a / right upper

also use: / 705 867 915

/ (9XK)

705867234B 9XK light grey

- 705867915

cover cap

705867915 9XK light grey

11 N 90157501

panel screw / B4,2X25

12 357867169

cover cap

357867169 9XK light grey

13 705857607

grab handle, folding

705857607 9XK light grey

14 N 90434501

panel screw / 5X17

15 701070011

b-pillar trim / right upper

16 N 0115536

washer / 3,2X6X0,5

17 701070919A

pop-rivet / 3,2X8,89

18 N 0140882

oval head panel screw / ST3,9X38-C

19 701070009A

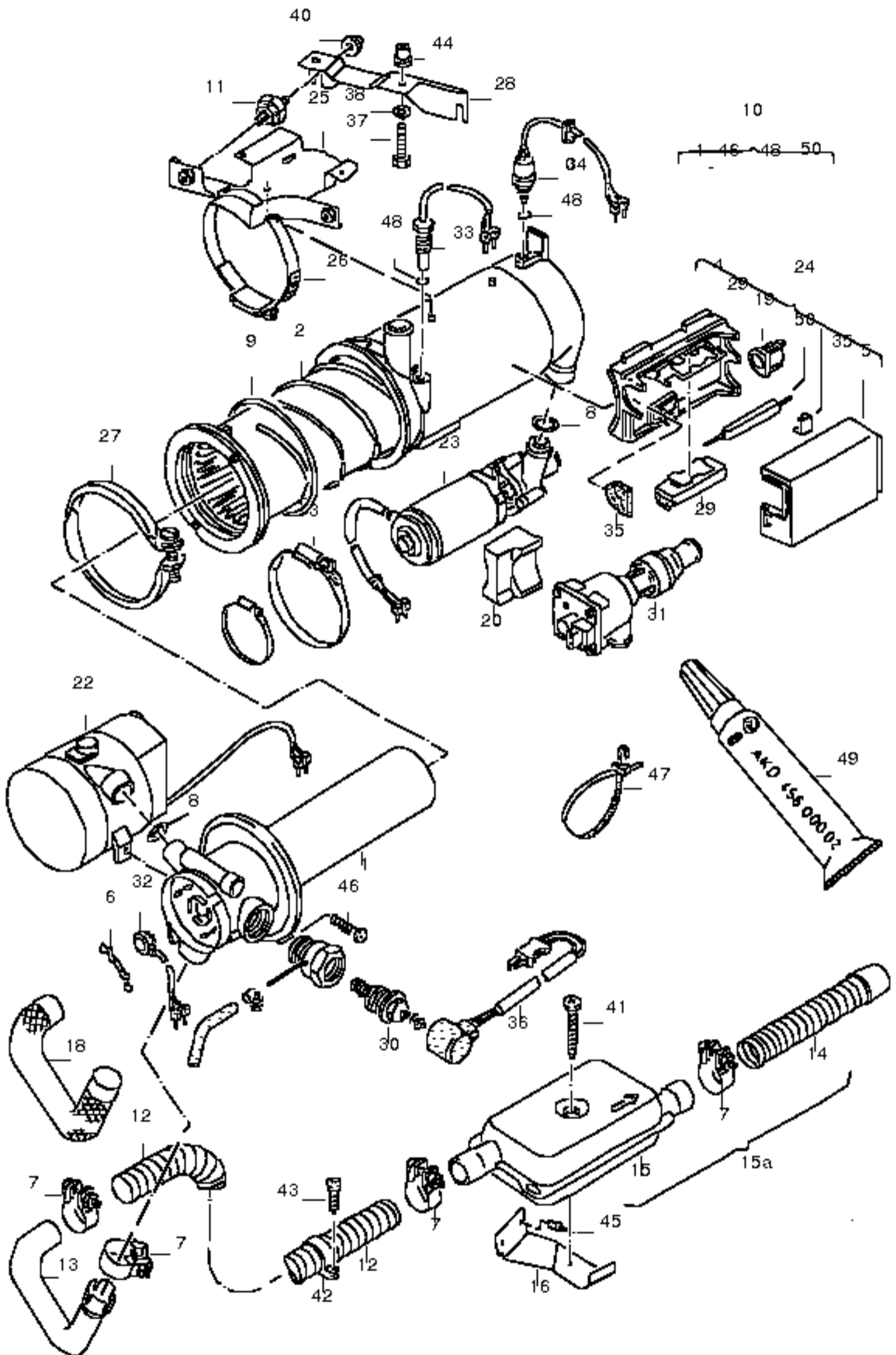
lining, pillar c / right upper

20 701070921A

oval head panel screw / 3,9X22

21 701070010A

lining, pillar d / right upper



additional heater / B7W/D7W

1 701261125
combustion chamber insert

2 701261140
heat exchanger

3 701261162
pipe clip

4 701261591
console

5 701261595
cover cap

6 701261630
tensioning clip

7 N 10436101
pipe clip / G1-25X15

8 701261750
round seal / 17X2,5

9 701261751
round seal / 89X4

10 701819008D
heater unit / B7W / otto engine

10 701819008E
heater unit / D7W / diesel eng.

11 701819083
bonded rubber mounting

12 701819085B
exhaust pipe

(13) 701819085C
exhaust pipe

(15A) 701819084C
exhaust silencer

16 701819090
retainer

17 701819097
fuel pump / otto engine
retainer

see illustration: / 201-50

(17) 701819097A
fuel pump / diesel eng.
retainer

see illustration: / 201-50

18 701819237
insulating hose

19 701819247
grommet

20 701819249
intermediate bearing

22 701819254
blower

23 701819255
water pump

25 701819259
retainer
heater unit

26 701819260
pipe clip

27 701819266
pipe clip

28 701819267
retainer

- 701819493
hose

- N 0245281
pipe clip / LC8-12

29 251963098
round connector housing

30 701963319
glow plug

- 251261121
flame deflector strainer

31 701963375
valve
electric

32 701963533
fuel cut-off

33 701963535
temperature sensor

34 701963537
overheating switch

35 701971878
grommet / 20X23

36 701972237
wiring harness
glow plug

37 N 01021710
hexagonal head bolt / M6X20

38 N 0116735
washer / B5,5X18X1,6

40 N 90175203
hexagon nut, shouldered / M6

41 N 0381071
oval head panel screw / 4,8X50

42 N 10187101
pipe clip / 15X20

43 N 0139649
oval head panel screw / ST4,2X16-C

44 N 90252101
rivetted cap nut / AM6/0,5-3

45 N 90478601
pop-rivet / A4,8X11

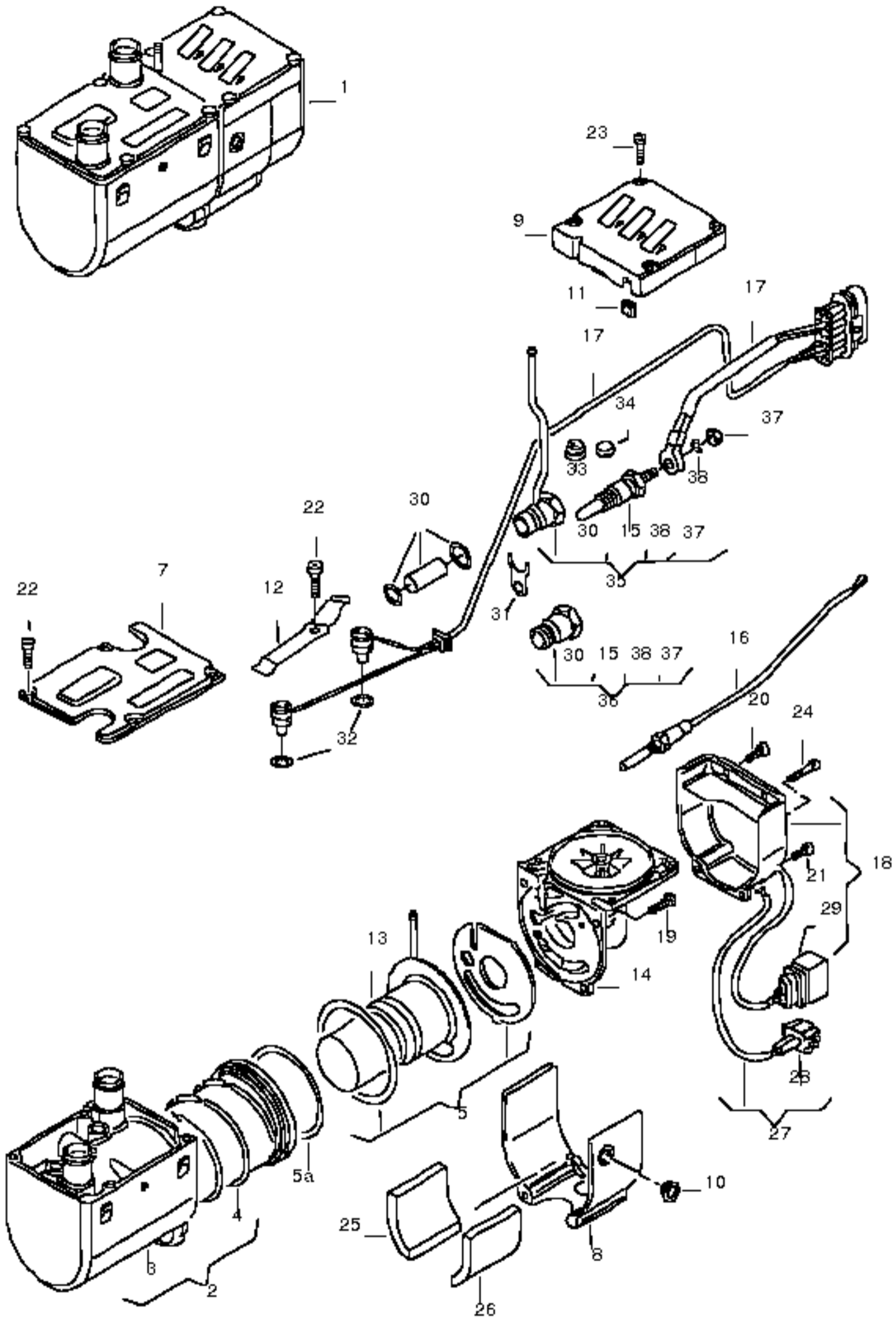
46 N 0141423
fillister hd. bolt / M6X20

47 N 90666101
cable tie / 4,5X200

48 N 90364901
round seal / 7X2-N

49 AKD45600002
sealant / 14G

50 701963534
resistor



additional heater for coolant circuit / D3W
additional heater for coolant circuit / D3W / diesel eng.:
/ ACV
see illustration: / 819-62

1 7D0815071
heater for additional heater / D3W / ACV
single parts
only for: / 7D0 815 071

2 701819031D
heat exchanger

3 7D0819061
heat exchanger housing

4 701819033
heat exchanger

5 701898003A
set of seals

(5A) 7D0819380
round seal / 74X3

7 701815713
cover

8 701815715
covering

(9) 7D0819915
cover

(10) 7D0819394
protective cap

11 701819598
plug

12 701815947
retaining panel

(13) 7D0819573A
combustion chamber insert

(14) 7D0963031A
blower motor with fan

15 7D0963319
glow plug

(16) 7D0963533A
fuel cut-off

(17) 7M0971411B
wiring harness adapter
overheating switch
temperature sensor

(18) 7D0963271A
electronic control unit

19 N 0102076
hexagonal head bolt / M5X12

20 N 0141233
fillister hd. bolt / M4X10

21 N 0141313
fillister hd. bolt / AM5X15

22 N 0141335
fillister hd. bolt / M5X12

23 N 0441314
fillister hd. bolt / M5X25

24 N 10065401
allen key head bolt / M5X65

29 3A0973734
flat contact housing / 8 pin

30 7D0898885
flame deflector strainer

31 7D0819735F
retainer

32 7D0819380A
round seal / 7X2MM

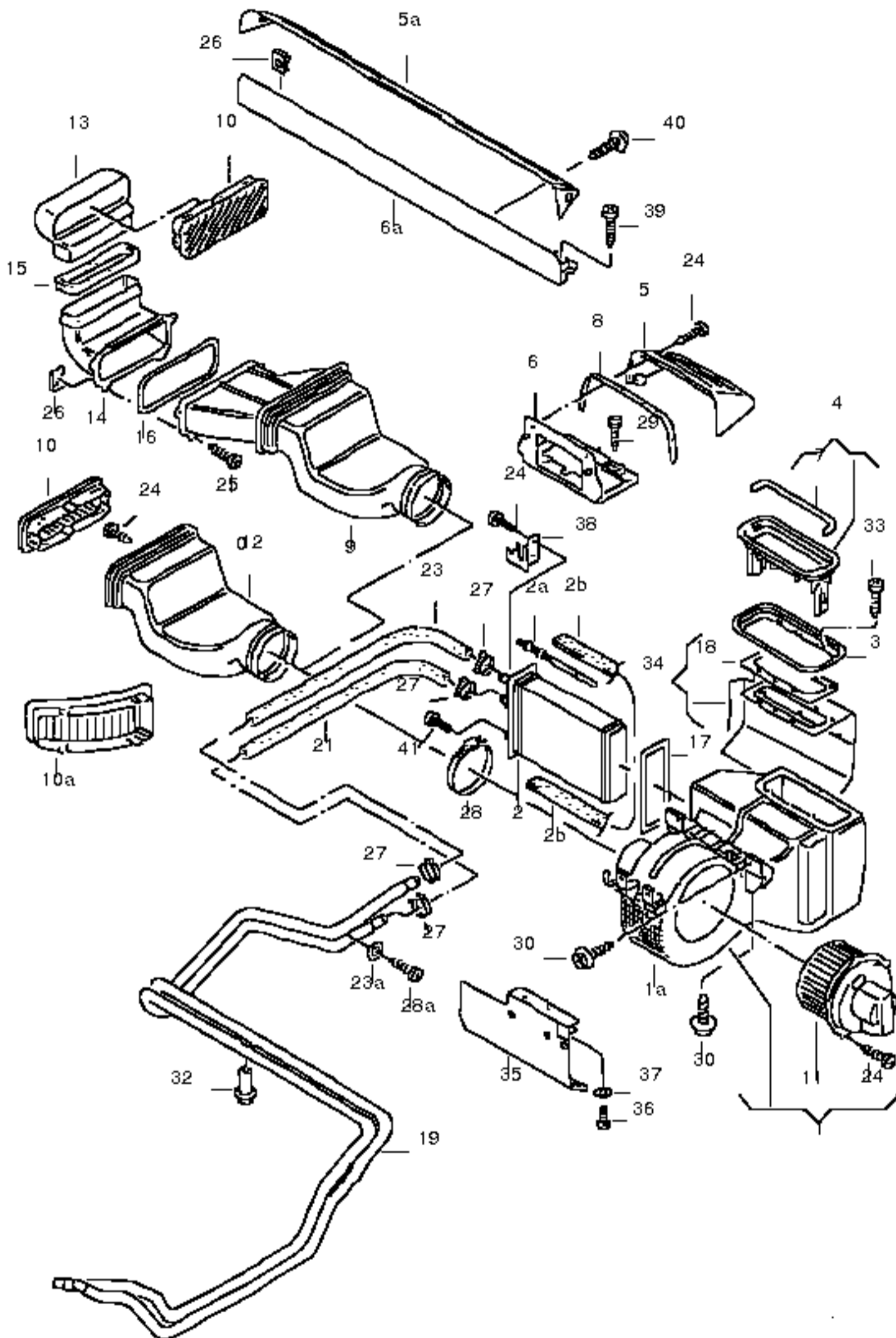
33 7D0819345A
grommet

34 7D0819394
protective cap

35 7D0819392
connection piece

37 N 0110042
hexagonal nut / M4

38 N 0120043
spring ring / B4



additional heater in passenger compartment
no longer available

(1A) 701819049

housing
for vehicles with 2nd. heat exchanger and warm air vent passenger compartment step

1A 703819049

housing
for vehicles with 2nd. heat exchanger and warm air vent under 1st. seat bench

(1A) 701819049B

housing / ACV
for vehicles with 2nd. heat exchanger and warm air vent passenger compartment step
use if required: / 701 815 485

1A 703819049B

housing / ACV
for vehicles with 2nd. heat exchanger and warm air vent under 1st. seat bench
use if required: / 701 815 485

(1A) 701820049A

housing
for vehicles with electronically regulated air condit.
for vehicles with 2nd. heat exchanger and warm air vent passenger compartment step
use if required: / 701 815 485

(1A) 703820049A

housing
for vehicles with electronically regulated air condit.
for vehicles with 2nd. heat exchanger and warm air vent under 1st. seat bench
use if required: / 701 815 485

- 7D1959263

series resistor / 1,8 + 1,1 OHM
for vehicles with manually regulated heater
for vehicles with manually regulated air conditioner

- 701907521

blower control
for vehicles with electronically regulated air condit.
for vehicles with 2nd evaporator

- N 90504802

hexagon head bolt (combi) / M4X13

2 701819032

heat exchanger
use if required: / 701 907 543 B

2A 701907543B

temperature sensor
for vehicles with electronically regulated air condit.
for vehicles with 2nd heat exchanger

2B 7D0819069

gasket / 810X25X6
shorten to: / 665MM

3 703819066

frame
for vehicles with 2nd. heat exchanger and warm air vent under 1st. seat bench
703819066 01C satin black

4 703819110C

air vent
for vehicles with 2nd. heat exchanger and warm air vent under 1st. seat bench
703819110C 01C satin black

5 701819111

air vent / upper
for vehicles with 2nd. heat exchanger and warm air vent passenger compartment step
701819111 01C satin black
replacement: / 7D0 819 111 A
/ (01C)
/ or
/ 7D0 819 111
/ (01C)

- 7D0819111A

air vent / upper
7D0819111A 01C satin black
for vehicles with auxiliary heater

- 7D0819111

air vent / upper
for vehicles with 2nd. heat exchanger and warm air vent passenger compartment step
7D0819111 01C satin black

- N 0139575

oval head panel screw / B3,5X9,5 / MULTIVAN

6 701819112

air vent / lower
for vehicles with 2nd. heat exchanger and warm air vent passenger compartment step
701819112 01C satin black

7 703819114

handle
for vehicles with 2nd. heat exchanger and warm air vent under 1st. seat bench
703819114 01C satin black

8 701819126

gasket
for vehicles with partition
for vehicles with 2nd. heat exchanger and warm air vent passenger compartment step

9 701819132

connecting elbow
for models without sliding door
use if required: / 701 819 479

- 701819479

gasket

10 701819144

trim
for models without sliding door
701819144 01C satin black

10 701819144

trim
for vehicles with sliding door
F >> 70-T-060 000*
701819144 01C satin black

10A 701819144B

trim
for vehicles with sliding door
F 70-T-060 001>>*
701819144B 01C satin black

11 701819167

electric fan motor
for vehicles with 2nd. heat exchanger and warm air vent passenger compartment step

(11) 703819167

electric fan motor
for vehicles with 2nd. heat exchanger and warm air vent under 1st. seat bench

12 701819219

intake duct
for vehicles with sliding door
F >> 70-T-060 000*

(12) 7D1819223

intake duct
for vehicles with sliding door
F 70-T-060 001>>*

13 701819442

elbow / upper
for models without sliding door

(13) 705819442

elbow / upper
for models without sliding door
for vehicles with 2nd. heat exchanger and warm air vent under 1st. seat bench

14 701819461

elbow / lower
for models without sliding door

15 701819480

gasket
for models without sliding door

16 701819480A

gasket / lower
for models without sliding door

17 701819862

gasket
heat exchanger

18 701819871

gasket
water box

(19) 701819885C

tube / feed/return
also use: / N 906 640 01
/ POS.(32)

(21) 701819895A

water hose / feed
for vehicles with 2nd. heat exchanger and warm air vent passenger compartment step

21 703819895

water hose / feed
for vehicles with 2nd. heat exchanger and warm air vent under 1st. seat bench

(23) 701819896A

water hose / return
for vehicles with 2nd. heat exchanger and warm air vent passenger compartment step

23 703819896

water hose / return
for vehicles with 2nd. heat exchanger and warm air vent under 1st. seat bench

23A N 0115562

washer / 5,3X9,5X1

24 N 0139594

oval head panel screw / 3,5X16

(24) N 0139575

oval head panel screw / B3,5X9,5

25 N 0139755

oval head panel screw / ST4,8X19

26 N 0154581

snap nut / B4,8X19X16

27 N 0164031

spring-type clip / 27

28 N 0245132

pipe clip / A90-110X9

28A N 0139781

oval head panel screw / B4,8X55

29 N 0439702

panel screw / B3,5X22

30 N 90312901

oval head panel screw (combi) / B4,2X22

32 N 90474101

threaded bush / 5
F >> 70-T-011 911

(32) N 90664001

hexagonal nut / 5
F 70-T-011 912>>

33 N 90497301

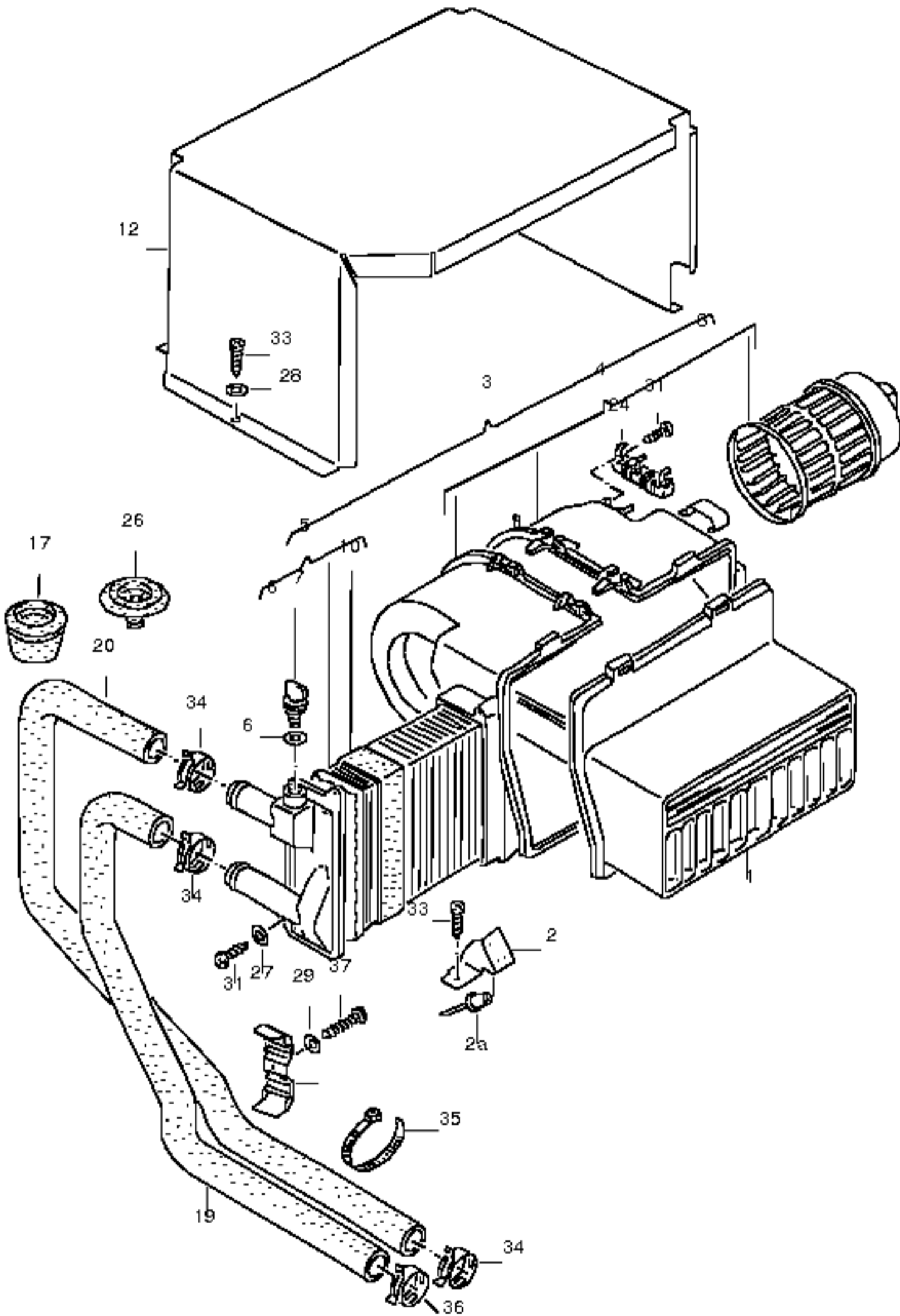
panel screw / M3,5X35

38 701907113

retainer
for vehicles with electroni- cally regulated air condit.
for vehicles with 2nd evaporator
use if required: / N 013 957 5

41 N 90130801

fillister hd. bolt / E4,2X16
series resistor
additional heat exchanger
see illustration: / 963-10
switch for additional heater
fresh air and heater controls
see illustration: / 963-10
blower control
for vehicles with electroni- cally regulated air condit.
for vehicles with 2nd evaporator
see illustration: / 963-10



additional heater in passenger compartment / double cab

1 253265581
air distribution housing

2 255265583
retainer / left

(2) 255265584
retainer / right

2A N 0162171
cup rivet / A3,2X12,5

4 867819015A
blower

5 729819032
heat exchanger

6 867819037
seal

7 861819039
bleeder screw

8 321819059
clips

10 321819109
gasket / 575X10X5MM

(11) 701819379A
retainer

(12) 729819349A
covering

17 729819872
grommet

(19) 729819895A
water hose / feed

(20) 729819896A
water hose / return

24 867959131
resistor

26 147971915
grommet / 39,5/8

27 N 0115227
washer / A4,3X9X0,8

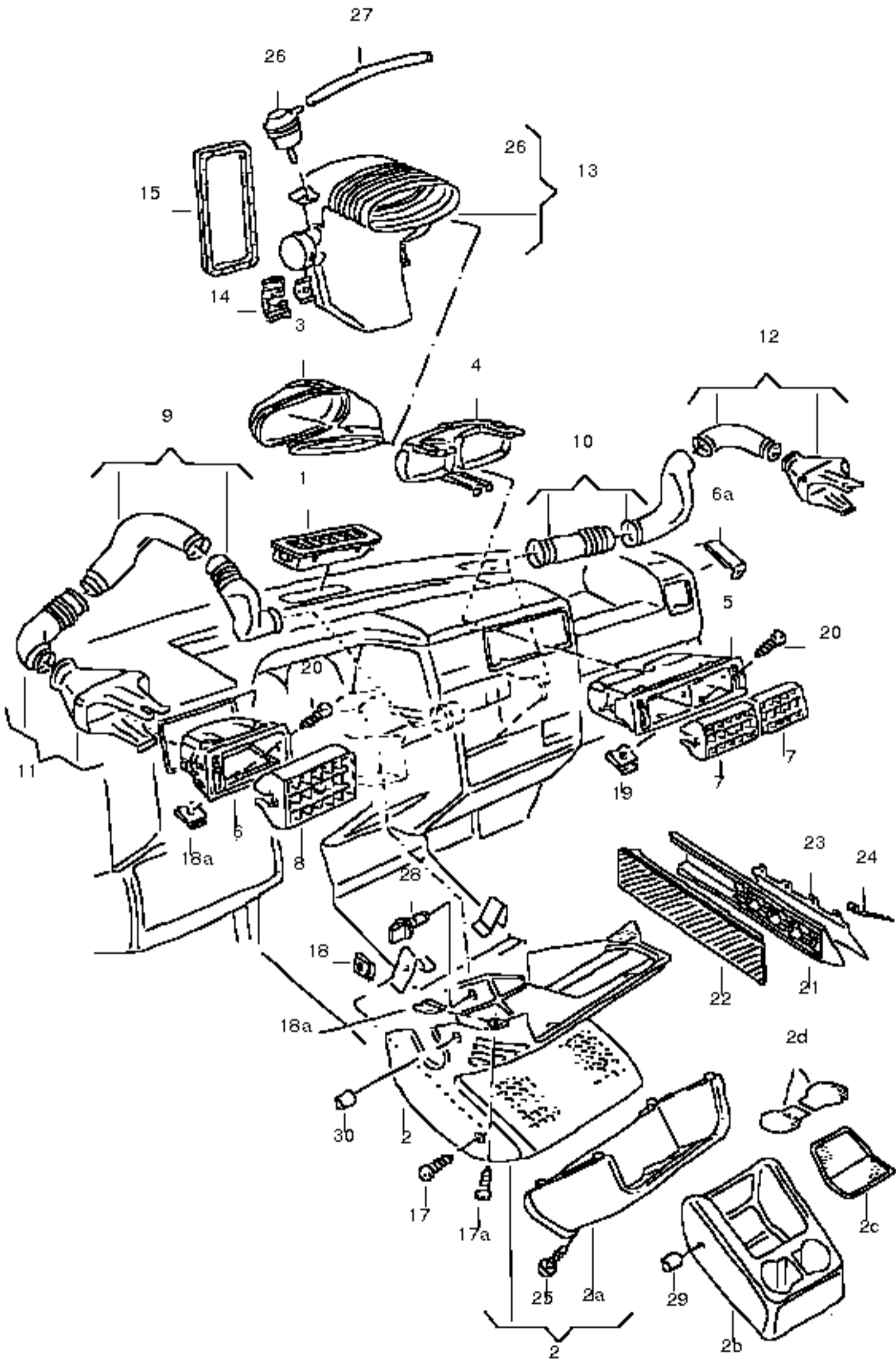
28 N 01152318
washer / A5,3X10X1

31 N 0139622
oval head panel screw / ST3,9X16-C

33 N 0139705
oval head panel screw / B4,8X9,5

34 N 0164031
spring-type clip / 27

35 N 0209022
cable tie / 6X246



air and footwell heater ducts, air hoses and vents

1 701819071

air vent / left

701819071 F09 neptune blue

701819071 7XM medium grey

701819071 8XR sahara

(1) 701819072

air vent / right

701819072 F09 neptune blue

701819072 7XM medium grey

701819072 8XR sahara

(1) 705819071

air vent / left

for models with padded dashboard

705819071 F09 neptune blue

705819071 7XM medium grey

705819071 8XR sahara

(1) 705819072

air vent / right

for models with padded dashboard

705819072 F09 neptune blue

705819072 7XM medium grey

705819072 8XR sahara

2 7D1819151

footwell vent / lhd

7D1819151 01C satin black

(2) 7D1815141

footwell vent with shelf / lhd

7D1815141 01C satin black

705815141 01C satin black

(2) 7D1820151

footwell vent / lhd / air condit.

7D1820151 01C satin black

(2) 7D1815141

footwell vent with shelf / lhd

7D1815141 01C satin black

(2) 7D1816141A

footwell vent with shelf / lhd

for vehicles with electronically regulated air condit.

7D1816141A 01C satin black

(2) 7D2819151A

footwell vent / rhd

also use: / 7D2 819 582 B

7D2819151A 01C satin black

- 7D2819582B

cover under dashboard / rhd

(drivers side)

central electrics

702819151 01C satin black

(2) 7D2815141A

footwell vent with shelf / rhd

also use: / 7D2 819 582 B

7D2815141A 01C satin black

- 7D2819582B

cover under dashboard / rhd

(drivers side)

central electrics

(2) 7D1820151

footwell vent / lhd / air condit.

7D1820151 01C satin black

(2) 702820151

footwell vent / rhd / air condit.

702820151 01C satin black

(2) 706816141

footwell vent with shelf / rhd / air condit.

706816141 01C satin black

2A 705858337

shelf/stowage compartment / lhd

705858337 01C satin black

2A 706858337

shelf/stowage compartment / rhd

706858337 01C satin black

3 7D1819389

air guide / lhd

(3) 7D2819389

air guide / center rhd

5 191819704F

housing for air vent / center

191819704F 01C satin black

6 701819704

housing for air vent

701819704 01C satin black

6A 702819735

retainer / rhd

AUSSTROEMER-SEITLICH. / right

7 701819707A

rotary insert / center

701819707A 01C satin black

8 191819707E

rotary insert

191819707E 01C satin black

9 701819715

air guide / left lhd

(9) 701820715

air guide / left lhd / air condit.

(9) 702819715

air guide / left rhd

(9) 7D2820723

air guide / left rhd / air condit.

10 701819716

air guide / right lhd

(10) 7D1820724

air guide / right lhd / air condit.

(10) 702819716

air guide / right rhd

(10) 702820716

air guide / right rhd / air condit.

(11) 701819691A

air guide / left lhd

(11) 702819691A

air guide / left rhd

(12) 701819692A

air guide / right lhd

(12) 702819692A

air guide / right rhd

(13) 7D1820363

air guide / lhd / air condit.

(13) 7D2820363

air guide / rhd

for vehicles with electronically regulated air condit.

for vehicles with manually regulated air conditioner

13 7D1820363A

air guide / lhd

for vehicles with electronically regulated air condit.

14 701820735

clips

15 321820061D

gasket / 1220X12X10

shorten to: / 570MM

17 N 90486501

fillister hd. bolt / M4X30

17A N 90448401

fillister hd. bolt / M4X15

18 N 90650101

snap nut / 3,1X16,5X11

18A N 90512701

snap nut / B3,2X27.2X24

19 N 90282501

snap nut / 3,1X13X11,5

20 N 90446801

panel screw / 4X15

21 707819465

frame / left

(21) 707819466

frame / right

22 707819467

vent trim

707819467 01C satin black

23 707819469

non-return flap

24 707819477

limit stop

25 N 01396626

oval head panel screw / 4,2X13STC

26 357820672

vacuum unit / lhd

air guide

for vehicles with electronically regulated air condit.

- N 0180571

hose in coils of 5m 'order unit 5' / 2,5X1,75

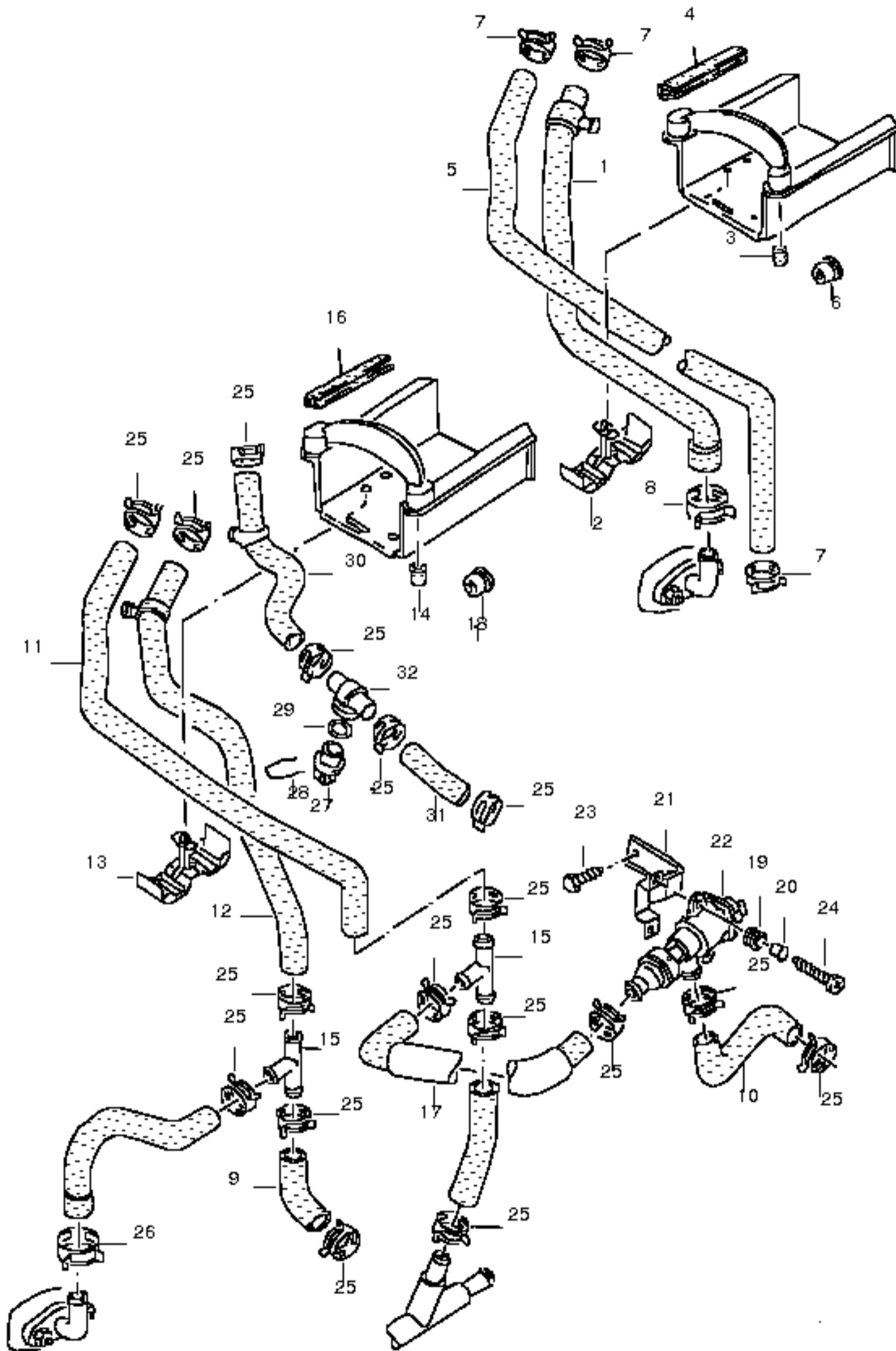
for vehicles with electronically regulated air condit.

shorten to: / 740MM

28 701907543

temperature sensor

for vehicles with electronically regulated air condit.



air condit.

water hoses

2 701819379A

retainer

3 701819394

protective cap

4 701947149A

beading / 100MM

5 701820053

water hose / return / 5-cylinder
/ 4 cylinder: / AAC

(5) 702819373A

water hose / return / 5-cylinder
/ rhd

(5) 702819373D

water hose / return / 4 cylinder:
/ rhd / AAC

(5) 707819373

water hose / return / pick-up
for vehicles with additional heater

6 701820992

plug

7 N 0164031

spring-type clip / 27

8 N 0164041

spring-type clip / 32

- 707819433D

distributor / pick-up / 5 cylinder:
for vehicles with / ACU,AAB,AEN
additional water pump
additional heater

- 707819433C

distributor / pick-up / 4 cylinder:
for vehicles with / AAC,ABL,1X
additional water pump
additional heater

air condit.

water hoses

for vehicles with 2nd heat exchanger

9 701819371A

water hose / feed
(heat exchanger > water pipe)

10 701819372C

water hose / return
(heater valve > heat exchanger)

11 701819373A

water hose / return / AAB,AAC,ACU,
(heater valve > heat exchanger) / lhd / AEN,1X

(11) 702819373E

water hose / return
(heater valve > heat exchanger) / rhd

12 701819378C

water hose / feed
/ lhd

(12) 707819378

water hose / feed / pick-up

(12) 702819378C

water hose / feed / 4 cylinder: / rhd / AAC,1X
/ 5 cylinder:
/ AAB,ACU,AEN

13 701819379A

retainer

14 701819394

protective cap

15 701819876

t-piece

16 701947149A

beading / 100MM

17 701820588B

water hose / return
(heater valve > water pipe)

18 701820992

plug

19 701820997

grommet

20 701820998

sleeve

(21) 701820999A

retainer
F >> 70-T-007 000*

(21) 701820999B

retainer
F 70-T-007 001>>*

22 701963375

valve
electric

- 028906283

solenoid change-over valve / black
for vehicles with electronically regulated air condit.

23 N 0138905

hexagon head panel screw / ST6,3X13-C
F >> 70-T-007 000*

(23) N 0139655

oval head panel screw / B4,2X9,5
F 70-T-007 001>>*

24 N 0140963

oval hd. csk. self-tapp. screw / ST4,2X22-C

25 N 0164031

spring-type clip / 27

26 N 0164041

spring-type clip / 32

27 251919501D

temperature sender / 2 pin
for coolant temperature gauge / green/black
/ 20MM
for vehicles with electronically regulated air condit.

28 032121142

retaining spring
for vehicles with electronically regulated air condit.

29 N 90316802

round seal / 19,6X3,6
for vehicles with electronically regulated air condit.

30 701820379

water hose / feed
for vehicles with electronically regulated air condit. / lhd

31 701820380

water hose / feed
for vehicles with electronically regulated air condit. / lhd

32 4A0819497

t-piece
for vehicles with electronically regulated air condit.

air condit.

water hoses

additional heater

for vehicles with 2nd heat exchanger

1 701819179

retainer

(2) 701819179

retainer

3 701819371A

water hose / feed

(heat exchanger > water pipe)

4 701819372C

water hose / return

(heater valve > heat exchanger)

5 701819373A

water hose / return

(heater valve > heat exchanger) / lhd

(5) 702819373E

water hose / return

(heater valve > heat exchanger) / rhd

6 701819373D

water hose / return

(7) 701819373J

water hose / return

8 701819378C

water hose / feed

/ lhd

(8) 707819378

water hose / feed / pick-up

(8) 702819378C

water hose / feed / 4 cylinder:

/ rhd / AAC,1X

/ 5 cylinder: / AAB,ACU,AEN

9 701819379A

retainer

10 701819394

protective cap

(11) 701819433H

distributor / 5 cylinder:

for vehicles with / ACU,AAB,AEN

additional water pump

(11) 701819433F

distributor / pick-up / 4 cylinder:

for vehicles with / AAC

additional water pump

12 701819876

t-piece

13 701819876A

angled piece / return

14 701947149A

beading / 100MM

15 701820588B

water hose / return

(heater valve > water pipe)

16 701820992

plug

17 701820997

grommet

18 701820998

sleeve

19 701820999A

retainer

20 701963375

valve

electric

21 N 0138905

hexagon head panel screw / ST6,3X13-C

22 N 0139671

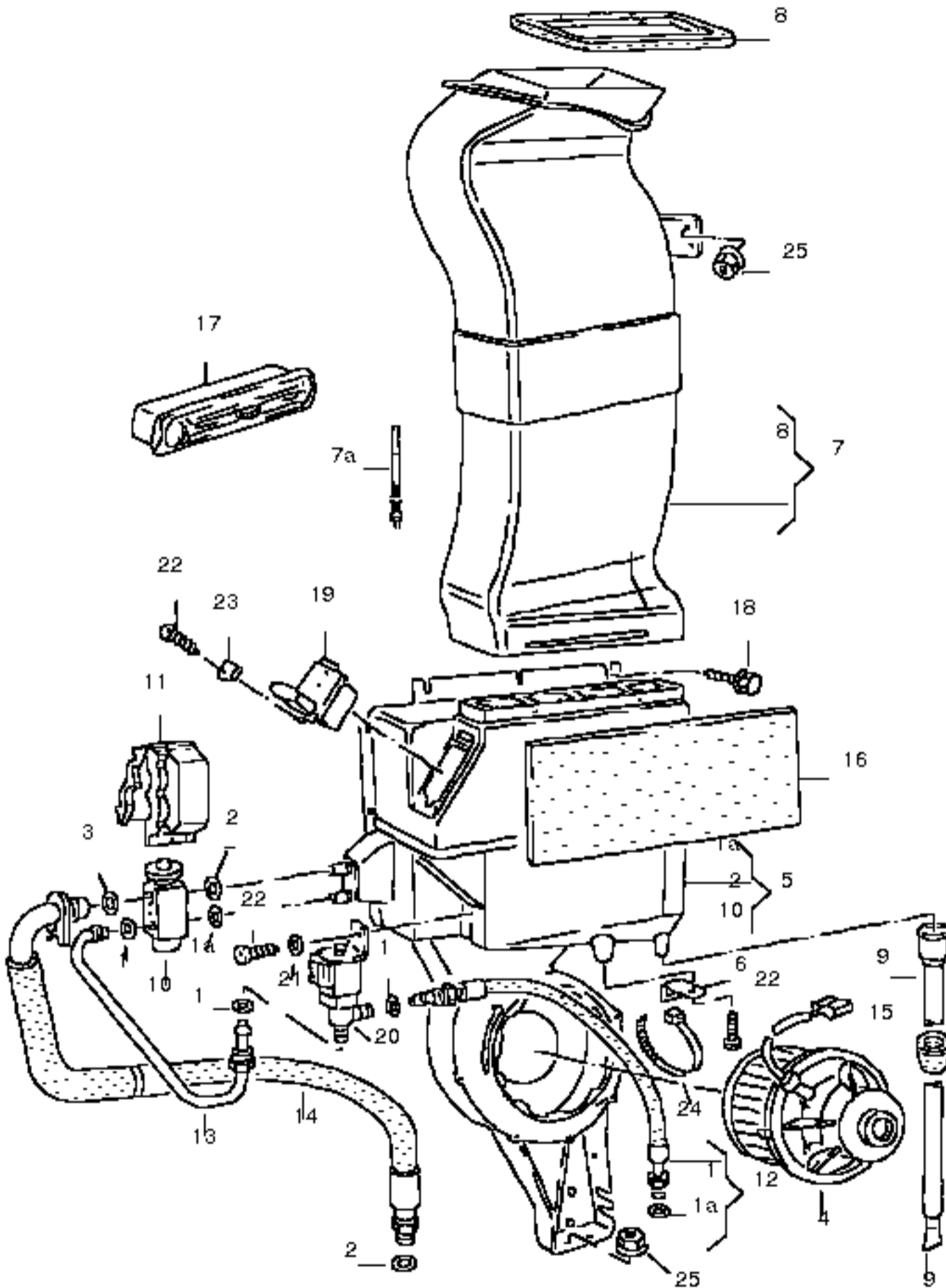
oval head panel screw / B4,2X19-C

23 N 0164031

spring-type clip / 27

24 N 0164041

spring-type clip / 32



air distribution housing / rear
 evaporator
 blower
 for refrigerant: / R134A

1 8A0260749AK
 round seal / 7,6X11,16

1A 8A0260749AJ
 round seal / 10,8X1,8

2 8A0260749AH
 round seal / 14X17,65

3 1J0820749B
 round seal / 17,20X1,85

4 701819021B
 blower

- 191819598
 plug

(5) 7D0820121
 evaporator

6 703820137
 retainer

(7) 703820157A
 air duct

- 141951253B
 relay

- 701965581
 thermostat

(8) 7D0820190
 gasket for air duct

9 703820637
 water drain hose

(10) 701820679D
 expansion valve / R134A

11 701898017
 insulating piece

12 7D0820741
 refrigerant hose
 solenoid valve
 refrigerant compressor

13 703820742A
 refrigerant pipe
 solenoid valve
 expansion valve

(14) 7D0820743
 refrigerant hose
 (expansion valve > refrigerant compressor)

15 701820751B
 grommet

16 -----
 no longer available

17 703820951A
 air vent
 for vehicles with 2nd evaporator

703820951A Y20
 pearl grey
 703820951A 5YX beige

18 311821143
 hex. hd. self-tap bolt (combi) / 6,5X21,5

19 701959263A
 series resistance for fresh air and hot air blower / 1,9/0,92/0,26

(19) 1J0907521
 blower control
 for vehicles with electroni- cally regulated air condit.

20 701959267
 solenoid valve
 refrigerant circuit

21 N 0115402
 washer / A5,5X12,5X1,6

22 N 01396626
 oval head panel screw / 4,2X13STC

23 N 0154592
 snap nut / B4,2X9,8X8

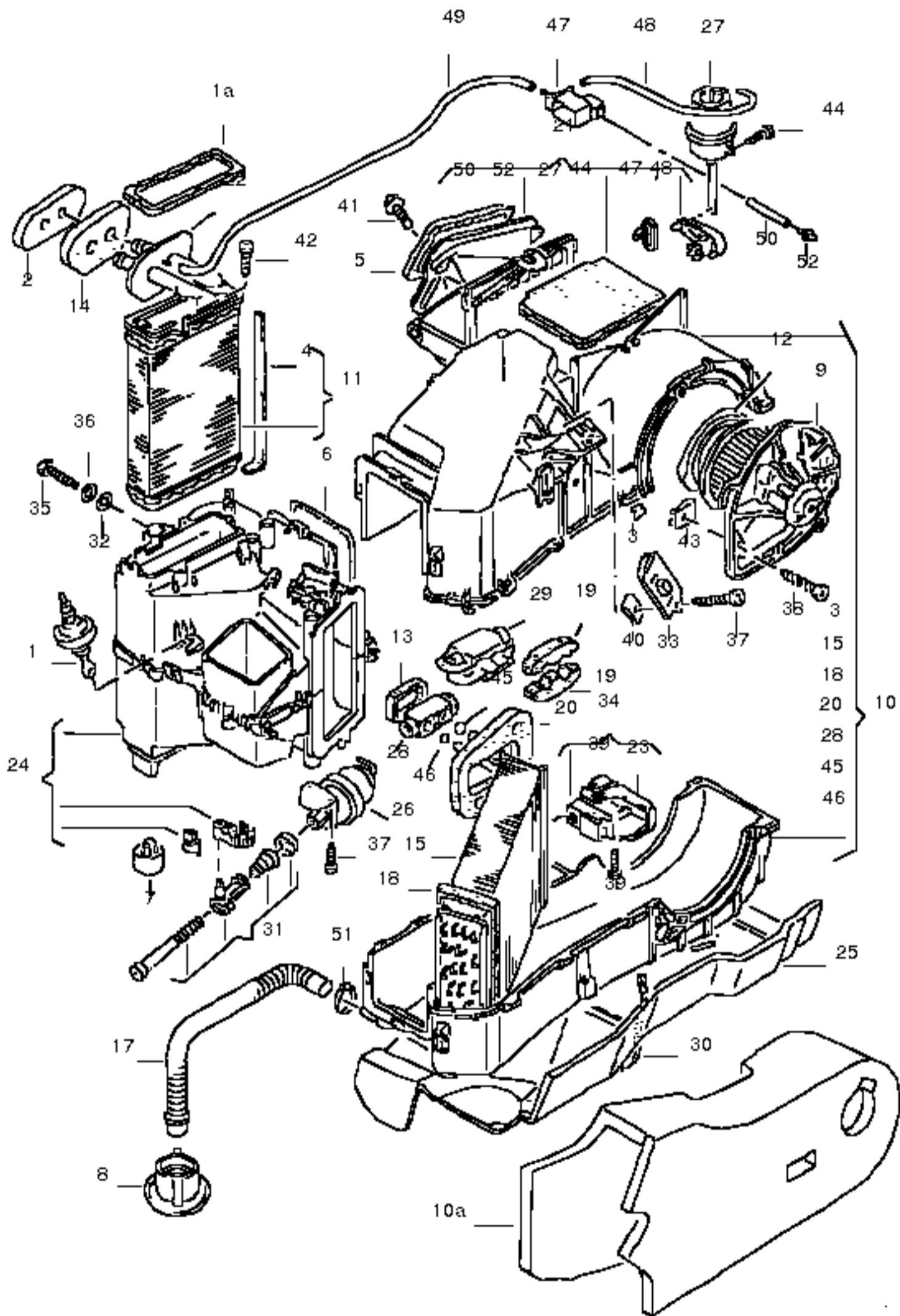
24 N 0209022
 cable tie / 6X246

25 171201969
 hexagon nut, shouldered / 5

- 705820089
 retaining plate for lining / air condit.
 see illustration: / 809-55

26 7D0820891
 retainer
 expansion valve

27 N 0199091
 cheese head bolt / M5X35



air distribution housing / air condit.

evaporator housing

evaporator

blower

(1) 191820677B

vacuum unit

1A 321819017

gasket / 680X8X10

2 1H0819019

gasket

3 321819059

clips

4 7D0819069

gasket / 810X25X6

5 191820129

gasket / 550X12X6

6 191819370

gasket

7 191819398

clip

(8) 1H0820119

water drain valve

9 357820021

blower / lhd

(9) 894820021

blower / rhd

(10) 702820023A

evaporator housing / rhd

(10) 701820023B

evaporator housing / lhd / AAC

(10) 701820023C

evaporator housing / lhd / ACU,AAB

10A 701815083B

sound absorber / lhd / 1Z

(10A) 702815083A

sound absorber / rhd / 1Z

air distribution housing

11 701820031

heat exchanger / lhd

(11) 702820031

heat exchanger / rhd

12 191820048

ring

13 321820061D

gasket / 1220X12X10

shorten to: / 95MM

14 701820099

gasket

heat exchanger

no longer available

(17) 701820124B

water drain pipe

18 191820129

gasket / 550X12X6

shorten to: / 550MM

19 191820133

gasket / lhd

20 191820139

gasket

21 7D1820153

intake shaft / lhd

(21) 7D2820153

intake shaft / rhd

22 191820281

reinforcement plate

23 191820298A

protective cap

24 701820351

connection box / lhd

(24) 702820351

connection box / rhd

26 191820676A

vacuum unit

control flap

27 701820677

vacuum unit / lhd

(27) 702820627

vacuum unit / rhd

(28) 701820679D

expansion valve / R134A

30 191820845

tensioning strap

31 191898013

mounting parts for vacuum unit

32 803955637

sealing washer

33 701959263A

series resistance for fresh air and hot air blower / 1,9/0,92/0,26

(34) 357820295B

thermostat with protective cap

35 N 01021710

hexagonal head bolt / M6X20

36 N 0115476

washer / A6,5X14X1,6

37 N 0139655

oval head panel screw / B4,2X9,5

38 N 0139694

oval head panel screw / B4,8X16

39 N 0140993

oval hd. csk. self-tapp. screw / ST4,8X13-C

40 N 0154421

snap nut / B4,2X12,8X11

41 N 10080102

allen key head bolt (combi) / M6X25

42 N 90130801

fillister hd. bolt / E4,2X16

43 N 90276701

snap nut / ST4,8X14,25

(44) N 0102044

hexagonal head bolt / M4X10

45 8A0260749AH

round seal / 14,00X17,65

for refrigerant: / R134A

46 8A0260749AJ

round seal / 10,80X1,82

for refrigerant: / R134A

47 028906283

solenoid change-over valve / black

- N 0180571

hose in coils of 5m 'order unit 5' / 2,5X1,75

shorten to: / 150MM

shorten to: / 950MM

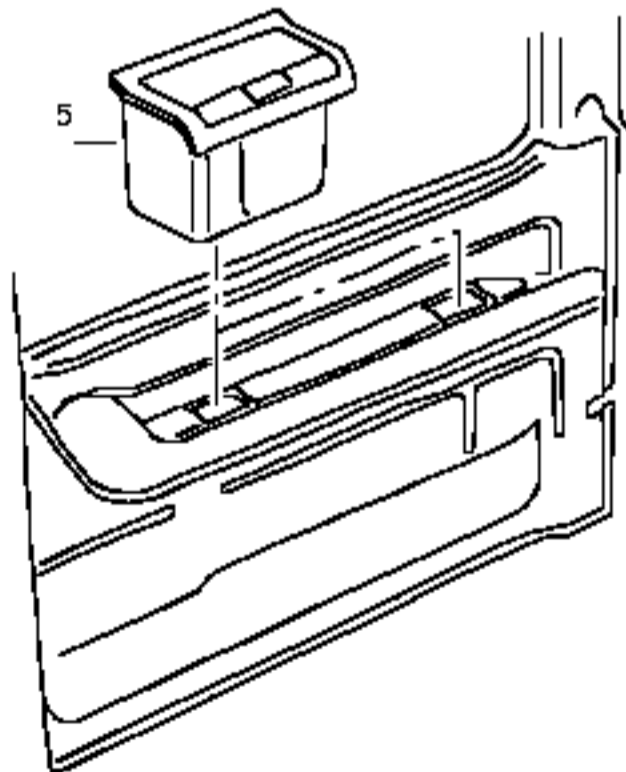
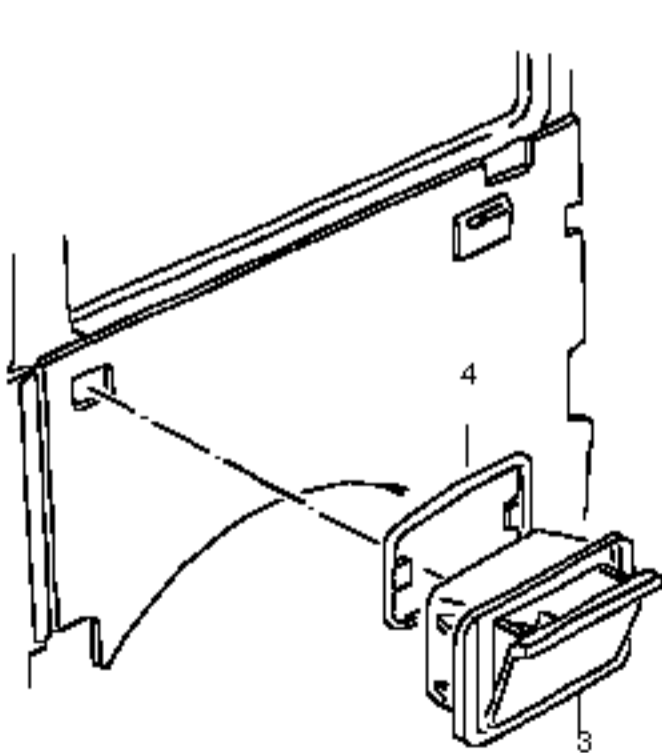
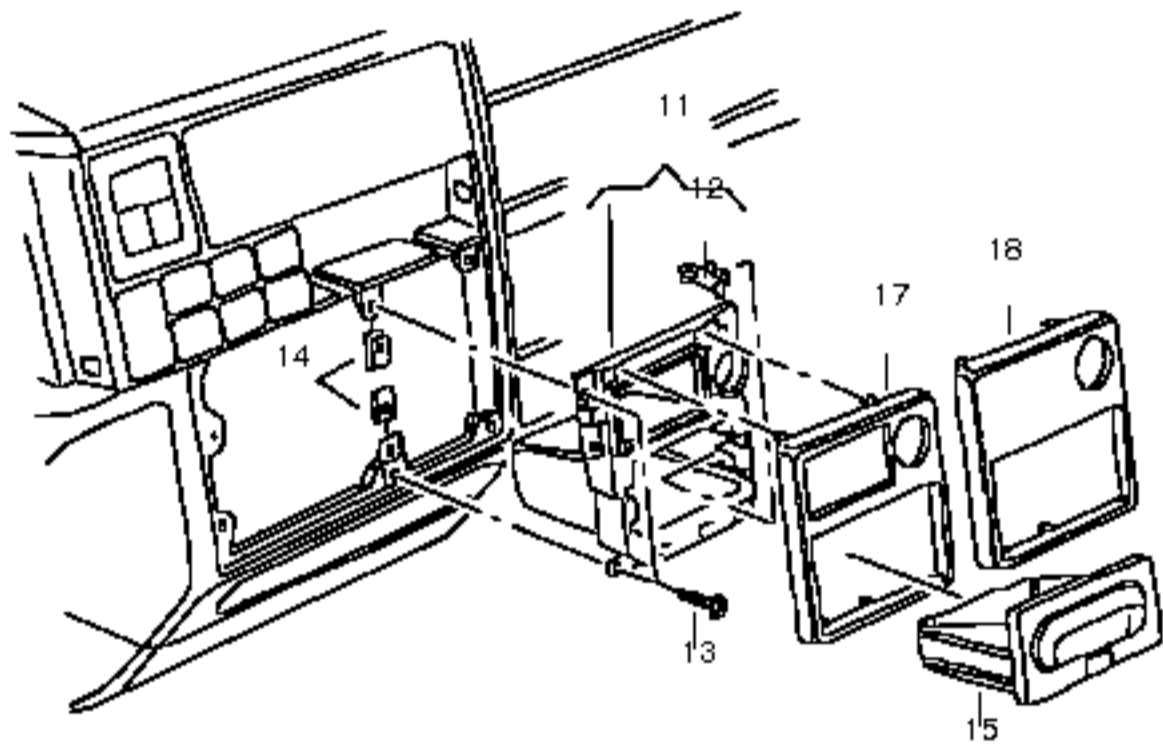
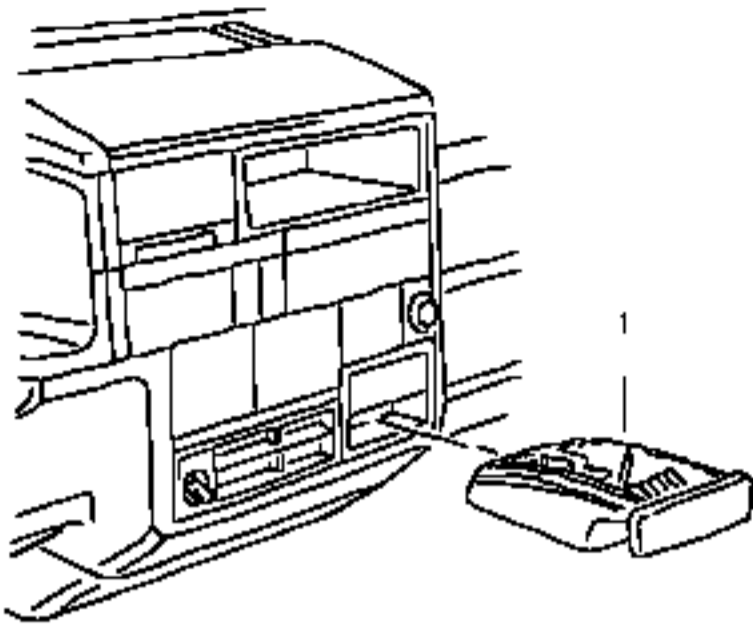
shorten to: / 50MM

51 N 10098601

spring-type clip / 17

52 7D0819036

choke



ashtray

(1) 600857331

ashtray

600857331 01C satin black

3 811857405

ashtray

811857405 01C satin black

(3) 321857405

ashtray / MULTIVAN

321857405 01C satin black

4 281857441

base

281857441 01C satin black

5 705857405

ashtray

705857405 01C satin black

5 705857405

ashtray / MULTIVAN

705857405 01C satin black

backrest / front
head restraints

1 701881045AE
frame - backrest with lumbar support / left
(prepared for armrest)

(1) 701881046AA
frame - backrest with lumbar support / right
(prepared for armrest)
F >> 70-T-045 000*

(1) 701881046AA
frame - backrest with lumbar support / right
(prepared for armrest)
F 70-T-045 001>>*

2 701881046A
backrest frame
2 seater

3 N 0147804
cheese head bolt / M6X15

4 701881081
armrest (cloth) / left / PR-N0A
701881081 DNB beaver/light grey / -UA,WE
701881081 DNC beaver/sahara / -UD,WH,ZZ

(4) 701881081B
armrest (cloth) / left / PR-N0A
701881081B DNB beaver/light grey / -UA,WE
701881081B DNC beaver/sahara / -UD,WH,ZZ

(4) 701881082
armrest (cloth) / right / PR-N0A
701881082 DNB beaver/light grey / -UA,WE
701881082 DNC beaver/sahara / -UD,WH,ZZ

(4) 701881082B
armrest (cloth) / right / PR-N0A
701881082B DNB beaver/light grey / -UA,WE
701881082B DNC beaver/sahara / -UD,WH,ZZ

(4) 701881081A
armrest (cloth/leatherette) / left / PR-N0J
701881081A CEF dark grey / -BR

(4) 701881081C
armrest (cloth/leatherette) / left / PR-N0J
701881081C CEF dark grey / -BR

(4) 701881082A
armrest (cloth/leatherette) / right / PR-N0J
701881082A CEF dark grey / -BR

(4) 701881082C
armrest (cloth/leatherette) / right / PR-N0J
701881082C CEF dark grey / -BR

(4) 703881081
armrest / left / camp- mobile
703881081 BHM light grey / -GH,FN,FR / PR-N2E

(4) 703881081G
armrest / left / PR-N1Q
703881081G BHM light grey / -FN

(4) 703881082
armrest / right / camp- mobile
703881082 BHM light grey / -GH,FN,FR / PR-N2E

(4) 703881082G
armrest / right / PR-N1Q
703881082G BHM light grey / -FN

(4) 703881081B
armrest / left / PR-N2U,N2W
703881081B CDS light grey / -DE,DG

(4) 703881081J
armrest / left / PR-N2U,N2W
703881081J CDS light grey / -DE,DG

(4) 703881082B
armrest / right / PR-N2U,N2W
703881082B CDS light grey / -DE,DG

(4) 703881082J
armrest / right / PR-N2U,N2W
703881082J CDS light grey / -DE,DG

(4) 703881081D
armrest (cloth) / left / PR-N4N
703881081D FAK grey blue/cactus / -21

(4) 703881081E
armrest (cloth) / left / PR-N4N
703881081E FAK grey blue/cactus / -21

(4) 703881082D
armrest (cloth) / right / PR-N4N
703881082D FAK grey blue/cactus / -21

(4) 703881082E
armrest (cloth) / right / PR-N4N
703881082E FAK grey blue/cactus / -21

(4) 703881081C
armrest (cloth) / left / ALLSTAR
703881081C DGW light grey / -02

(4) 703881081H
armrest (cloth) / left / ALLSTAR
703881081H DGW light grey / -02

(4) 703881082C
armrest (cloth) / right / ALLSTAR
703881082C DGW light grey / -02

(4) 703881082H
armrest (cloth) / right / ALLSTAR
703881082H DGW light grey / -02

(4) 705881081
armrest / left / PR-N0F
705881081 AGU light grey / -ES,BC
705881081 AGV neptune blue / -EF
705881081 AGW sahara / -ET,BF

(4) 705881081B
armrest / left / PR-N0F
705881081B AGU light grey / -ES,BC
705881081B AGV neptune blue / -EF
705881081B AGW sahara / -ET,BF

(4) 705881082
armrest / right / PR-N0F
705881082 AGU light grey / -ES,BC
705881082 AGV neptune blue / -EF
705881082 AGW sahara / -ET,BF

(4) 705881082B
armrest / right / PR-N0F
705881082B AGU light grey / -ES,BC
705881082B AGV neptune blue / -EF
705881082B AGW sahara / -ET,BF

5 N 0147263
allen key head bolt / M8X30

6 701881223A
locking lever / left
2 seater
701881223A 01C satin black

(6) 701881224A
locking lever / right
2 seater
701881224A 01C satin black

7 N 90470101
cheese head bolt / M10X11

8 701881477
trim without hole / left
701881477 01C satin black

(8) 701881478
trim without hole / right
701881478 01C satin black

9 701881477A
lining
for dual passenger seat
701881477A 01C satin black

(9) 701881478A
lining
for dual passenger seat
701881478A 01C satin black

10 701881479
trim with hole / left
701881479 01C satin black

(10) 701881480
trim with hole / right
701881480 01C satin black

11 701881561
connecting rod
for dual passenger seat

12 357881671
adjustment knob
357881671 4FB black

- 171881499
dished washer

- 357881687
retaining plate f. rotary knob

13 701881755
rear panel trim
for dual passenger seat

14 N 0161992
pop-rivet / A3,2X10X8

15 701881757A
protective cover

- N 0152611
clips / 20X1,8

16 701881775B
padding for backrest

17 701881776
padding for backrest
for dual passenger seat

18 705881797
grab handle
705881797 2VW light grey
705881797 5KH neptune blue
705881797 9XW sahara

19 N 0139705
oval head panel screw / B4,8X9,5

20 N 0439351
oval head panel screw / B6,3X38-C

21 703883455BD
backrest cover (leatherette) / PR-N0C
703883455BD AHA light grey / -LA,MD

(21) 701881805Q
backrest cover (leatherette) / PR-N0C
701881805Q 9XW sahara / -NA

(21) 701881805M
backrest cover (cloth/leatherette) / PR-N0J
701881805M CEF dark grey / -BR

(21) 703883455AP
backrest cover (cloth) / PR-N0A
703883455AP DNB beaver/light grey / -UA,WE
703883455AP DNC beaver/sahara / -UD,WH,ZZ

(21) 703881805N
backrest cover (cloth) / PR-N4N
703881805N FAK grey blue/cactus / -21

(21) 703883455BG
backrest cover (cloth) / ALLSTAR
/ PR-N2Z
703883455BG DGW light grey / -02

(21) 705881805H
backrest cover (cloth) / PR-N0F
705881805H AGU light grey / -ES,BC

22 701881806
backrest cover (leatherette) / PR-N0C
2 seater
701881806 AHA light grey / -LA,MD
701881806 AHB sahara / -LM,ME

(22) 701881806G
backrest cover (cloth/leatherette) / PR-N0J
2 seater
701881806G CEF dark grey / -BR

(22) 701881806H
backrest cover (cloth) / PR-N0A
2 seater
701881806H DNB beaver/light grey / -UA,WE
701881806H DNC beaver/sahara / -UD,WH,ZZ

(23) 3A0881905
head restraint, adjustable
guide rod lengthen: / 165MM

23 703881905C
head restraint

23A 357881931D
padding for head restraint / CARAVELL GL

(23A) 357881931
padding for head restraint

23B 701881717
head restraint / leatherette
for models with partition
701881717 9UW sahara / -LM,NA,BF,UD, / ZZ
701881717 9XK light grey / -LA,BR,UA

24 701881921B
cover for head restraint (leatherette) / PR-N0C
701881921B 9XT light grey / -LA,MD
701881921B 9XW sahara / -NA

(24) 701881921C
cover for head restraint (leatherette) / PR-N0J
701881921C 2VW light grey / -BR

(24) 701881921D
cover for head restraint (cloth/leatherette) / PR-N0A
701881921D DNB beaver/light grey / -UA,WE
(24) 703881921J head restraint cover (cloth) / PR-N2E,N1Q
703881921J BHM light grey / -GH,FN

(24) 703881921H
head restraint cover (cloth) / PR-N4N
703881921H FAK grey blue/cactus / -21

(25) 3A0881920
guide with push button for adjustable head restraint
3A0881920 B41 satin black

25 1H0881939
guide
1H0881939 B41 satin black

25A 443881743
clip for guide

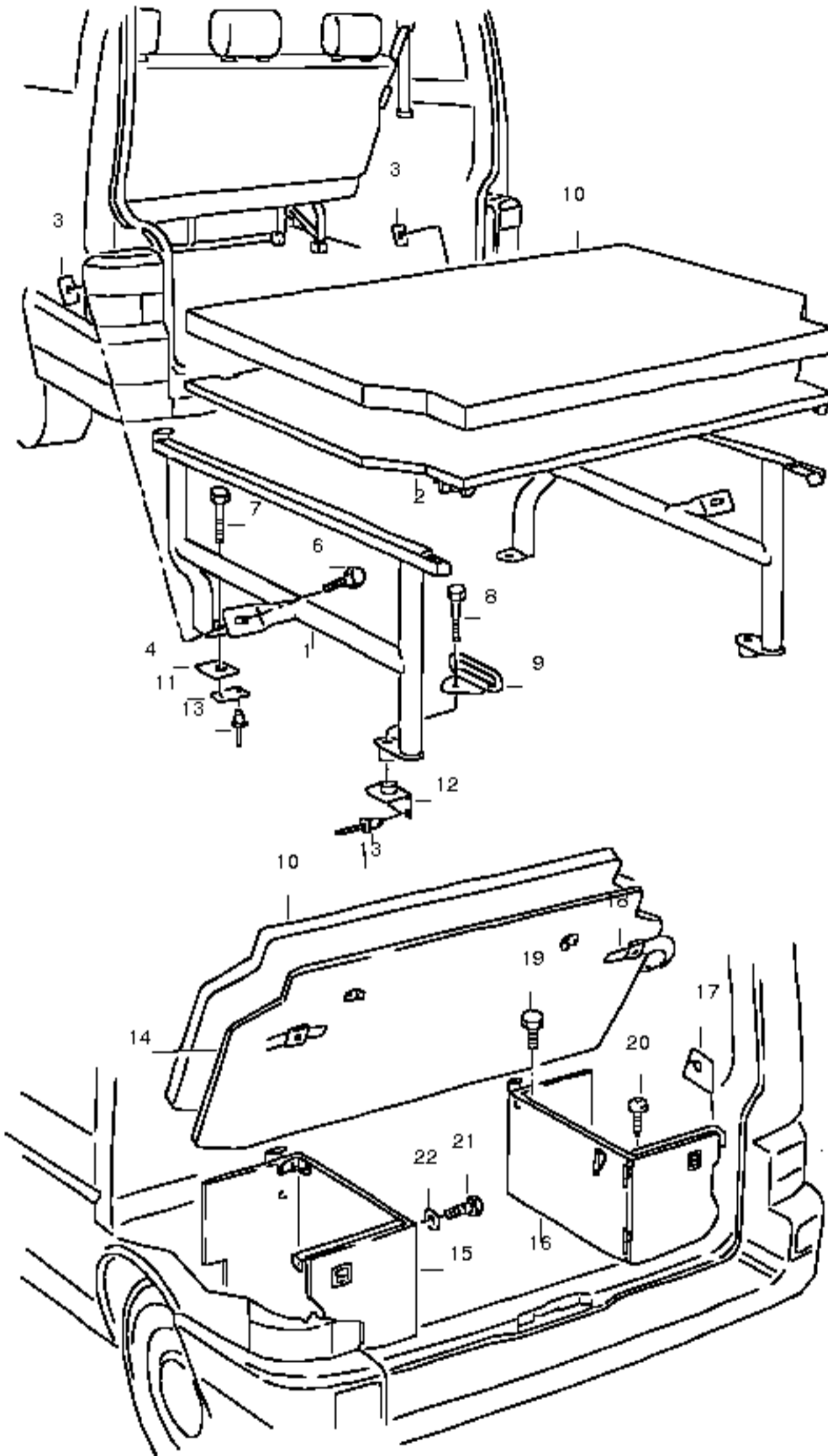
27 N 90162606
upholstery wire / 2,8X368

(27) 535885483B
upholstery wire / 2,8X520

(12) 443885717
upholstery wire / 2X480

28 701881979
plug
701881979 3KX neptune blue
701881979 9UW sahara
701881979 9XK light grey

(28) 701881979A
plug
701881979A 3KX neptune blue
701881979A 9UW sahara
701881979A 9XK light grey



bed board / MULTIVAN

1 703886605

support frame / left

/ light grey

703886605 A28 light grey

(1) 703886606B

support frame / right

703886606B A28 light grey

2 703886611

bed board

for vehicles with one evaporator

(2) 703886611A

bed board

3 703886615

securing plate

4 703886619

securing plate / lower

6 N 01023820

hexagonal head bolt / M8X15

- N 01152520

washer / A8,4X16X1,6

7 N 0104403

hexagonal head bolt / M10X40

8 N 0104522

hexagonal head bolt / BM10X52

9 701801983A

tie-down eye

10 703863413

padding / cloth / PR-N1Q

703863413 CBT light grey

(10) 703863413A

padding / cloth / PR-N1Q

for vehicles with 2nd evaporator

703863413A CBT light grey

(10) 703864413

padding / velours / PR-N2W

/ CLASSIC

703864413 CEA light grey

(10) 703864413A

padding / velours / PR-N2W

for vehicles with 2nd evaporator / CLASSIC

703864413A CEA light grey

10 703863413D

padding / ALLSTAR

/ PR-N2Z

703863413D DGY grey printed

(10) 703863413E

padding / ALLSTAR

for vehicles with 2nd evaporator / PR-N2Z

703863413E DGY grey printed

11 703883281B

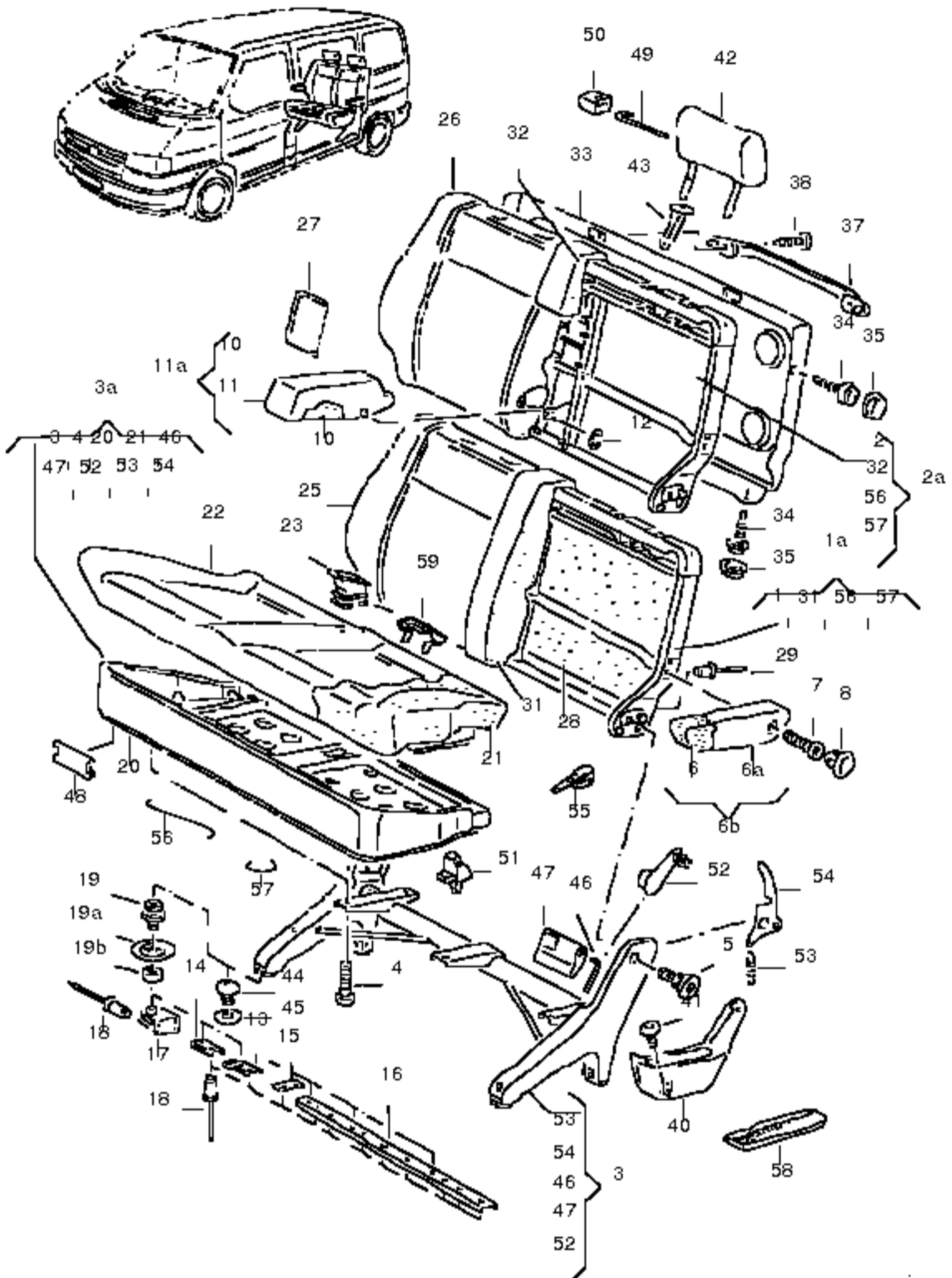
retaining plate

12 703883281D

retaining plate

13 N 90478601

pop-rivet / A4,8X11



bench seat / rear
2 seater

1 703883045
backrest frame
for vehicles without center armrest

1A 703883047A
backrest for bench seat with upholst.padd. and muslin cover /
2 seater
also use: / POS. 25

2 705883045
backrest frame
for models with center armrest

2A 705883047A
backrest for bench seat with upholst.padd. and muslin cover /
2 seater / CARAVELLE GL
also use: / POS. 26,11,33

(3) 7D0883061
seat frame
7D0883061 01A black

(3) 7D1883061A
seat frame / emer.service vehicles
7D1883061A 01A black

3A 703883037A
bench seat (without backrest) with upholstery padding,
muslin covering and underframe / 2 seater
also use: / POS. 22

4 N 01470210
allen key head bolt / M6X15

5 N 90473501
fitted bolt / M10X28

6 703883203
armrest / left

(6) 703883204
armrest / right

(6A) 703883081
armrest / left
703883081 5XV sahara / -LM,ME
703883081 9XT light grey / -LA,MD

(6A) 703883263A
armrest cover (cloth) / left
703883263A DNB beaver/light grey / -UA,WE
703883263A DNC beaver/sahara / -UD,WH

6A 705883263A
armrest cover (cloth) / left / CARAVELLE GL
705883263A AGU light grey / -ES
705883263A AGV neptune blue / -EF
705883263A AGW sahara / -ET

(6A) 703883082
armrest / right
703883082 9XT light grey / -LA,MD

(6A) 703883264A
armrest cover (cloth) / right
703883264A DNB beaver/light grey / -UA,WE

(6A) 703883264B
cover for armrest (cloth/leatherette) / right
703883264B CEF dark grey / -BR

(6A) 705883264A
armrest cover (cloth) / right / CARAVELLE GL
705883264A AGU light grey / -ES
705883264A AGV neptune blue / -EF
705883264A AGW sahara / -ET

6B 703883082
armrest / right
703883082 5XV sahara / -LM,ME

7 N 0147091
allen key head bolt / M8X22

8 701881979
plug
701881979 3KX neptune blue
701881979 9UW sahara
701881979 9XK light grey

10 705883203
packing for armrest

11 705883263
armrest cover (cloth) / CARAVELLE GL
705883263 AGU light grey / -ES
705883263 AGV neptune blue / -EF
705883263 AGW sahara / -ET

12 N 0124362
lock washer / 6

13 703883281
retaining plate

14 703883281A
retaining plate

15 703883281B
retaining plate

16 703883281C
attachment strip

17 703883281D
retaining plate
list of uses
see illustration: / 885-30

18 N 90478601
pop-rivet / A4,8X11

(19) 703883297A
attachment bolt / 23MM

(19) 723883297A
attachment bolt / 34MM

- N 0116653
washer / 5,3X15X1,6

19B 281857790
spacer bush

(19B) 703883298B
damping ring

20 703883305
seat well

21 705883375B
padding for seat

(22) 703883405
seat cover (leatherette)
703883405 AHA light grey / -LA,MD
703883405 AHB sahara / -LM,ME

(22) 703883405AF
seat cover (cloth)
703883405AFDNB beaver/light grey / -UA,WE
703883405AFDNC beaver/sahara / -UD,WH

(22) 703883405H
seat cover (cloth)
703883405H BHM light grey / -FR,GH

22 705883405A
seat cover (cloth) / CARAVELLE GL
705883405A AGU light grey / -ES

23 701881947
guide frame
701881947 01C satin black

25 703883455
backrest cover (leatherette)
703883455 AHA light grey / -LA,MD

(25) 703883455BA
backrest cover (cloth)
703883455BADNB beaver/light grey / -UA,WE

(25) 703883455L
backrest cover (cloth)
703883455L BHM
light grey / -FR,GH

26 705883455J
backrest cover (cloth) / CARAVELLE GL
705883455J AGU light grey / -ES
705883455J AGV neptune blue / -EF

27 705883499
covering / CARAVELLE GL
705883499 3KX neptune blue / -EF
705883499 9UW sahara / -ET
705883499 9XK light grey / -ES

28 703883611C
trim panel for rear panel

29 N 0161992
pop-rivet / A3,2X10X8

31 705883775
padding for backrest
for vehicles without center armrest

32 705883775B
padding for backrest
for models with center armrest

33 705883943
cover for seat backrest / CARAVELLE GL
705883943 2VW light grey / -ES
705883943 5KH neptune blue / -EF
705883943 9XW sahara / -ET

34 171867167A
panel screw / B4,2X21

35 311867169
cap for screw
311867169 U71 flannel grey
311867169 2GX balearic(blue)
311867169 2VA light beige

37 705881797
grab handle
705881797 2VW light grey
705881797 5KH neptune blue
705881797 9XW sahara

38 N 0439351
oval head panel screw / B6,3X38-C

40 705883949
shelf/stowage compartment / left
705883949 9UW sahara
705883949 J51 lagoon
705883949 U71 flannel grey

(40) 705883950
shelf/stowage compartment / right
705883950 9UW sahara
705883950 J51 lagoon
705883950 U71 flannel grey

41 191867199
plug / 20/8,5
191867199 01C satin black
head restraints
see illustration: / 881-50

(43) 1H0881939
guide
1H0881939 B41 satin black

43 357881939A
guide with push button for adjustable head restraint
/ CARAVELLE GL
357881939A 01C satin black

44 253857785
plug / M10
253857785 01C satin black

45 111857779
gasket / 28X10,4X1,5

46 703883079
wire cable

47 703883067
handle / left

(47) 703883068
handle / right

48 N 90232101
clips / 13X6X1,5

49 703885635
clip for guide

50 703885639
handle
703885639 01C satin black

51 703883163
stop buffer
703883163 01A black

52 703883069
clip

53 703883259A
tension spring

54 703883959
locating lever / left

(54) 703883960
locating lever / right

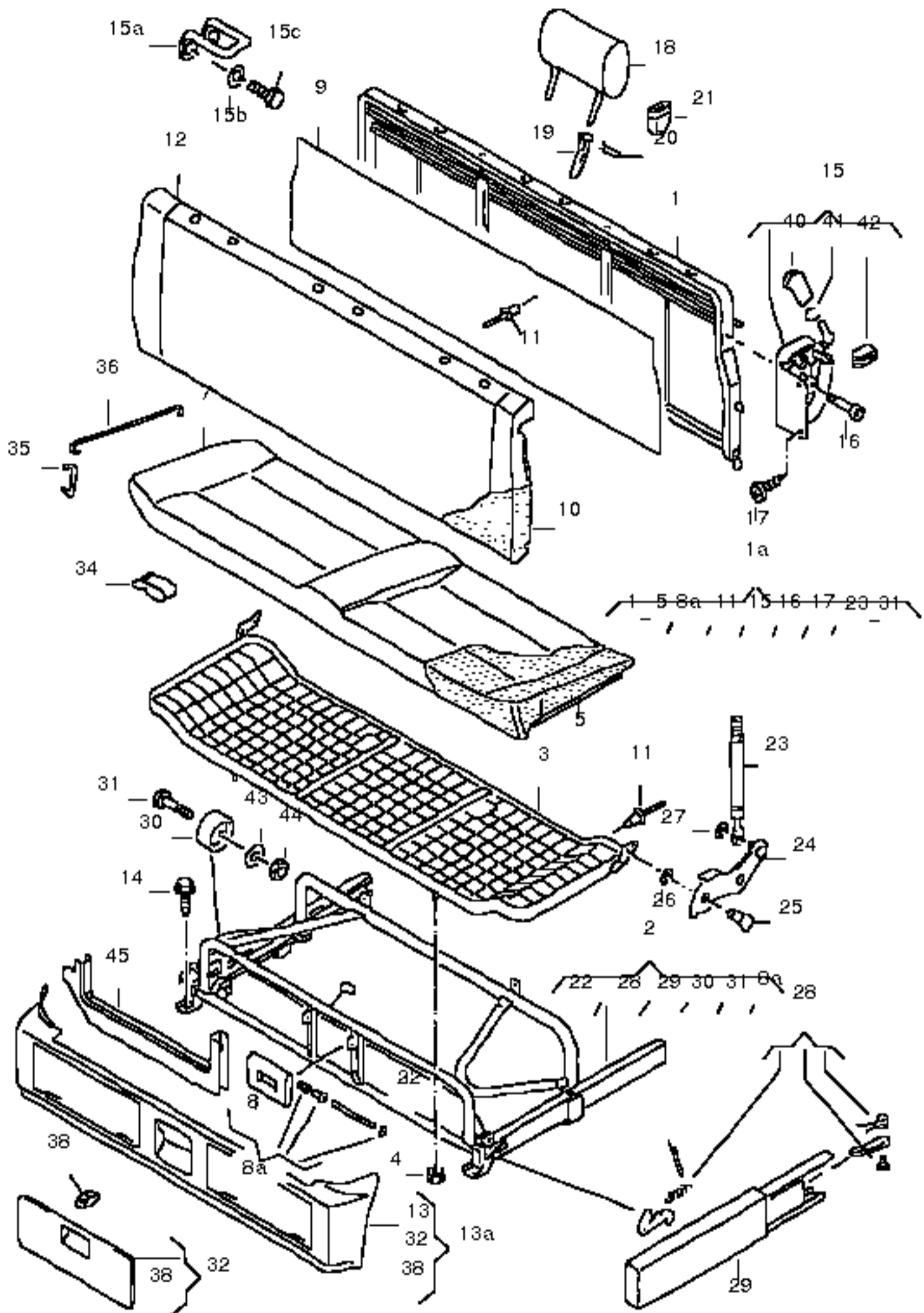
55 113881451
slide for zip fastener / 6,4

56 535885483B
upholstery wire / 2,8X520

(56) 443885717
upholstery wire / 2X480

(56) N 90162606
upholstery wire / 2,8X368

57 N 0152611
clips / 20X1,8



bench seat with hinges for bed conversion / rear / MULTIVAN

1A 703885027A

bench seat with hinges for bed conversion (complete) without covers) / PR-N1Q

(1) 703885045D

backrest frame

2 7D0885063H

seat frame

7D0885063H FDH flannel grey

3 703885305A

frame for rear seat

4 N 01100830

hexagonal nut / M8

5 703885375A

padding for seat

7 703885405B

seat cover (cloth) / PR-N1Q

703885405B BHM light grey / -FN

(7) 703885405D

seat cover (cloth) / PR-N2W, / CLASSIC

703885405D CDS light grey / -DG

(7) 703885405J

seat cover (cloth) / ALLSTAR

703885405J DGW light grey / -02

8 703885695

handle

703885695 9XK light grey

9 703885755B

rear panel for backrest

10 703885775A

padding for backrest

11 N 0161992

pop-rivet / A3,2X10X8

(13) 703885895

trim panel for seat frame

703885895 2VW light grey

14 N 10257501

hexagon head bolt c/w shoulder / M10X24

15 7D0885297

interlock / left

7D0885297 01C satin black

(15) 703885300

interlock / right

703885300 01C satin black

15A 703885197B

locking bucket

for vehicles with reclining seat mechanism

15B N 01152520

washer / A8,4X16X1,6

15C N 0102935

hexagonal head bolt / M8X16

16 N 0214163

oval head countersunk bolt / M8X32

17 N 0139681

oval head panel screw / ST4,8X13-C

head restraint with cover

see illustration: / 881-50

19 1H0881939

guide

1H0881939 B41 satin black

20 703885635

clip for guide

21 703885639

handle

703885639 01C satin black

22 703885343

wire cable

23 703885065

gas-filled strut

for vehicles with cargo and reclining platform

24 703885491

hinge / left

(24) 703885492

hinge / right

25 703885539

pin

26 N 0124373

lock washer / 7

27 N 90060201

clamping washer / C-6X13,5

28 703885157

small parts kit - bench seat

30 703886311

roller

31 703886169

shouldered bolt

34 703885447

clips

35 N 0152611

clips / 20X1,8

36 N 90162606

upholstery wire / 2,8X368

40 357885695

lever for folding backrest

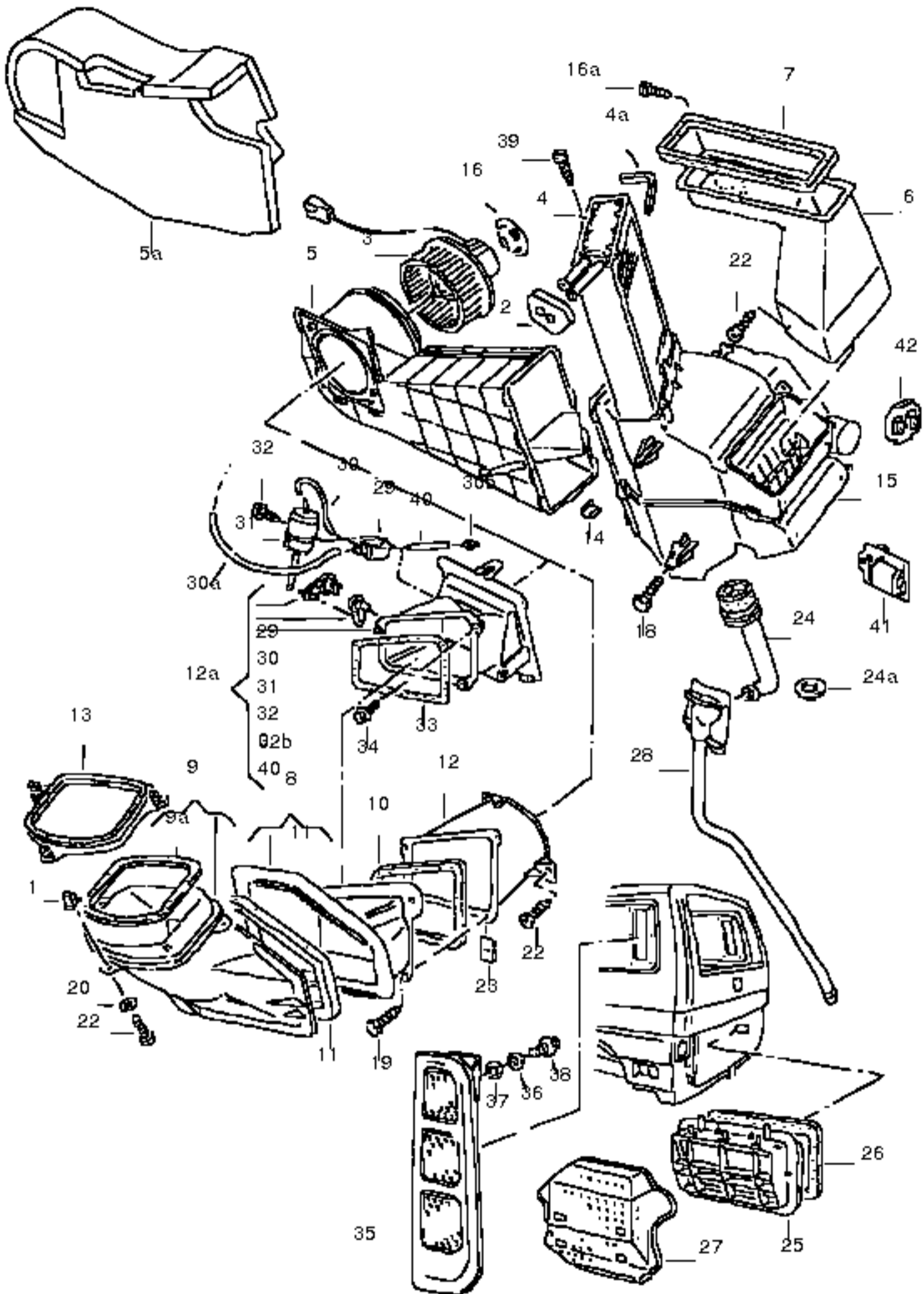
357885695 01C satin black

41 311881247

clip

42 703885331B

stop buffer



blower / heater
heat exchanger
air duct

1 811807577C
insert nut

2 701819019
gasket

(3) 701819021B
blower / lhd

(3) 702819021A
blower / rhd

4 701819031A
heat exchanger / lhd

(4) 702819031A
heat exchanger / rhd

4A 7D0819069
gasket / 810X25X6

5 701819043
air duct / lhd

(5) 7D1819043
air duct / lhd
for models with centre air vent

(5) 702819043
air duct / rhd

(5) 702819043B
air duct / rhd
for models with centre air vent

5A 701815083A
sound absorber / lhd / ACV

(5A) 702815083
sound absorber / rhd / ACV

6 701819063
intermediate piece / lhd

(6) 701820063
intermediate piece / lhd / air conduit.

(6) 702819063
intermediate piece / rhd

(6) 702820063
intermediate piece / rhd / air conduit.

7 701819070
gasket

(8) 705815081
connecting piece / rear lhd
heater

also use: / 701 819 142
705815081 01C satin black

(8) 706815081
connecting piece / rear rhd
heater

also use: / 701 819 142
706815081 01C satin black

(9) 705819078
connecting piece / front lhd
heater

705819078 01C satin black

(9) 706819078
connecting piece / front rhd
heater

706819078 01C satin black

9A 701819141
gasket
bonnet

10 701819142
gasket / lhd

(10) 702819142
gasket / rhd

11 701819143
gasket / lhd
connecting piece

(11) 702819143
gasket / rhd
connecting piece

12A 7D1820153
intake shaft / lhd
for recirculated air operation possibility

(12A) 7D2820153
intake shaft / rhd
for recirculated air operation possibility

13 701819162
covering
F >> 70-T-007 000*

(13) 701819164A
covering
also use: / 701 823 567

F 70-T-007 001>>*

(14) 701823567
clips
intake shaft

14 321819059
clips

15 701819353
air distribution housing / lhd

(15) 702819353
air distribution housing / rhd

16 191819598
plug

16A 155853149
oval head panel screw / H5X17

18 N 01021710
hexagonal head bolt / M6X20

18 N 0102186
hexagonal head bolt / M6X25

19 N 01021527
hexagonal head bolt / M6X15

20 N 0116653
washer / 5,3X15X1,6

22 N 0139681
oval head panel screw / ST4,8X13-C

23 N 90168602
snap nut / M6X16X24

(24) 1H0820119A
water drain valve

25 357819465
vent trim

26 321819017
gasket / 680X8X10

27 703819485A
cover cap

(28) 701819994
water drain pipe

29 028906283
solenoid change-over valve / black
for recirculated air operation possibility

- N 0180571
hose in coils of 5m 'order unit 5' / 2,5X1,75
for recirculated air operation possibility

shorten to: / 150MM

shorten to: / 1070MM

shorten to: / 50MM

31 701820677
vacuum unit / lhd
for recirculated air operation possibility

(31) 702820627
vacuum unit / rhd
for recirculated air operation possibility

32 N 0102044
hexagonal head bolt / M4X10
for recirculated air operation possibility

33 191820129
gasket / 550X12X6
for recirculated air operation possibility

34 N 10080102
allen key head bolt (combi) / M6X25
for recirculated air operation possibility

35 701815501
vent trim / left
for models with wheelbase: / 2920MM
701815501 01C satin black

(35) 701815502
vent trim / right
for models with wheelbase: / 2920MM
701815502 01C satin black

36 N 0116644
washer / B4,3X12X1

37 N 90641801
washer / 3,1X12X1,4

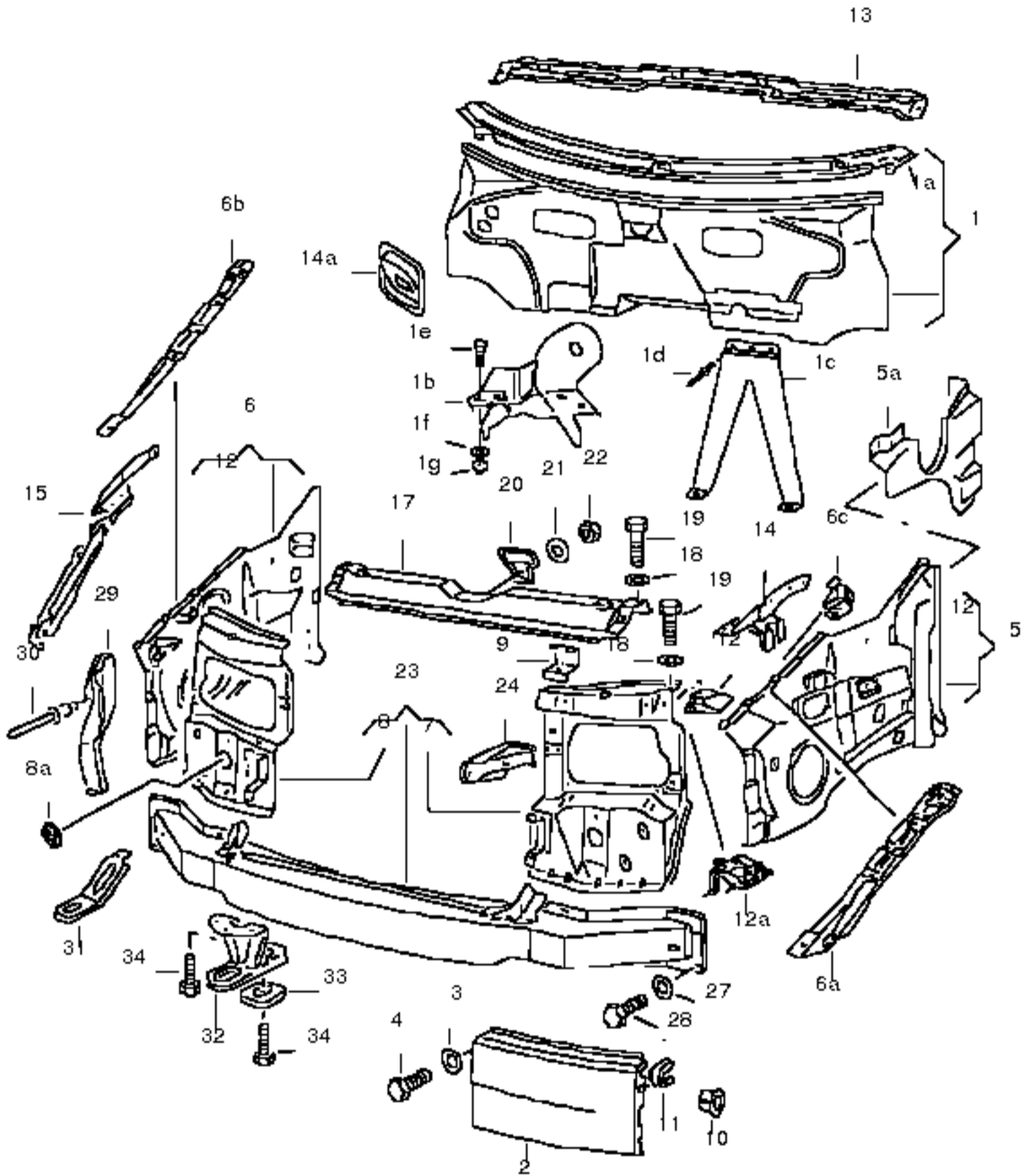
38 N 90499802
fillister head bolt with double thread / E4X8

39 N 0139681
oval head panel screw / ST4,8X13-C

40 7D0819036
choke

41 701959263
series resistance for fresh air and hot air blower / 1,7/0,8/0,4

42 811819145A
clips
bowden cable



body front section

cross panel

(1A) 701805033F

cowl

* dealership obligation: obligatory section of documentation.
when selling, a copy of the vehicle registration documents and
personal identity document must be kept for five years as proof!!
see parts bulletin: / 8/162 V.10/98

(1) 7D0805037A

cross panel

* dealership obligation: obligatory section of documentation.
when selling, a copy of the vehicle registration documents and
personal identity document must be kept for five years as proof!!
see parts bulletin: / 8/162 V.10/98

- 7D0121408A

bracket for reservoir

3 N 0115476

washer / A6,5X14X1,6

4 N 0102228

hexagonal head bolt / M6X22

5 701805061D

side panel / left front

(5) 701805061E

side panel / left front / TDI

retaining bracket

see illustration: / 880-00

6 701805062D

side panel / right front

(6) 7D0805062A

side panel / right front / TDI

- 701805338

mounting for bonnet stay

(7) 7D0805071A

mounting for headlamps / left

(8) 7D0805072A

mounting for headlamps / right

- 701805974

set of seals / right front

9 701805085

edge plate

mounting for headlamps

11 701805163

clip

12 701805191A

retainer bracket / left

(12) 701805191B

retainer bracket / left / TDI

side panel / front

(12) 701805192A

retainer bracket / right

(12) 701805192C

retainer bracket / right / TDI

side panel / front

- 7D0805213A

bracket - battery / TDI

(13) 701805291A

cross member for dashbord

(13) 701805291A

cross member for dashbord / lhd

adapt with workshop equipment

(13) 701880931A

cross member for dashbord / lhd

for models with airbag

(14) 7D0805383A

bonnet hinge / left / TDI

also use: / 7D0 805 384 A

(14) 7D0805384A

bonnet hinge / right / TDI

also use: / 7D0 805 383 A

- 701805447

connecting part

for vehicles with air condit.

(17) 701805563G

lock carrier

adapt with workshop equipment

18 N 90207601

washer / A6,4X17X1,6

19 N 10009202

hexagon head bolt (combi) / M6X20-Z2 / ABZ

20 701806451A

arm / AC0

arrester hook

21 N 01152423

washer / A6,4X12,5X1,6

22 N 01118312

hexagon nut, self-locking / M6

(23) 7D0805591

cross member with mounting for headlights

(23) 7D0805591

cross member with mounting for headlights / front

see illustration: / 121-75

27 N 01167016

washer / 8,4X24X2

28 N 01023911

hexagonal head bolt / M8X18

29 701805987A

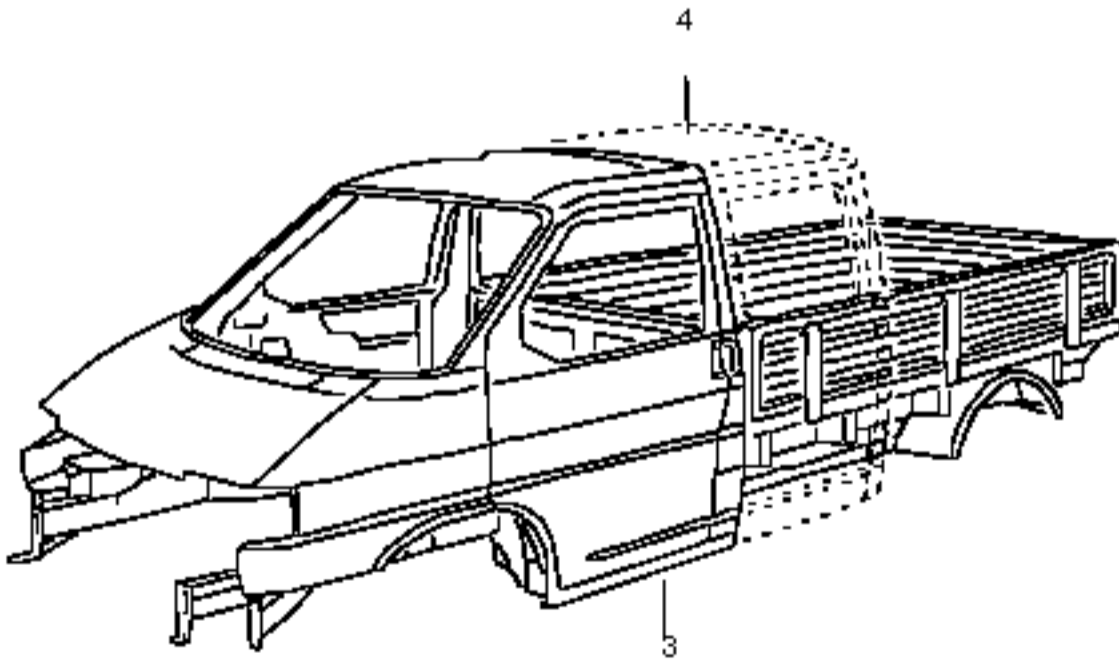
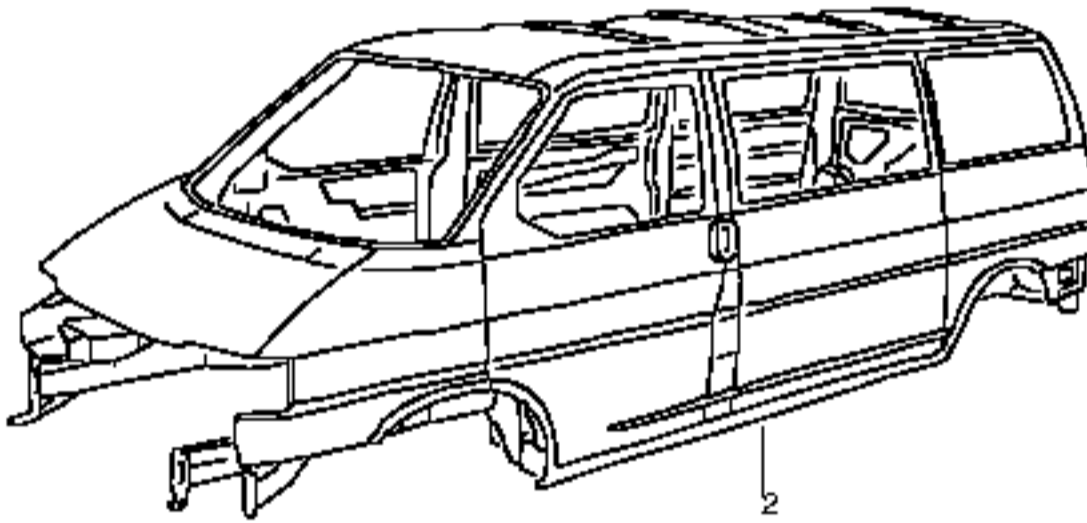
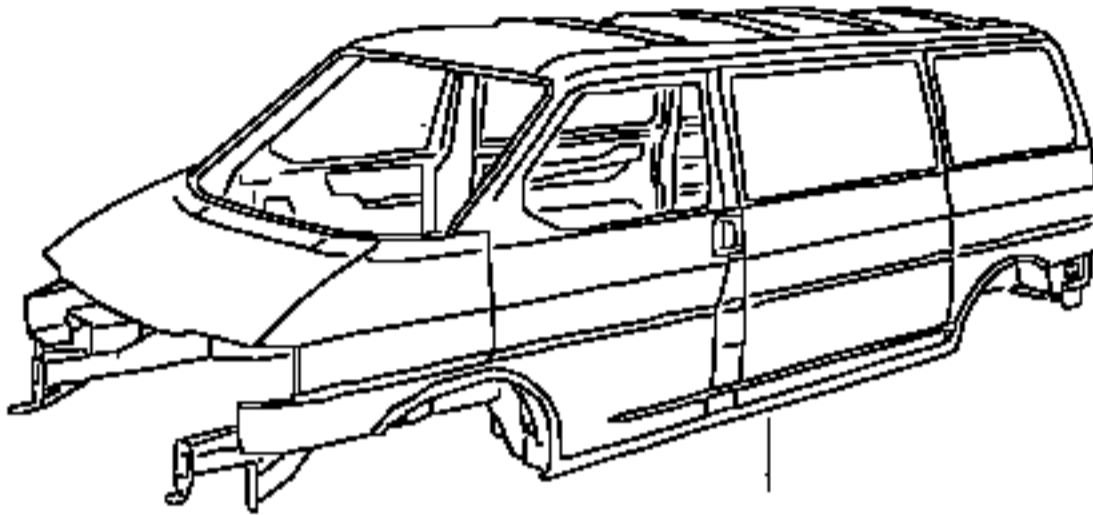
intake air duct / right front

30 N 0161943

pop-rivet / A4,8X7,6

31 7D0807401A

towing eye / front



body shell

F >> 70-T-060 000*

body shell, primed with lids and doors foamed and undersealed

check with importer when ordering pr equipment not listed

1 701800403

body shell / lhd / delivery van

wheelbase: / 2920MM

(1) 702800403

body shell / rhd / delivery van

wheelbase: / 2920MM

2 705800403

body shell / lhd / kombi van

wheelbase: / 2920MM

(2) 706800403

body shell / rhd / kombi van

wheelbase: / 2920MM

(2) 705800403

body shell / lhd / bus

wheelbase: / 2920MM

(2) 706800403

body shell / rhd / bus

wheelbase: / 2920MM

3 707800403

body shell witout floor frame / lhd / pick-up

wheelbase: / 2920MM

(3) 708800403

body shell witout floor frame / rhd / pick-up

wheelbase: / 2920MM

(1) 721800403

body shell / lhd / delivery van

wheelbase: / 3320MM

(1) 722800403

body shell / rhd / delivery van

wheelbase: / 3320MM

* dealership obligation: obligatory section of documentation.

when selling, a copy of the vehicle registration documents and personal identity document must be kept for five years as proof!!

see parts bulletin: / 8/162 V.10/98

(2) 725800403

body shell / lhd / kombi van

wheelbase: / 3320MM

(2) 726800403

body shell / rhd / kombi van

wheelbase: / 3320MM

(2) 725800403

body shell / lhd / bus

wheelbase: / 3320MM

(2) 726800403

body shell / rhd / bus

wheelbase: / 3320MM

(3) 728800403

body shell witout floor frame / rhd / pick-up

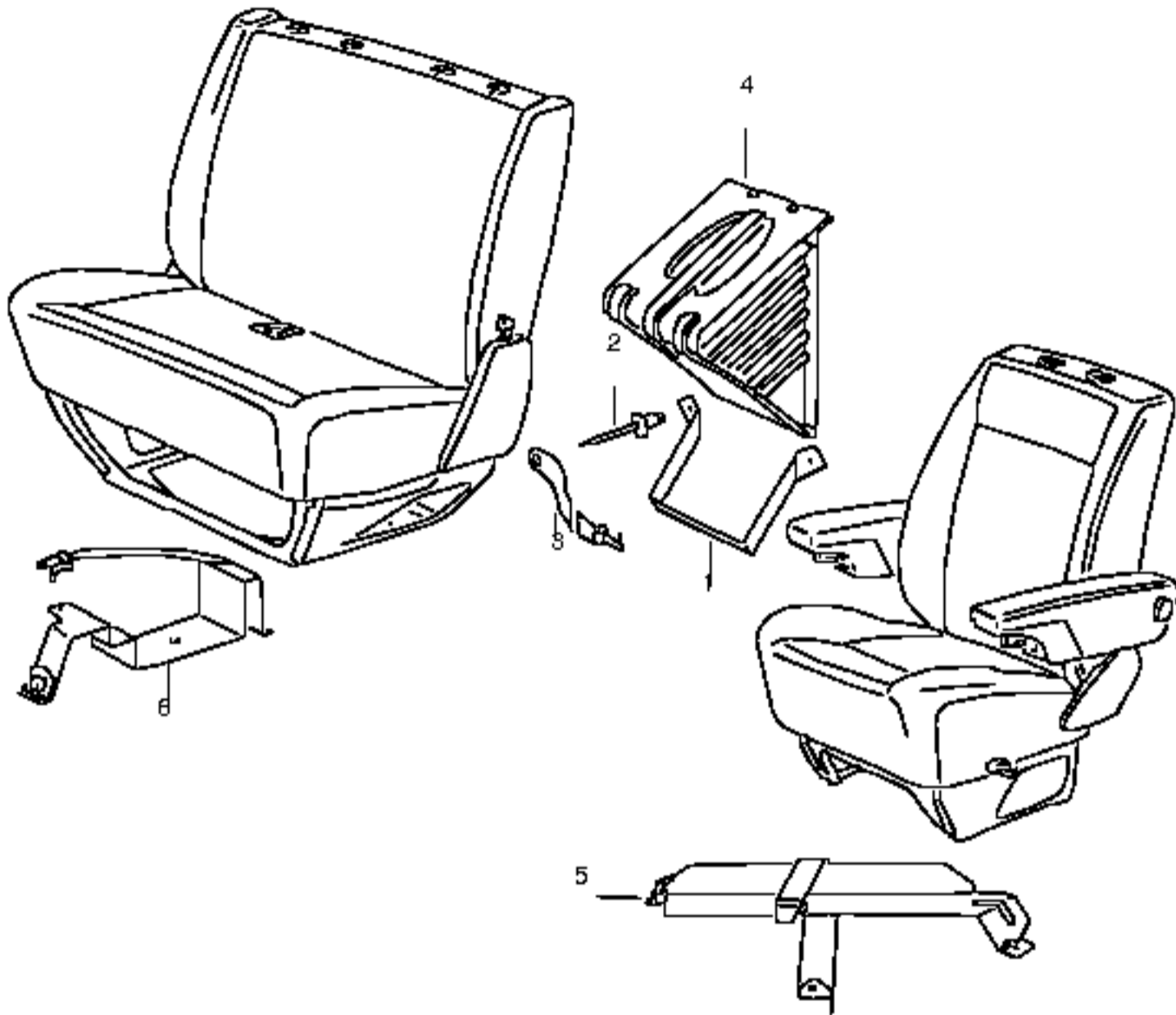
wheelbase: / 3320MM

4 729800403

body shell witout floor frame / lhd / double cab

(4) 730800403

body shell witout floor frame / rhd / double cab



bracket for warning triangle and first aid kit
wheel chock

1 -----
no longer available

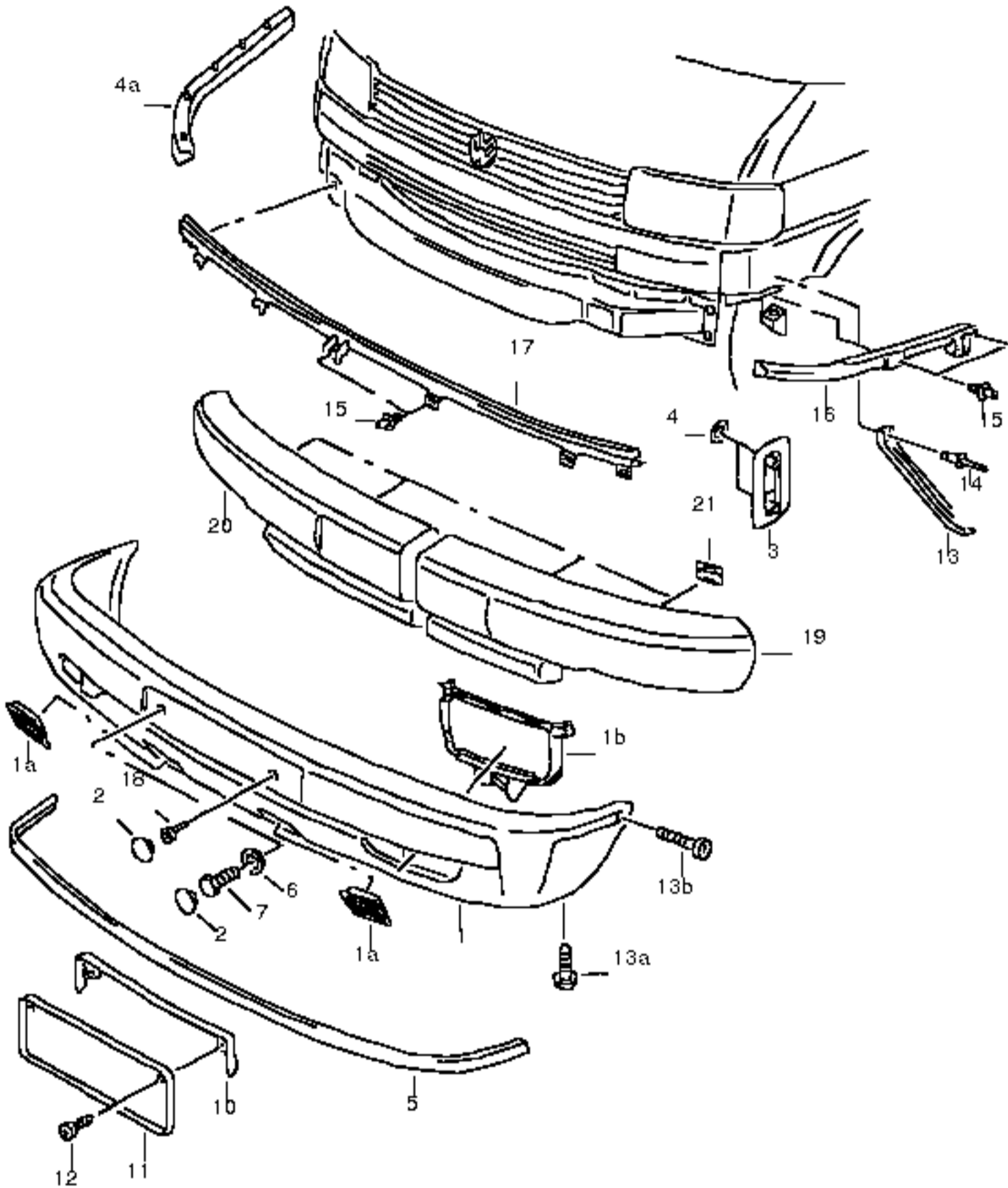
2 N 90064301
rivet / A6,4X14

3 867860266
retaining strap for warning triangle

4 281860321
wheel chock

5 701860266
bracket for warning triangle and first aid kit / lhd

6 701860266A
bracket for warning triangle and first aid kit
for 2 seater bench seat



bumper / front

(1) 701807101M
bumper / front / delivery van
701807101M 2BC graphite

(1) 701807101N
bumper
for models with fog lamps
701807101N 2BC graphite

(1) 705807101M
bumper
705807101M GRU primed

(1) 705807101N
bumper
for models with fog lamps
705807101N GRU primed

2 701807179
cover cap
701807179 2BC graphite

(2) 705807179
cover cap / "J.."
705807179 GRU primed

3 1H0807193
holder for covering

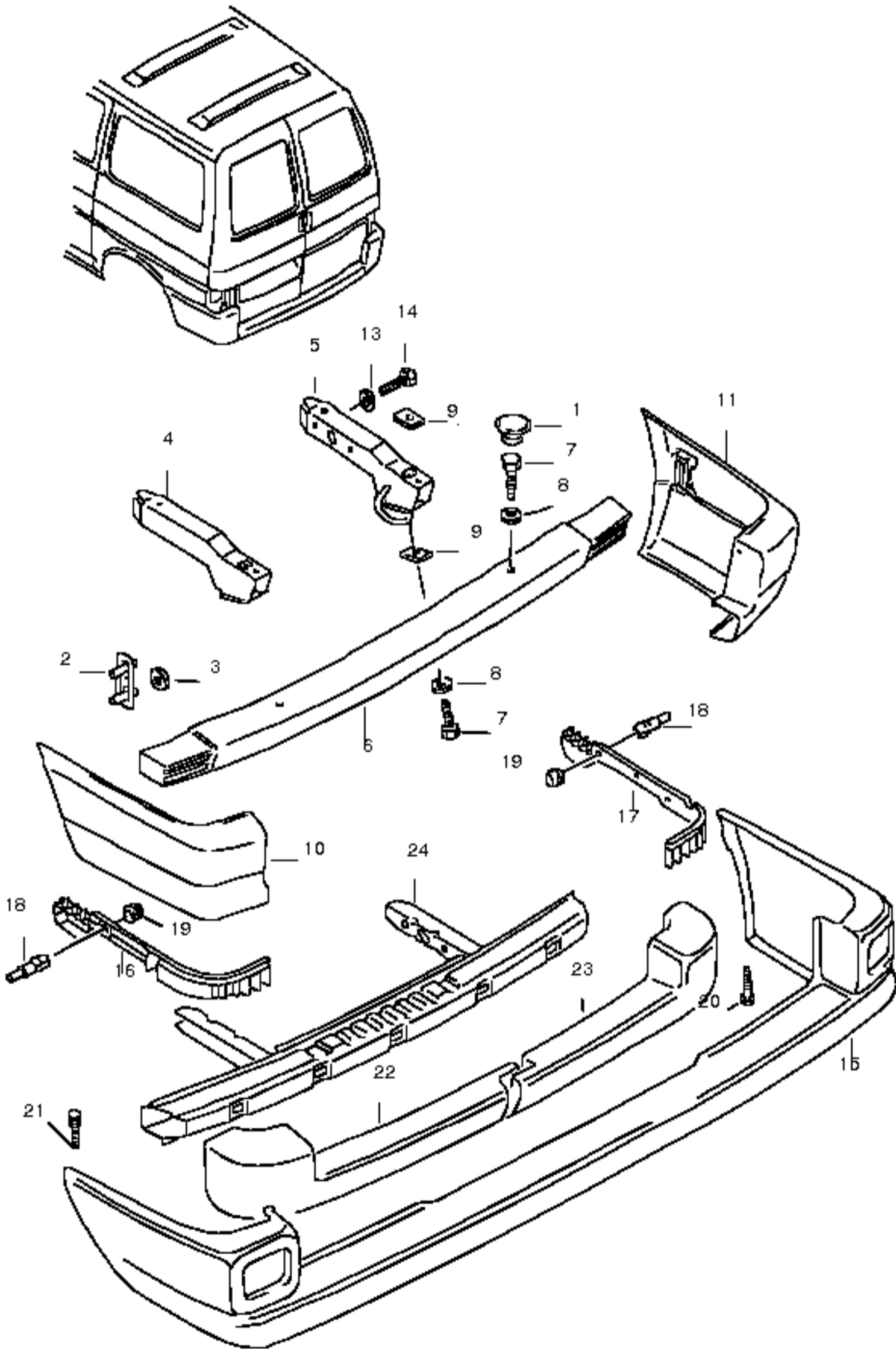
4 N 90174201
rubber washer / 15X29X2,6

4A 701807029
beading / TDI

- 701807183B
support part / front

6 N 90033301
washer / B8,4X20X2,5

7 N 01024022
bolt, hexagon head self-locking / M8X20MK



bumper / rear

1 701807179
cover cap
701807179 2BC graphite

(1) 705807179
cover cap
for bumper in vehicle colour
705807179 GRU primed

2 1H0807193
holder for covering

3 N 90174201
rubber washer / 15X29X2,6

(4) 701807307A
bumper bracket / left

5 701807308
bumper bracket / right

6 701807311E
bumper / rear center
701807311E 2BC graphite

(6) 705807311D
bumper / rear center
for bumper in vehicle colour
705807311D GRU primed

7 N 01024118
hexagonal head bolt / M8X22

8 N 90107604
washer / 8,2X18X2

- N 0195024
hexagon head bolt c/w shoulder / M8X25

9 701807318
base

10 701807321B
end piece / left rear
701807321B 2BC graphite

(10) 705807321B
end piece / left rear
705807321B GRU primed

11 701807322B
end piece / right rear
701807322B 2BC graphite

(10) 705807322B
end piece / right rear
705807322B GRU primed

- 161867299
clip
161867299 01C satin black

(10) 701807321C
end piece / left rear
for models with rear fog light
701807321C 2BC graphite

(10) 705807321C
end piece / left rear
for models with rear fog light
for bumper in vehicle colour
705807321C GRU primed

(10) 701807322C
end piece / right rear
for models with rear fog light
701807322C 2BC graphite

(10) 705807322C
end piece / right rear
for models with rear fog light
for bumper in vehicle colour
705807322C GRU primed

- 161867299
clip
161867299 01C satin black

13 N 90117701
washer / 12,3X30X2

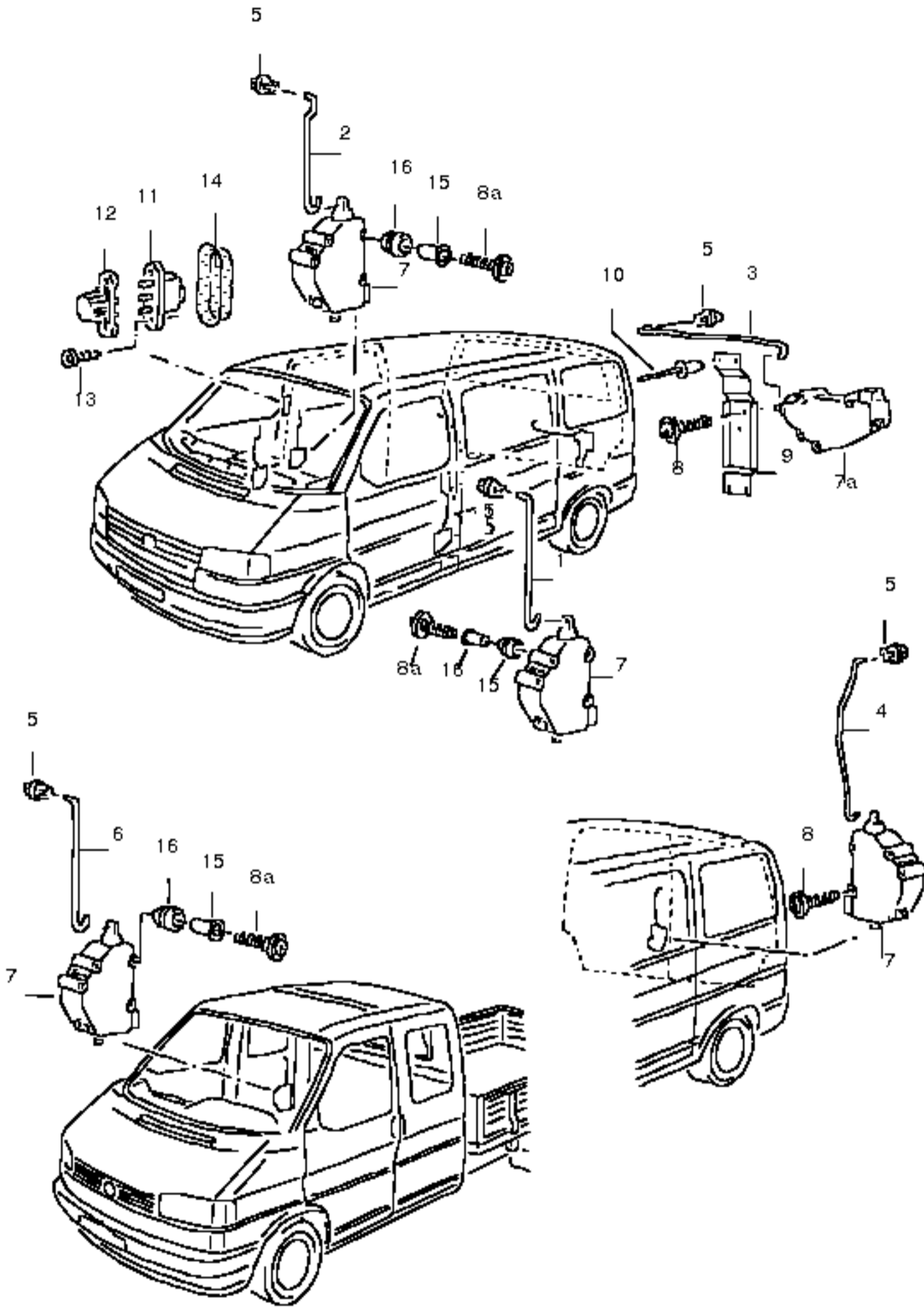
14 N 0101195
hexagonal head bolt / M12X1,5X25

- 707807370
towing eye / right rear / pick-up
/ double cab

- N 90117701
washer / 12,3X30X2

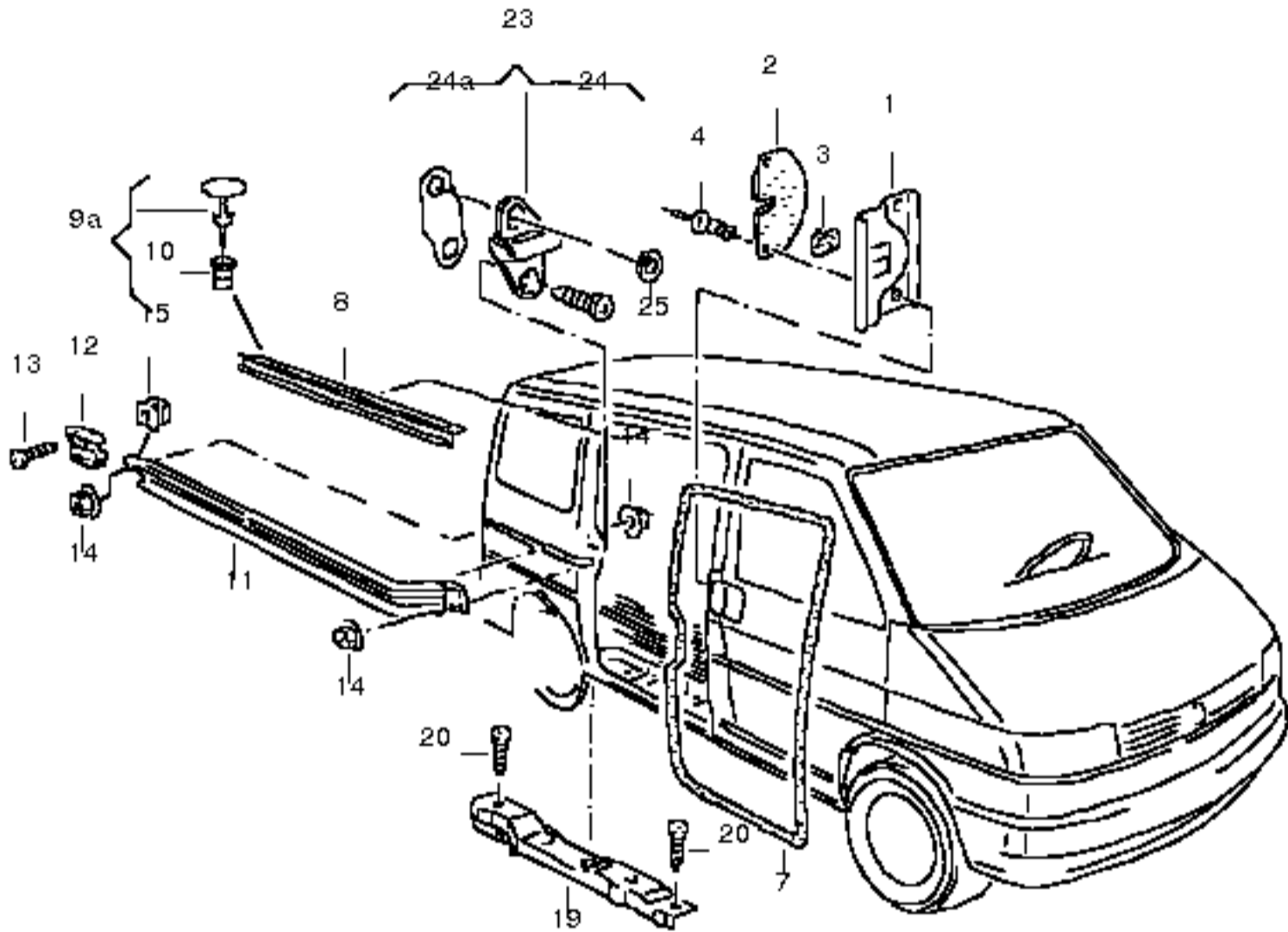
- N 0101274
hexagonal head bolt / M12X1,5X30

- 701807386
tensioning piece / right rear



central locking system

- 1 7D0862163
connecting rod
for driver and passenger door
- 2 701862170
connecting rod
for sliding door
- (3) 701862175B
connecting rod
tailgate/boot lid panel
- 4 701862175A
connecting rod
for wing door
- 5 171837199
clip
- 6 729841189
connecting rod / double cab
crew cab door
- 7 701959781
positioning motor
driver and passenger door
for wing door
for sliding door
use if required: / 701 972 390 B
- 701972390B
wiring harness adapter
for vehicles with central locking system
- positioning motor
- 7A 701959781
positioning motor
tailgate/boot lid panel
use if required: / 701 972 390 B
** see current flow diagram **
- 701972390B
wiring harness adapter
for vehicles with central locking system
- positioning motor
- 191972713
flat connector housing / 3 pin
- 357972754H
flat contact housing / 3 pin
- 8 433862195
screw / 4,2X16
see illustration: / 959-10



channel
 check rod - door
 seal for sliding door

(1) -----
 no longer available / left
 possible replacement / 701 809 843 B

1 701809284C
 reinforcement / right
 arrester hook

2 701843673A
 damper

3 701843684
 protective cap

4 N 90478601
 pop-rivet / A4,8X11

(7) 721843791
 seal for high sliding door / 6074MM

7 7D0843791F
 seal for sliding door / 5124MM / TRANSPORTER
 7D0843791F 01C satin black

(7) 705843791A
 seal for sliding door / 5160MM
 705843791A 01C satin black

(8) 7D0843793
 seal for sliding door / upper
 also use: / 701 837 069

9 701837069
 clip

10 701837069
 clip

(11) 7D1843871
 channel / left
 chrome colored
 also use: / 701 843 883 B
 / 01C

(11) 7D1843871
 channel / left
 chrome colored
 for vehicles with extended wheelbase
 also use: / 701 843 883 B
 / 01C

(11) 7D1843871A
 channel / left
 7D1843871A 01C satin black
 also use: / 701 843 883 B
 / (01C)

- 701843883B
 end piece / left
 701843883B 01C satin black

11 721843872B
 channel / right
 chrome colored

(11) 721843872B
 channel / right
 chrome colored
 for vehicles with extended wheelbase

(11) 725843872C
 channel / right
 725843872C 01C satin black

(11) 725843872C
 channel / right
 for vehicles with extended wheelbase
 725843872C 01C satin black

(12) 701843883A
 end piece / left
 701843883A 01C satin black

12 701843884B
 end piece / right
 701843884B 01C satin black

13 N 0139649
 oval head panel screw / ST4,2X16-C

14 N 90175203
 hexagon nut, shouldered / M6

15 N 90541001
 expanding nut / 4,2X8,5

(19) 701843413B
 check rod - door / left
 for sliding door

19 701843414B
 check rod - door / right
 for sliding door
 F >> 70-T-045 000*

(19) 701843414C
 check rod - door / right
 for sliding door
 F 70-T-045 001>>>*

20 N 0141485
 fillister hd. bolt / M8X15

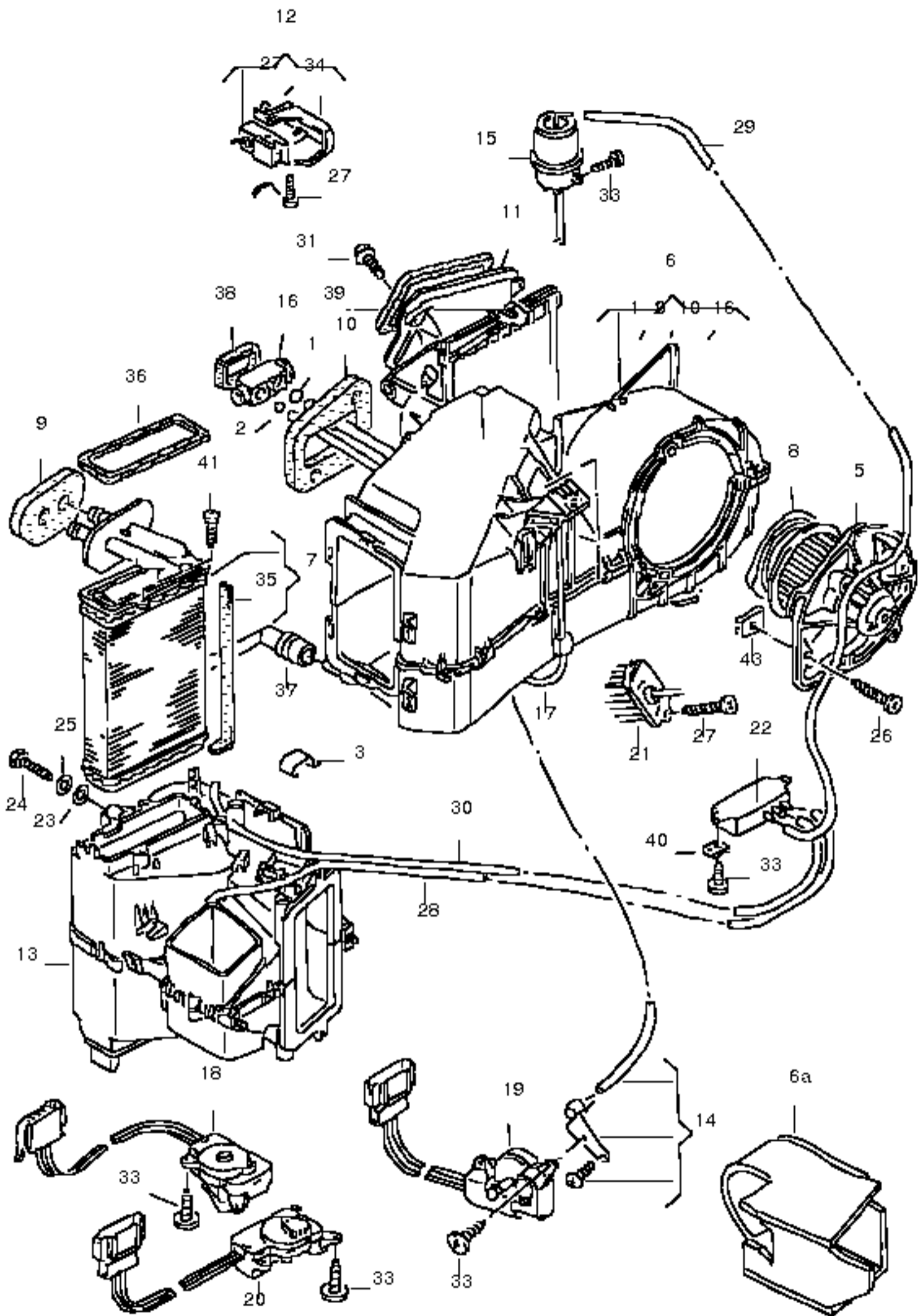
(23) 701837295B
 striker plate
 F >> 70-T-041 125

23 7D0837767A
 striker plate
 F 70-T-041 126>>>*
 MITVERWENDEN: / N 904 367 02
 / 701 837 279

24 N 90436704
 oval head countersunk bolt / M8X22

24A 701837279
 base

25 N 10034401
 plug / 30X5,6X37 / bus



connection box
 evaporator housing
 blower
 for vehicles with electronically regulated air condit.

1 8A0260749AH
 round seal / 14X17,65

2 8A0260749AJ
 round seal / 10,8X1,8

3 321819059
 clips

4 191819370
 gasket

5 357820021
 blower

6 701820023C
 evaporator housing

6A 701815083B
 sound absorber / lhd / 1Z

(6A) 702815083A
 sound absorber / rhd / 1Z
 air distribution housing

7 701820031
 heat exchanger / lhd

8 191820048
 ring

9 701820099
 gasket

10 191820139
 gasket

11 7D1820153
 intake shaft / lhd

12 357820295B
 thermostat with protective cap / lhd

13 701820351A
 connection box / lhd

14 701820514
 bracket f.throttle contr.elem.

15 701820677
 vacuum unit

16 701820679D
 expansion valve / R134A

17 191820845
 tensioning strap

18 357907511C
 positioning motor / lhd
 lever for air distribution

19 701907511
 positioning motor
 defroster flap

20 701907511A
 positioning motor
 lever for temperature regulating flap
 use if required: / 357 819 126

- 357819126
 intermediate lever / 10

21 1J0907521
 blower control

22 7D0907533
 valve unit
 for vehicles with electronically regulated air condit.

23 803955637
 sealing washer

24 N 01021710
 hexagonal head bolt / M6X20

25 N 0115476
 washer / A6,5X14X1,6

26 N 0139755
 oval head panel screw / ST4,8X19

27 N 0140993
 oval hd. csk. self-tapp. screw / ST4,8X13-C

- N 0180571
 hose in coils of 5m 'order unit 5' / 2,5X1,75
 shorten to: / 740MM
 shorten to: / 820MM
 shorten to: / 530MM

31 N 10080102
 allen key head bolt (combi) / M6X25

32 N 90276701
 snap nut / ST4,8X14,25

33 N 90345701
 fillister hd. bolt / E4,2X13-M

34 191820298A
 protective cap

35 7D0819069
 gasket / 810X25X6

36 321819017
 gasket / 680X8X10

37 701820124B
 water drain pipe

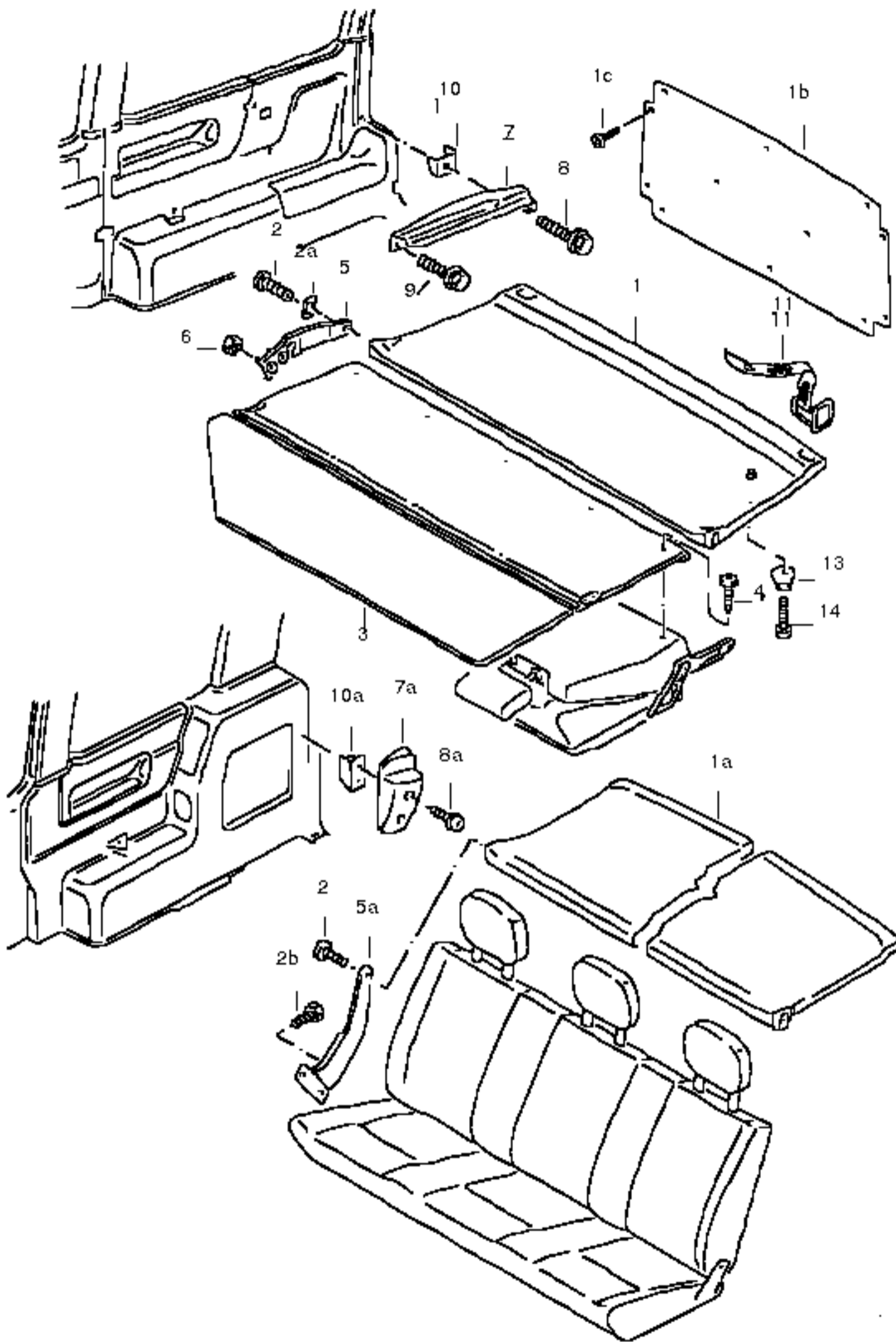
- N 10098601
 spring-type clip / 17

38 321820061D
 gasket / 1220X12X10
 shorten to: / 95MM

39 191820129
 gasket / 550X12X6

40 N 0154421
 snap nut / B4,2X12,8X11

41 N 90130801
 fillister hd. bolt / E4,2X16



cover for luggage boot
cargo and reclining platform

1 705868751B
cargo and reclining platform / rear
/ 640X1420MM
705868751B AYB light grey
705868751B AYC sahara
705868751B AYD neptune blue

2 N 90112701
fillister hd. bolt

2A N 90569701
concave spring washer / 10.2X16X0.5

3 705868753A
cargo and reclining platform / front
/ 989X1477MM
for vehicles with sliding door / right
705868753A AYB light grey
705868753A AYC sahara
705868753A AYD neptune blue

4 N 0139413
oval head panel screw / B4,8X32

(5) 705868761
bearing bracket / left

5 705868762
bearing bracket / right

6 N 01100830
hexagonal nut / M8
/ left

(7) 705867763A
shelf / left
705867763A 3KX neptune blue
705867763A 9UW sahara
705867763A 9XK light grey

7 705867764B
shelf / right
705867764B 3KX neptune blue
705867764B 9UW sahara
705867764B 9XK light grey

(8) N 0197002
hexagon head bolt c/w shoulder / M8X30
/ right

9 N 90116301
hexagonal head bolt / M8X22
/ right

(10) 705867775
retainer bracket / left

10 705867776
retainer bracket / right

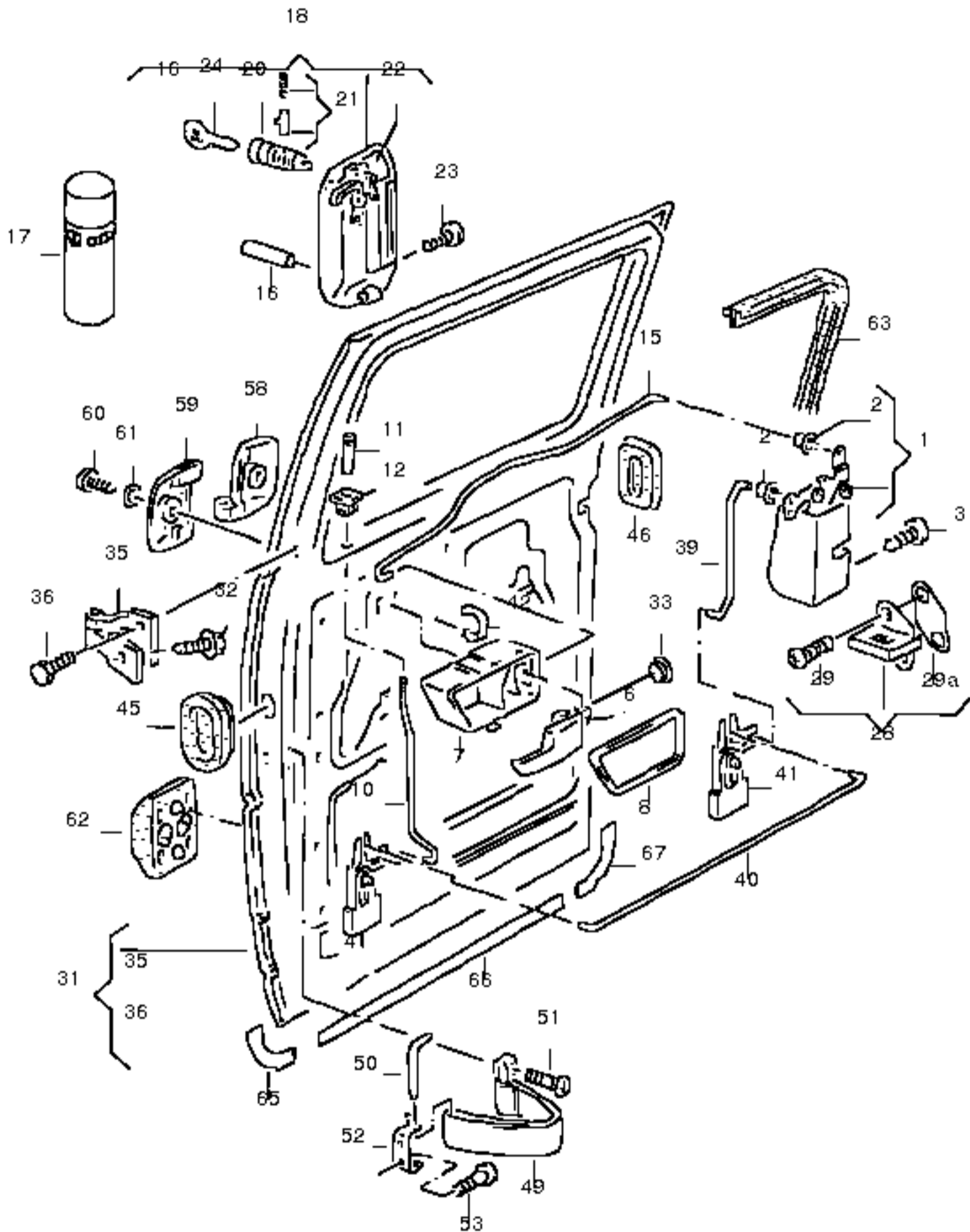
11 705868765
retaining band

13 705868769
knob
705868769 01C satin black

14 N 0441314
fillister hd. bolt / M5X25

- 533863288A
felt strip (self-adhesive) 'order unit 25' / 20X3X880MM

- 705868835
foam packing (self-adhesive)



crew cab door / double cab

(1) 702837015E
door lock / left
also use: / 7D0 837 767A

(1) 702837015E
door lock / left
for vehicles with central locking system
also use: / 7D0 837 767A

(1) 702837015G
door lock with childproof catch / left

1 701837016E
door lock / right
also use: / 7D0 837 767A

(1) 701837016G
door lock with childproof catch / right
also use: / 7D0 837 767A

2 191837199

clip

3 N 0141395

fillister hd. bolt / M6X12

(6) 191837225

door inner operating lever / left

191837225 01C satin black

6 191837226

door inner operating lever / right

191837226 01C satin black

(7) 321837235A

interior release lever housing / left

321837235A 01C satin black

7 321837236A

interior release lever housing / right

321837236A 01C satin black

(8) 321837247

trim / left

321837247 01C satin black

8 321837248

trim / right

321837248 01C satin black

10 729841185

locking rod

11 357837187

knob for locking rod

357837187 01C satin black

12 701837355

collar

701837355 01C satin black

15 729841193

pull rod for interior release mechanism

16 N 0220421

spring pin / 2X14

17 G 052778A2

lock cylinder lubricant spray / 50ML

servicing materials

(18) 701837205

door handle, outer, black / left

use if required: / N 022 042 1

18 701837206

door handle, outer, black / right

use if required: / N 022 042 1

20 701837061C

lock cylinder for door handle without tumblers and key

system 'b' profile ah

for lock combination numbers: 1001-2000,3001-4000,6001-7086, 8201-9282

(21) 443898041A

1 set: tumbler plates for lock cylinder / 13,5MM

(22) 701837209

base / left

22 701837210

base / right

23 N 0141395

fillister hd. bolt / M6X12

see illustration: / 837-00

(28) 701837295B

striker plate

F >> 70-T-041 125

28 7D0837767A

striker plate

F 70-T-041 126>>*

MITVERWENDEN: / N 904 367 02

/ 701 837 279

29 N 90436704

oval head countersunk bolt / M8X22

29A 701837279

base

(31) 7D7841079E

crew cab door / left

7D7841079E GRU primed

31 7D7841080E

crew cab door / right

7D7841080E GRU primed

32 N 90322601

hexagonal head bolt / M10X27

35 729841511

hinge

36 N 01023911

hexagonal head bolt / M8X18

39 729841183

locking rod

40 729841187A

locking rod

41 193839825

relay lever / right

(41) 193839826

relay lever / left

clip

no replacement part

45 333971904A

plug / 22,5/38,5

46 701843687

collar

49 729827543

retaining band

50 729841393

retaining pin

adapt with workshop equipment

51 N 0330212

countersunk bolt / M5X16SB

52 729841059B

fitting

53 N 0142265

countersunk bolt / AM6X15

58 729841561

hinge cover / left upper

(58) 729841561A

hinge cover / left lower

59 729841562

hinge cover / right upper

(59) 729841562A

hinge cover / right lower

60 N 01396626

oval head panel screw / 4,2X13STC

61 N 0116644

washer / B4,3X12X1

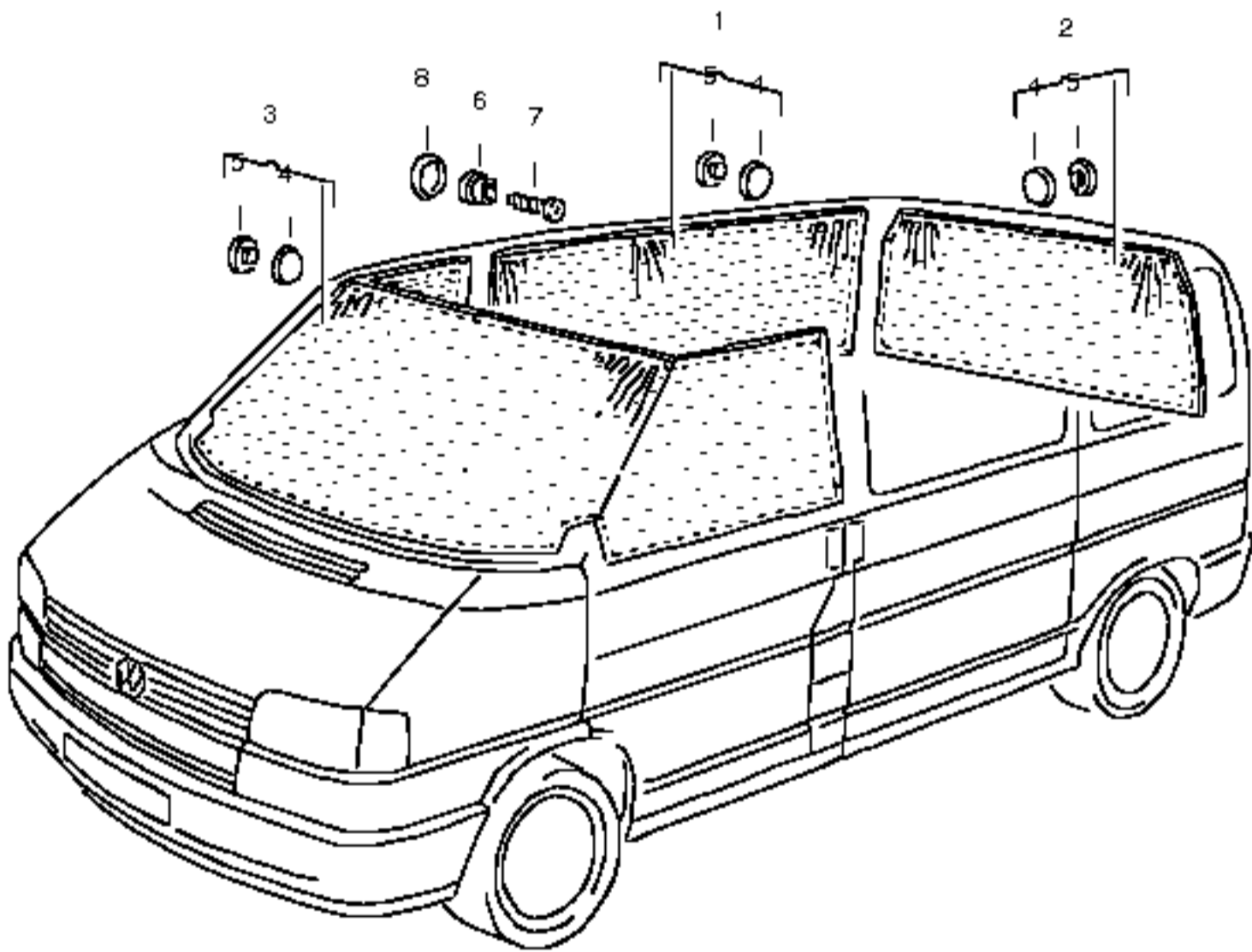
62 729841691

stop buffer / 70X40X20

63 7D0841817

gasket / 4240MM

7D0841817 01C satin black



curtains
curtains
for models with tilting sunroof
high roof (plastic)
see illustration: / 070-70

(1) 703862755
curtain for side window / left
for models with wheelbase: / 2920MM
703862755 A62 light grey
703862755 F53 neptune blue
703862755 P34 sahara

1 703862756
curtain for side window / right
for models with wheelbase: / 2920MM
703862756 A62 light grey
703862756 F53 neptune blue
703862756 P34 sahara

2 703862757
curtain for rear window
for vehicles with tailgate/boot lid panel
703862757 A62 light grey
703862757 F53 neptune blue
703862757 P34 sahara

- N 0141001
oval hd. csk. self-tapp. screw / ST4,8X25-C

3 703862761
curtain for cab
703862761 A62 light grey
703862761 F53 neptune blue
703862761 P34 sahara

4 141871439B
press stud cap

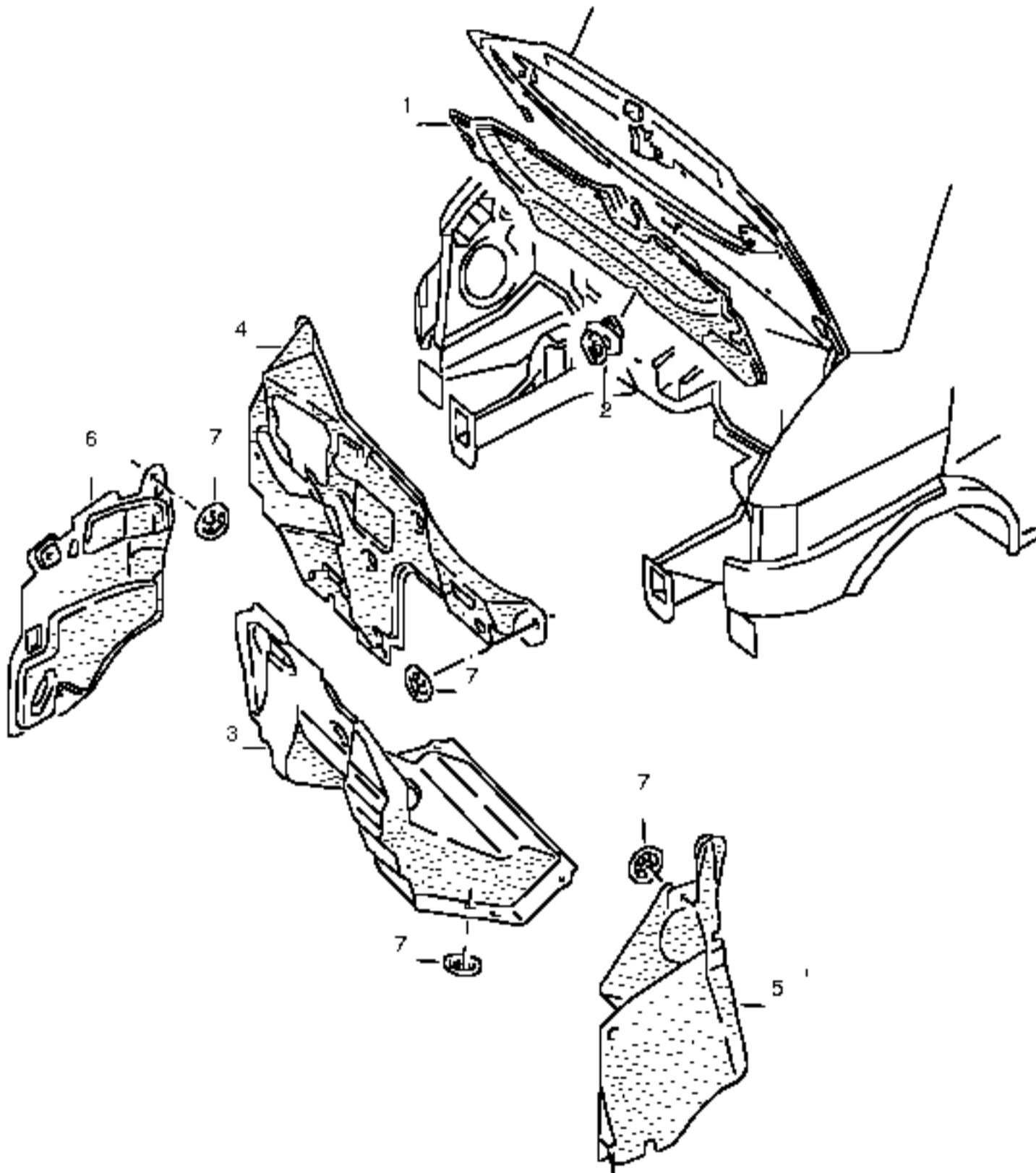
5 141871440B
press stud-spring part

6 311863481
press stud-ball part

7 N 0139575
oval head panel screw / B3,5X9,5

(7) N 0139587
oval head panel screw / ST3,5X13-C

8 703862777
cover cap
703862777 3KX neptune blue
703862777 9UW sahara
703862777 9XK light grey



damping for engine compartment

1 701863825D

sound absorber for engine lid

(1) 701863835

sound absorber for flap / front / diesel eng.
rework if necessary

2 701863841

clip

3 7D1863931

sound absorber for cross panel / center lhd

(3) 702863931A

sound absorber for cross panel / center rhd

(4) 702863935

sound absorber for cross panel / left rhd

4 7D1863936

sound absorber for cross panel / right lhd

5 701863937A

sound absorber for side wall / left

(5) 7D0863937

sound absorber for side wall / left / diesel eng.

6 701863938B

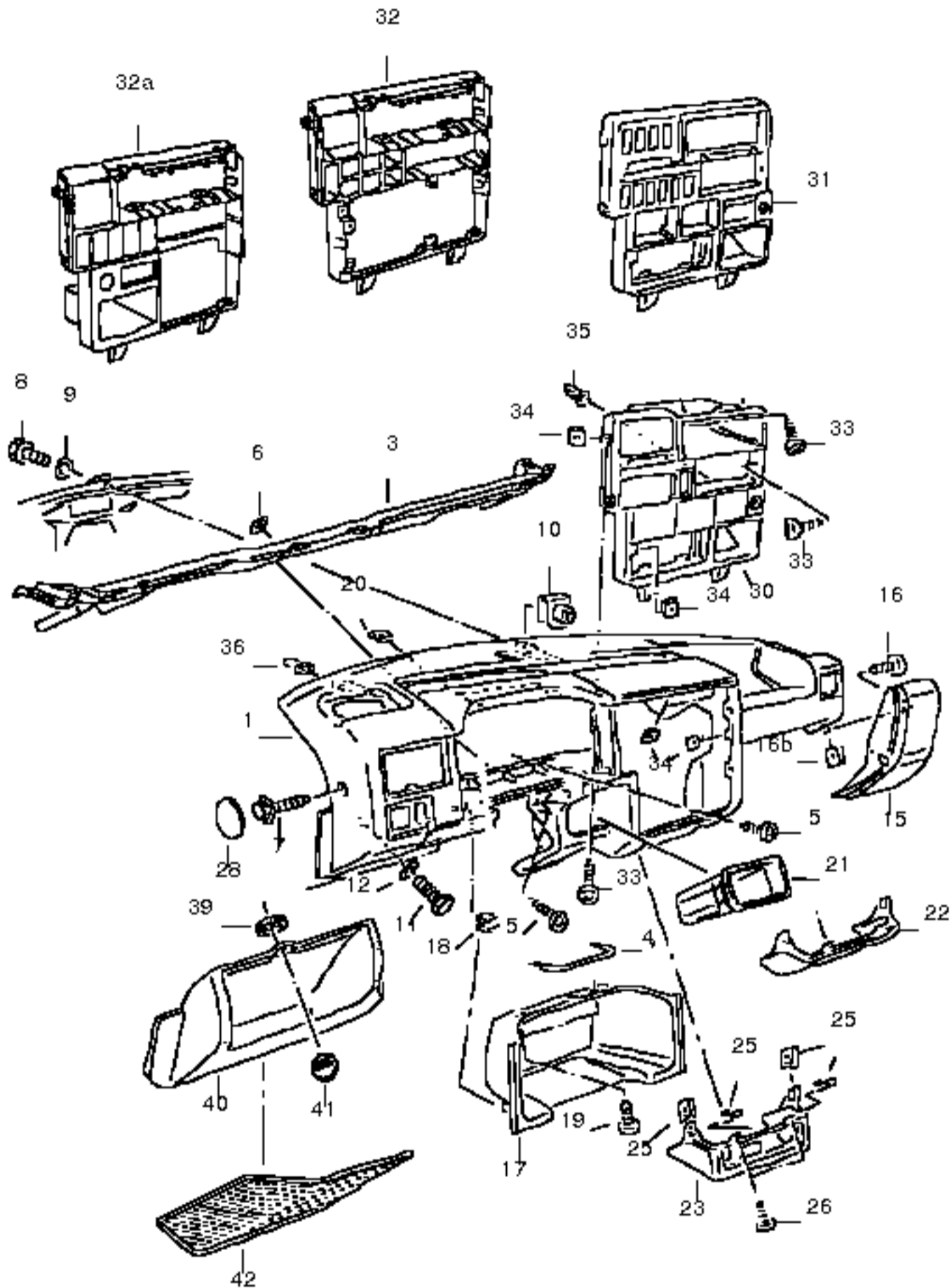
sound absorber for side wall / right

(6) 7D0863938A

sound absorber for side wall / right / diesel eng.

7 N 90335004

clamping washer / 5X30



dashboard
dashboard fittings

(1) 701857007B
dashboard / lhd
701857007B 3XA neptune blue
701857007B 4XG medium grey
701857007B 6XT sahara

(1) 701857007B
dashboard / lhd
for vehicles with tachograph
adapt with workshop equipment
701857007B 3XA neptune blue
701857007B 4XG medium grey
701857007B 6XT sahara

(1) 702857007B
dashboard / rhd
702857007B 3XA neptune blue
702857007B 4XG medium grey
702857007B 6XT sahara

(1) 702857007B
dashboard / rhd
for vehicles with tachograph
adapt with workshop equipment
702857007B 3XA neptune blue
702857007B 4XG medium grey
702857007B 6XT sahara

(1) 705857007
dashboard, padded / lhd
705857007 E44 medium grey
705857007 G74 neptune blue
705857007 T34 sahara

(1) 705857007B
dashboard, padded / lhd
for models with diesel engine
705857007B E44 medium grey
705857007B G74 neptune blue
705857007B T34 sahara

5 N 90241203
fillister hd. bolt / M4X20

6 N 90282501
snap nut / 3,1X13X11,5

7 N 90404701
hexagon head bolt (combi) / M5X22

8 N 01021612
hexagonal head bolt / M6X18

9 N 01166615
washer / 6,4X18X1,6

10 N 90168602
snap nut / M6X16X24

11 N 0102376
hexagonal head bolt / M8X12

12 N 01167016
washer / 8,4X24X2

(15) 702857137A
covering / rhd
see illustration: / 857-20
702857137A 3XA neptune blue
702857137A 4XG medium grey
702857137A 6XT sahara

15 701857138A
covering / lhd
see illustration: / 857-20
701857138A 3XA neptune blue
701857138A 4XG medium grey
701857138A 6XT sahara

16 N 90404701
hexagon head bolt (combi) / M5X22

16B N 90650101
snap nut / 3,1X16,5X11

17 701857237
trim
701857237 01C satin black

- 357858043
rubber strip / 1530MM
shorten to: / 210MM

18 867867244
spring clamp

19 N 90241203
fillister hd. bolt / M4X20
shorten to: / 15MM

20 N 90650101
snap nut / 3,1X16,5X11

21 705857921
shelf/stowage compartment / center
for models with padded dashboard
705857921 01C satin black

22 701857243
trim
701857243 7XM medium grey
701857243 8XR sahara
701857243 F09 neptune blue

23 701857243A
console
701857243A 7XM medium grey
701857243A 8XR sahara
701857243A F09 neptune blue

25 N 90650101
snap nut / 3,1X16,5X11

26 N 90241203
fillister hd. bolt / M4X20

(28) 357857958A
cover cap
357857958A F09 neptune blue
357857958A 7XM medium grey
357857958A 8XR sahara

(28) 357857958A
cover cap
for models with padded dashboard
357857958A F09 neptune blue
357857958A 7XM medium grey
357857958A 8XR sahara

30 701858089A
insert for dashboard / center lhd
701858089A 01C satin black

(30) 702858089A
insert for dashboard / center rhd
702858089A 01C satin black

31 705858089A
insert for dashboard / center lhd
705858089A 01C satin black

(31) 706858089A
insert for dashboard / center rhd
706858089A 01C satin black

33 N 90241203
fillister hd. bolt / M4X20
shorten to: / 15MM

34 N 90650101
snap nut / 3,1X16,5X11

36 357858507A
grommet
for this use: / POS.39

40 701863057A
covering / lhd
701863057A 6XT sahara

40 701863057C
covering / lhd
for fuse box/relay plate
701863057C 3XA neptune blue
701863057C 4XG medium grey

(40) 702863058A
covering / rhd
702863058A 3XA neptune blue
702863058A 4XG medium grey
702863058A 6XT sahara

41 191857971
clip 'order unit 10'

dashboard fittings

1 701857209A

loudspeaker grille / left

701857209A 7XM medium grey

701857209A 8XR sahara

701857209A F09 neptune blue

(1) 705857209

loudspeaker grille / left

for models with padded dashboard

705857209 F09 neptune blue

705857209 7XM medium grey

705857209 8XR sahara

2 701857210A

loudspeaker grille / right

701857210A 7XM medium grey

701857210A 8XR sahara

701857210A F09 neptune blue

(2) 705857210

loudspeaker grille / right

for models with padded dashboard

705857210 F09 neptune blue

705857210 7XM medium grey

705857210 8XR sahara

3 701857233

trim for radio aperture

701857233 01C satin black

4 701857234A

covering

701857234A 01C satin black

6 701857243A

console

see illustration: / 857-00

701857243A 7XM medium grey

701857243A 8XR sahara

701857243A F09 neptune blue

8 701857247

carrier

10 N 90364201

fillister hd. bolt / E3,5X16

13 701857367

cover cap

701857367 7XM medium grey

701857367 8XR sahara

701857367 F09 neptune blue

- 705858519

handle recess / diesel eng.

mounting for choke/cable

for models with padded dashboard

705858519 01C satin black

15 705858089A

insert for dashboard / center lhd

705858089A 01C satin black

(15) 706858089A

insert for dashboard / center rhd

706858089A 01C satin black

17 701858099

switch bracket / lhd

701858099 01C satin black

(17) 702858100

switch bracket / rhd

702858100 01C satin black

19 701858143A

storage box

701858143A 01C satin black

20A 701858227

trim

for vehicles with / RADIO

701858227 01C satin black

25 701957085

blind cover / 94X66MM

701957085 01C satin black

26 701957087

blind cover / 88,6X41,6MM

701957087 01C satin black

see illustration: / 941-85

door lock / front
 door inner operating lever
 door handle, outer

(1) 701837015D
 door lock / left lhd
 also use: / 7D0 837 767 D

(1) 701837015D
 door lock / left lhd
 for vehicles with central locking system
 also use: / 7D0 837 767 D

(1) 702837015E
 door lock / left rhd
 also use: / 7D0 837 767 D

(1) 702837015E
 door lock / left rhd
 for vehicles with central locking system
 also use: / 7D0 837 767 D

1 701837016E
 door lock / right lhd
 also use: / 7D0 837 767 D

(1) 701837016E
 door lock / right lhd
 for vehicles with central locking system
 also use: / 7D0 837 767 D

(1) 702837016D
 door lock / right rhd

(1) 702837016D
 door lock / right rhd
 for vehicles with central locking system

 no longer available

2 191837199
 clip

2A 171837199
 clip

3 N 0141395
 fillister hd. bolt / M6X12

(7) 701837019A
 door inner operating lever / left
 701837019A 01C satin black
 701837019A 9XK light grey

7 701837020A
 door inner operating lever / right
 701837020A 01C satin black
 701837020A 9XK light grey

7A 7D0837241
 sealing / left

(7A) 7D0837242
 sealing / right

(10) 701837183
 locking rod for door lock / left

10 701837184
 locking rod for door lock / right

11 357837187
 knob for locking rod
 357837187 01C satin black

12 701837355
 collar
 701837355 01C satin black

(14) 701837193A
 pull rod / left

14 701837194C
 pull rod / right

15 701837199A
 clip

(18) 701837205
 door handle, outer, black / left
 use if required: / N 022 042 1

18 701837206
 door handle, outer, black / right
 use if required: / N 022 042 1

20 701837061C
 lock cylinder for door handle without tumblers and key

system 'b' profile ah
 for lock combination numbers: 1001-2000,3001-4000,6001-7086, 8201-9282

(21) 443898041
 1 set: tumbler plates for lock cylinder / 12MM
 / AH,AN,VB,HV, / NV,N,FB,OA,OB

(21) 443898041A
 1 set: tumbler plates for lock cylinder / 13,5MM

(22) 701837209
 base / left

22 701837210
 base / right

23 N 0141395
 fillister hd. bolt / M6X12

(24) 6N0837219
 main key with fixed code transponder
 profile ah
 quote key number for cut keys

(24) 357837185
 secondary key
 profile an
 quote key number for cut keys

25 N 0220421
 spring pin / 2X14

28 701837295B
 striker plate
 F >> 70-T-041 125

(28) 7D0837767D
 striker plate
 F 70-T-041 126>>*
 also use: / N 904 367 02
 / 701 837 279

29 N 90436704
 oval head countersunk bolt / M8X22

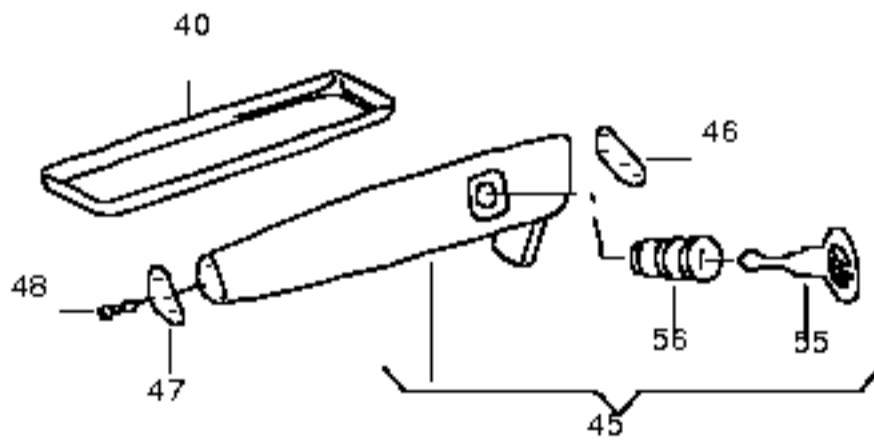
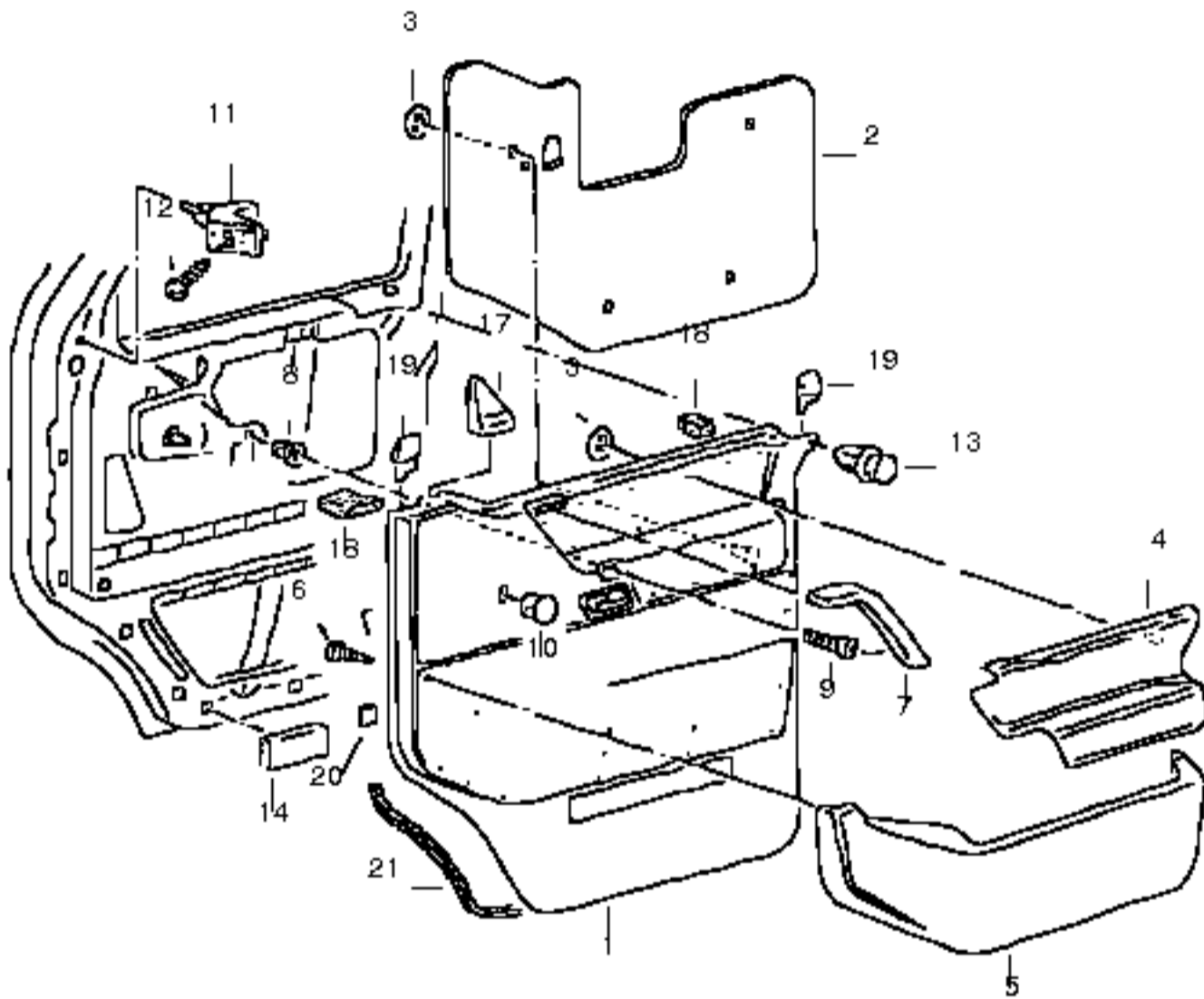
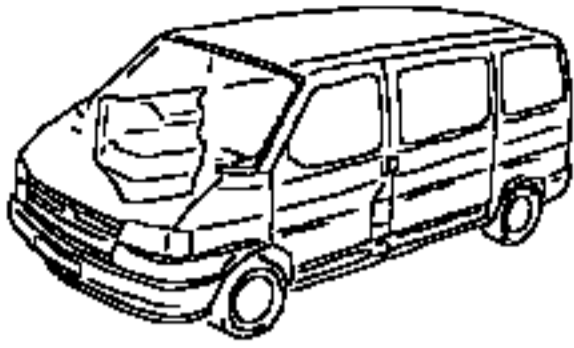
29A 701837279
 base

30 1H0837219A
 main key with light and fixed code transponder
 profile ah
 quote key number for cut keys

31 N 90314501
 bulb / 1,5V/0,09A

32 N 90262401
 micro-cell battery / 1,5V

38 G 052778A2
 lock cylinder lubricant spray / 50ML
 servicing materials



door trim panels / front
storage box
pull handle

(1) 701867105
door trim panel / left
for models with leatherette trim
also use: / 701 898 091
/ 701 898 093
/ in appropriate colour.
701867105 9UW sahara
701867105 9XK light grey

(1) 705867105
door trim panel without centre part / left front
(leatherette/cloth)
also use: / 701 898 091
/ 701 898 093
/ in appropriate colour.
705867105 2XL neptune blue

1 701867106
door trim panel / right
for models with leatherette trim
also use: / 701 898 092
/ 701 898 094
/ in appropriate colour.
701867106 9UW sahara
701867106 9XK light grey

(1) 705867106
door trim panel without centre part / right front
(leatherette/cloth)
also use: / 701 898 092
/ 701 898 094
/ in appropriate colour.
705867106 2XL neptune blue

2 705868421G
sound abs. for door trim panel

3 N 90060201
clamping washer / C-6X13,5

(4) 705867123
door trim panel, centre part / left
cloth
705867123 2XK neptune blue / -EF / CARAVELLE GL
705867123 7YV sahara / -ET / CARAVELLE GL
705867123 8YU light grey / -ES / CARAVELLE GL
705867123 E02 light grey / -GH / camp- mobile
705867123 A60 light grey / -DE,DG / MULTIVAN- / CLASSIC, / camp- mobile
705867123 N26 grey/green red blue / -02 / ALLSTAR
705867123 4EH light grey / -21 / HIGHWAY, / camp- mobile

4 705867124
door trim panel, centre part / right
cloth
705867124 2XK neptune blue / -EF / CARAVELLE GL
705867124 7YV sahara / -ET / CARAVELLE GL
705867124 8YU light grey / -ES / CARAVELLE GL
705867124 E02 light grey / -GH / camp- mobile
705867124 A60 light grey / -DE,DG / MULTIVAN- / CLASSIC, / camp- mobile
705867124 N26 grey/green red blue / -02 / ALLSTAR
705867124 4EH light grey / -21 / HIGHWAY, / camp- mobile

(5) 701867131
storage box / left
701867131 9UW sahara
701867131 9XK light grey

(5) 701867131A
storage box / left / CARAVELLE GL
701867131A 2XL neptune blue

5 701867132
storage box / right
only for: seat / (one person)
701867132 9UW sahara
701867132 9XK light grey

(5) 701867132A
storage box / right / CARAVELLE GL
only for: seat / (one person)
701867132A 2XL neptune blue

6 N 0139681
oval head panel screw / ST4,8X13-C

(7) 701867161
pull handle / left
701867161 01C satin black
701867161 3KX neptune blue
701867161 9UW sahara
701867161 9XK light grey

7 701867162
pull handle / right
701867162 01C satin black
701867162 3KX neptune blue
701867162 9UW sahara
701867162 9XK light grey

8 N 90252101
rivetted cap nut / AM6/0,5-3

9 N 0141433
fillister hd. bolt / AM6X22SB

10 701867164
cover cap
for models with electrically operated windows
701867164 3KX neptune blue
701867164 9UW sahara
701867164 9XK light grey

11 321867299B
clip

12 N 90157501
panel screw / B4,2X25

13 701867299
clip
701867299 3KX neptune blue
701867299 9UW sahara
701867299 9XK light grey

14 893867299
clamping piece

17 705837993
covering / left front / CARAVELLE GL
705837993 3KX neptune blue
705837993 9UW sahara
705837993 9XK light grey

(17) 705837994
covering / right front / CARAVELLE GL
705837994 3KX neptune blue
705837994 9UW sahara
705837994 9XK light grey

18 701898091
set of seals for door trim panel / left

(18) 701898092
set of seals for door trim panel / right

(19) 701867691A
connecting part / left front
701867691A 3KX neptune blue
701867691A 9XK light grey

(19) 701867693A
connecting part / left rear
701867693A 3KX neptune blue
701867693A 9XK light grey

19 701898094
set of connecting parts for door trim panel / right
701898094 9XK light grey

(19) 701867692A
connecting part / right front
701867692A 3KX neptune blue
701867692A 9UW sahara

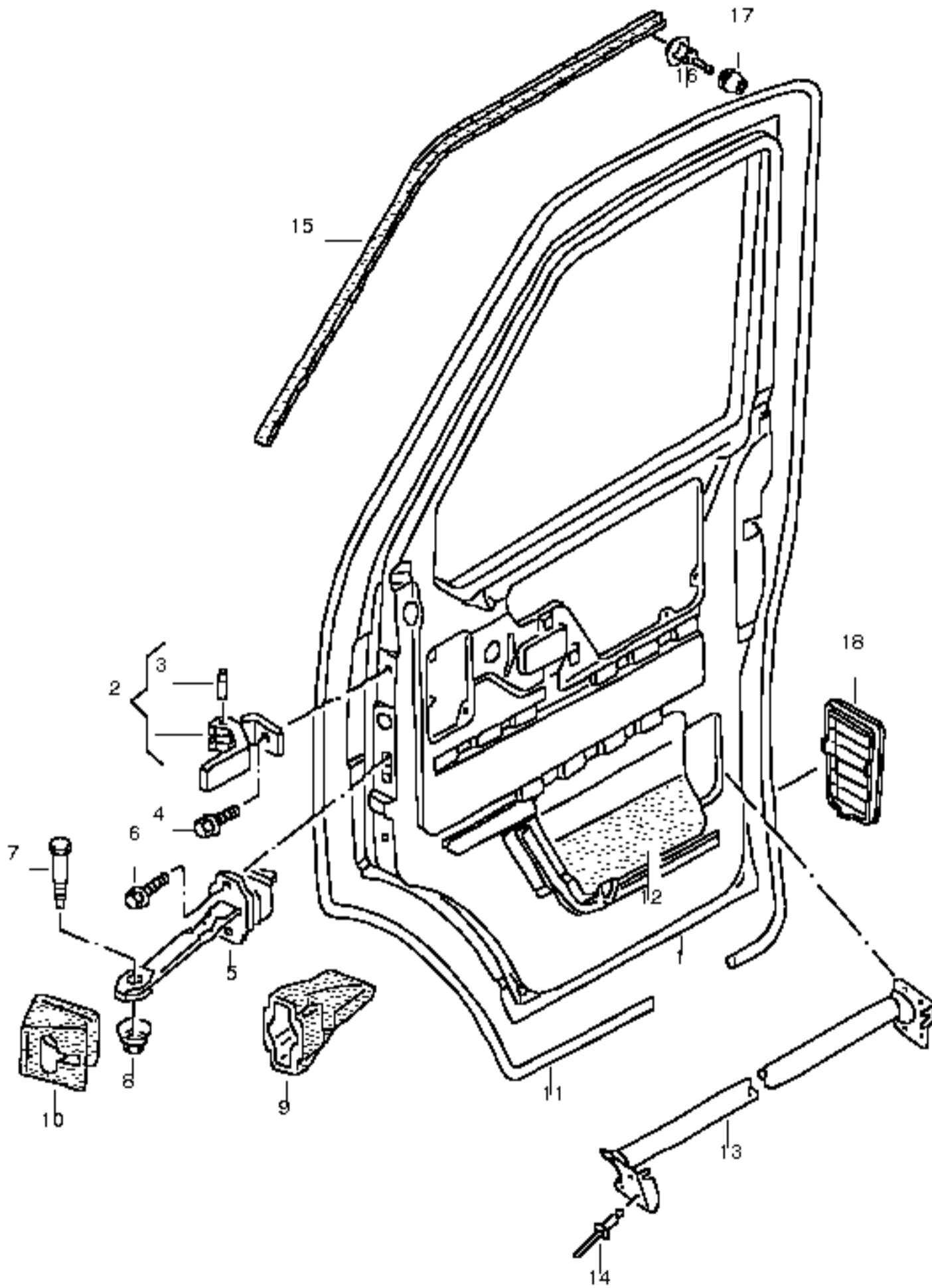
(19) 701867694A
connecting part / right rear
701867694A 3KX neptune blue
701867694A 9UW sahara

20 -----
no longer available

21 701867225D
gasket 'order unit 4'

- 533863288A
felt strip (self-adhesive) 'order unit 25' / 20X3X880MM

- 705868835
foam packing (self-adhesive)



driver and passenger door

(1) 701831055H

door / left

also use: / *>>70-T-060000

/ 701 831 737

/ (01C)

(1) 701831055J

door / left / "CDN","USA"

for vehicles with side reinforcement / "J..","AUS".

also use: / *>>70-T-060000

/ 701 831 737

/ (01C)

(1) 7D0831055C

door / left / TDI

also use: / 701 867 299 E

(1) 7D0831055E

door / left / TDI:

/ post

- 7D0831123

reinforcement / inner / post

- 701867299E

clip

701867299E J51 lagoon

701867299E U71 flannel grey

701867299E 9UW sahara

(1) 701831056H

door / right

also use: / *>>70-T-060000

/ 701 831 737

/ (01C)

(1) 701831056J

door / right / "CDN","USA",

for vehicles with side reinforcement / "J..","AUS".

use if required: / 701 831 737

/ (01C)

(1) 7D0831056C

door / right / TDI

also use: / 701 867 299 E

- 701867299E

clip

701867299E J51 lagoon

701867299E U71 flannel grey

701867299E 9UW sahara

- 701831737

locking cover

701831737 01C satin black

- N 0200251

plug / A12X1

- N 0200321

plug / A6X0,8

2 701831401

door hinge

(2) 7D0831401

door hinge / TDI

3 321831421

pin - hinge

only for: / 701 831 401

4 N 90322601

hexagonal head bolt / M10X27

(4) N 90691901

hexagon head bolt c/w shoulder / M10X30 / TDI

5 701837249A

check rod - door

6 N 0143401

hexagonal head bolt / M6X10

7 357837257

pin / 8/M6X27

8 357837270

hexagonal nut / M6

F >> 70-T-025 000*

(8) 701837270A

lock nut / M6

F 70-T-025 001>>*

9 191837323A

boot

10 701837341

covering

check rod - door

(11) 7D0837911

door seal / left

11 7D0837912

door seal / right

12 323863950

sound absorber (self-adhesive) 'order unit 6' / 550X250X2

13 701831505A

side reinforcement / "USA","CDN",

/ "AUS"

14 N 90594502

torx socket head combi-bolt / M8X18-H

(15) 7D0837761B

gasket / left upper

15 7D0837762

gasket / right upper

16 701837069

clip

17 701837069

clip

18 701831735

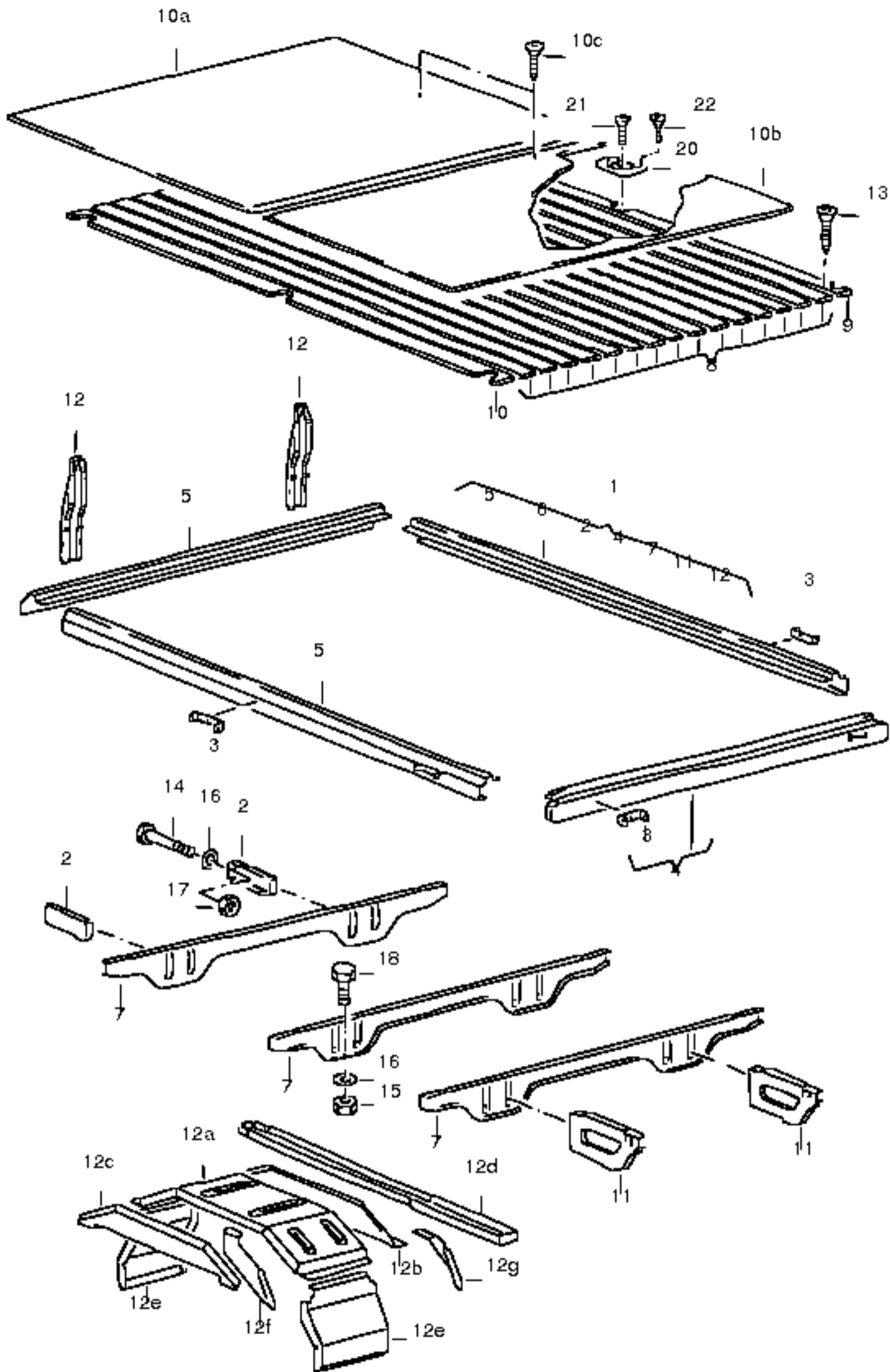
vent trim

701831735 01C satin black

(18) 701831737

locking cover

701831737 01C satin black



dropside bed frame / pick-up
cross member

1 707801091C
dropside bed frame / pick-up
wheelbase: / 2920MM

(1) 727801091E
dropside bed frame / pick-up
wheelbase: / 3320MM

(1) 727801091H
dropside bed frame / pick-up
wheelbase: / 3320MM
for vehicles with low loader pick-up

(1) 729801091C
dropside bed frame / double cab
wheelbase: / 3320MM

2 707801245
support / left front

(2) 707801246
support / right front

(2) 727801249
support / front
for vehicles with low loader pick-up

3 707801409
hinge bearing

- 245829419
plug

4 707801421A
frame part with hinge mounting / rear

5 707801421A
frame part with hinge mounting / front

(5+6) 707801399C
frame part with hinge mounting / side / pick-up
wheelbase: / 2920MM

(5+6) 727801399E
frame part with hinge mounting / side / pick-up
wheelbase: / 3320MM

(5+6) 729801399C
frame part with hinge mounting / side / double cab

7 707801461
cross member
wheelbase: / 2920MM
wheelbase: / 3320MM

(7) 707801461A
cross member with supp. plate

(7) 727801461
cross member
for vehicles with low loader pick-up

- 707801473
reinforcement for cross member / left

- 707801474
reinforcement for cross member / right
mounting parts for body to chassis

10A 727801482B
floorboard / 1543,5X1807X18
adapt with workshop equipment / heavy-duty
/ front

10B 727801484C
floorboard / 1345,5X1807X18
adapt with workshop equipment / heavy-duty
/ rear

10C N 90047901
countersunk panel screw / ST5,5X34-C

11 707801583
support / rear / pick-up

(11) 727801583
support / rear / low-loader pick-up

12 707829083
support / front

(12) 727829083A
support
BORDWAND
for low-loader pick-up

12A 727801563
wheel cover / upper
for vehicles with low loader pick-up

12B 727801565
wheel cover / inner
for vehicles with low loader pick-up

12C 727801571
wheel cover / outer
for vehicles with low loader pick-up

12D 727801573
longitudinal member
for: wheel cover
for vehicles with low loader pick-up

12E 727801627
wheel cover / front and rear
for vehicles with low loader pick-up

12F 727801629
bracket for wheel cover / left
for vehicles with low loader pick-up

(12F) 727801630
bracket for wheel cover / right
for vehicles with low loader pick-up

12G 727801635
reinforcement for wheel cover / left
for vehicles with low loader pick-up

(12G) 727801636
reinforcement for wheel cover / right
for vehicles with low loader pick-up

14 N 01047211
hexagonal head bolt / M10X85

15 N 10286102
shouldered hex. nut, self-locking / M10

16 N 0116726
washer / B10,5X30X2,5

17 N 0230047
shouldered hex. nut, self-locking / AM10

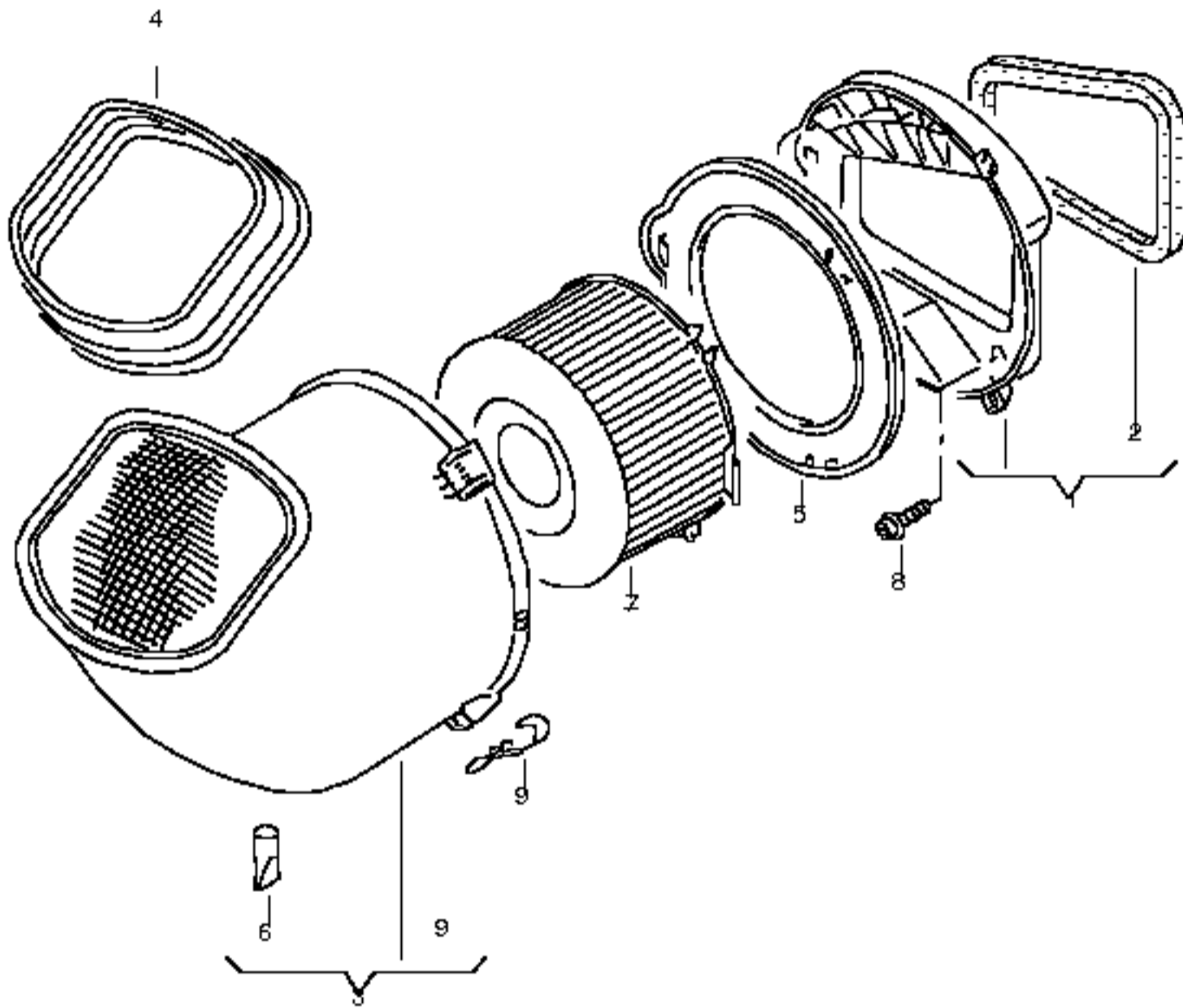
18 N 90274301
hexagonal head bolt / M10X30

20 707801977A
tie-down eye

21 N 10288401
countersunk bolt / M10X40

22 N 90047901
countersunk panel screw / ST5,5X34-C

(22) N 0141085
oval hd. csk. self-tapp. screw / B5,5X16



169 619 19 12/95

dust and pollen filter

1 701819077B

connecting piece / rear lhd
heater

(1) 702819077B

connecting piece / rear rhd
heater

2 701819142

gasket

(3) 701815915C

filter housing / lhd

(3) 7D2815915

filter housing / rhd

also use: / N 105 137 01

- N 10513701

retainer / A10X6,5XC6-8

4 701815921A

insert / lhd

(4) 702815921A

insert / rhd

5 701815925

retainer

6 703815942A

water drain valve

7 7D0819989

air cleaner element

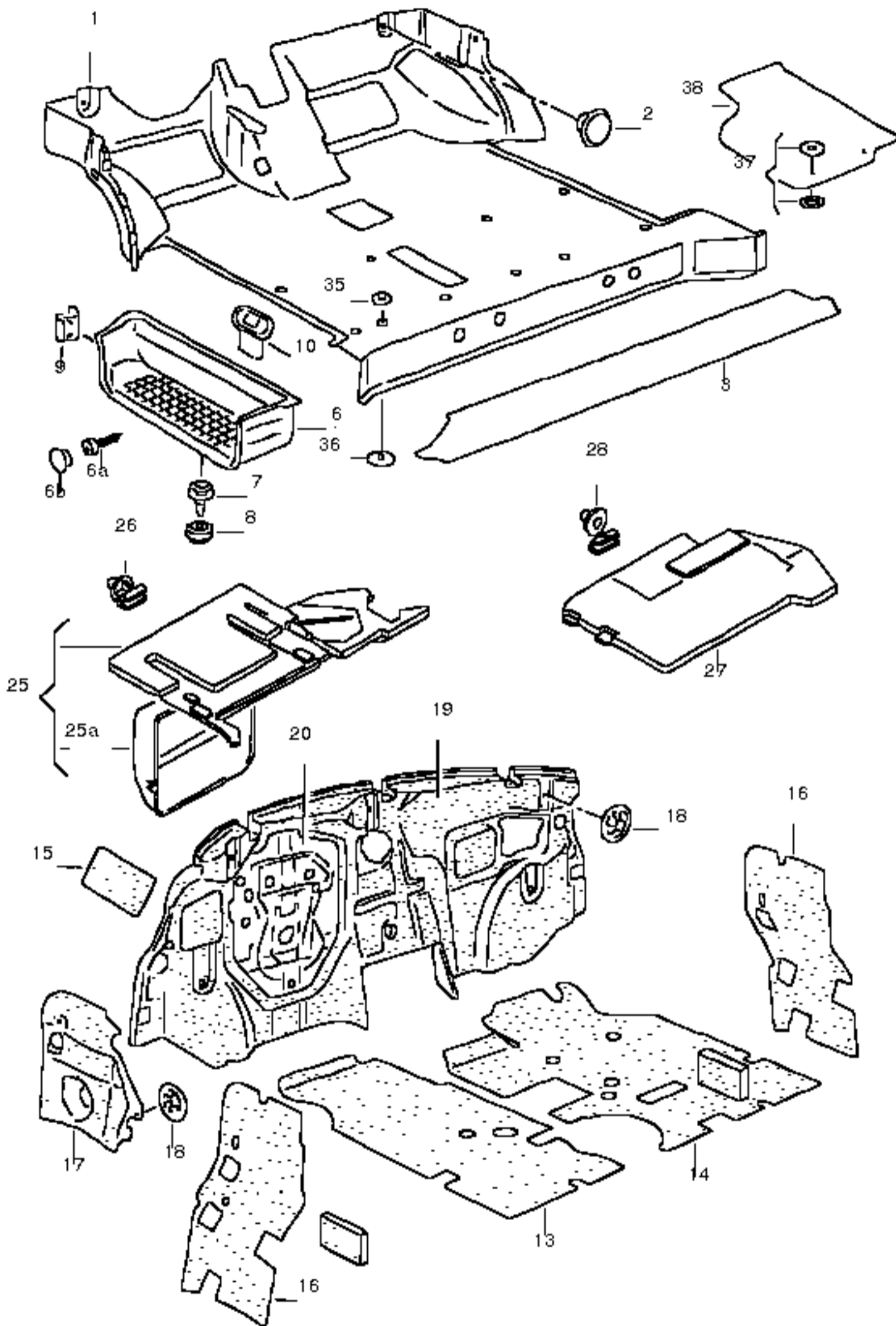
8 N 10080102

allen key head bolt (combi) / M6X25

9 1H0129797

sealing clip / lhd

/ rhd



floor covering and sound abs.

drivers cab

floor cover / velours

drivers cab

(1) 705863711F

floor cover / velours

/ lhd

705863711F A09 light grey

705863711F B38 grey/black

705863711F 3JY neptune blue

705863711F 7UU sahara

(1) 7D1863711L

floor cover / velours

LTMCHER F?R SITZBEF.VON 42 AUF / lhd

34MM AB 4/96 VERKLEINERT

7D1863711L 6EV flannel grey

(1) 706863711D

floor cover / velours

/ rhd

706863711D A09 light grey

706863711D 3JY neptune blue

706863711D 7UU sahara

(1) 706863711D

floor cover / velours / MULTIVAN,

/ rhd / camp- mobile

706863711D B38 grey / -DE,GH

2 N 90357702

press stud / 9,5X8X30

N 9035770201C satin black

N 903577023KX neptune blue

N 903577029XK light grey

floor cover / rubber

(1) 701863711D

floor cover (rubber) / lhd

701863711D 041 black

(1) 701863711E

floor cover (rubber) / lhd

for models with partition

701863711E 041 black

(1) 701863711E

floor cover (rubber) / lhd / double cab

for models with partition

701863711E 041 black

(1) 702863711B

floor cover (rubber) / rhd

702863711B 041 black

(1) 702863711C

floor cover (rubber) / rhd

for models with partition

702863711C 041 black

(1) 702863711C

floor cover (rubber) / rhd / pick-up

/ double cab

702863711C 041 black

(1) 707863711C

floor cover (rubber) / lhd / pick-up

707863711C 041 black

3 708863713

floor cover (rubber) / rear rhd / pick-up

708863713 041 black

(3) 708863713C

floor cover (rubber) / rear rhd / pick-up

708863713C 041 black

step insert

(6) 701863736B

step insert / right front

701863736B 2BC graphite

(6) 701863736C

step insert / right front

701863736C 2BC graphite

(6) 705863736B

step insert / right front / MULTIVAN,

/ CAMPING-

/ WAGEN,

/ ambulance

705863736B 2BC graphite

(6) 705863736C

step insert / right front

705863736C 2BC graphite

(6) 701863735A

step insert / left front / delivery van

701863735A 2BC graphite

(6) 705863735A

step insert / left front / bus

705863735A 2BC graphite

7 701853585

clip

shorten if necessary

8 357853586D

grommet

9 701867331A

clips

10 701863787

grommet

sound absorbers

sound absorber for floor / left front

make up from: / 323 863 950

sound absorber for floor / right front

make up from: / 323 863 950

sound absorber for cross panel / diesel eng.

make up from: / 323 863 950

sound absorber-pillar b / left/right

make up from: / 323 863 950

- 323863950

sound absorber (self-adhesive) 'order unit 6' / 550X250X2

17 7D0864953

sound absorber-pillar a / left lower

(17) 7D0864954

sound absorber-pillar a / right lower

18 N 90335004

clamping washer / 5X30

19 7D0863925

sound absorber for cross panel / inner lhd

(19) 7D2863933A

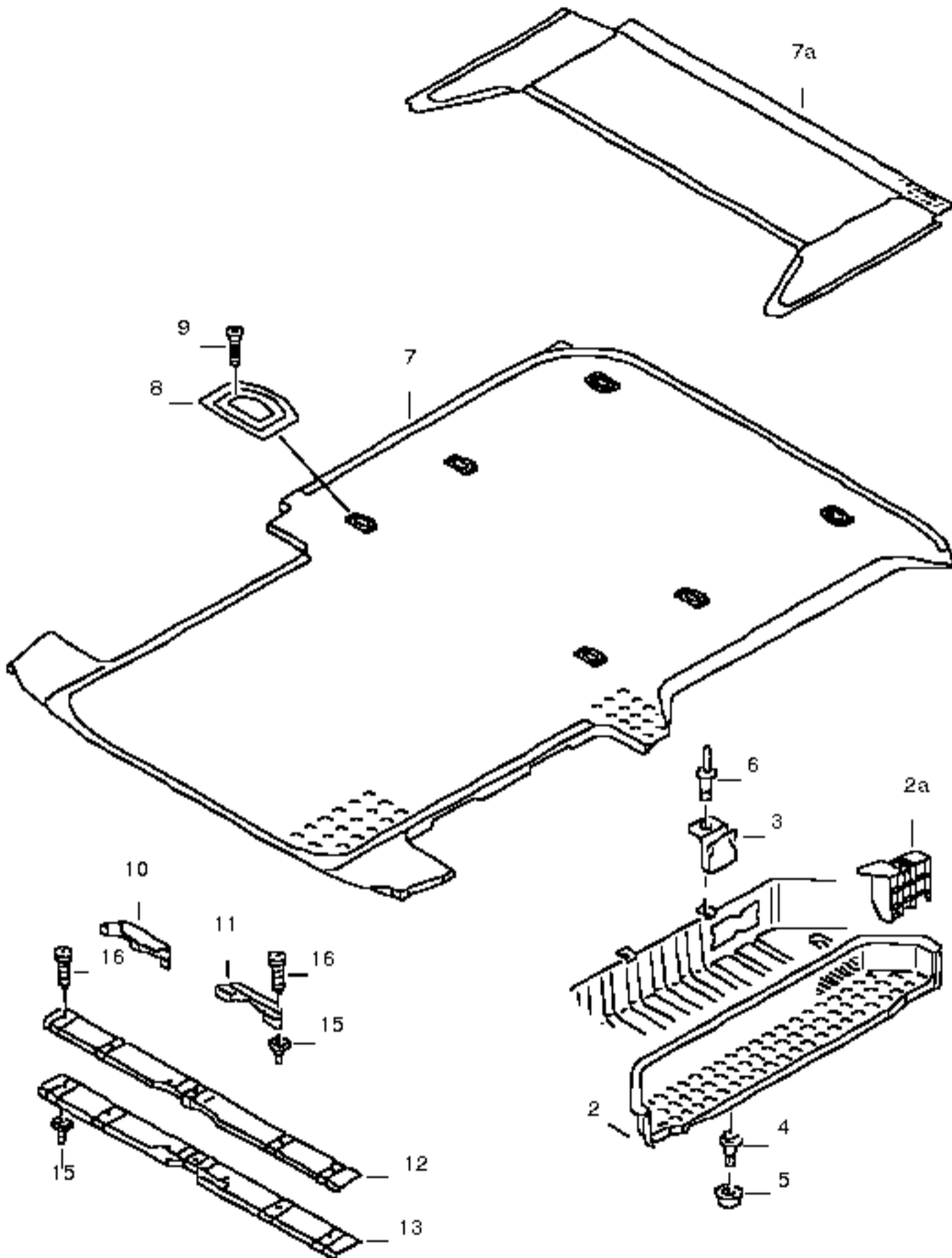
sound absorber for cross panel / inner rhd

(20) 7D1863939B

sound absorber for pedal plate / lhd

(20) 702863939C

sound absorber for pedal plate / rhd



floor covering and sound abs. / delivery van
for passenger compartement / kombi van
step insert / bus
/ double cab

floor covering and sound abs. / delivery van

2A 701864745
retaining frame
for vehicles with step insert
for sliding door
F 70-T-060 001>>

(2) 701863725A
step insert / left / delivery van
sliding door / kombi van
rework if necessary
701863725A 2BC graphite

2 701863726A
step insert / right / delivery van
sliding door / kombi van
/ MULTIVAN
701863726A 2BC graphite

(2) 7D0863726C
step insert / right / delivery van
sliding door / kombi van
/ MULTIVAN
7D0863726C 2BC graphite

(2) 701863725A
step insert / left
701863725A 2BC graphite

(2) 729863725
step insert / left / double cab
729863725 2BC graphite

(2) 729863726
step insert / right / double cab
729863726 2BC graphite

(2) 729863726A
step insert / right / double cab
729863726A 2BC graphite

3 701863727
retaining clip

4 701853585
clip
shorten if necessary

5 357853586D
grommet

6 N 90437401
pop-rivet / A4,8X10

floor cover / wood

(7) 703863705
floor plate with lining / front lhd / MULTIVAN
/ plastic
703863705 B43 light grey
703863705 42L grey/silver

(7) 703863705M
floor plate with lining / front lhd / MULTIVAN
/ plastic
703863705M B43 light grey

(7) 703863705J
wooden floor / front lhd / ALLSTAR,
(plastic) / CLASSIC
703863705J B43 light grey

(7) 703863717
floor plate with lining / rear lhd / MULTIVAN
/ plastic
703863717 B43 light grey

floor cover / rubber

7 701863731
floor cover (rubber)
for vehicles with sliding door / right
for models with wheelbase: / 2920MM
701863731 041 black

(7) 701863731G
floor cover (rubber)
for vehicles with sliding door / right
for models with wheelbase: / 2920MM
701863731G 041 black

(7) 701863731A
floor cover (rubber)
for vehicles with sliding door / left
for models with wheelbase: / 2920MM
701863731A 041 black

(7) 701863731H
floor cover (rubber)
for vehicles with sliding door / left
for models with wheelbase: / 2920MM
701863731H 041 black

(7) 701863731B
floor cover (rubber)
for vehicles with sliding door / left a. right
for models with wheelbase: / 2920MM
701863731B 041 black

(7) 701863731J
floor cover (rubber)
for vehicles with sliding door / left a. right
for models with wheelbase: / 2920MM
701863731J 041 black

(7) 721863731
floor cover (rubber)
for vehicles with sliding door / right
for models with wheelbase: / 3325MM
721863731 041 black

(7) 721863731C
floor cover (rubber)
for vehicles with sliding door / right
for models with wheelbase: / 3325MM
721863731C 041 black

(7) 721863731A
floor cover (rubber)
for vehicles with sliding door / left
for models with wheelbase: / 3325MM
721863731A 041 black

(7) 721863731D
floor cover (rubber)
for vehicles with sliding door / left
for models with wheelbase: / 3325MM
721863731D 041 black

(7) 721863731B
floor cover (rubber) / left a. right
for vehicles with sliding door
for models with wheelbase: / 3325MM
721863731B 041 black

(7) 721863731E
floor cover (rubber)
sliding door / left a. right
for models with wheelbase: / 3325MM
721863731E 041 black

7A 729863731
floor cover (rubber) / double cab
729863731 041 black

(7A) 729863731K
floor cover (rubber) / double cab
729863731K 041 black

floor cover / velours

- 357898250
1 set of velcro + baize strip / 25X500 / ALLSTAR

- 8G0864993

clip

(7) 703863731F
floor cover / velours / MULTIVAN
lining insert / ALLSTAR,
/ CLASSIC
703863731F A09 light grey

(7) 705863731F
floor cover / velours
for vehicles with sliding door / right
for vehicles with sliding door / left/right
for models with wheelbase: / 2920MM
705863731F A09 light grey
705863731F 3JY neptune blue
705863731F 7UU sahara

(7) 705863731R
floor cover / velours
for vehicles with sliding door / right
for vehicles with sliding door / left/right
for models with wheelbase: / 2920MM
705863731R A09 light grey
705863731R 3JY neptune blue
705863731R 7UU sahara

(7) 705863731G
floor cover / velours
for vehicles with sliding door / left
for models with wheelbase: / 2920MM
705863731G A09 light grey
705863731G 3JY neptune blue
705863731G 7UU sahara

(7) 705863731S
floor cover / velours
for vehicles with sliding door / left
for models with wheelbase: / 2920MM
705863731S A09 light grey
705863731S 3JY neptune blue
705863731S 7UU sahara

(7) 725863731F
floor cover / velours
for vehicles with sliding door / right
for vehicles with sliding door / left/right
for models with wheelbase: / 3325MM
725863731F A09 light grey
725863731F 7UU sahara
725863731F 3JY neptune blue

(7) 725863731Q
floor cover / velours
for vehicles with sliding door / right
for vehicles with sliding door / left/right
for models with wheelbase: / 3325MM
725863731Q A09 light grey
725863731Q 3JY neptune blue
725863731Q 7UU sahara

(7) 725863731G
floor cover / velours
for vehicles with sliding door / left
for models with wheelbase: / 3325MM
725863731G A09 light grey
725863731G 3JY neptune blue
725863731G 7UU sahara

(7) 725863731R
floor cover / velours
for vehicles with sliding door / left
for models with wheelbase: / 3325MM
725863731R A09 light grey
725863731R 3JY neptune blue
725863731R 7UU sahara

10 701863487
cover for lock carrier / kombi van
for wing door / delivery van
without
floor cover
701863487 2BC graphite

11 701863487B
cover for lock carrier / kombi van
/ delivery van
701863487B 2BC graphite

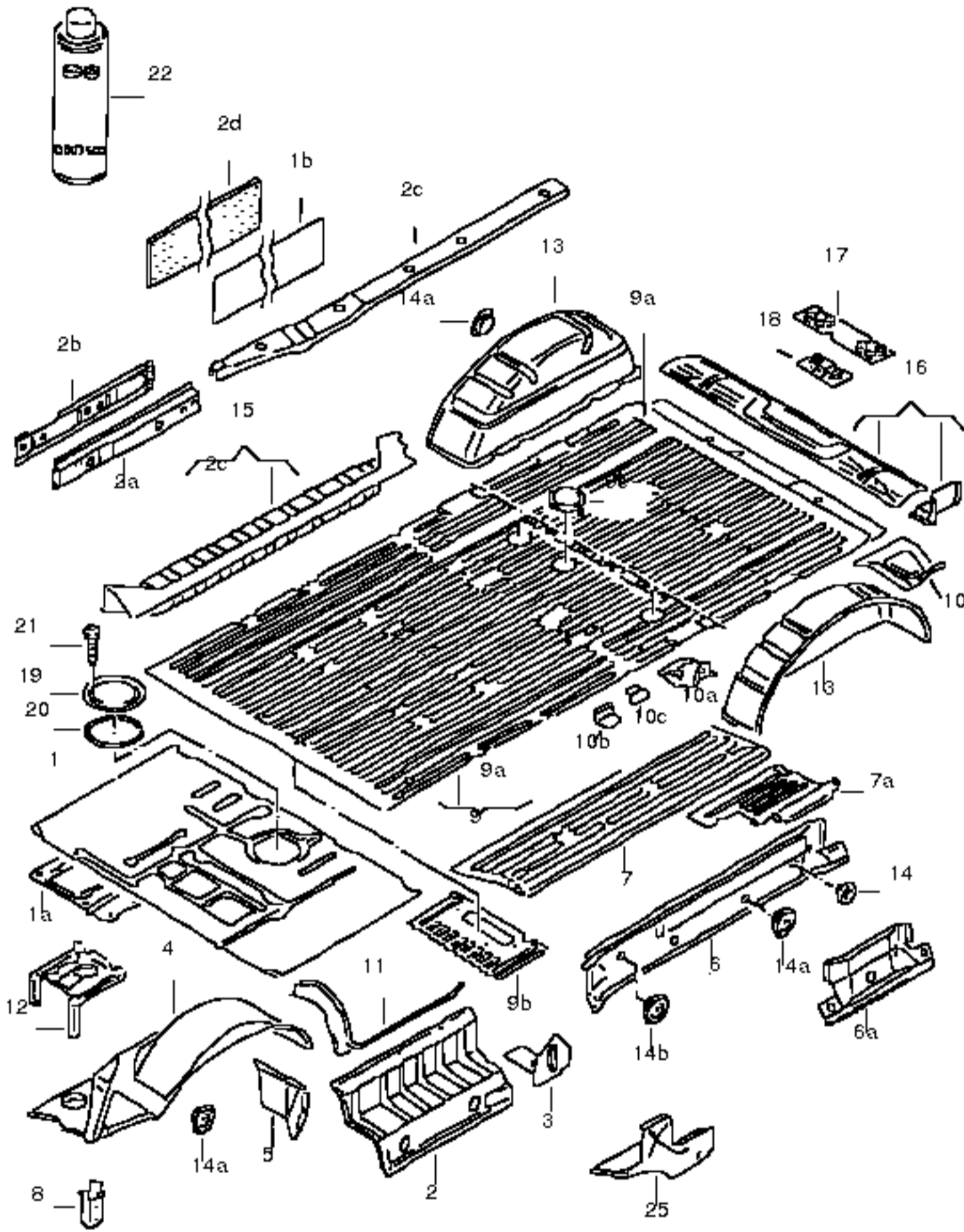
12 705863487
cover for lock carrier / bus
for wing door
705863487 2BC graphite

13 705863487A
cover for lock carrier / bus
705863487A 2BC graphite

(15) 701864445A
insert nut
F >> 70-T-050 000*

(15) 701864445B
insert nut
F 70-T-050 001>>*

16 N 0139713
oval head panel screw / B4,8X22



floor plate / front center / delivery van

/ rear / kombi van
step / bus

wheel housing / rear / pick-up
door frame lower part / double cab

runner for sliding door

1 7D0802205B
floor plate / front

1A 701801079
support plate
see illustration: / 713-10

2 701801173
step / left

(2) 701801174A
step / right
F >>> 70-T-060 000*

(2) 701801174B
step / right
F 70-T-060 001>>>*

- 323863950
sound absorber (self-adhesive) 'order unit 6' / 550X250X2

3 701801179
filler plate

4 701801243C
wheel housing / left front
adapt with workshop equipment

(4) 7D0801244B
wheel housing / right front
adapt with workshop equipment

5 701801249
filler plate for wheel housing / left front

(5) 701801250
filler plate for wheel housing / right front
F >>> 70-T-060 000*

(5) 701801268A
filler plate for wheel housing / right front
F 70-T-060 001>>>*

6 7D1801253B
rip plate for floor plate / left / delivery van
/ kombi van
/ bus

(6) 729801253
rip plate for floor plate / left / double cab

(6) 701801254
rip plate for floor plate / right
F >>> 70-T-060 000* / kombi van
/ bus
/ delivery van

(6) 7D1802256
rip plate for floor plate / right
F 70-T-060 001>>>* / kombi van
/ bus
/ delivery van

(6) 701801254A
rip plate for floor plate / right
for vehicles with auxiliary heater
F >>> 70-T-060 000* / delivery van
/ kombi van
/ bus

(6) 7D1802256A
rip plate for floor plate / right
for vehicles with auxiliary heater
F 70-T-060 001>>>* / delivery van
/ kombi van
/ bus

(6) 729801254
rip plate for floor plate / right / double cab

6A 721801255
extension for side panel / left / delivery van
wheelbase: / 3320MM / kombi van
/ bus

(6A) 721801256
extension for side panel / right
wheelbase: / 3320MM
F >>> 70-T-060 000* / delivery van
/ kombi van
/ bus

(6A) 721801256B
extension for side panel / right
wheelbase: / 3320MM
F 70-T-060 001>>>* / delivery van
/ kombi van
/ bus

7 7D1801257
filler plate / left / delivery van
sliding door / right / kombi van
/ bus

(7) 7D7801257
filler plate / left / double cab

(7) 701801258
filler plate / right
sliding door / left
F >>> 70-T-060 000* / delivery van
/ kombi van
/ bus

(7) 7D1801258
filler plate / right
F 70-T-060 001>>>* / delivery van
/ kombi van
/ bus

(7) 729801258
filler plate / right
F >>> 70-T-060 000* / double cab

(7) 729801258A
filler plate / right
F 70-T-060 001>>>* / double cab

7A 7D3801263
extension for reinforcement / left / delivery van
wheelbase: / 3320MM / kombi van
/ bus

(7A) 7D3801264
extension for reinforcement / right
wheelbase: / 3320MM
F >>> 70-T-060 000* / delivery van
/ kombi van
/ bus

(7A) 7D3801264
extension for reinforcement / right
wheelbase: / 3320MM
F 70-T-060 001>>>* / delivery van
/ kombi van
/ bus

8 701801277
bracket for bumper / left

(8) 701801278
bracket for bumper / right

9 7D1801403E
floor plate / rear center / delivery van
for models with wheelbase: / 2920MM / kombi van
/ bus

(9) 707801403
floor plate / rear
F >>> 70-T-060 000* / pick-up

(9) 707801403B
floor plate / rear
F 70-T-060 001>>>* / pick-up

(9) 7D3801403A
floor plate / rear center / delivery van
for models with wheelbase: / 3320MM / kombi van
/ bus

(9) 729801403
floor plate / center / double cab

9A 701801411
sub-part - floor plate / rear / delivery van
for models with wheelbase: / 2920MM / kombi van
/ bus

(9A) 721801411
sub-part - floor plate / rear / delivery van
for models with wheelbase: / 3320MM / kombi van
/ bus

9B 701801542
insert plate
for vehicles with additional heat exch.

(9B) 703801542
insert plate
for vehicles with 2nd. heat exchanger and warm air vent under 1st. seat bench

(9B) 7D1801541
insert plate
for vehicles with auxiliary heater

9C 191813589
locking cover / center / double cab

10 7D1801569A
floor plate / left / delivery van
/ kombi van
/ bus

(10) 7D1801570A
floor plate / right / delivery van
/ kombi van
/ bus

10A 701804581
filler plate / left
c-pillar, inner

(10A) 701804582
filler plate / right
F >>> 70-T-060 000*

(10A) 701804582A
filler plate / right
F 70-T-060 001>>>*

10B 701804587
angle

10C 701804589
angle
for:
c-pillar, inner

11 701801699
door frame lower part / left

(11) 701801700
door frame lower part / right
F >>> 70-T-060 000*

(11) 701801700A
door frame lower part / right
F 70-T-060 001>>>*

12 7D0805213A
bracket - battery

13 701803301
wheel housing / rear
F >>> 70-T-060 000*

(13) 701803301
wheel housing / left rear
F 70-T-060 001>>>*

(13) 7D1803426
wheel housing / right rear
F 70-T-060 001>>>*

14 803803583
plug / 30

(14) 803803583A
plug / 19

14A N 10034401
plug / 30X5,6X37

14B N 10104101
plug / 41X51X10

(15) 701803621
step / left / delivery van
runner for sliding door / kombi van
/ bus

15 701803622B
step / right / deliv. van,
runner for sliding door / kombi van
F >>> 70-T-060 000* / bus

(15) 701803622D
step / right
runner for sliding door
F 70-T-060 001>>>* / delivery van
/ kombi van
/ bus

(15) 729803621
step / left / double cab
for double cab

(15) 729802642
step / right
for double cab

16 701803717B
rear apron
for vehicles with
wing doors
also use: / 701 827 263

(16) 701803717B
rear apron
for vehicles with
tailgate/boot lid panel

17 701827263
reinforcement for apron / center
for vehicles with
wing doors

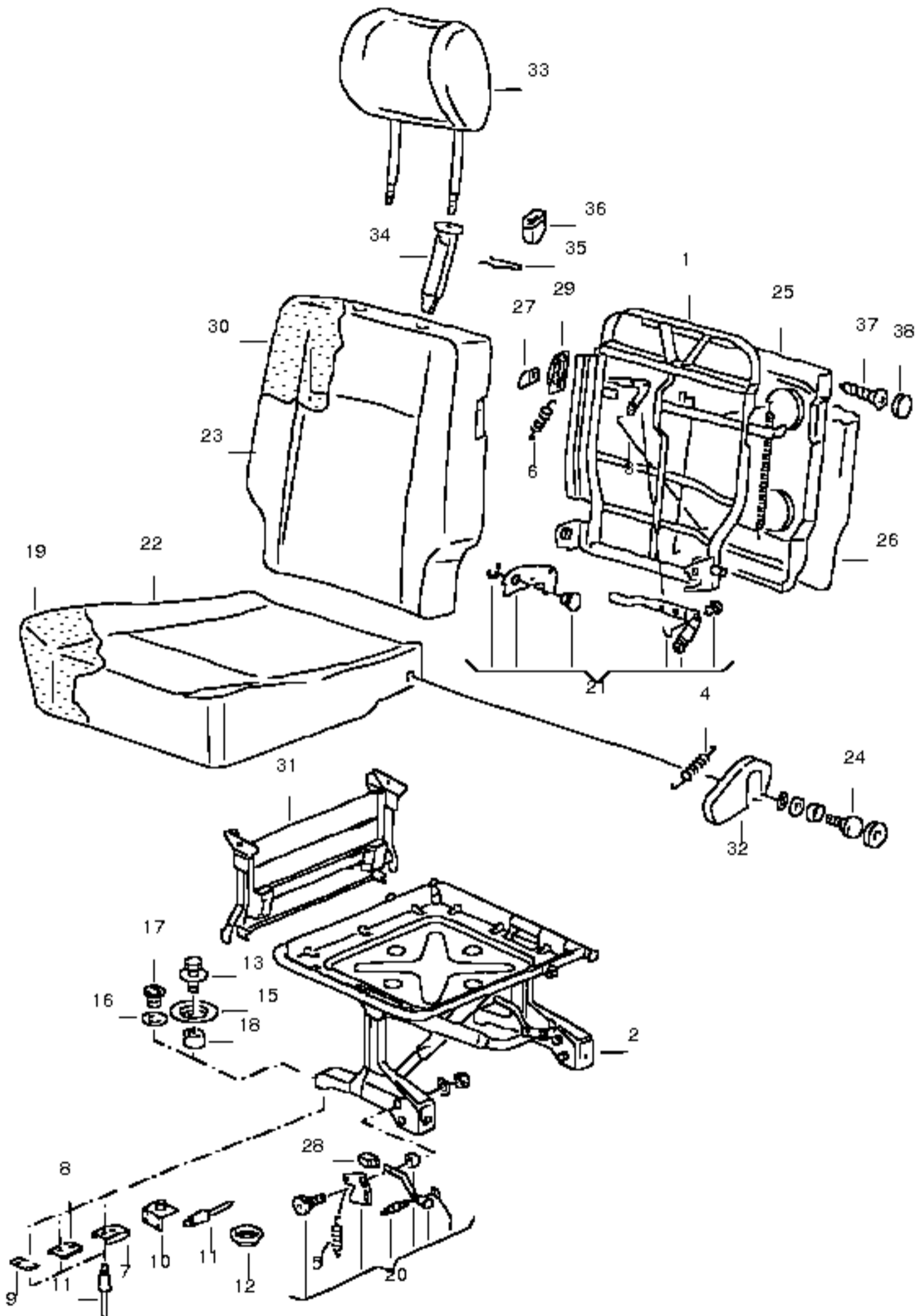
18 701827263A
reinforcement for apron / center
for vehicles with
tailgate/boot lid panel

19 701803959A
cover for sender unit

20 321803963
seal

21 N 0139655
oval head panel screw / B4,2X9,5

22 D 003500
long-life underseal / 1.0 ltr.



folding seat in passeng. comp.

- 703883028A
 seat and backrest complete (without cover) / right / PR-N0A,N0C,
 / N0J
 for service installation
 (folding)
 also use: / POS. 22,23,
 / 703 883 857 A
 / 703 883 858 A
 / in appropriate colour.

- 705883028
 seat and backrest complete (without cover) / right / PR-N0F
 for service installation
 (folding)
 also use: / POS. 22,23,
 / 705 883 622,
 / 703 883 857 A
 / 703 883 858 A
 / in appropriate colour.

(1) 703883045G
 backrest frame / left

1 703883046A
 backrest frame / right

2 703883061J
 seat frame / left

(2) 703883062A
 seat frame / right

3 703883257
 bowden cable / right outer
 / left outer

(3) 703883257A
 bowden cable / right inner
 / left inner

4 703883259
 tension spring

5 703883260
 tension spring

6 703883261
 tension spring

7 703883281
 retaining plate

8 703883281A
 retaining plate

9 703883281B
 retaining plate

10 703883281D
 retaining plate
 list of uses
 see illustration: / 885-30

11 N 90478601
 pop-rivet / A4,8X11

(12) 703883298B
 damping ring

(13) 703883297A
 attachment bolt / 23MM

(13) 723883297A
 attachment bolt / 34MM

16 111857779
 gasket / 28X10,4X1,5

17 253857785
 plug / M10
 253857785 01C satin black

18 281857790
 spacer bush

19 703883375C
 padding for seat

20 703883385
 seat release

21 703883385A
 backrest catch

22 703883405T
 seat cover (cloth)
 703883405T DNB beaver/light grey / -UA,WE
 703883405T DNC beaver/sahara / -UD,WH

(22) 703883405AA
 seat cover (cloth/leatherette)
 703883405AACEF dark grey / -BR,BU

(22) 703883405L
 seat cover (leatherette)
 703883405L AHA light grey / -LA,MD
 703883405L AHB sahara / -LM,ME

(22) 705883405
 seat cover (cloth) / CARAVELLE GL
 705883405 AGU light grey / -ES
 705883405 AGW sahara / -ET

23 703883455AM
 backrest cover (cloth)
 703883455AMDNC beaver/light grey / -UA,WE
 703883455AMDNC beaver/sahara / -UD,WH

(23) 703883455AN
 backrest cover (cloth/leatherette)
 703883455ANCEF dark grey / -BR,BU

(23) 703883455AC
 backrest cover (leatherette)
 703883455ACAHB sahara / -LM,ME

(23) 705883455L
 backrest cover (cloth) / CARAVELLE GL
 705883455L AGU light grey / -ES
 705883455L AGV neptune blue / -EF
 705883455L AGW sahara / -ET

24 703883583
 clinch bolt

25 705883621
 trim panel for rear panel / left / PR-N0F:
 / CARAVELLE GL
 705883621 3KX neptune blue / -EF
 705883621 9UW sahara / -ET
 705883621 9XK light grey / -ES

(25) 705883622
 trim panel for rear panel / right / PR-N0F:
 / CARAVELLE GL
 705883622 3KX neptune blue / -EF
 705883622 9UW sahara / -ET
 705883622 9XK light grey / -ES

26 703883611D
 rear panel trim / PR-N0A/N0C/
 / N0J

27 703883633A
 knob
 703883633A 01C satin black

28 703883637
 knob / left
 703883637 01C satin black

(28) 703883638
 knob / right
 703883638 01C satin black

29 703883645
 covering
 703883645 01C satin black
 703883645 9UW sahara / -ET,LM,ME,UD, / WH

30 703883775E
 padding for backrest / PR-N0A/N0C/
 / N0J

(30) 705883775A
 padding for backrest / left / PR-N0F:
 / CARAVELLE GL

(30) 705883776
 padding for backrest / right / PR-N0F:
 / CARAVELLE GL

31 703883855A
 trim
 703883855A 01C satin black

32 703883857A
 trim / left
 703883857A 3KX neptune blue / -EF
 703883857A 9UW sahara / -ET,LM,ME,UD, / WH
 703883857A 9XK light grey / -BR,ES,LA,MD, / UA,WE

(32) 703883858A
 trim / right
 703883858A 3KX neptune blue / -EF
 703883858A 9UW sahara / -ET,LM,ME,UD, / WH
 703883858A 9XK light grey / -BR,ES,LA,MD, / UA,WE

head restraint with cover
 see illustration: / 881-50

34 1H0881939
 guide
 1H0881939 B41 satin black

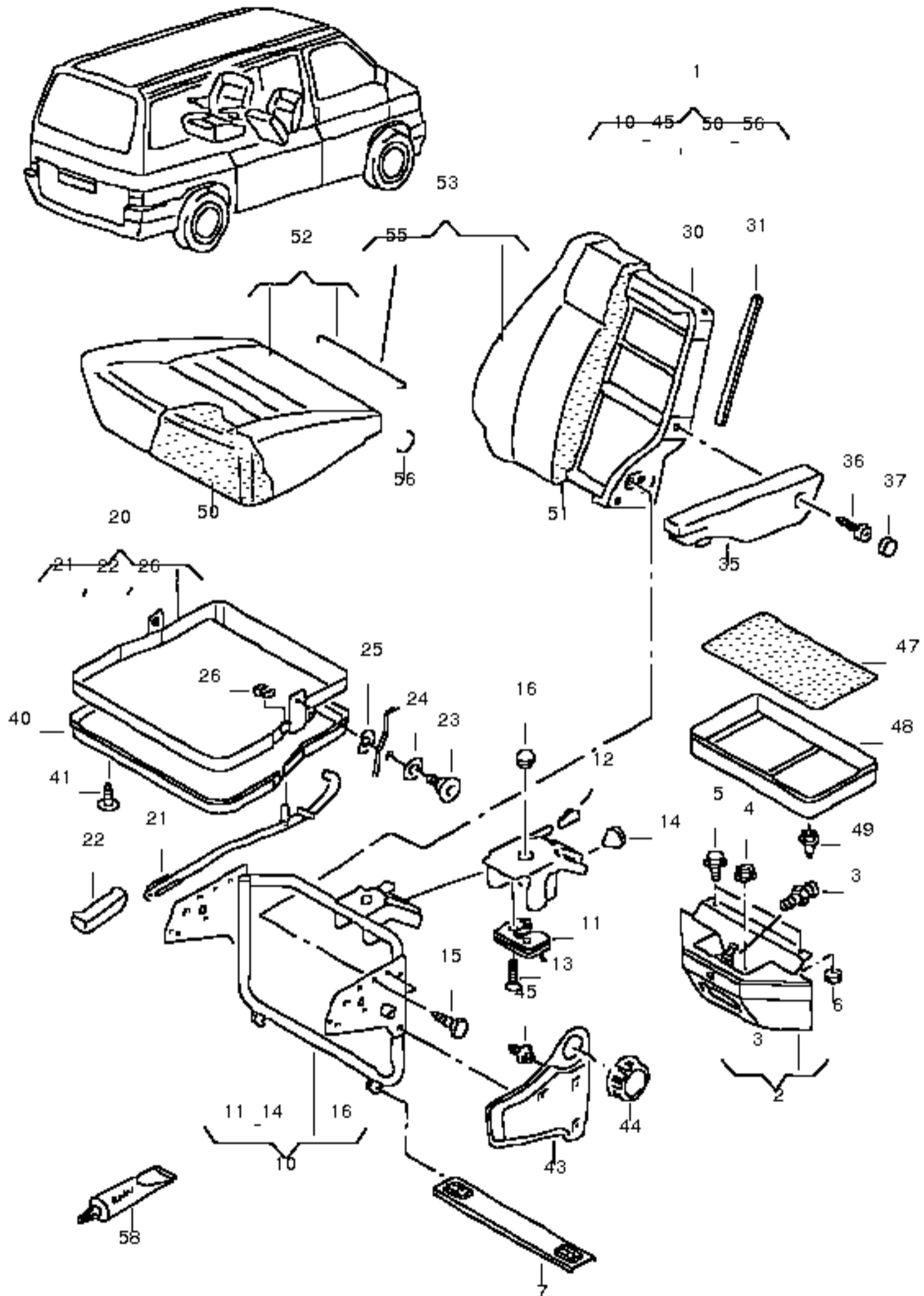
(34) 357881939A
 guide with push button for adjustable head restraint / CARAVELLE GL
 357881939A 01C satin black

35 703885635
 clip for guide

36 703885639
 handle
 703885639 01C satin black

37 171867167A
 panel screw / B4,2X21

38 311867169
 cap for screw
 311867169 01C satin black



folding seat in passeng. comp.

2 703883273
seat box
703883273 2DP flannel grey

3 357837034
lock pin

4 N 01100830
hexagonal nut / M8

5 N 10009202
hexagon head bolt (combi) / M6X20-Z2 / ABZ

6 N 02214811
hexagon nut, self-locking / VM6

7 703883281H
retain. strip for folding seat

10 703883311A
seat frame
703883311A 01A black

11 703883389
lock

12 703883393
cover cap

13 N 0214163
oval head countersunk bolt / M8X32

14 N 0200251
plug

15 N 0147091
allen key head bolt / M8X22

20 703883305A
seat well

21 255887391
lever
255887391 01C black

22 171881253
handle
171881253 01C satin black

23 N 90022801
allen key head bolt / M10X12

24 251857854
concave spring washer

25 N 0122323
spring washer / B12X24X1,2

26 N 0124362
lock washer / 6

30 703883045K
backrest frame

31 701881757A
protective cover

(35) 701881081
armrest (cloth) / left / PR-NOA

701881081 DNB beaver/light grey / -UA,WE

701881081 DNC beaver/sahara / -UD,WH,ZZ

(35) 701881081B
armrest (cloth) / left / PR-NOA

701881081B DNB beaver/light grey / -UA,WE

701881081B DNC beaver/sahara / -UD,WH,ZZ

35 701881082
armrest (cloth) / right / PR-NOA

701881082 DNB beaver/light grey / -UA,WE

701881082 DNC beaver/sahara / -UD,WH,ZZ

(35) 701881082B
armrest (cloth) / right / PR-NOA

701881082B DNB beaver/light grey / -UA,WE

701881082B DNC beaver/sahara / -UD,WH,ZZ

(35) 703883081
armrest / left / PR-N0C

703883081 5XV sahara / -LM,ME

703883081 9XT light grey / -LA,MD

(35) 703883082
armrest / right / PR-N0C

703883082 5XV sahara / -LM,ME

703883082 9XT light grey / -LA,MD

(35) 703881081C
armrest (cloth) / left / ALLSTAR

703881081C DGW light grey / -02

(35) 703881081H
armrest (cloth) / left / ALLSTAR

703881081H DGW light grey / -02

(35) 703881082C
armrest (cloth) / right / ALLSTAR

703881082C DGW light grey / -02

(35) 703881082H
armrest (cloth) / right / ALLSTAR

703881082H DGW light grey / -02

36 N 0147263
allen key head bolt / M8X30

37 701881979A
plug
701881979A 9UW sahara
701881979A 9XK light grey

40 703883339
covering
703883339 4FB black

41 N 90478501
plug / 6X14
N 9047850101C satin black

(43) 703883893
lining / left
703883893 2VW light grey

(43) 703883893A
lining / left
703883893A 2VW light grey

43 703883894
lining / right
703883894 2VW light grey

(43) 703883894A
lining / right
703883894A 2VW light grey

44 357881671
adjustment knob
357881671 4FB black

45 703883932
clip

47 7D0858587B
insert for stowage box
7D0858587B 01C satin black

48 703883949A
shelf/stowage compartment
703883949A 01C satin black

49 703867299
clip

50 701881375C
padding for seat

51 701881775B
padding for backrest

52 701881405R
seat cover (cloth)

701881405R DNB beaver/light grey / -UA,WE

701881405R DNC beaver/sahara / -UD,WH,ZZ

(52) 701881405
seat cover (leatherette) / PR-N0C

701881405 AHA light grey / -LA,MD

701881405 AHB sahara / -LM,ME

701881405 9XW sahara / -NA

(52) 703881405M
seat cover (cloth) / ALLSTAR

703881405M DGW light grey / -02

53 703883455AP
backrest cover (cloth) / PR-NOA

703883455APDNB beaver/light grey / -UA,WE

703883455APDNC beaver/sahara / -UD,WH,ZZ

(53) 701881805Q
backrest cover (leatherette) / PR-N0C

701881805Q 9XW sahara / -NA

(53) 703883455BD
backrest cover (leatherette) / PR-N0C

703883455BDAHA light grey / -LA,MD

(53) 703883455BG
backrest cover (cloth) / ALLSTAR

703883455BGDGW light grey / -02

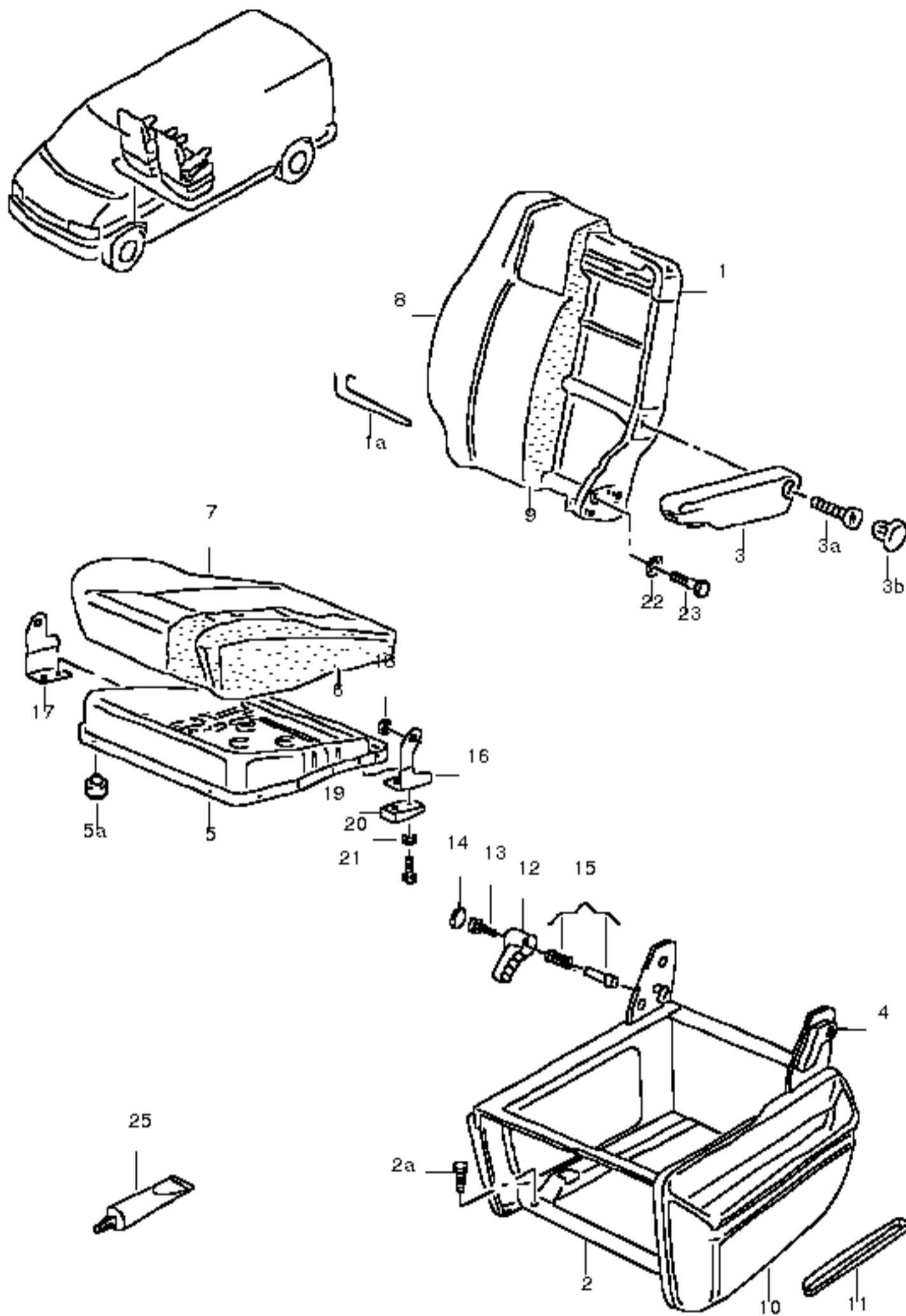
55 N 90162606
upholstery wire / 2,8X368

(55) 443885717
upholstery wire / 2X480

(55) 535885483B
upholstery wire / 2,8X520

56 N 0152611
clips / 20X1,8

58 AMV195KD101
adhesive / 3G



folding seat in passeng. comp. / MULTIVAN
for vehicles with
cool box

- 703883021R
folding seat in passeng. comp.
with: seat and backrest cover
703883021R BHM light grey / -FN

- 703883021CG
folding seat in passeng. comp. with seat and backrest cover
703883021CGBHM light grey / -FN

1 703883045B
backrest frame

1A 701881143
spring bar

2 703883061D
seat frame
703883061D 01A black

2A N 01024222
hexagonal head bolt / M8X25

3 703881081
armrest / left
703881081 BHM light grey / -FN

(3) 703881081G
armrest / left
703881081G BHM light grey / -FN

(3) 703881081B
armrest / left
703881081B CDS light grey / -DG,DE

(3) 703881081J
armrest / left
703881081J CDS light grey / -DE,DG

3 703881082
armrest / right
703881082 BHM light grey / -FN

3 703881082G
armrest / right
703881082G BHM light grey / -FN

(3) 703881082B
armrest / right
703881082B CDS light grey / -DE,DG

(3) 703881082J
armrest / right
703881082J CDS light grey / -DE,DG

3A N 90592002
cheese head bolt / M8X25ASP

3B 701881979A
plug
701881979A 9XK light grey

4 703883251
handle
703883251 U71 flannel grey

5 703883303A
seat well

5A 6N4839529
stop buffer / 18X9
seat well

6 703883375B
padding for seat

7 703883405D
seat cover (cloth)
703883405D BHM light grey / -FN

8 703883455J
backrest cover (cloth)
703883455J BHM light grey / -FN

8 703883455K
backrest cover (cloth)
703883455K CDS light grey / -DG

9 703883775C
padding for backrest

10 703883949
shelf/stowage compartment
703883949 9XK light grey

11 7D0858587A
insert for stowage box
7D0858587A U71 flannel grey

12 703883253
handle
703883253 9XK light grey

13 N 0141233
fillister hd. bolt / M4X10

14 701883623
cover cap
701883623 U71 flannel grey

15 703898900
repair kit
release lever

16 701883931
retaining bracket / left

17 701883932
retaining bracket / right

18 N 01100840
hexagonal nut / M8

19 703883890
stop buffer

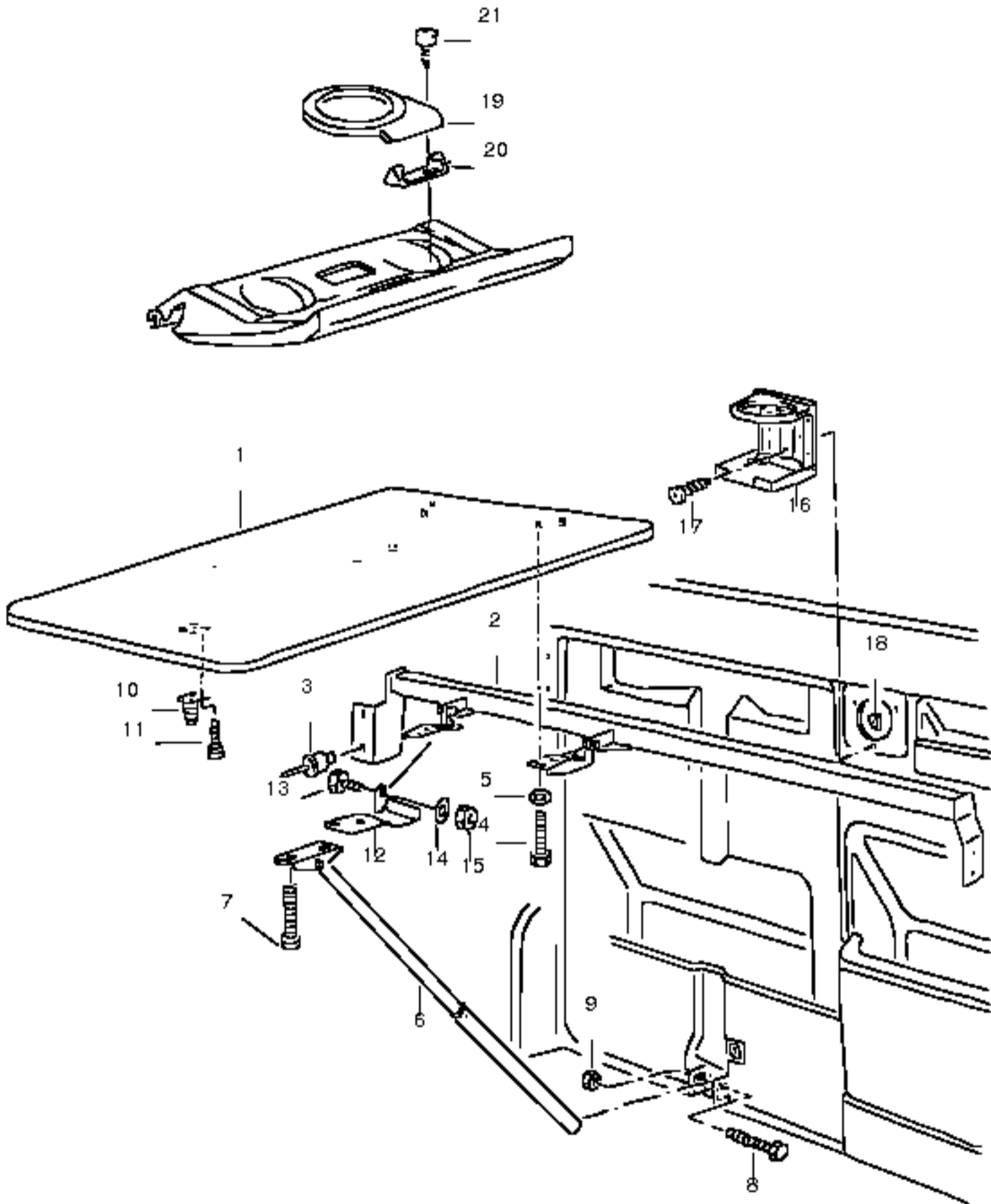
20 703862805
spacer bush
guide piece

21 N 0147973
allen key head bolt / M8X22

22 N 0120387
spring ring / 8

23 N 0103324
hexagonal head bolt / M8X32

25 AMV195KD101
adhesive / 3G



folding table / MULTIVAN

cup/drinks holder

cool box

locating ring

locking retainer

side trim panel

see illustration: / 867-15 / 2C

1 703861183A

table top

703861183A A59 light grey

2 703861185C

retainer for table top / lhd

3 N 90437401

pop-rivet / A4,8X10

4 N 01021612

hexagonal head bolt / M6X18

5 N 01152423

washer / A6,4X12,5X1,6

6 703861188A

support tube

- 703861196

retainer / lower

support tube for folding table

7 N 01414112

fillister hd. bolt / M6X18

8 N 0103054

hexagonal head bolt / M6X32

9 N 02214811

hexagon nut, self-locking / VM6

10 703861193

locking retainer

11 N 0139541

oval head panel screw / B2,9X13

12 703861198

hinge / front

703861198 2DP flannel grey

(12) 703861200

hinge / rear

703861200 2DP flannel grey

13 N 01021612

hexagonal head bolt / M6X18

14 N 0152761

washer / 6X12X1,6

15 N 02214811

hexagon nut, self-locking / VM6

16 703862533

cup/drinks holder

side panel

17 N 0139649

oval head panel screw / ST4,2X16-C

snap nut

19 701862533

cup/drinks holder / black

dash panel box lid

701862533 01C satin black

20 701862555

mounting

(20) 705862555

mounting

for models with padded dashboard

21 N 01396626

oval head panel screw / 4,2X13STC

cool box

- 703862801B

cool box / 12V/110V / MULTIVAN

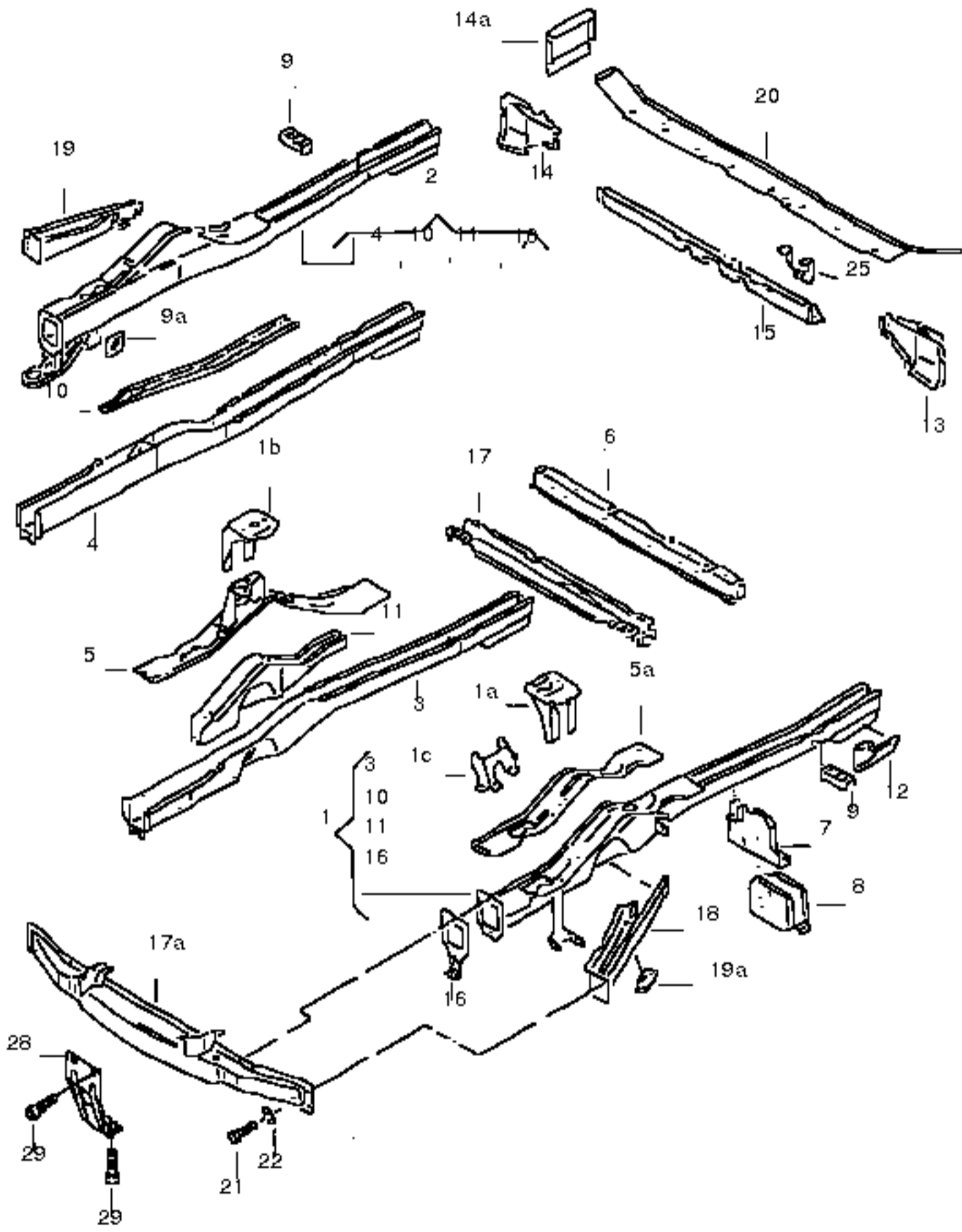
703862801B U71 flannel grey

- 147925072

plug for socket / 2 pin

- 183925069

electric socket



frame / front

longitudinal member

cross member

1 7D0803101

side member with reinforcement and welded nut / left

1A 701199583

mounting bracket for gearbox / left

also use: / N 010 568 2

- N 0105682

welded bolt 'order unit 100' / AM8X22

(1A) 701199373

mounting bracket for gearbox / left / TDI

- 701199793A

reinforcement plate / left / TDI

bearing bracket / 701 199 373

1B 701199584A

mounting bracket for gearbox / right

use if required: / 701 803 138 B

/ 701 199 588 A

- 701199588A

engine mounting bracket

(1B) 701199374A

mounting bracket / right / TDI

1C 701199587B

support plate / left

bearing bracket

2 7D0803092

side member with reinforcement and welded nut / right

3 701803107D

longitudinal member / left

4 701803108D

longitudinal member / right

5 701803138B

edge plate / right

also use: / 701 199 588 A

(5) 701803136D

edge plate / right / TDI

5A 701803137C

edge plate / left

6 701803145

cross member / center

7 -----

no longer available / left

(7) -----

no longer available / right

(8) 701802132

outrigger, a-pillar / right

F >> 70-T-029 999*

8 7D0802132

outrigger, a-pillar / right

F 70-T-030 000>>*

(8) 701803151

outrigger, a-pillar / left

9 701803155

mounting

9A 701803163

reinforcement / outer

(10) 701803167B

reinforcement for side member / left front

/ inner

10 701803168B

reinforcement for side member / right front

/ inner

11 701804205

reinforcement for side member / left inner

(11) 701804206

reinforcement for side member / right inner

12 701803215

connecting piece / left

(12) 701803216

connecting piece / right

13 701804557

outrigger, b-pillar / left

14 701803234B

outrigger, b-pillar / right

14A 701802768

mounting for cross reinforcement / right

15 701803277B

cross member / rear

16 701803601

filler plate for longitudinal member / left

(16) 701803602

filler plate for longitudinal member / right

17 701803667A

cross member / front

also use: / N 011 098 1

- N 0110981

welded nut

17A 7D0805591

cross member with mounting for headlights / front

18 701803705B

outrigger / left

19 701803706B

outrigger / right

19A 211809507

plug

20 701803933G

cross member / rear, upper

(20) 701803933E

cross member / rear, upper

F 70-T-060 001>>*

21 N 01023911

hexagonal head bolt / M8X18

22 N 01152520

washer / A8,4X16X1,6

25 701803939D

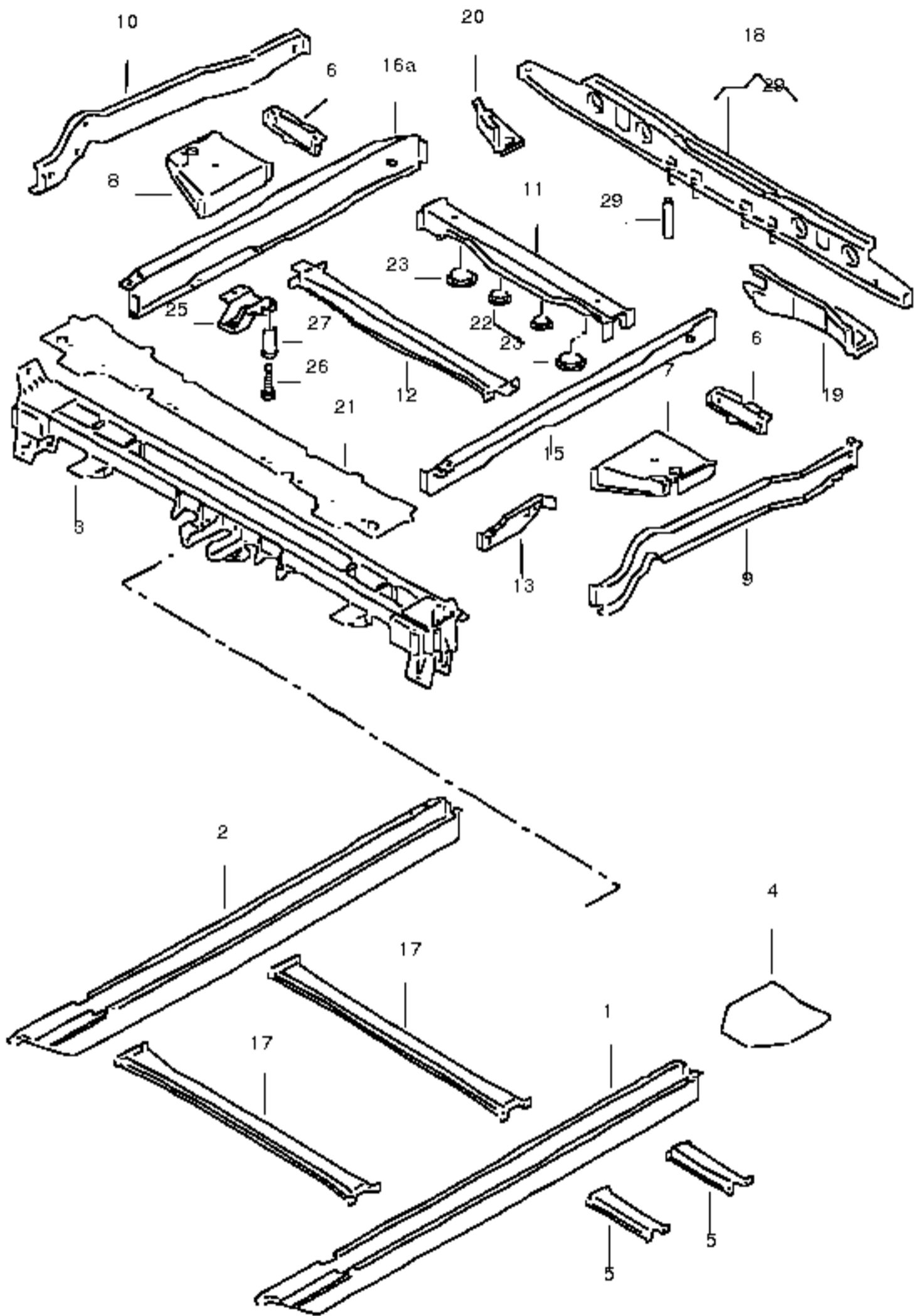
support / left

torsion spring rod

(25) 701803940A

support / right

torsion spring rod



frame / rear / delivery van
 longitudinal member / kombi van
 cross member / bus

1 701803115
 longitudinal member / left rear
 for models with wheelbase: / 2920MM

(1) 721803115
 longitudinal member / left rear
 for models with wheelbase: / 3320MM

2 701803116A
 longitudinal member / right rear
 for models with wheelbase: / 2920MM

(2) 721803116A
 longitudinal member / right rear
 wheelbase: / 3320MM

3 701803181E
 cross member / center
 F >> 70-T-060 000*

(3) 701803181F
 cross member / center
 F 70-T-060 001>>*

4 7D1803185A
 gusset plate / left lower

(4) 7D1803186A
 gusset plate / right lower

5 701803273
 cross member / centre outer

(5) 721804575
 outrigger / left
 wheelbase: / 3320MM

(5) 721804576
 outrigger / right
 wheelbase: / 3320MM
 F >> 70-T-060 000*

(5) 721804576A
 outrigger / right
 wheelbase: / 3320MM
 F 70-T-060 001>>*

6 701803287
 connecting piece
 spring support

- 701253321C
 bracket for exhaust silencer

7 701803455B
 spring disc / left

8 701803456B
 spring disc / right

9 7D0804465
 spring support / left outer

10 7D0804466
 spring support / right outer

11 7D1803533B
 cross member / rear

12 701803537A
 cross member with bracket for spare wheel

- 701803543A
 bearing bracket
 spare wheel mounting

13 7D0803545
 mounting for shock absorber / left

(13) 7D0803546
 mounting for shock absorber / right

15 701803553B
 spring support / left inner

16A 701803554
 spring support / right inner

17 701803617
 cross member / front
 wheelbase: / 2920MM
 wheelbase: / 3320MM

(18) 7D1803701
 end cross member / rear

(19) 7D1803709
 outrigger / left

20 7D1803712
 outrigger / right

21 701804775A
 sealing plate for cross member / center

22 803803583A
 plug / 19

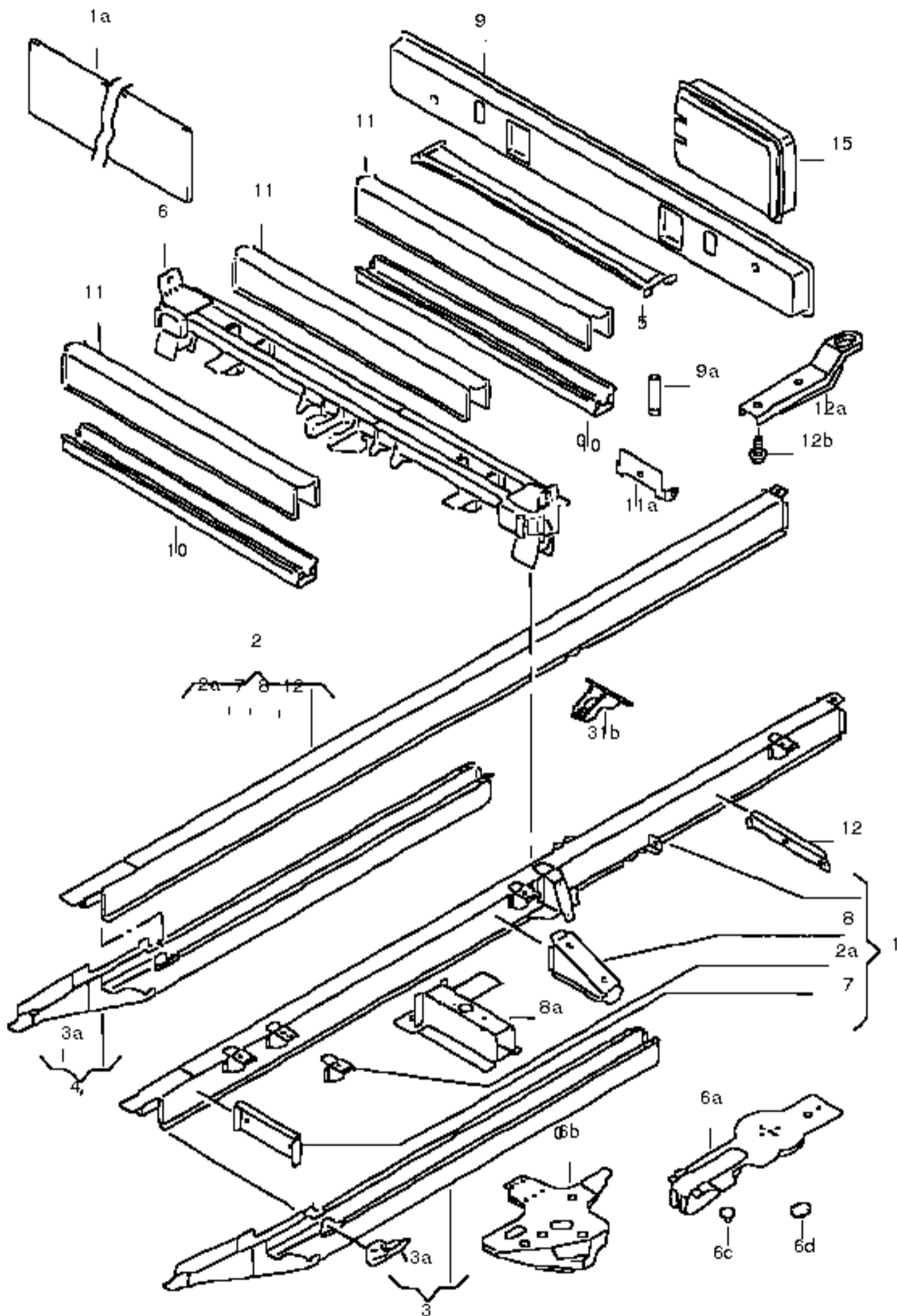
23 N 10034401
 plug / 30X5,6X37

25 701804933D
 anti-roll bar bearing bracket / rear

26 N 0102186
 hexagonal head bolt / M6X25

27 N 10295201
 rivetted cap nut / AM6/5-8

29 701804719A
 threaded bush / 72,5MM
 for: spare wheel mounting



frame / rear / pick-up
longitudinal member / double cab
cross member

(1) 707803101A
side member upper part / left
wheelbase: / 2920MM

(1) 727803101A
side member upper part / left
for models with wheelbase: / 3320MM

- 707253321C
console
bracket - rear exhaust muffler

(2) 707803102A
side member upper part / right
wheelbase: / 2920MM

(2) 727803102A
side member upper part / right
for models with wheelbase: / 3320MM

2A 707801456
console
for: cross member

3 707803115
longitudinal member / left rear
for models with wheelbase: / 2920MM

(3) 727803115
longitudinal member / left rear
for models with wheelbase: / 3320MM

3A 701803215
connecting piece / left

(3A) 701803216
connecting piece / right

4 7D5803116A
longitudinal member / right rear
for models with wheelbase: / 2920MM

(4) 7D7803116B
longitudinal member / right rear
for models with wheelbase: / 3320MM

5 707803131
cross member with bracket for spare wheel / rear

6 707803181E
cross member / center

(6A) 707802731A
spring support / left upper

(6A) 707802732A
spring support / right upper

6B 707803469A
gusset plate / left lower

(6B) 707803470A
gusset plate / right lower

(6) 729804711
cross member / double cab
without bench seat

- N 0200241
plug / A10X1

- 171971910
plug / 22X15/14X7

7 707804233
cross member / left outer

(7) 707804234
cross member / right outer

(7) 729804927
cross member / outer / double cab

8 707804635
sealing plate for cross member / outer

- 729804925
outrigger, c-pillar / double cab

9 707803701
end cross member / rear

- 701804719A
threaded bush / 72,5MM / delivery van
for: / kombi van
spare wheel mounting / bus
shorten to: / 60MM

10 707804737A
cross member

11 707804775A
cross member upper part
use if required: / 701 803 543A

- 701803543A
bearing bracket
spare wheel mounting

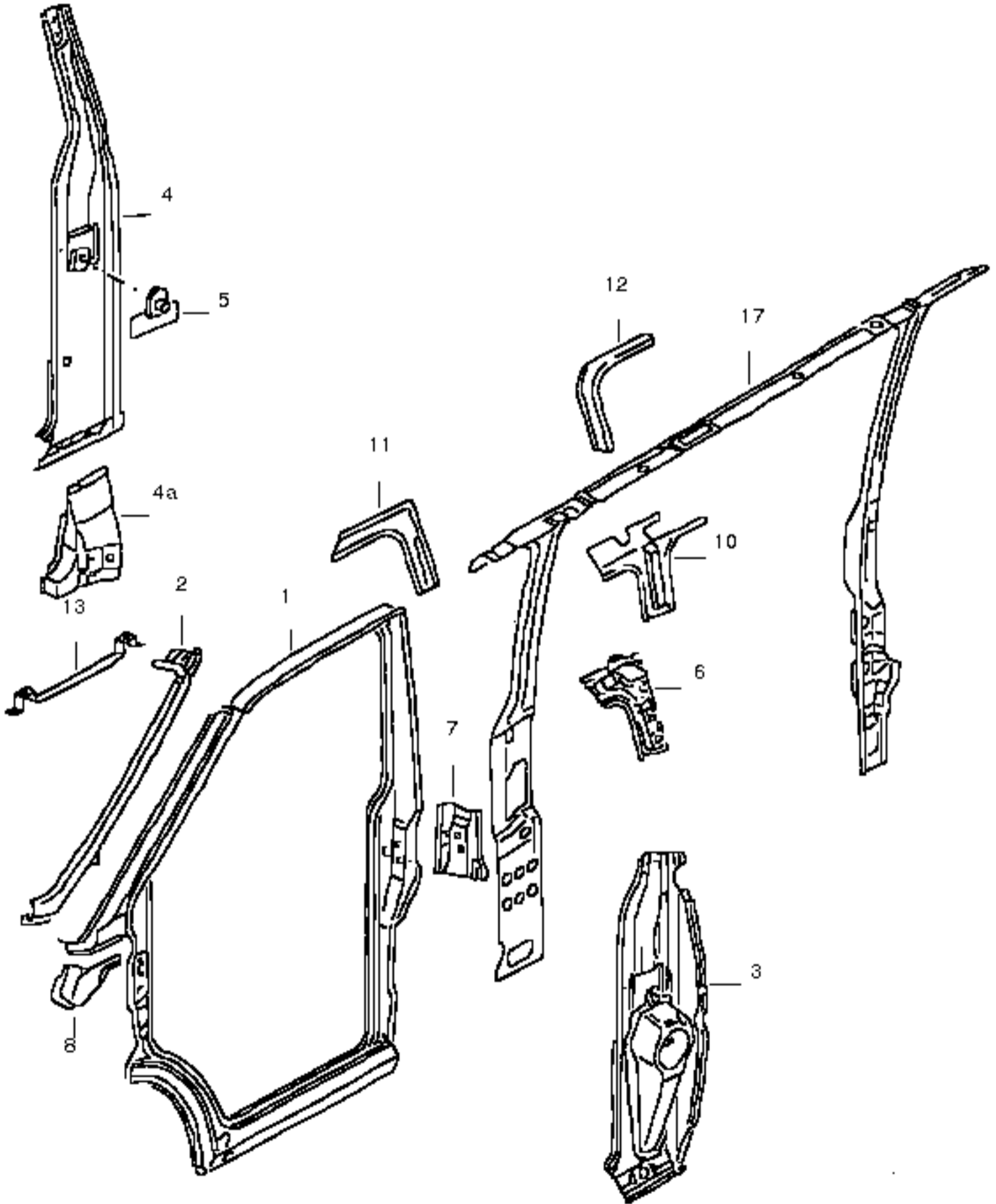
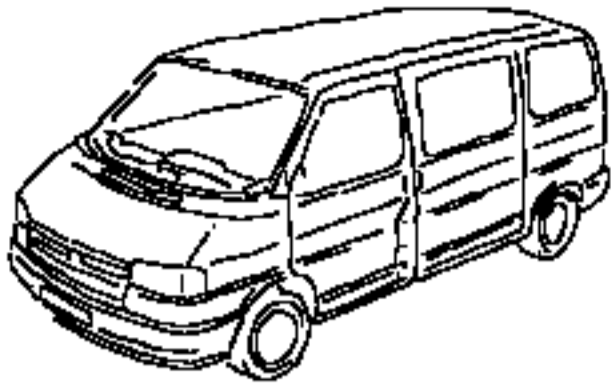
- 701804933D
anti-roll bar bearing bracket / rear

12 707821495
bracket - fender / rear

- 707807370
towing eye / right rear

- N 90708502
self-locking bolt / M12X1,5X35

- 729898035
repair kit for rear panel-side member / double cab



frame for drivers cab

a-pillar, inner

b-pillar, inner

(1) 7D0810101A

frame / left

(1) 7D0810102A

frame / right

2 701809205

a-pillar, inner / left

(2) 701809206

a-pillar, inner / right

3 7D1809251F

b-pillar, inner / left

4 7D1809251G

b-pillar, inner / left

for vehicles with sliding door cut-out

(3) 701809258

b-pillar, inner / right

F >> 70-T-060 000*

(3) 7D1809252D

b-pillar, inner / right

F 70-T-060 001>>*

(4) 7D1809252E

b-pillar, inner / right

for vehicles with sliding door cut-out

5 7D0809486

reinforcement plate for seat belt mounting

b-pillar, inner / lower

6 701809445A

reinforcement for pillar b / left upper

for vehicles with sliding door cut-out

(6) 701809445B

reinforcement for pillar b / left upper

(6) 701810042

reinforcement / right upper

for vehicles with sliding door cut-out

(6) 701809446B

reinforcement for pillar b / right upper

7 701809611

reinforcement for pillar b / left, center

(7) 701809612C

reinforcement for pillar b / right, center

8 701805187

air guide plate / left

(8) 701805187A

air guide plate / left / TDI

(8) 701805188

air guide plate / right

(8) 701805188A

air guide plate / right / TDI

10 701810721

reinforcement for pillar b / left upper

sliding door side / inner

(10) 701810722

reinforcement for pillar b / right upper

sliding door side / inner

11 701810923

reinforcement for pillar b / left upper

repair plate / front

sliding door side

(11) 701810924

reinforcement for pillar b / right upper

repair plate / front

sliding door side

12 701810925

reinforcement for pillar b / left upper

repair plate / rear

sliding door side

(12) 701810926

reinforcement for pillar b / right upper

repair plate / rear

sliding door side

fresh air and heater controls

1 321819045C
fresh air and heater controls

2 191820045
fresh air and heater controls / air condit.
switch for fresh or recircula- ted air selection
see illustration: / 941-85 POS.(6)

3 701819079
retainer

4 701820079
retainer / air condit.

5 701819129
knob
701819129 01C satin black

(5) 535819129
knob / air condit.
535819129 01C satin black

6 823819679
clips

7 701819833
cable - / 890MM
foot well flap / lhd

(7) 701819835
cable - / 490MM
foot well flap / rhd

8 701819835
cable - / 490MM
defroster flap / lhd

8 701819833
cable - / 890MM
defroster flap / rhd

9 701819837A
cable for heater valve / 700MM
/ lhd

(9) 191819837
cable for temp. control flap / air condit.
/ blue
/ lhd

(9) 702819837
cable for heater valve / rhd

(9) 192819837
cable for temp. control flap / rhd / air condit.

10 701919383
trim for fresh air and heater controls
701919383 01C satin black

11 535919383C
trim for fresh air and heater controls / air condit.
535919383C 01C satin black

(13) 171959511
switch for blower motor
for vehicles with 2nd heat exchanger

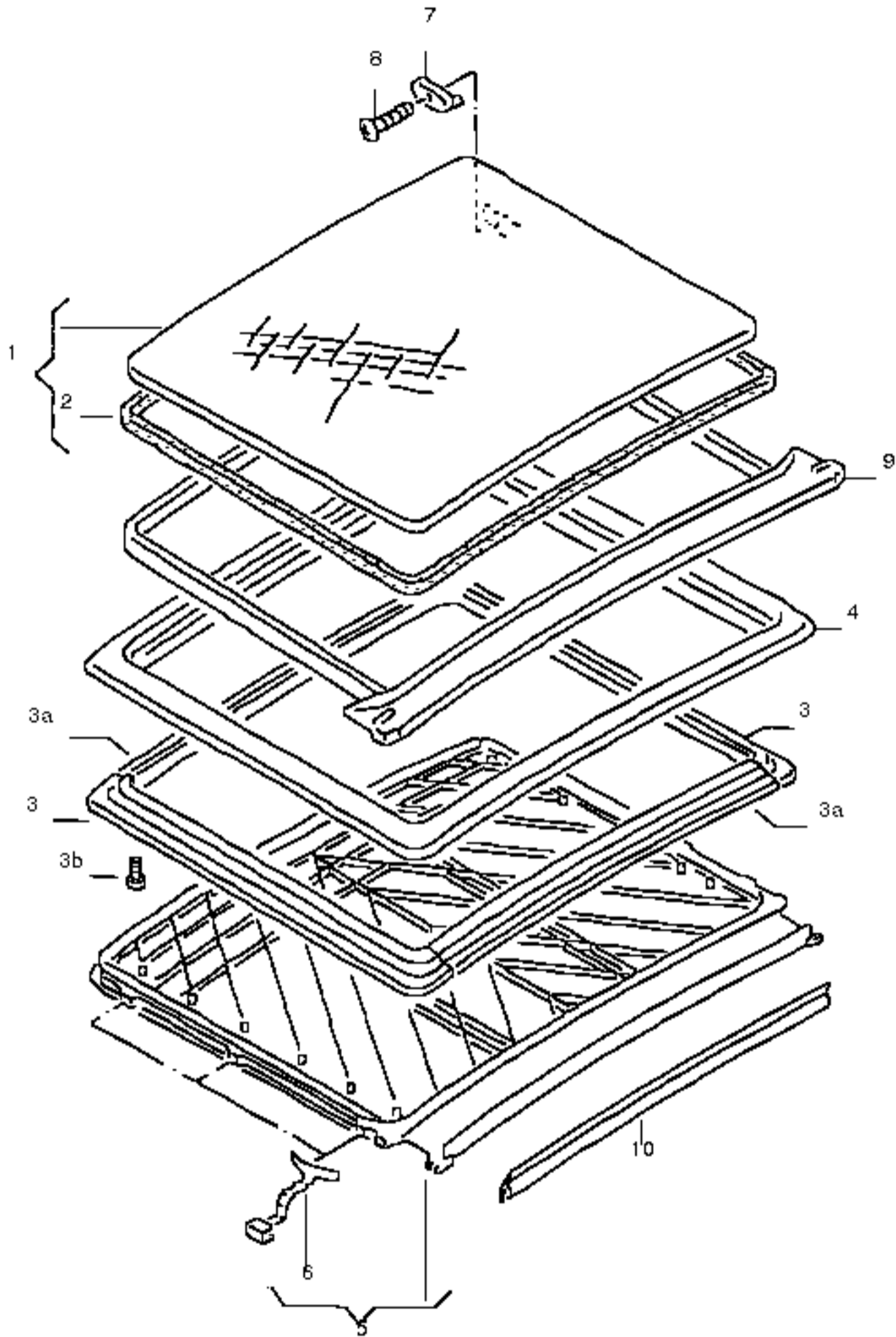
13 321959511
switch for blower motor

(13) 321959511A
switch for blower motor / air condit.

14 535959513
knob for switch

(14) 535959513A
knob for switch / air condit.

16 N 90446801
panel screw / 4X15
see illustration: / 963-10



glass sliding roof

1 7D1877051
glass sliding roof panel / green

2 703877209
gasket / 3345MM

3 703877195A
clamping profile / left a. right

3A 703877196A
clamping profile / front and rear

3B N 0141233
fillister hd. bolt / M4X10

4 703877213A
frame for sliding roof opening

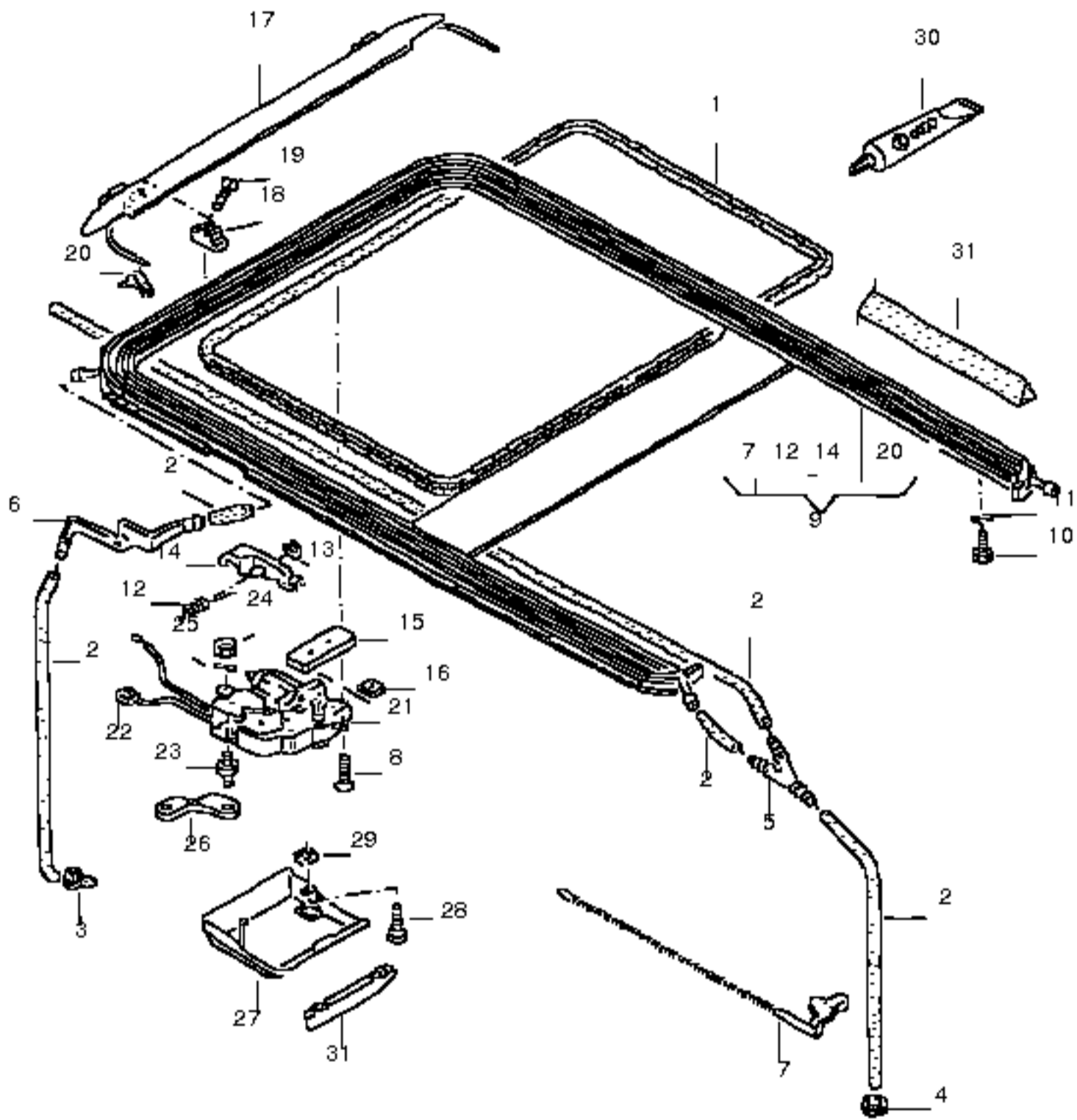
5 703877255
sun blind - roof panel
703877255 4YX grey
703877255 5YX beige

6 357877259
guide

7 703877369
clamping piece

8 N 0142154
countersunk bolt / AM5X8

9 7D1877611
frame
7D1877611 01C satin black



glass sliding roof parts

(1) 703877227A

beading for roof frame / 3110MM

703877227A S07 sahara

703877227A 6YW grey

2 333877233A

water drain hose / 2410MM

3 N 90430401

locking cover / 30

4 411941189

grommet / 20/4

5 481955975

y-piece

for vehicles with glass tilting roof panel

6 703877237

adapter / left

(6) 703877238

adapter / right

(7) 703877317

driver / left

(7) 703877318

driver / right

- 7H0898014

guide with cable / left a. right

for models with glass sliding sunroof

comprising:

8 N 10045703

countersunk bolt / M5X25

9 7D1877431

frame with operating mechanism

10 N 90529301

hexagonal head bolt / M6X10

11 N 0122265

spring washer / B6X12X0,5

(12) 703877383

spring / left

(12) 703877384

spring / right

13 N 0124321

lock washer / 2,3

(14) 357877385

locking segment / left

(14) 357877386

locking segment / right

15 357877442A

covering

16 357877439

spring plate

17 703877651

wind deflector

- 1H0877647

glide piece

wind deflector

18 357877657

bearing

19 N 0142571

oval head countersunk bolt / AM4X8

20 357877658A

clip

21 701959731

sliding roof motor

22 161971975

flat connector housing / 3 pin

23 703877799

bonded rubber mounting

24 N 01100624

hexagonal nut / M6

25 311837943

concave spring washer / 6,4X18

26 703817443

retaining panel

(27) 7D0877829

cover for electric drive

7D0877829 8YS light beige

27 703877847A

cover for electric drive

703877847A 4YX grey

28 N 90241203

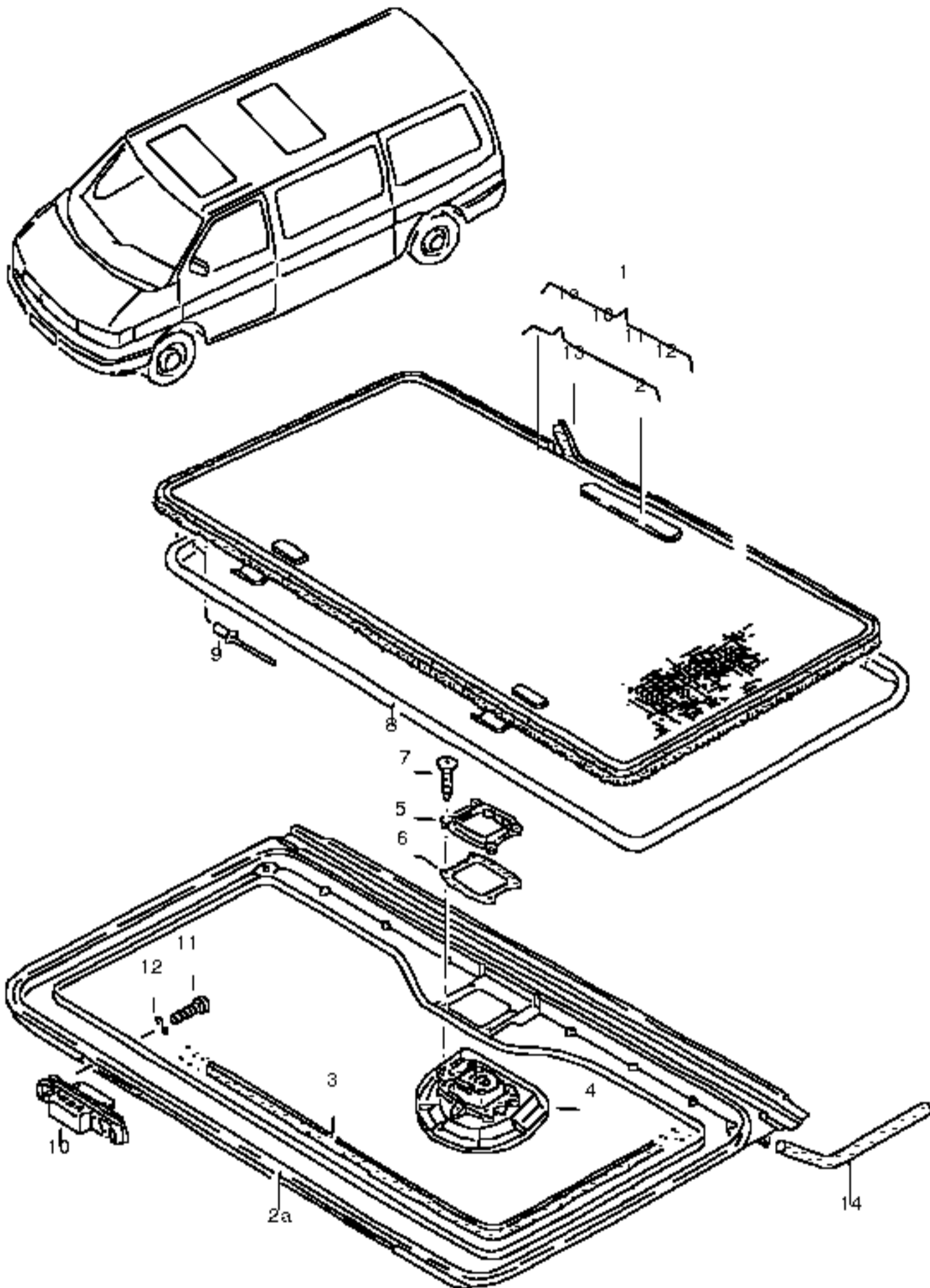
fillister hd. bolt / M4X20

29 N 90282501

snap nut / 3,1X13X11,5

- G 00045002

grease / 90G



glass tilting roof panel
(unsuited for serv installat.)

1A 251877071
glass tilting roof panel / clear glass

2 701877303
hinged fastener

2A 701817401
frame

3 701877223
gasket

4 701877453
rotary knob
701877453 4YX grey
701877453 5YX beige

5-6 701877464
ring

7 N 0140986
oval hd. csk. self-tapp. screw / B4,8X16

8 251877531
rubber strip

9 N 90437601
pop-rivet / A3,2X8

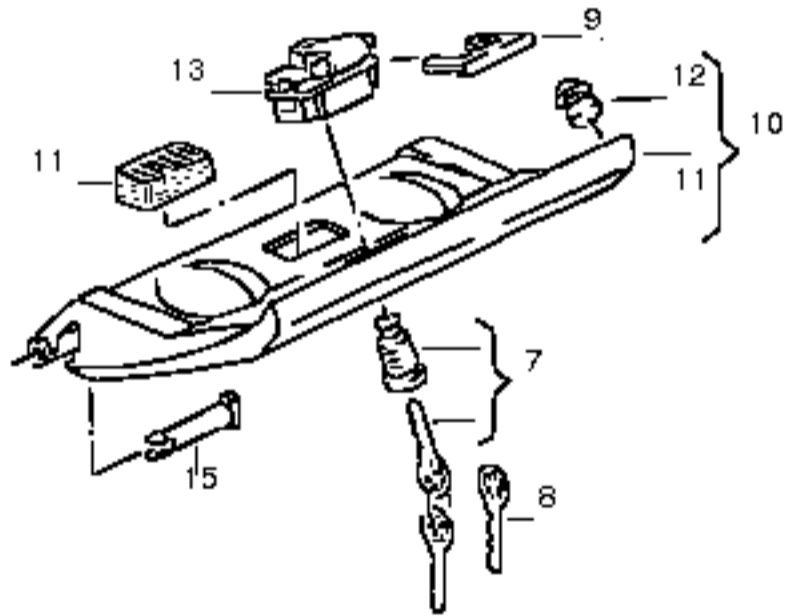
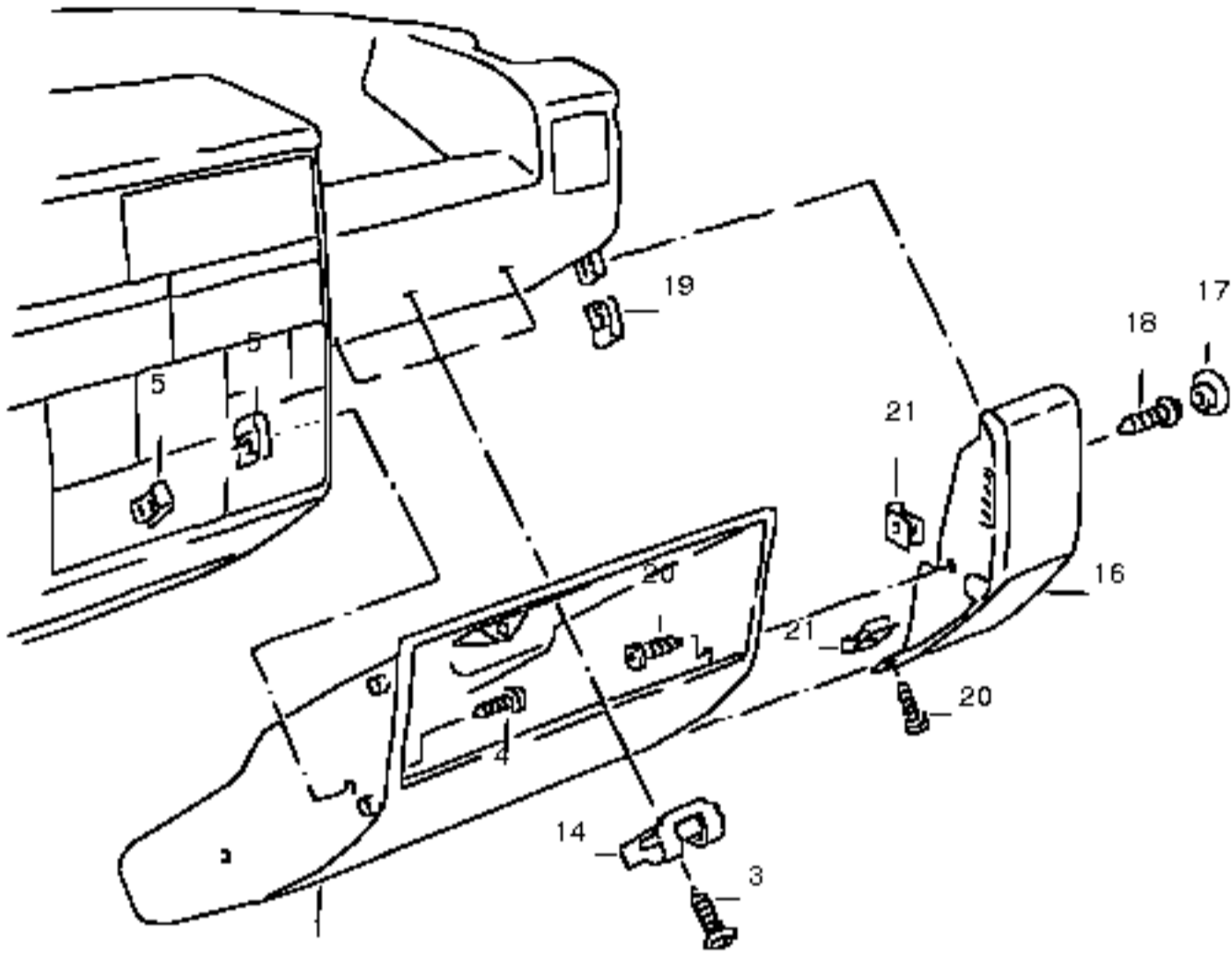
10 251877549
mounting

11 N 0141313
fillister hd. bolt / AM5X15

12 N 0122228
spring washer

13 701877569
gasket

14 333877233A
water drain hose / 2410MM



glove box

1 701857095

glove box

701857095 7XM medium grey

701857095 8XR sahara

701857095 F09 neptune blue

3 N 90486501

fillister hd. bolt / M4X30

4 N 90241203

fillister hd. bolt / M4X20

(4) N 90448401

fillister hd. bolt / M4X15

5 N 90650101

snap nut / 3,1X16,5X11

7 443857113A

lock cylinder for glove box lid

see illustration: / 837-00

9 191857119

clips

191857119 01C satin black

10 701857123A

dash panel box lid

701857123A 3XA neptune blue

701857123A 4XG medium grey

701857123A 6XT sahara

cup/drinks holder

see illustration: / 861-00

11 867857944

coin holder

12 N 0200321

plug / A6X0,8

13 701857131

catch

701857131 01C satin black

14 191857133

sealing bearing

191857133 01C satin black

15 701857169

pin - hinge

(16) 702857137A

covering / rhd

702857137A 3XA neptune blue

702857137A 4XG medium grey

702857137A 6XT sahara

16 701857138A

covering / lhd

701857138A 3XA neptune blue

701857138A 4XG medium grey

701857138A 6XT sahara

(17) 357857958A

cover cap

357857958A F09 neptune blue

357857958A 7XM medium grey

357857958A 8XR sahara

18 N 90404701

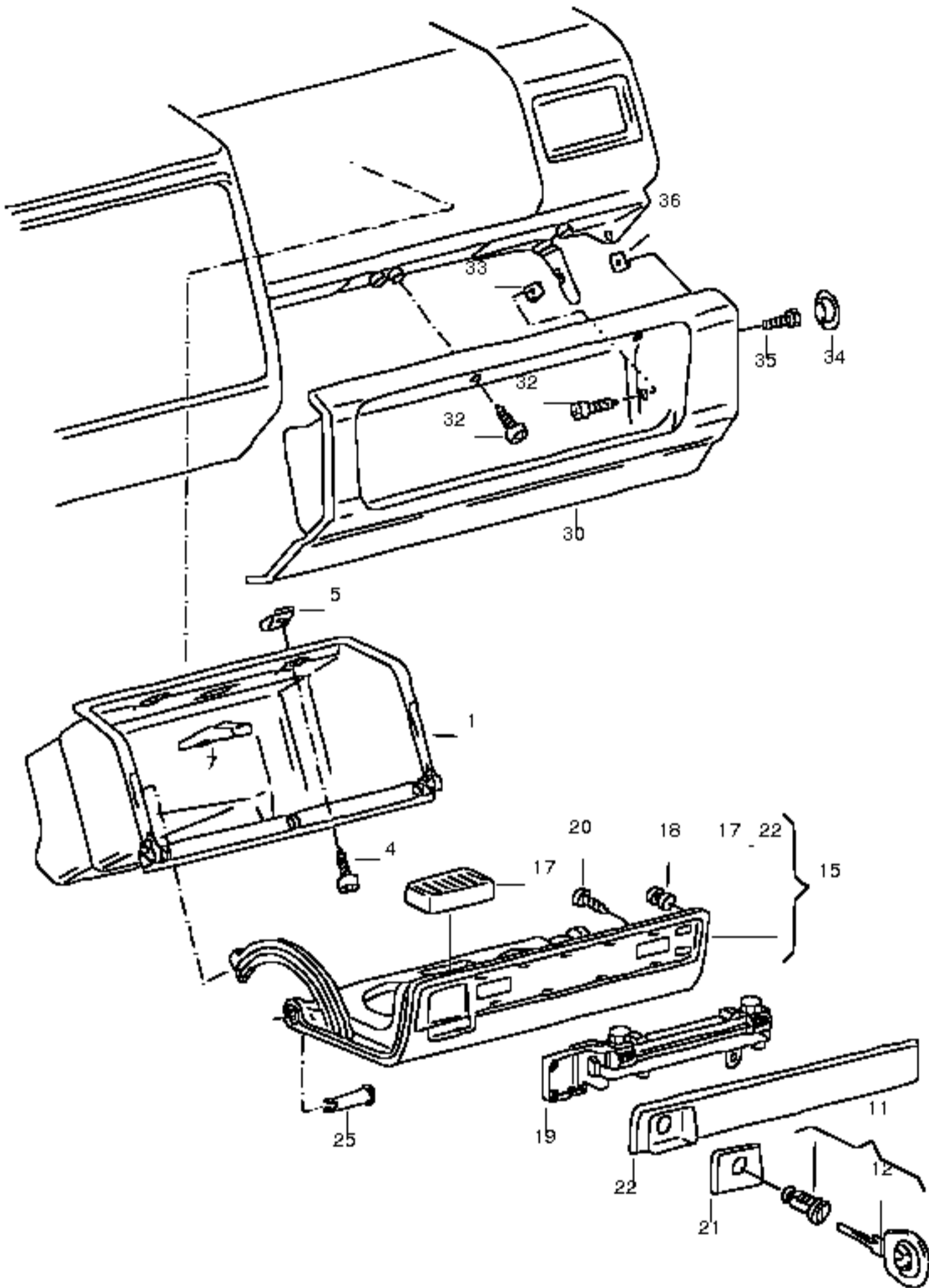
hexagon head bolt (combi) / M5X22

20 N 90241203

fillister hd. bolt / M4X20

21 N 90650101

snap nut / 3,1X16,5X11



glove box / lhd
for padded dashboard
shelf/stowage compartment

1 705857102
glove box
705857102 B41 satin black

4 N 90241203
fillister hd. bolt / M4X20

5 N 90282501
snap nut / 3,1X13X11,5

7 1H0857133
sealing bearing
1H0857133 01C satin black

11 1H0857113
lock cylinder
see illustration: / 837-00

15 705857120
dash panel box lid
705857120 E44 medium grey
705857120 G74 neptune blue
705857120 T34 sahara

17 867857944
coin holder

18 N 0200321
plug / A6X0,8

19 357857131
catch

20 N 90130801
fillister hd. bolt / E4,2X16

21 705857149
operating mechanism
dash panel box lid
705857149 041 black

22 705857152
trim
dash panel box lid
705857152 041 black

25 191857169
pin - hinge

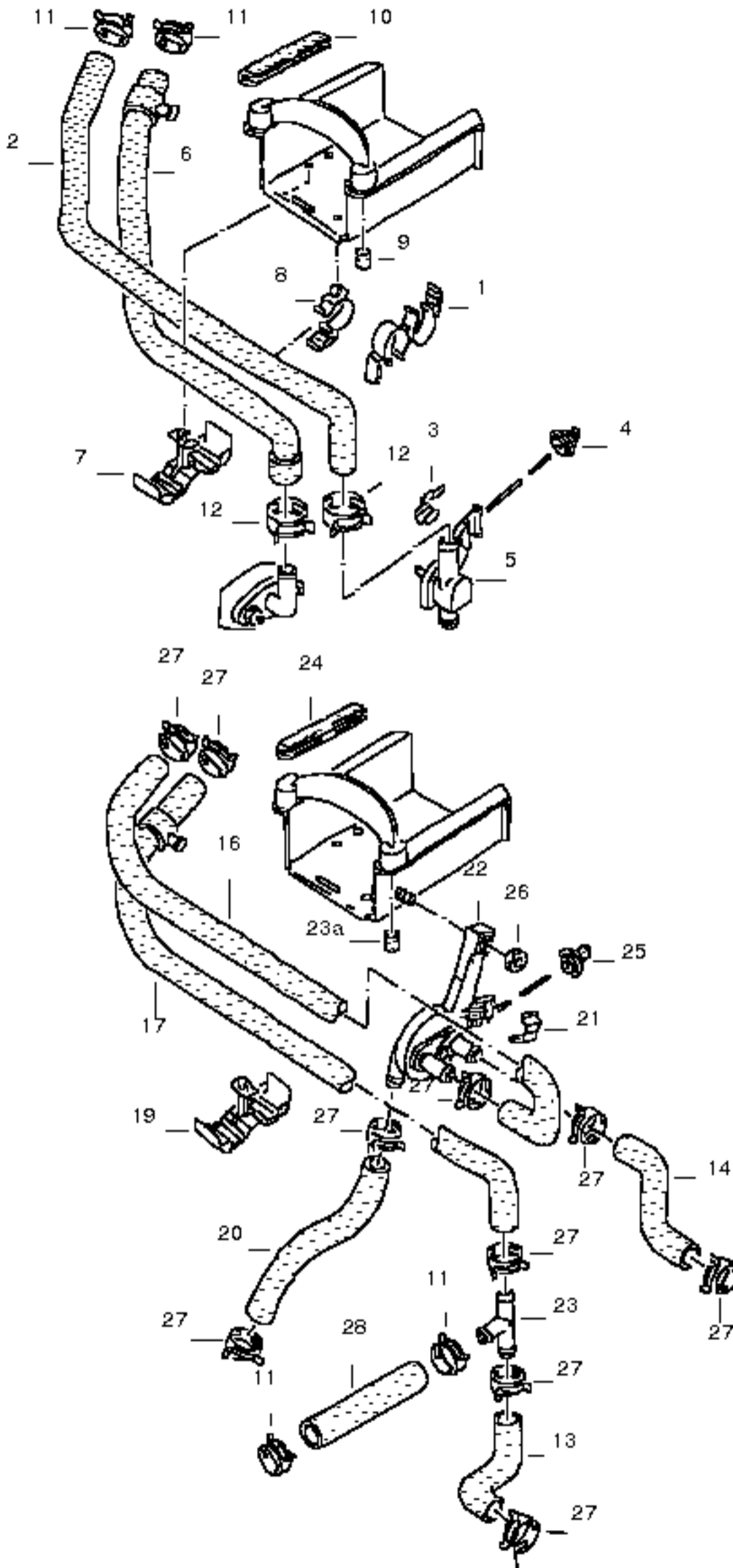
30 705857924
tray
705857924 3XA neptune blue
705857924 4XG medium grey
705857924 6XT sahara

32 N 90486501
fillister hd. bolt / M4X30

33 N 90282501
snap nut / 3,1X13X11,5

34 357857958A
cover cap
357857958A F09 neptune blue
357857958A 7XM medium grey
357857958A 8XR sahara

35 N 90404701
hexagon head bolt (combi) / M5X22



heater / 1X,AAC,ABL,
water hoses / ACU,AAB,ACV, / "CN ", "GUS": / AEN

1 701819179
retainer

2 701819373A
water hose / return / AAB,AAC,ABL,
(heater valve > heat exchanger) / lhd / ACU,AEN,1X

(2) 701819373L
water hose / return / ACV
(heater valve > heat exchanger) / lhd

(2) 702819373E
water hose / return
(heater valve > heat exchanger) / rhd

3 823819679
clips

4 311949149B
grommet / 13/5

(5) 701819809C
heater valve / AAB,AAC,ABL, / ACU,AEN,1X

(5) 701819809H
heater valve / ACV

- 701819876A
angled piece / ACV
for models with supplementary heater
/ D3W

(6) 074121073L
water hose / feed / AAB,AAC,ABL,
(flange > heat exchanger) / lhd / ACU,AEN,1X

(6) 074121073AC
water hose / feed / ACV
(flange > heat exchanger) / lhd

(6) 701819378C
water hose / feed / ACV
angled piece / lhd
heat exchanger
for models with supplementary heater
/ D3W

(6) 702819378
water hose / feed / AAC,1X
(flange > heat exchanger) / rhd

(6) 702815241
water hose / feed / ABL
(flange > heat exchanger) / rhd

(6) 702819378A
water hose / feed / AAB,ACU,AEN
(flange > heat exchanger) / rhd

(6) 707819378
water hose / feed / pick-up
for vehicles with
additional heater

7 701819379A
retainer

8 701819379
bracket for hose

9 701819394
protective cap

10 701947149A
beading / 100MM

11 N 0164031
spring-type clip / 27

12 N 0164041
spring-type clip / 32

- 701819433F
distributor / pick-up / 4 cylinder:
for vehicles with / AAC,ABL,1X
additional water pump
additional heater

- 707819433D
distributor / pick-up / 5 cylinder:
for vehicles with / ACU,AAB,AEN
additional heater

- 701819433H
distributor / pick-up / 5 cylinder:
for vehicles with / ACU,AAB,AEN
additional water pump

heater
water hoses
for vehicles with 2nd heat exchanger

13 701819371A
water hose / feed
(heater valve > heat exchanger)

14 701819372H
water hose / return / AAB,AAC,ABL,
(heater valve > heat exchanger) / ACU,AEN,1X

(14) 701819372D
water hose / return / ACV
(heater valve > heat exchanger)

(16) 702819373B
water hose / return / AAB,AAC,ACU,
(flange > heater valve) / rhd / AEN,1X

16 701819373F
water hose / return / AAB,AAC,ABL,
(flange > heater valve) / lhd / ACU,AEN,1X

(16) 701819372E
water hose / return / ACV
(heater valve > heat exchanger) / lhd

17 701819378C
water hose / feed / AAB,AAC,ABL,
/ lhd / ACU,AEN,1X

(17) 702819378C
water hose / feed / 4 cylinder:
/ rhd / AAC,1X,
/ 5 cylinder: / AAB,ACU,AEN

19 701819379A
retainer

20 701819437D
water hose / return / AAC,ABL,1X
(heater valve > water pipe)

(20) 701819437E
water hose / return / ACU,AAB,AEN
(heater valve > water pipe)

(20) 701819437J
water hose / return / automatic
(heater valve > water pipe)

21 823819679
clips

(22) 701819809H
heater valve

23 701819876
t-piece

23A 701819394
protective cap

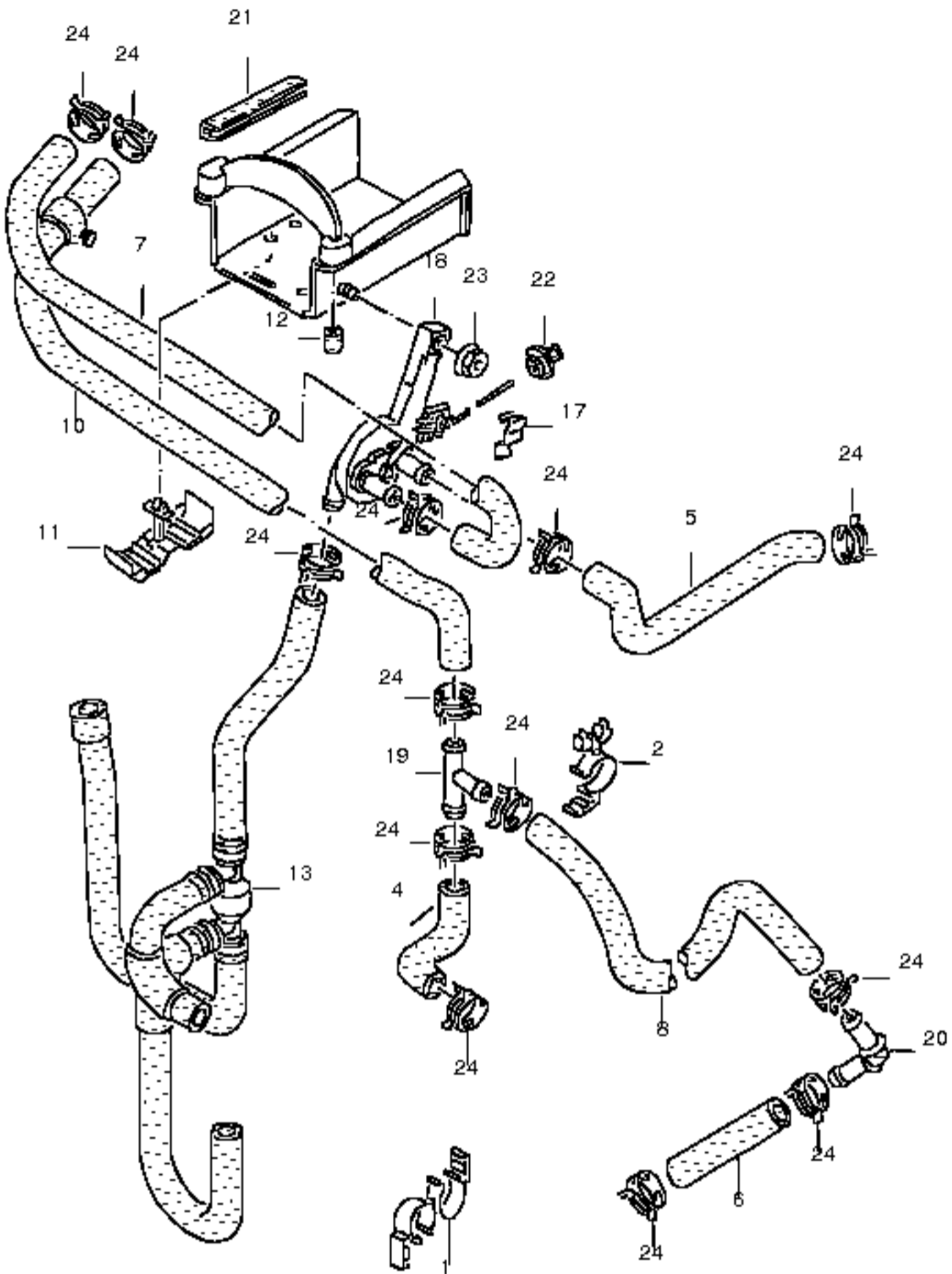
24 701947149A
beading / 100MM

25 311949149B
grommet / 13/5

26 N 90175203
hexagon nut, shouldered / M6

27 N 0164031
spring-type clip / 27

(28) 074121073AD
water hose / ACV



heater / 4 cylinder:

water hoses / AAC,ABL,1X

additional heater / 5 cylinder:

for vehicles with 2nd heat exchanger / AAB,ACU,ACV; / "CN.,"GUS": / AEN

1 701819179

retainer

(2) 701819179

retainer

4 701819371A

water hose / feed / AAC,ABL,AAB,
(heat exchanger > water pipe) / ACU,AEN,1X

4 701819371A

water hose / feed / ACV
t-piece
heat exchanger

5 701819372H

water hose / return / AAC,ABL,AAB,
(heater valve > heat exchanger) / ACU,AEN,1X

(5) 701819372D

water hose / return / ACV
(heater valve > heat exchanger)

6 701819373D

water hose / return / AAC,ABL,AAB,
/ ACU,AEN,1X

7 701819373F

water hose / return / AAB,AAC,ACU,
(flange > heater valve) / lhd / AEN,1X

(7) 701819372E

water hose / return / ACV
(heater valve > heat exchanger)

(7) 702819373B

water hose / return / AAB,AAC,ACU,
(flange > heater valve) / rhd / AEN,1X

8 701819373J

water hose / return / AAC,ABL,AAB,
/ ACU,AEN,1X

10 701819378C

water hose / feed
/ lhd

(10) 707819378

water hose / feed / pick-up

(10) 702819378C

water hose / feed / 4 cylinder:
/ rhd / AAC,1X
/ 5 cylinder: / AAB,ACU,AEN,

11 701819379A

retainer / AAC,ABL,AAB,
/ ACU,AEN,1X

12 701819394

protective cap

(13) 701819433G

distributor / 4 cylinder:
for vehicles with / AAC,ABL,1X
additional water pump

(13) 701819433Q

distributor / 5 cylinder:
for vehicles with / ACU,AAB,AEN
additional water pump

17 823819679

clips

(18) 701819809H

heater valve

19 701819876

t-piece

20 701819876A

angled piece / return

21 701947149A

beading / 100MM

22 311949149B

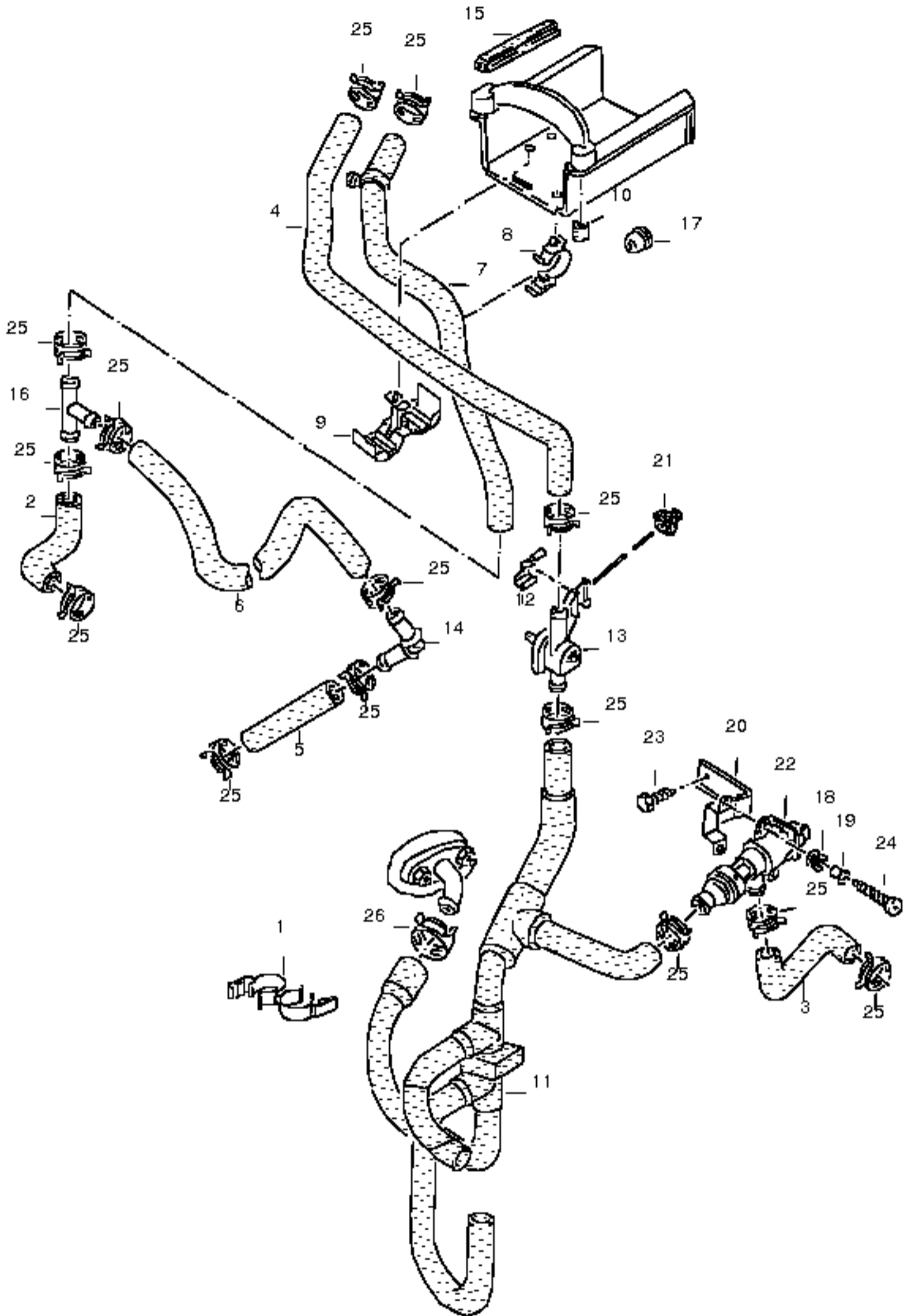
grommet / 13/5

23 N 90175203

hexagon nut, shouldered / M6

24 N 0164031

spring-type clip / 27



heater / ambulance

water hoses

additional heater

for vehicles with 2nd heat exchanger

1 701819179

retainer

2 701819371A

water hose / feed

(heat exchanger > water pipe)

3 701819372C

water hose / return

(heater valve > heat exchanger)

4 701819373L

water hose / return

(heater valve > heat exchanger) / lhd

(4) 702819373E

water hose / return

(heater valve > heat exchanger) / rhd

5 701819373D

water hose / return

(6) 701819373J

water hose / return

7 701819378C

water hose / feed

/ lhd

(7) 702819378C

water hose / feed / 4 cylinder:

/ rhd / AAC,1X

/ 5 cylinder: / AAB,ACU,AEN

8 701819379

bracket for hose

10 701819394

protective cap

(11) 703819433D

distributor / 5 cylinder:

for vehicles with / ACU,AAB,AEN

additional water pump

(11) 703819433C

distributor / 4 cylinder:

for vehicles with / AAC,ABL,1X

additional water pump

12 701819679

clips

(13) 701819809C

heater valve

14 701819876A

angled piece / return

15 701947149A

beading / 100MM

16 701819876

t-piece

17 701820992

plug

18 701820997

grommet

19 701820998

sleeve

20 701820999A

retainer

21 311949149B

grommet / 13/5

22 701963375

valve

23 N 0138905

hexagon head panel screw / ST6,3X13-C

24 N 0139671

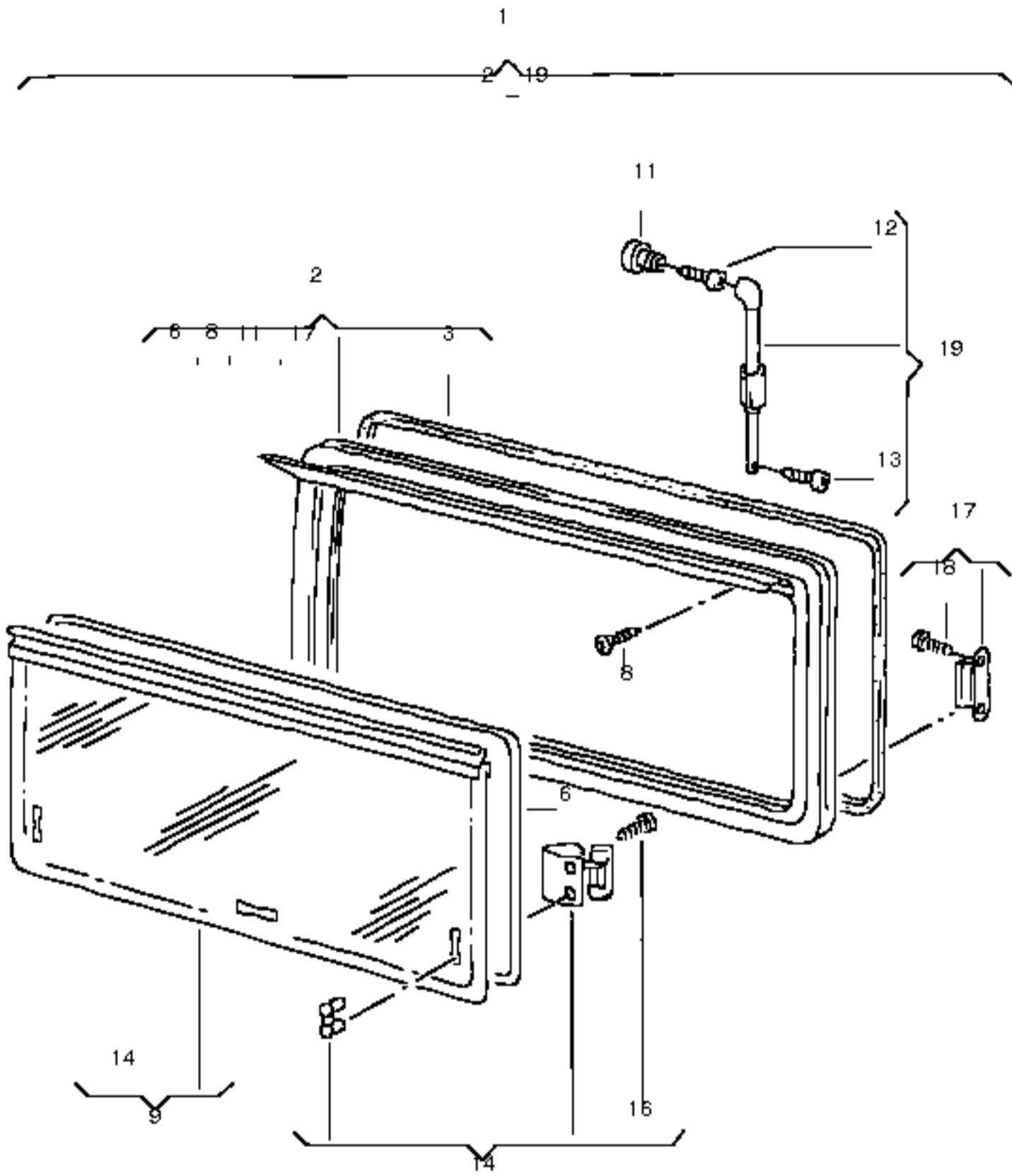
oval head panel screw / B4,2X19-C

25 N 0164031

spring-type clip / 27

26 N 0164041

spring-type clip / 32



hinged window

(1) 703847099G

hinged window (insul. glass) / left front
for passenger compartement / green
/ ACRYL
also use: / DH 009 100

(1) 7D1847099

hinged window / left front
for passenger compartement / ACRYL
for vehicles with laminated insulated glass / green/black
also use: / DH 009 100

2 703847153

window frame

3 703847759B

rubber seal

6 703847179

gasket
window frame

8 N 0139881

countersunk panel screw / ST3,5X16-C

9 703847165C

washer / green
/ ACRYL

(9) 7D1847165

washer / ACRYL
for vehicles with laminated insulated glass / green/black

11 703847170A

mounting

12 N 0139502

oval head panel screw / B3,5X19

13 N 0139502

oval head panel screw / B3,5X19

14 703847159A

locking retainer

16 N 90157501

panel screw / B4,2X25

17 703847169A

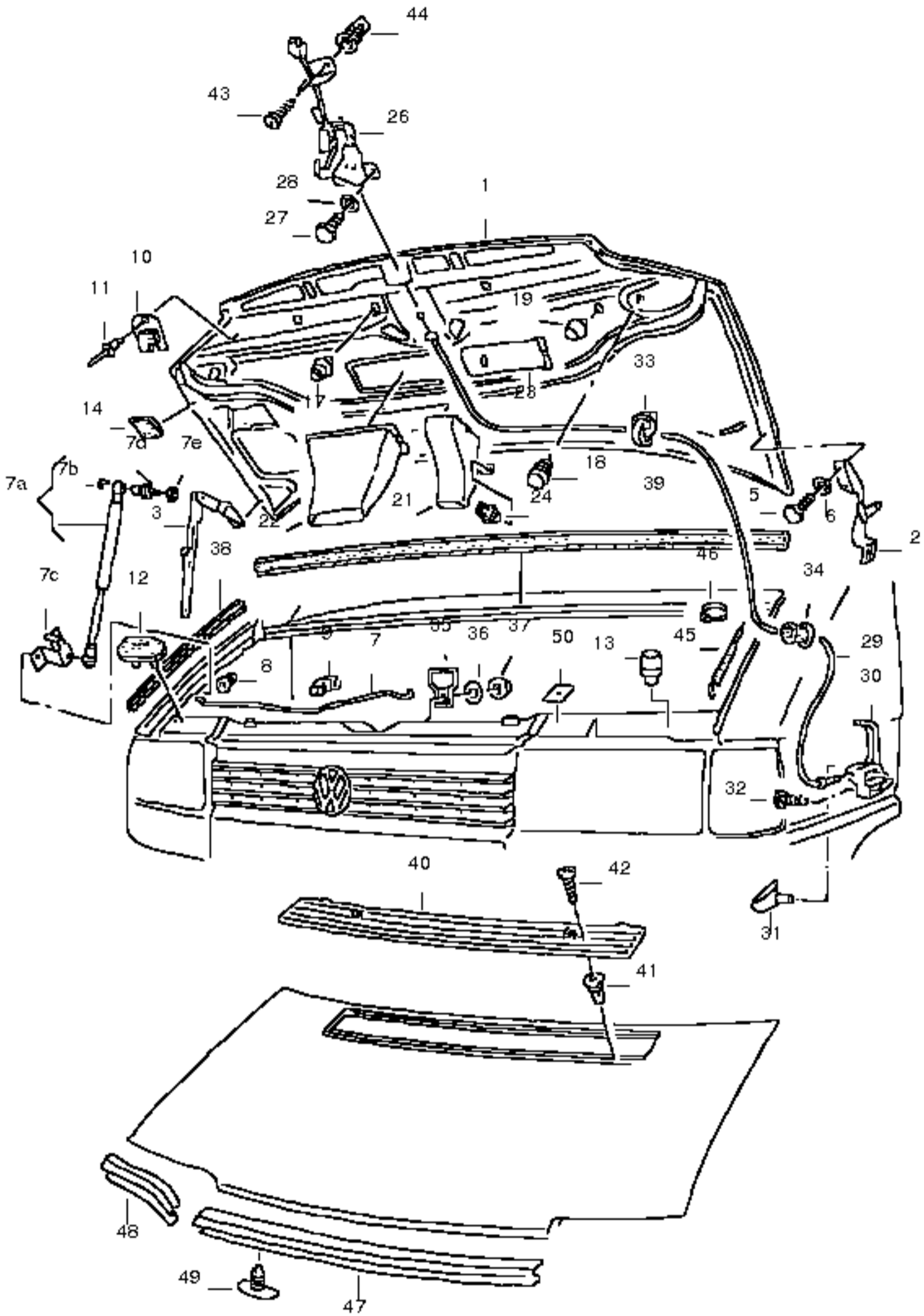
hook

(18) N 90347402

oval head panel screw / E4X12-K

19 703847167A

hinged fastener



bonnet

1 701823033H

bonnet

F >> 70-T-021 000*

use if required: / 701 819 162

(1) 701823033J

bonnet

F 70-T-021 001>>*

use if required: / 701 819 164 A

(1) 701823033J

bonnet / TDI

use if required: / 701 819 164 A

(2) 7D0805383A

bonnet hinge / left

also use: / 7D0 805 384 A

(3) 7D0805384A

bonnet hinge / right

also use: / 7D0 805 383 A

- 1H5827681B

limit stop

5 N 01021226

hexagonal head bolt / M6X12

6 N 0115476

washer / A6,5X14X1,6

7 701823361

bonnet stay / PR-AC0

(7) 7D0823361A

bonnet stay / PR-AC1

8 171823395

rubber mounting / 16/6,2

9 357823397

clip

10 7M0823573A

retainer / yellow / PR-AC1

11 N 90273201

pop-rivet / A3,2X10 / PR-AC1

gasket

make up from: / 701 819 069

18 867827500A

stop buffer / 30X22/12

19 701843316

stop buffer / 16X21

(22) 701145843A

air guide / 271X82MM / TDI

(22) 701823495

air duct / 237X98MM

701823495 01C satin black

22 701823495B

air duct / 297X98MM

701823495B 01C satin black

(23) 701823496

covering / 237X98MM / diesel eng.

air duct

701823496 01C satin black

23 701823496B

covering / 287X98MM / diesel eng.

701823496B 01C satin black

(23) 701819162

covering / TDI

F >> 70-T-021 000*

see illustration: / 819-20 POS.13

(23) 701819164A

covering / left lhd

/ right rhd

F 70-T-021 001>>*

see illustration: / 819-20 POS.13

26 7D0823509B

flap - lock

also use: / N 101 563 05

(27) N 10156305

hexagon head bolt c/w shoulder / M6X12

27 N 01021226

hexagonal head bolt / M6X12

28 N 0115476

washer / A6,5X14X1,6

29 7D2823531

bonnet lock cable

30 192823533

handle for bonnet lock cable

31 701823547A

holder for bowden cable

701823547A 01C satin black

32 N 0139729

oval head panel screw / ST4,8X25-C

33 701823567

clips

34 357823591

grommet

35 7D0806451A

arm / PR-AC0

36 N 01152423

washer / A6,4X12,5X1,6

37 N 01118312

hexagon nut, self-locking / M6

gasket for flap / CW-DICHTUNG

make up from: / 701 823 737

shorten to: / 400MM

39 701823737

gasket for separator plate / 1470MM

rework if necessary

40 701819103

air intake grille

701819103 01C satin black

41 251853684A

expanding nut

42 N 0139594

oval head panel screw / 3,5X16

protective edging

discontinued / replacement: / N 020 902 2

/ N 907 735 01

- N 0209022

cable tie / 6X246

- N 90773501

corrugated pipe in coils of 5m 'order unit 5' / 10

sealing piece

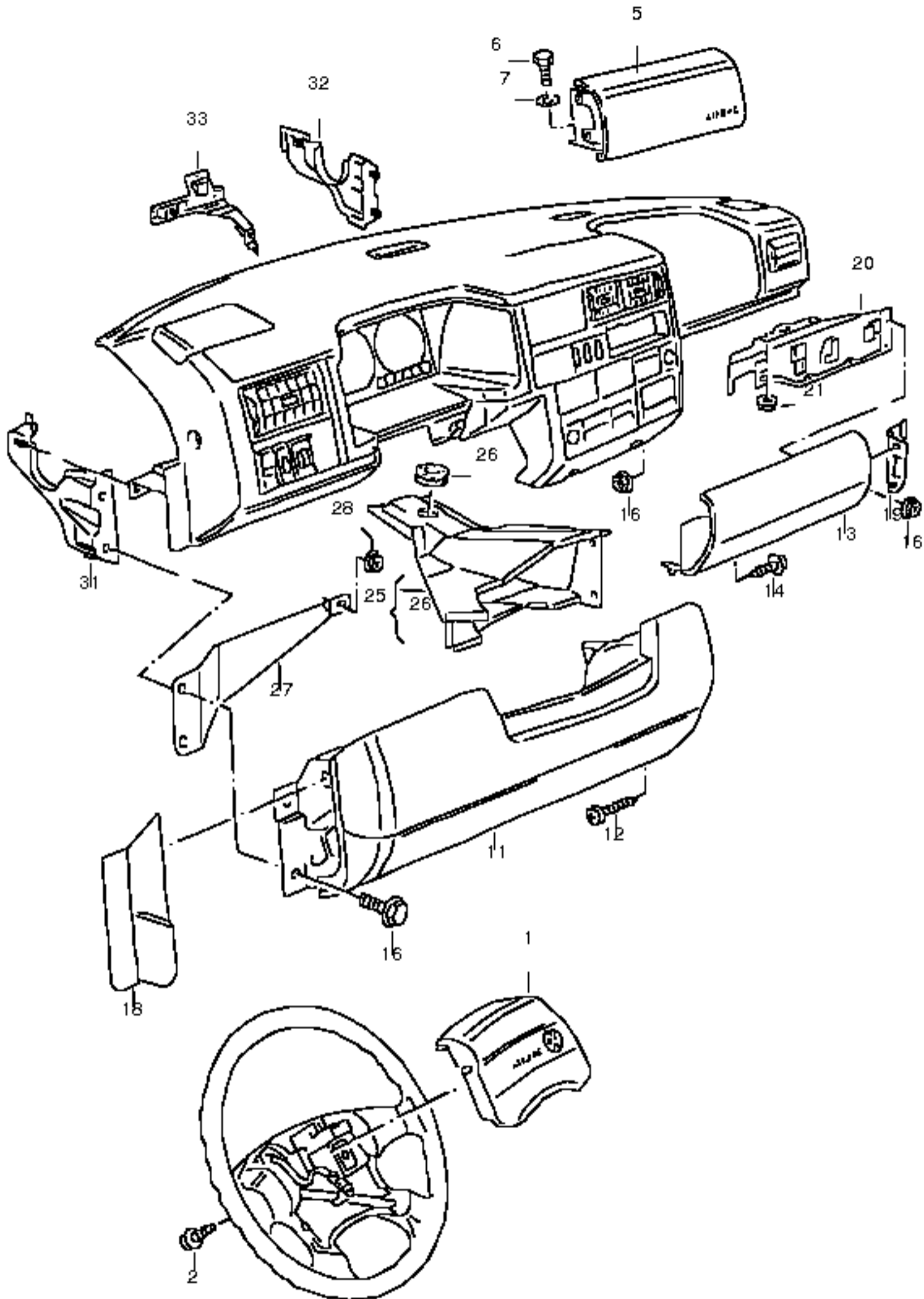
battery cover

see illustration: / 915-10

- 251853707D

protective edging / 3348MM

251853707D 1BG graphite



knee bar

airbag

** caution! dangerous cargo **

see workshop manual

1 7D0880203A

airbag unit for steering wheel

MIT REGISTRIERKARTE FUER KD

** only order for immediate installation **

7D0880203A 01C satin black

2 N 90614801

hexagon socket head bolt with collar / M6X21,5

5 701880200

airbag unit / right

(passenger side)

** only order for immediate installation **

701880200 E44 medium grey

701880200 G74 neptune blue

701880200 T34 sahara

6 N 01021226

hexagonal head bolt / M6X12

7 N 01166615

washer / 6,4X18X1,6

27 7D1880924

brace

31 701880963

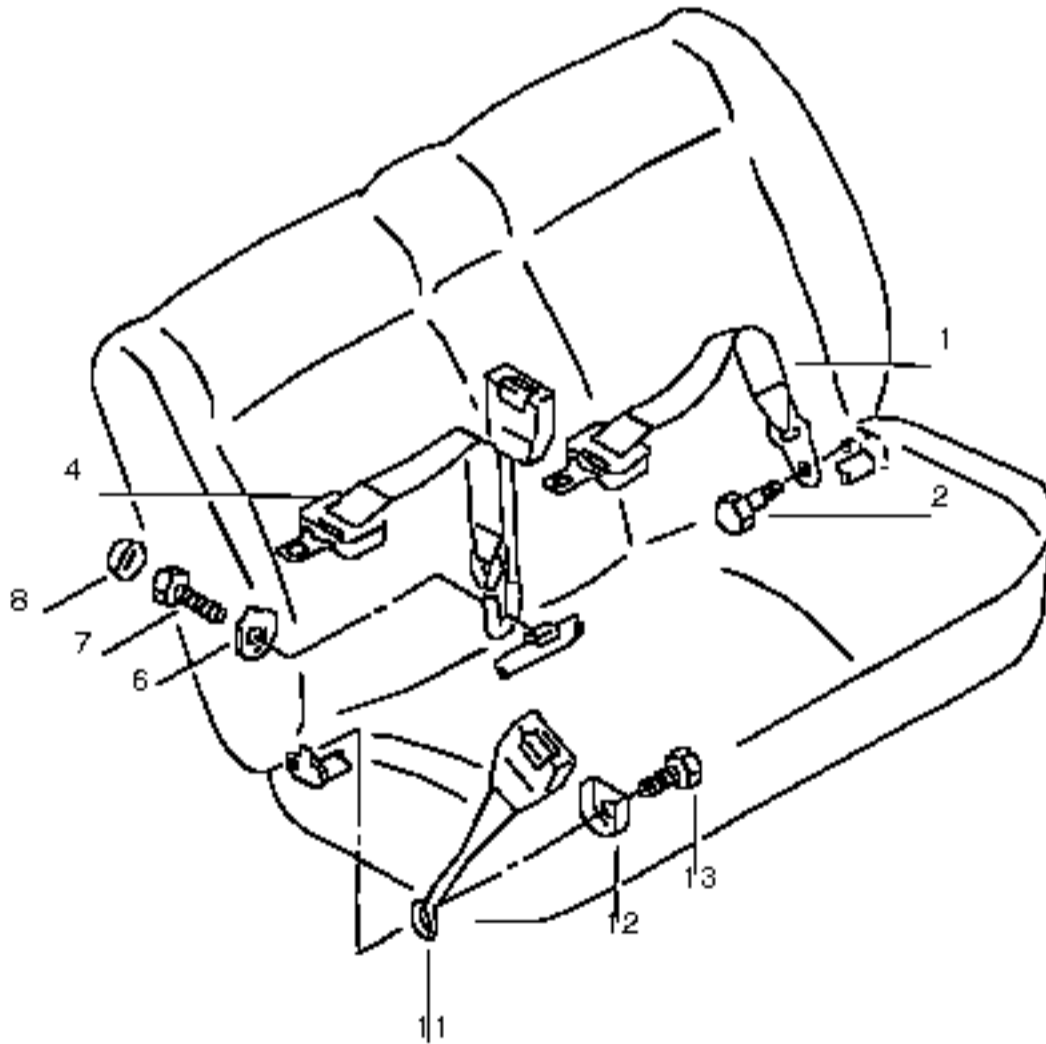
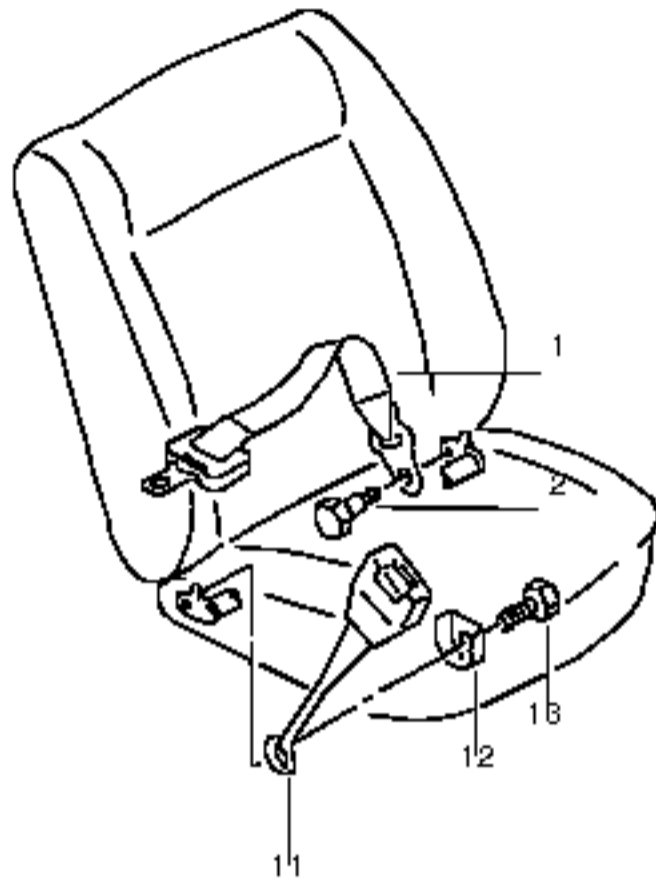
bearing bracket / left

32 701880964

bearing bracket / right

33 701880975

bearing bracket / center



lap belt
for passenger compartement
for vehicle with individual seats

bench seat
2 seater
not for: folding seat in passeng. comp.
seat bench installation facing opposite to travel direction
703857813K 01C satin black

- 703857813F
lap belt with inertia reel / right
seat bench installation facing opposite to travel direction
703857813F 01C satin black

- 703857837A
belt guide

- 703857813J
lap belt with inertia reel and press button buckle / center
seat bench installation facing opposite to travel direction
703857813J 01C satin black

- 703857743
flexible lock / left
seat bench installation facing opposite to travel direction
703857743 01C satin black
three-point seat belt
for folding seat
see illustration: / 857-74

1 703857710
lap belt
703857710 01C satin black

2 111857799
hexagonal head bolt / 7/16"X25

4 703857821
lap belt with press button buckle
(sliding door, right)
703857821 01C satin black

(4) 703857813J
lap belt with inertia reel and press button buckle
(sliding door, right)
703857813J 01C satin black

(4) 703857822A
lap belt with press button buckle
(sliding door, left)
703857822A 01C satin black

6 165857900
cover cap

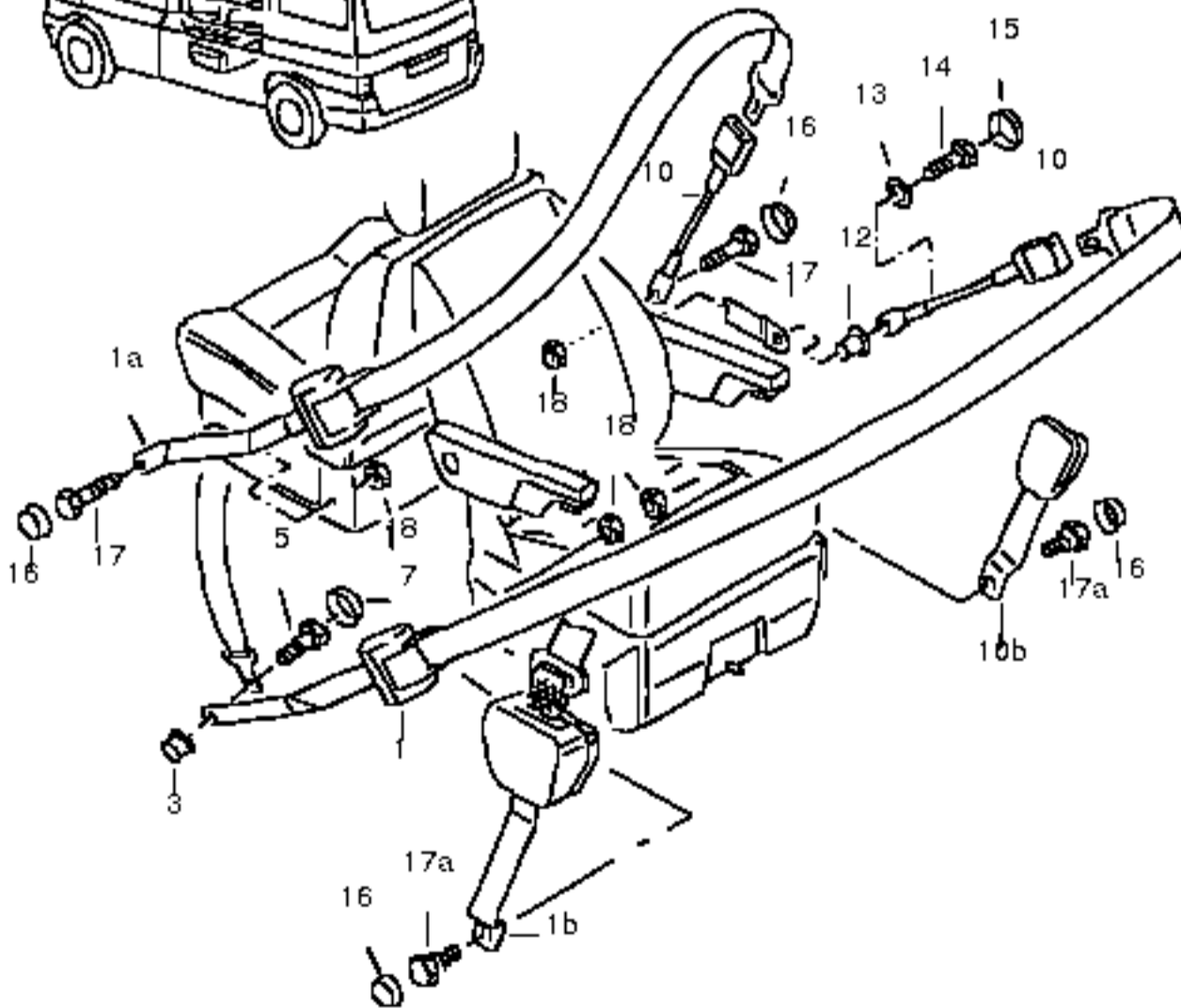
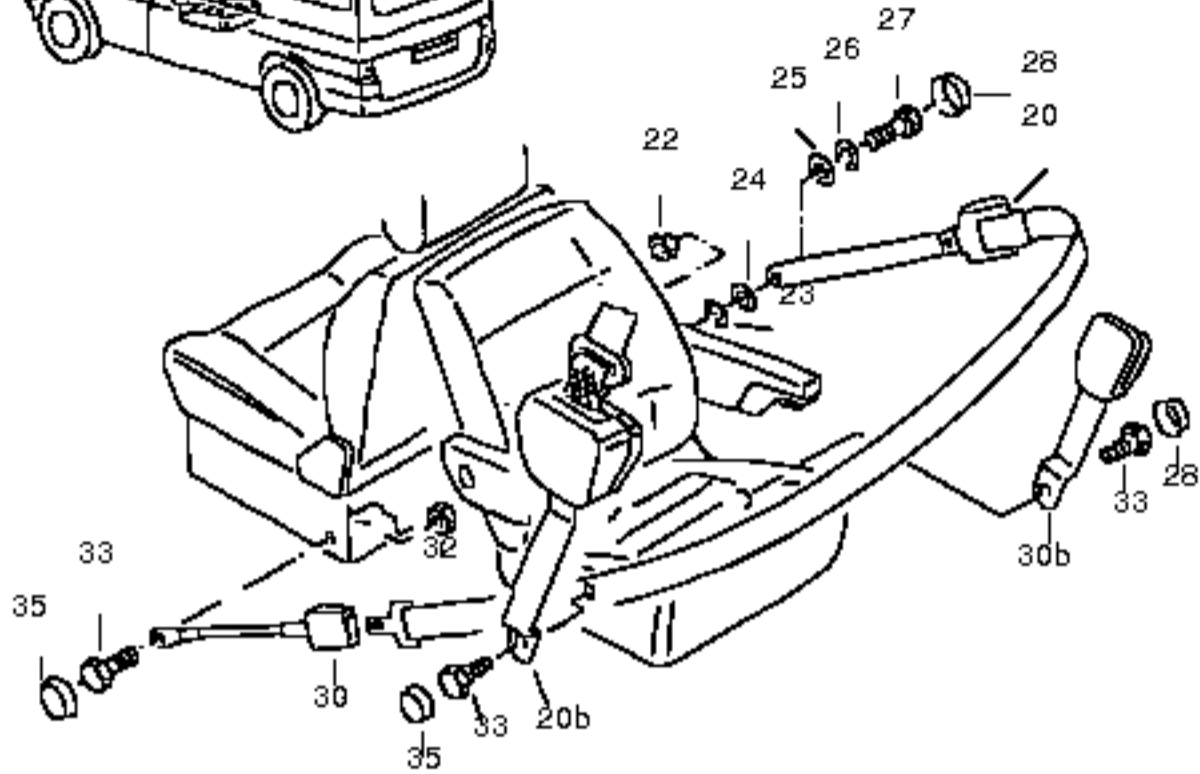
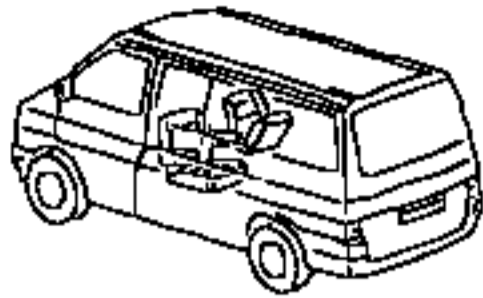
7 803019837
hexagonal head bolt / 7/16"X35

(8) 281857797
cover cap
281857797 01C satin black

11 703857743
flexible lock
703857743 01C satin black

12 165857900
cover cap

13 111857799
hexagonal head bolt / 7/16"X25



lap belts in passenger compartment
for single seat with storage box
cool box

1A 703857813H
lap belt with inertia reel
703857813H 01C satin black

1B 703857813N
lap belt with inertia reel
703857813N 01C satin black

3 705857845
spacer sleeve / 26MM
shorten to: / 19MM

5 N 98910201
fitted bolt / 7/16"X20UNFX
/ 51,4

(7) 281857797
cover cap
281857797 01C satin black

10 255857843A
press button buckle

10B 703857743C
press button buckle
703857743C 01C satin black

12 251857855
sleeve

13 251857854A
concave spring washer

14 111857799
hexagonal head bolt / 7/16"X25

15 281857797
cover cap
281857797 01C satin black

16 281857797
cover cap
281857797 01C satin black

17 111857799A
hexagonal head bolt / 7/16"X20

17A 111857799A
hexagonal head bolt / 7/16"X20
shorten to: / 16MM

18 803019862
hexagonal nut

lap belts in passenger compartment
for folding seat

20 703857813B
lap belt with inertia reel for folding seat
703857813B 01C satin black

20B 703857813M
lap belt with inertia reel
703857813M 01C satin black

22 803019862
hexagonal nut

23 251857854A
concave spring washer

24 251857853A
teflon washer

25 251857853
teflon washer

26 251857854
concave spring washer

27 111857793C
hexagonal head bolt

28 281857797
cover cap
281857797 01C satin black

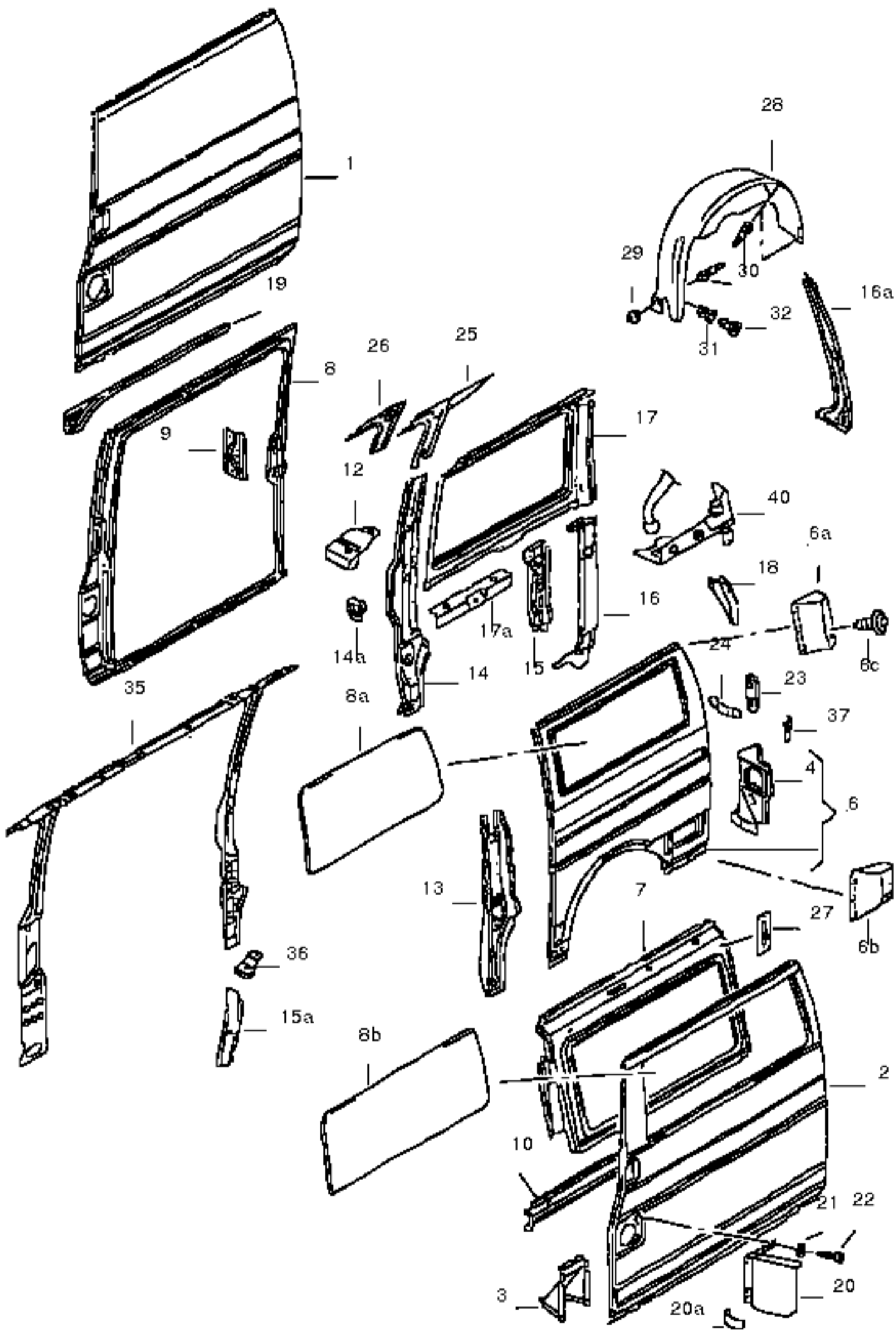
30 255857843A
press button buckle

30B 703857743D
press button buckle
703857743D 01C satin black

32 803019862
hexagonal nut

33 111857799A
hexagonal head bolt / 7/16"X20

35 281857797
cover cap
281857797 01C satin black



outer and inner panel, pillars b and c

1 7D1809159
outer panel for side panel / left front / delivery van

(1) 7D1809160
outer panel for side panel / right front / delivery van

2 7D1809159A
outer panel for side panel / left front / kombi van
for vehicles with window opening / bus

(2) 7D1809160A
outer panel for side panel / right front / kombi van
for vehicles with window opening / bus

3 701804781A
covering
for: fuel filler pipe

4 701809161
insert plate / left rear
mounting for tail light

(4) 701809162
insert plate / right rear
mounting for tail light

6 701809171B
outer panel for side panel / left rear / delivery van
for models with wheelbase: / 2920MM

(6) 701809171C
outer panel for side panel / left rear / delivery van
for vehicles with sliding door cut-out

for models with wheelbase: / 2920MM

(6) 703809171B
outer panel for side panel / left rear / kombi van
for vehicles with window opening / bus
for models with wheelbase: / 2920MM

(6) 703809171C
outer panel for side panel / left rear / kombi van
for models with sliding door and window opening / bus
for models with wheelbase: / 2920MM

(6) 721809171B
outer panel for side panel / left rear / delivery van
for models with wheelbase: / 3320MM

(6) 721809171C
outer panel for side panel / left rear / delivery van
for vehicles with sliding door cut-out
for models with wheelbase: / 3320MM

(6) 723809171B
outer panel for side panel / left rear / kombi van
for vehicles with window opening / bus
for models with wheelbase: / 3320MM

(6) 723809171C
outer panel for side panel / left rear / kombi van
for models with sliding door and window opening / bus
for models with wheelbase: / 3320MM

(6) 701809172B
outer panel for side panel / right rear / delivery van
for vehicles with sliding door cut-out

for models with wheelbase: F >> 70-T-060 000*

(6) 701809172D
outer panel for side panel / right rear / delivery van
for vehicles with sliding door cut-out
for models with wheelbase: / 2920MM

F 70-T-060 001>>*

(6) 701809172E
outer panel for side panel / right rear / delivery van
for models with wheelbase: / 2920MM

F >> 70-T-060 000*

(6) 701809172F
outer panel for side panel / right rear / delivery van
for models with wheelbase: / 2920MM

F 70-T-060 001>>*

(6) 703809172B
outer panel for side panel / right rear / kombi van
for models with sliding door and window opening / bus
for models with wheelbase: / 2920MM

F >> 70-T-060 000*

(6) 703809172D
outer panel for side panel / right rear / kombi van
for models with sliding door and window opening / bus
for models with wheelbase: / 2920MM

F 70-T-060 001>>*

(6) 703809172E
outer panel for side panel / right rear / kombi van
for vehicles with window opening / bus
for models with wheelbase: / 2920MM

F >> 70-T-060 000*

(6) 703809172F
outer panel for side panel / right rear / kombi van
for vehicles with window opening / bus
for models with wheelbase: / 2920MM

F 70-T-060 001>>*

(6) 721809172B
outer panel for side panel / right rear / delivery van
for models with wheelbase: / 3320MM

F >> 70-T-060 000*

(6) 721809172G
outer panel for side panel / right rear / delivery van
for models with wheelbase: / 3320MM

F 70-T-060 001>>*

(6) 721809172C
outer panel for side panel / right rear / delivery van
for vehicles with sliding door cut-out
for models with wheelbase: / 3320MM

F >> 70-T-060 000*

(6) 721809172H
outer panel for side panel / right rear / delivery van
for vehicles with sliding door cut-out
for models with wheelbase: / 3320MM

F 70-T-060 001>>*

(6) 723809172B
outer panel for side panel / right rear / kombi van
for vehicles with window opening / bus
for models with wheelbase: / 3320MM

F >> 70-T-060 000*

(6) 723809172G
outer panel for side panel / right rear / kombi van
for vehicles with window opening / bus
for models with wheelbase: / 3320MM

F 70-T-060 001>>*

(6) 723809172C
outer panel for side panel / right rear / kombi van
for models with sliding door and window opening / bus
for models with wheelbase: / 3320MM

F >> 70-T-060 000*

(6) 723809172H
outer panel for side panel / right rear / kombi van
for models with sliding door and window opening / bus
for models with wheelbase: / 3320MM

F 70-T-060 001>>*

- 701807335
bracket for light

7 701809187B
inner panel / left
outer panel for side panel

(7) 701809188B
inner panel / right
outer panel for side panel

8 701810100
frame / right
see illustration: / 809-65
sub-parts

8A 703809271
metal panel for side window aperture / left rear / kombi van
for models with wheelbase: / 2920MM

(8A) 703809272
metal panel for side window aperture / right rear / kombi van
for models with wheelbase: / 2920MM

(8A) 723809271
metal panel for side window aperture / left rear / kombi van
for models with wheelbase: / 3320MM

(8A) 723809272
metal panel for side window aperture / right rear / kombi van
for models with wheelbase: / 3320MM

8B 703809491
metal panel for side window aperture / front / kombi van

9 701810099
frame / left
arrester hook

(9) 701809284C
reinforcement / right
arrester hook

10 701809335
reinforcement
outer panel for side panel

13 703809349
c-pillar, inner / left

(14) 703809349B
c-pillar, inner / left
for vehicles with sliding door cut-out

(13) 703809350
c-pillar, inner / right
F >> 70-T-060 000*

(13) 701809352
c-pillar, inner / right
F 70-T-060 001>>*

14 703809350A
c-pillar, inner / right
for vehicles with sliding door cut-out
F >> 70-T-060 000*

(14) 701809352F
c-pillar, inner / right
for vehicles with sliding door cut-out
F 70-T-060 001>>*

use if required: / N 011 411 1

- N 0114111
panel nut / 7/16"-20UNF-B

15 703809355
intermediate panel / left rear
wheel housing
for models with wheelbase: / 2920MM

(15) 723809355
intermediate panel / left rear
wheel housing
for models with wheelbase: / 3320MM

(15) 703809356
intermediate panel / right rear
wheel housing
for models with wheelbase: / 2920MM

(15) 723809356
intermediate panel / right rear
wheel housing
for models with wheelbase: / 3320MM

F >> 70-T-060 000*

(15) 723809356A
intermediate panel / right rear
wheel housing
for models with wheelbase: / 3320MM

F 70-T-060 001>>*

- 721809357
gusset plate / left lower
c-pillar
for models with wheelbase: / 3320MM

- 721809358
gusset plate / right lower
c-pillar
for models with wheelbase: / 3320MM

16 7D1809027A
d-pillar / left
for models with wheelbase: / 2920MM

(16) 723809411
d-pillar / left
for models with wheelbase: / 3320MM

(16) 701809412
d-pillar / right
for models with wheelbase: / 2920MM

(16) 723809412
d-pillar / right
for models with wheelbase: / 3320MM

- 701809591
reinforcement for pillar d / left

- 701809592
reinforcement for pillar d / right

(17) 703810361
inner panel / left rear
for models with wheelbase: / 2920MM

(17) 723810361
inner panel / left rear
for models with wheelbase: / 3320MM

17 703810362
inner panel / right rear
for models with wheelbase: / 2920MM

(17) 723810362
inner panel / right rear
for models with wheelbase: / 3320MM

18 701809599
gusset plate for d-pillar / left upper

(18) 701809600
gusset plate for d-pillar / right upper

(19) 701809901A
channel / upper
for sliding door / left

(19) 701809902A
channel / upper
for sliding door / right

F >> 70-T-060 000*

(19) 701809902B
channel / upper
for sliding door / right

F 70-T-060 001>>*

20 701809905
flap for fuel filler

- 443809931
leaf spring

21 N 0116644
washer / B4,3X12X1

22 N 0139649
oval head panel screw / ST4,2X16-C

23 701827267A
threaded plate
wing doors / rear

24 701827275A
retainer
threaded plate

- D 180KD1A3
2k-body adhesive / 2X150ML

- 701810606
reinforcement for pillar c
F 70-T-060 001>>*

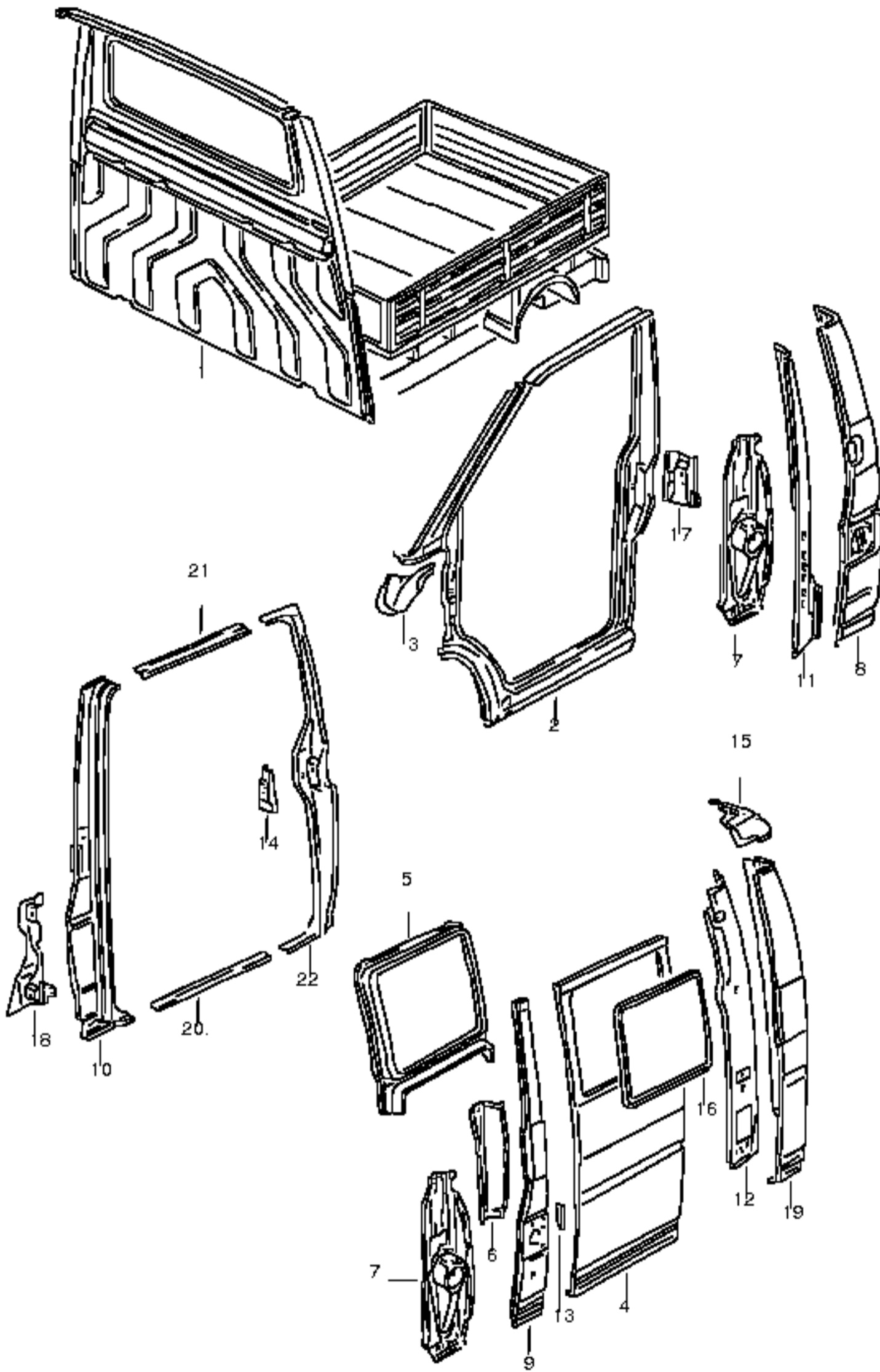
(25) 701810185
reinforcement for pillar c / left upper

25 701810186
reinforcement for pillar c / right upper

(26) 701810927
reinforcement for pillar c / left upper
repair plate
sliding door side
F >> 70-T-060 000*

26 701810928
reinforcement for pillar c / right upper
repair plate
sliding door side

27 703809445
reinforcement



outer and inner panels / pick-up
rear panel - cab / double cab

1 707805419
rear panel - cab

2 7D0810101A
frame / left

(2) 7D0810102A
frame
driver's door

3 701805187
air guide plate / left

(3) 701805187A
air guide plate / left / TDI

(3) 701805188
air guide plate / right

(3) 701805188A
air guide plate / right / TDI

4 729809159
outer panel / double cab

5 729809187
inner panel upper part / double cab

6 729809191
inner panel / lower / double cab
b-pillar / left

(6) 729809192
inner panel / lower / double cab
c-pillar / left

7 7D1809251G
b-pillar, inner / left

(7) 7D1809252E
b-pillar, inner / right

8 7D5809255A
corner part / left / pick-up

(8) 7D5809256A
corner part / right / pick-up

9 7D7809255B
b-pillar, outer / left / double cab

(9) 7D7809256C
b-pillar, outer / right / double cab

(10) 7D7809255C
b-pillar, outer / left / double cab
for vehicles with wing door / side

10 7D7809256C
b-pillar, outer / right / double cab
for vehicles with wing door / side

11 707809267
inner panel / left / pick-up

(11) 707809268
inner panel / right / pick-up

12 729809351
c-pillar, inner / left / double cab

(12) 729809351A
c-pillar, inner / left / double cab
for vehicles with wing door / side

(12) 729809352
c-pillar, inner / right / double cab

(12) 729809352A
c-pillar, inner / right / double cab
for vehicles with wing door / side

13 729809385
filler plate / left / double cab
b-pillar / lower

(14) 7D7809391A
reinforcem. for striker plate / left / double cab

14 7D7809392A
reinforcem. for striker plate / right / double cab

15 729809399
connecting part / left rear / double cab
for roof frame

(15) 729809400
connecting part / right rear / double cab
for roof frame

17 701809611
reinforcement for pillar b / left, center

(17) 701809612C
reinforcement for pillar b / right, center

(18) 729809615
hinge reinforcement / left / double cab
for vehicles with wing door / side

18 729809616
hinge reinforcement / right / double cab
for vehicles with wing door / side

19 729810189
c-pillar, outer / left / double cab
corner part

(19) 729810189A
c-pillar, outer / left / double cab
corner part
for wing door / side

(19) 729810190
c-pillar, outer / right / double cab

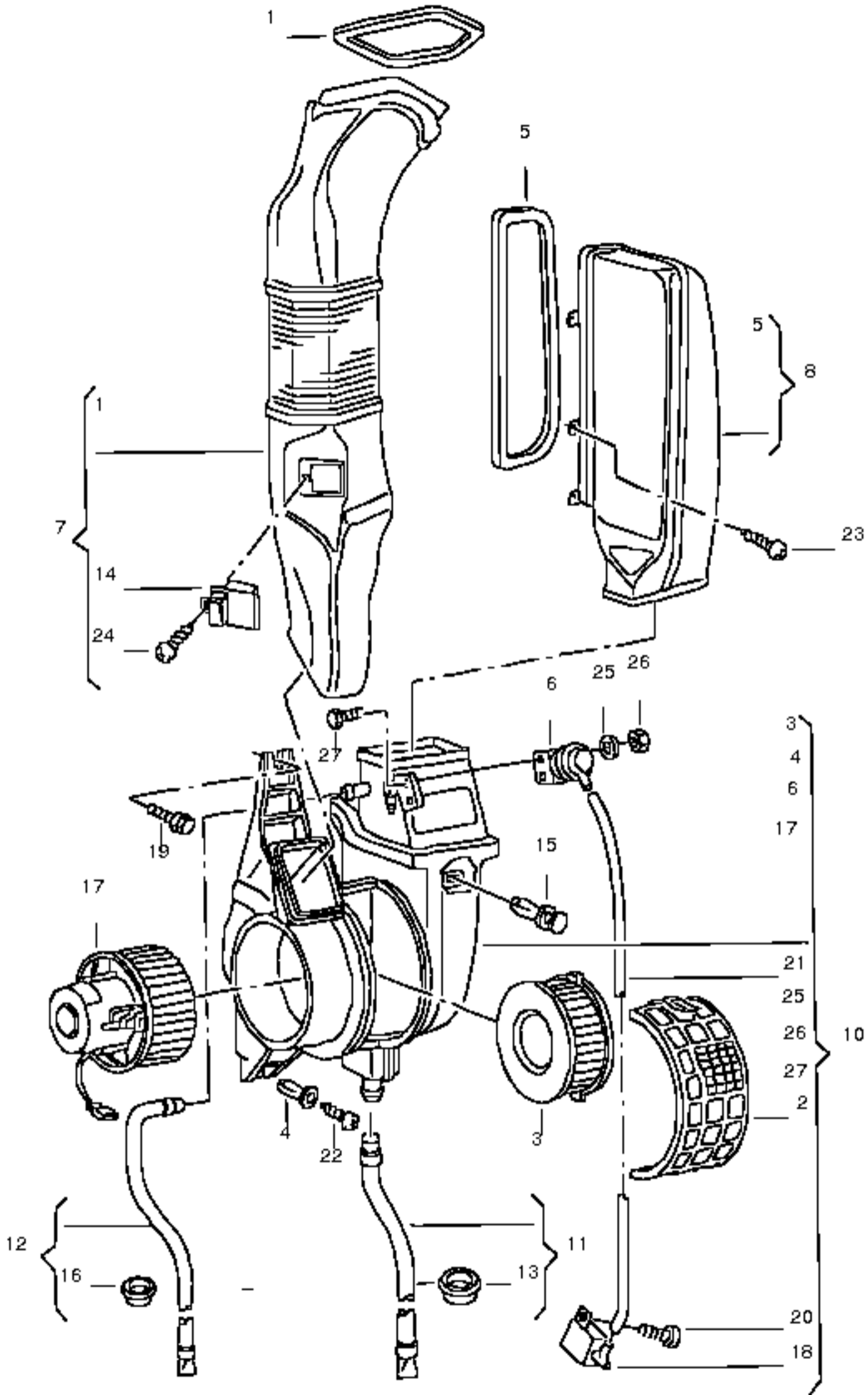
(19) 7D7810190B
c-pillar, outer / right / double cab
corner part
for wing door / side

20 729810191
frame / lower / double cab
for wing door / side

21 7D7810193
frame / upper / double cab
for wing door / side

(22) 729810197
frame / left rear / double cab
for wing door / side

22 7D7810198A
frame / right rear / double cab
for wing door / side



passenger comp. ventilation

1 7D0820190

gasket for air duct

2 703819996

locking cover

air cleaner element

3 7D0819989

air cleaner element

dust and pollen filter

(3) 703819990A

filter element

4 703819948

clip nut / 15,7X20MM

5 703815938

gasket

6 703819910

vacuum unit

(7) 703819908C

air duct

8 703819906

intake duct

(10) 7D0819903B

air distribution housing

11 703815990

water drain pipe

12 703815990A

water drain pipe

13 703815939

grommet / 51X22X66

14 701959263C

series resistor / 0,42/0,22

15 701867299

clip

701867299 01C

satin black

16 701820751A

grommet / 42X12X33

17 701819021B

blower / lhd

18 028906283

solenoid change-over valve / black

19 N 90542603

hex. hd. self-tap bolt (combi) / 6,6X19-D

20 N 90229401

fillister hd. bolt / E4,8X16K

21 N 0201391

tube in coils of 5m 'order unit 5' / 4X1

shorten to: / 550MM

- N 0203535

hose in coils of 5m 'order unit 5' / 3,5X2

22 N 0139713

oval head panel screw / B4,8X22

shorten to: / 50MM

23 N 0139622

oval head panel screw / ST3,9X16-C

24 N 0139566

oval head panel screw / B3,5X6,5-C

25 N 0115227

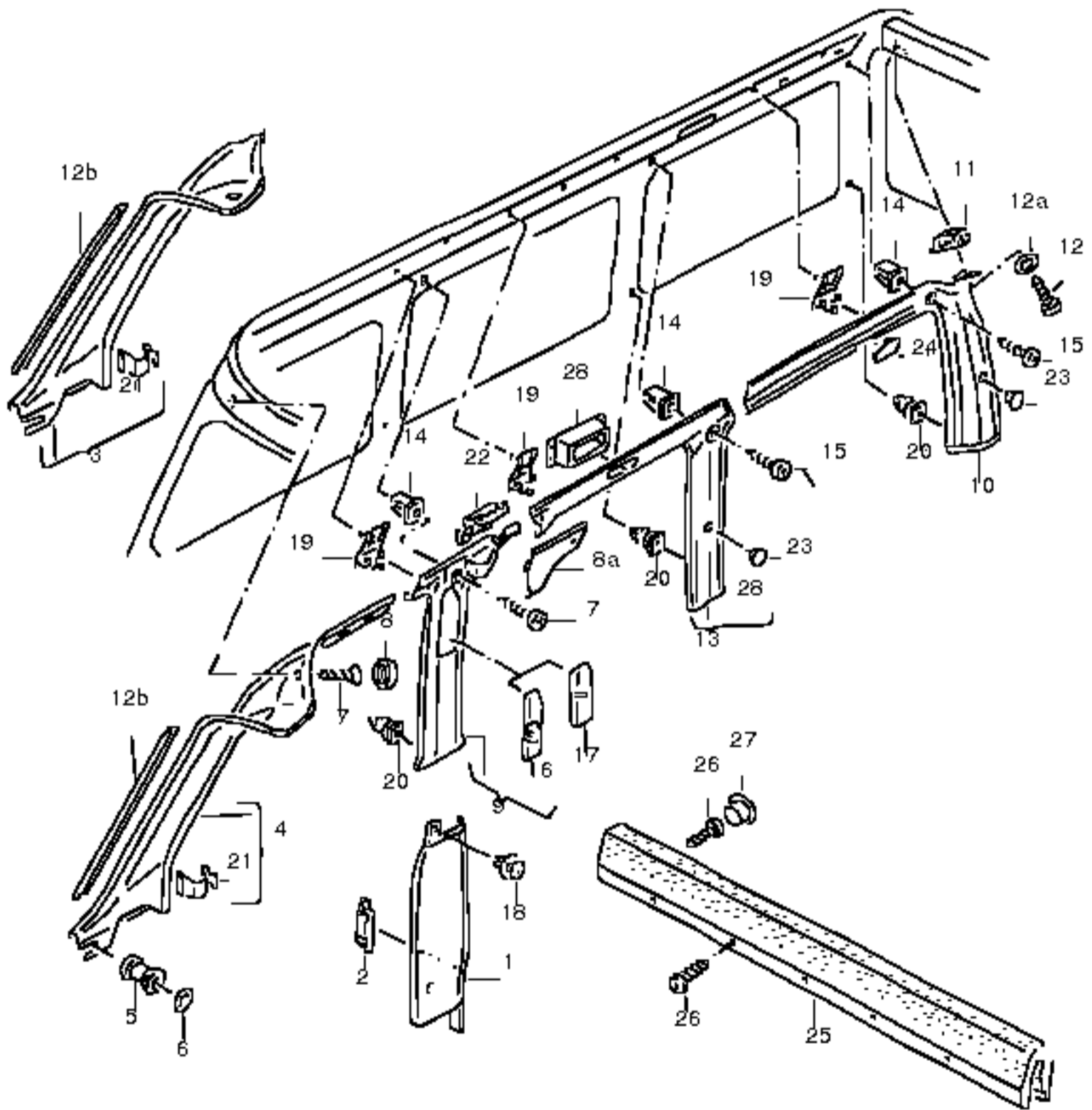
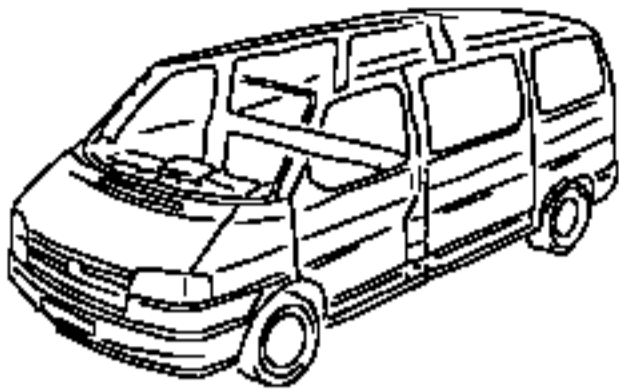
washer / A4,3X9X0,8

26 N 0110042

hexagonal nut / M4

27 N 0102017

hexagonal head bolt / M4X8



pillar trim
padded strip for full-width partition

(1) 705867037
b-pillar trim / left lower
705867037 2VW light grey
705867037 5KH neptune blue
705867037 9XW sahara

1 705867038
b-pillar trim / right lower
705867038 2VW light grey
705867038 5KH neptune blue
705867038 9XW sahara

(1) 705867038B
b-pillar trim / right lower
705867038B 2VW light grey
705867038B 5KH neptune blue
705867038B 9XW sahara

- 701867331A
clips

2 705867200
clips

(4) 705867233
lining, pillar a / left upper
705867233 9UW sahara / -UD,LM,BF,ZZ, / NA,WH,ME
705867233 9XK light grey / -UA,LA,BC,BR, / WE,MD,02,FR, / 21,R1

(4) 705867233A
lining, pillar a / left upper
705867233A 1XN sahara / -ET
705867233A 2XL neptune blue / -EF
705867233A 6XH light grey / -DG,ES

4 705867234
lining, pillar a / right upper
705867234 9UW sahara / -UD,LM,BF,ZZ, / NA,WH,ME

(4) 705867234B
lining, pillar a / right upper
also use: / 705 867 915
(9XK)
705867234B 9XK light grey

- 705867915
cover cap
705867915 9XK light grey

(4) 705867234A
lining, pillar a / right upper
705867234A 1XN sahara / -ET
705867234A 6XH light grey / -DG,ES

5 701868269
rubber bush

6 N 0120571
clamping washer / 5X14,3

7 N 90157501
panel screw / B4,2X25

8 357867169
cover cap
357867169 3KX neptune blue
357867169 9UW sahara
357867169 9XK light grey

(8A) 701867237
connecting part / left
for models with precut headlining
701867237 9UW sahara
701867237 9XK light grey

8A 701867238
connecting part / right
for models with precut headlining
701867238 9UW sahara
701867238 9XK light grey

(9) 705867239P
b-pillar trim / left upper
also use: / 705 867 297 A
for vehicles without height-adjustable seat belts / in appropriate colour.
705867239P 9UW sahara / -BF,ME,NA,WH, / ZZ
705867239P 9XK light grey / -BC,FN,MD,WE, / 02

(9) 705867239T
b-pillar trim / left upper
sliding door side
also use: / 705 867 297 A
for vehicles without height-adjustable seat belts / in appropriate colour.
705867239T 9UW sahara / -BF,ME,NA,WH,
/ ZZ

(9) 705867239Q
b-pillar trim / left upper
also use: / 705 867 297 A
for vehicles without height-adjustable seat belts / in appropriate colour.
705867239Q 1XN sahara / -ET
705867239Q 6XH light grey / -DG,ES

(9) 705867239AA
b-pillar trim / left upper
sliding door side
also use: / 705 867 297 A
for vehicles without height-adjustable seat belts / in appropriate colour.
705867239AA 1XN sahara / -ET
705867239AA 2XL neptune blue / -EF
705867239AA 6XH light grey / -DG,ES

9 705867240P
b-pillar trim / right upper
also use: / 705 867 298 A
for vehicles without height-adjustable seat belts / in appropriate colour.
705867240P 9UW sahara / -BF,ME,NA,WH, / ZZ
705867240P 9XK light grey / -BC,FN,MD,WE, / 02

(9) 705867240T
b-pillar trim / right upper
sliding door side
also use: / 705 867 298 A
for vehicles without height-adjustable seat belts / in appropriate colour .
705867240T 9UW sahara / -BF,ME,NA,WH, / ZZ

(9) 705867240K
b-pillar trim / right upper
sliding door side
also use: / 705 867 915
(9XK)
also use: / 705 867 298A
for vehicles without height-adjustable seat belts / in appropriate colour .
705867240K 9XK light grey / -BC,FN,MD,WE,

(9) 705867240Q
b-pillar trim / right upper
also use: / 705 867 298 A
for vehicles without height-adjustable seat belts / in appropriate colour .
705867240Q 1XN sahara / -ET
705867240Q 2XL neptune blue / -EF
705867240Q 6XH light grey / -DG,ES

(9) 705867240AA
b-pillar trim / right upper
sliding door side
also use: / 705 867 298 A
for vehicles without height-adjustable seat belts / in appropriate colour .
705867240AA 1XN sahara / -ET
705867240AA 2XL neptune blue / -EF
705867240AA 6XH light grey / -DG,ES

(9) 703867240
b-pillar trim / right upper / ambulance
sliding door side
703867240 9UW sahara / -BF,ME,NA,WH, / ZZ

(10) 705867245
lining, pillar d / left upper
for models with wheelbase: / 2920MM
705867245 9UW sahara / -BF,ZZ,NA,WH, / ME
705867245 9XK light grey / -BC,FN,WE,MD, / 02

(10) 705867245A
lining, pillar d / left upper
for models with wheelbase: / 2920MM
705867245A 1XN sahara / -ET
705867245A 2XL neptune blue / -EF

(10) 725867245
lining, pillar d / left upper
for models with wheelbase: / 3320MM
725867245 2XL neptune blue / -EF
725867245 9UW sahara / -BF,ZZ,NA,WH, / ME
725867245 9XK light grey / -BC,FN,WE,MD, / 02

10 705867246
lining, pillar d / right upper
for models with wheelbase: / 2920MM
705867246 9UW sahara / -BF,ZZ,NA,WH, / ME
705867246 9XK light grey / -BC,FN,WE,MD, / 02

(10) 705867246M
lining, pillar d / right upper
for vehicles with air condit.
for vehicles with 2nd evaporator
for models with wheelbase: / 2920MM
705867246M 9UW sahara / -BF,ZZ,NA,WH, / ME
705867246M 9XK light grey / -BC,FN,WE,MD, / 02

(10) 705867246A
lining, pillar d / right upper
for models with wheelbase: / 2920MM
705867246A 1XN sahara / -ET
705867246A 2XL neptune blue / -EF
705867246A 6XH light grey / -DG,ES

(10) 705867246N
lining, pillar d / right upper
for vehicles with air condit.
for vehicles with 2nd evaporator
for models with wheelbase: / 2920MM
705867246N 1XN sahara / -ET
705867246N 2XL neptune blue / -EF
705867246N 6XH light grey / -DG,ES

(10) 725867246
lining, pillar d / right upper
for models with wheelbase: / 3320MM
725867246 2XL neptune blue / -EF
725867246 9UW sahara / -BF,ZZ,NA,WH, / ME
725867246 9XK light grey / -BC,FN,WE,MD, / 02

- 253260130
press stud
253260130 5FK ascot grey
253260130 7UK beige grey

11 705868279
clips

12 N 0139655
oval head panel screw / B4,2X9,5

12A N 0116644
washer / B4,3X12X1

12B 7D0867249
beading
a-pillar, inner
7D0867249 01C satin black

(13) 705867285
lining, pillar c / left upper
705867285 9UW sahara / -BF,ZZ,NA,WH, / ME
705867285 9XK light grey / -BC,FN,WE,MD, / 02

(13) 705867287R
lining, pillar c / left upper
sliding door side
705867287R 9UW sahara / -BF,ZZ,NA,WH, / ME
705867287R 9XK light grey / -BC,FN,WE,MD, / 02

(13) 705867285B
lining, pillar c / left upper
705867285B 1XN sahara / -ET
705867285B 2XL neptune blue / -EF

(13) 705867287S
lining, pillar c / left upper
sliding door side
705867287S 1XN sahara / -ET
705867287S 6XH light grey / -DG,ES

(13) 705867285F
lining, pillar c / left upper
for vehicles with auxiliary heater
705867285F 1XN sahara / -ET
705867285F 2XL neptune blue / -EF
705867285F 6XH light grey / -DG,ES

(13) 705867287AA
lining, pillar c / left upper
sliding door side
for vehicles with auxiliary heater
705867287AA 1XN sahara / -ET
705867287AA 2XL neptune blue / -EF

(13) 705867286
lining, pillar c / right upper
705867286 9UW sahara / -BF,ZZ,NA,WH, / ME
705867286 9XK light grey / -BC,FN,WE,MD, / 02

(13) 705867288R
lining, pillar c / right upper
sliding door side
705867288R 9UW sahara / -BF,ZZ,NA,WH, / ME
705867288R 9XK light grey / -BC,FN,WE,MD, / 02

(13) 705867286B
lining, pillar c / right upper
705867286B 1XN sahara / -ET
705867286B 6XH light grey / -DG,ES

(13) 705867288S
lining, pillar c / right upper
sliding door side
705867288S 1XN sahara / -ET
705867288S 2XL neptune blue / -EF
705867288S 6XH light grey / -DG,ES

(13) 705867286F
lining, pillar c / right upper
for vehicles with auxiliary heater
705867286F 1XN sahara / -ET
705867286F 2XL neptune blue / -EF
705867286F 6XH light grey / -DG,ES

(13) 705867288AA
lining, pillar c / right upper
sliding door side
for vehicles with auxiliary heater
705867288AA 2XL neptune blue / -EF

14 705857639
expanding nut

15 N 90157501
panel screw / B4,2X25

(16) 705867293C
slide valve / left
for models with height adjustable seat belts
705867293C 1XN sahara
705867293C 2XL neptune blue
705867293C 6XH light grey

16 705867294C
slide valve / right
for models with height adjustable seat belts
705867294C 1XN sahara
705867294C 2XL neptune blue
705867294C 6XH light grey

(17) 705867297A
covering / left
for vehicles without height-adjustable seat belts
705867297A 1XN sahara
705867297A 2XL neptune blue
705867297A 6XH light grey

17 705867298A
covering / right
for vehicles without height-adjustable seat belts
705867298A 1XN sahara
705867298A 6XH light grey

18 701867299
clip
701867299 3KX neptune blue
701867299 9UW sahara
701867299 9XK light grey

19 705867331A
clips

20 701867549
clip

21 701867331A
clips

22 705867633A
retaining clip
sliding door side

23 705868805
cover cap
705868805 3KX neptune blue
705868805 9UW sahara
705868805 9XK light grey

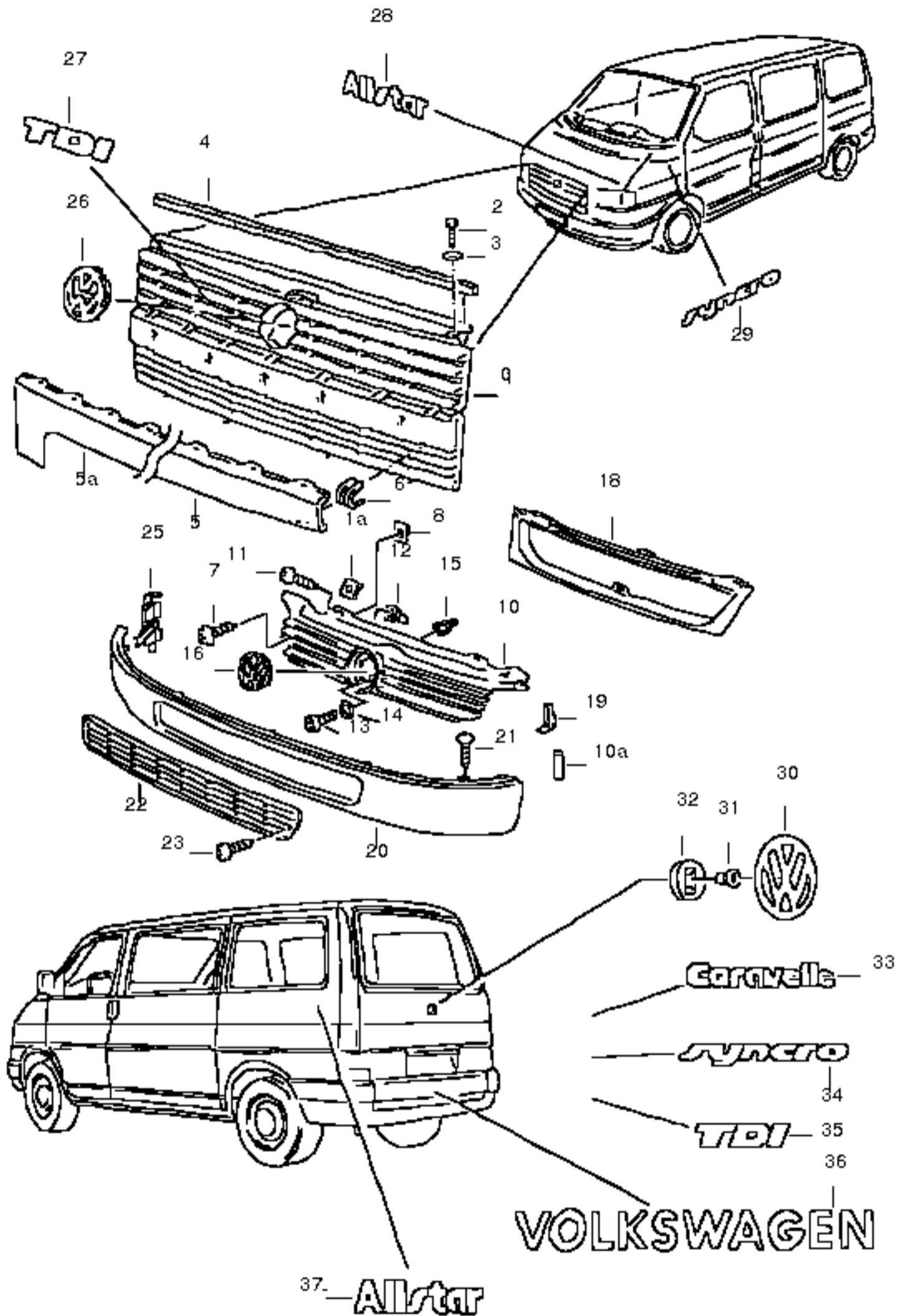
24 705868807
cover cap
705868807 3KX neptune blue
705868807 9UW sahara
705868807 9XK light grey

(24) 705868807A
cover cap / right
for vehicles with air condit.
for vehicles with 2nd evaporator
705868807A 3KX neptune blue
705868807A 9UW sahara
705868807A 9XK light grey

25 703867635
padded strip for full-width partition
703867635 4FB black

26 N 0139575
oval head panel screw / B3,5X9,5

27 255867645
plug
255867645 01C satin black



radiator grille
 inscriptions/lettering

(1) 701853653F
 radiator grille
 701853653F 01C satin black

1A N 0154292
 snap nut / ST4,2X16,5X11

2 N 0139649
 oval head panel screw / ST4,2X16-C

3 N 0116644
 washer / B4,3X12X1

4 701853669
 gasket / 16X18X900

5A 701854504B
 trim

(5A) 701854504C
 trim
 for vehicles with headlight washer system

6 701805163
 clip

inscriptions/lettering / front

26 3A0853600
 vw emblem
 3A0853600 EPG chrome

(26) 323853601
 vw emblem
 323853601 041 black

27 701853679A
 inscription / 'TDI'
 701853679A Z10 chrome

28 7D0854431
 foil inscription / 'ALLSTAR'
 7D0854431 DGZ green/orange

(28) 7D0854431A
 foil inscription / 'CLASSIC'
 7D0854431A DTH black/silver

inscriptions/lettering / rear

30 701853601F
 vw emblem
 701853601F DRR chrome

(30) 701853601C
 vw emblem
 701853601C 01C satin black

31 191853615A
 grommet

32 171853939
 clamping washer / 12X4

(33) 701853689E
 inscription / 'TRANSPORTER'
 701853689E Z10 chrome

33 705853689G
 inscription / 'CARAVELLE'
 705853689G Z10 chrome

(33) 705853689H
 inscription / 'CARAVELLE GL'
 705853689H Z10 chrome

(33) 703853689G
 inscription / 'MULTIVAN'
 703853689G Z10 chrome

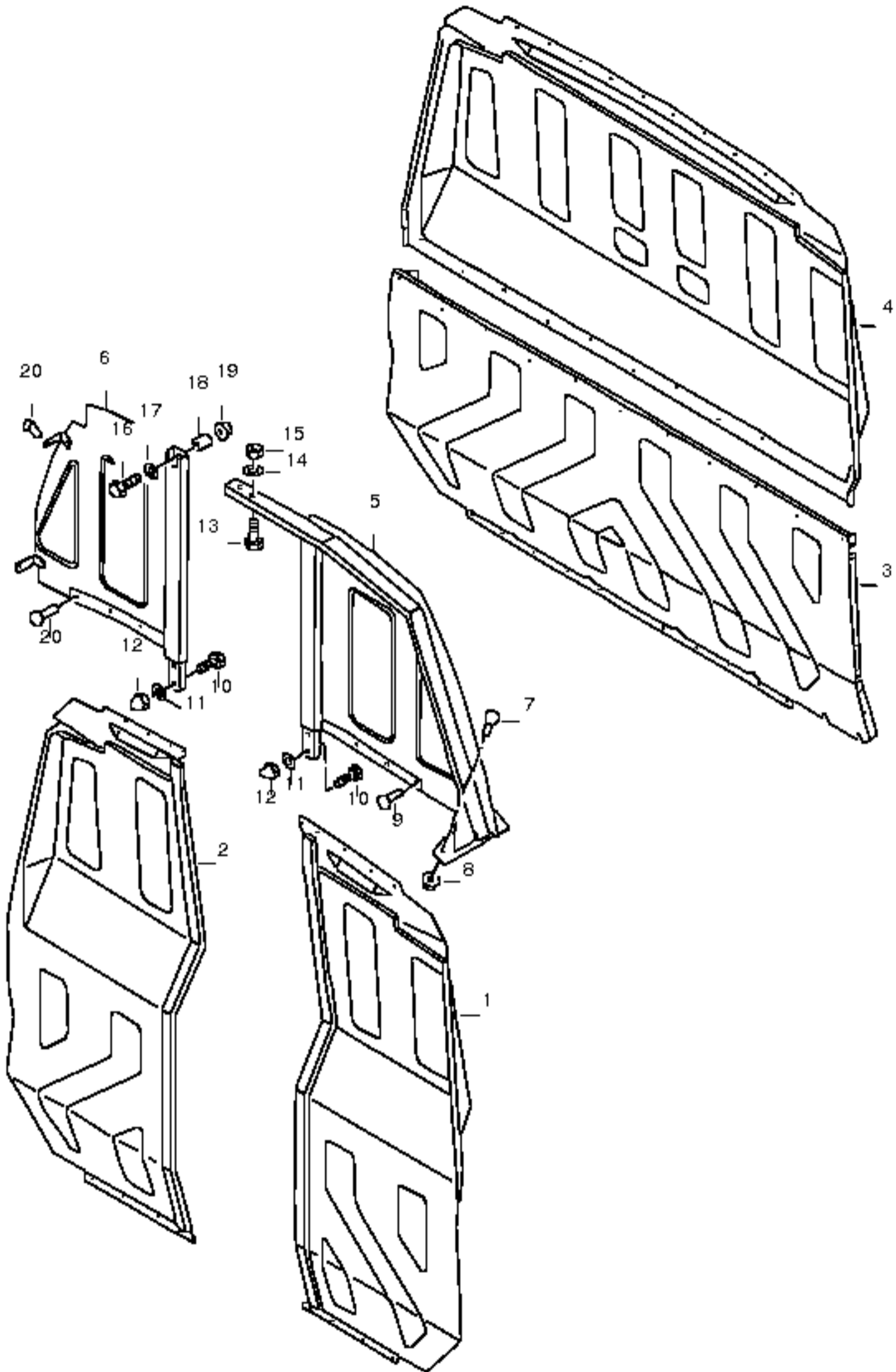
(33) 705853689K
 inscription / 'VANAGON' / "J.."
 705853689K Z10 chrome

(33) 707853689A
 inscription / 'VW ' / pick-up
 / 'TRANSPORTER' / double cab
 / 'TDI'
 707853689A CEV titan silver-dark/white

35 701853675B
 inscription / 'TDI'
 701853675B Z10 chrome

(35) 703853687A
 foil inscription / 'CLASSIC'
 703853687A DTH black/silver

37 703854433
 foil inscription / 'ALLSTAR'
 703854433 DGZ green/orange



rear panel
partitions

1 721863169
partition / left

(2) 721863170A
partition / right

(3) 701863171B
partition / lower

(3) 723863171C
partition / lower / ambulance

4 701863175
partition without window aperture

(4) 701863175A
partition with opening for fixed window

(4) 701863175B
partition with opening for sliding window

(4) 703863163
partition with opening for sliding window / ambulance

5 721863163
partition / left upper
for high roof

(5) 721863163A
partition / left upper
for high roof with high sliding door, right

(6) 721863164
partition / right upper
for high roof

6 721863164A
partition / right upper
for high roof with high sliding door, right

7 N 0441682
fillister hd. bolt / M8X22

8 N 0303991
rivetted cap nut / M8E

9 N 90437401
pop-rivet / A4,8X10

10 N 01024416
hexagonal head bolt / M8X30

11 N 01152520
washer / A8,4X16X1,6

12 N 0111223
domed cap nut / M8RI

13 N 01022012
hexagonal head bolt / M6X30

14 N 01152423
washer / A6,4X12,5X1,6

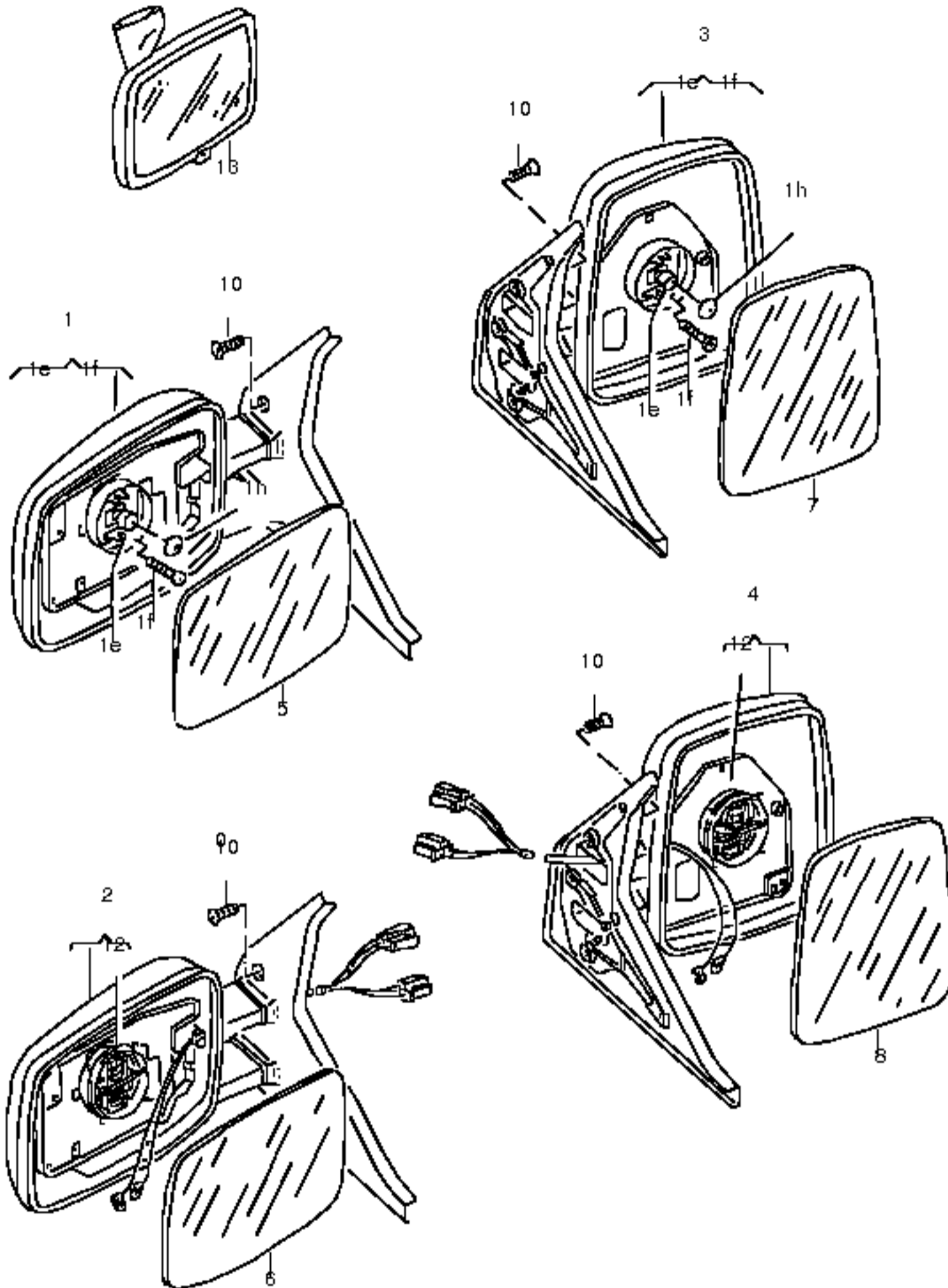
15 N 01100624
hexagonal nut / M6

16 N 0102706
hexagonal head bolt / M8X40

17 N 01152520
washer / A8,4X16X1,6
spacer sleeve / 14X2,5X21MM
no replacement part

19 N 0303991
rivetted cap nut / M8E

20 N 90437401
pop-rivet / A4,8X10



rear view mirror

1 701857507F

rear view mirror housing / left lhd
701857507F 01C satin black

(1) 702857508F

rear view mirror housing / right rhd
702857508F 01C satin black

1E 701858595

ball pin
no replacement part / M3X15

1H 701858597

friction washer

2 701857507H

rear view mirror housing / left lhd
for rear view mirror, electrically operated and heated
701857507H 01C satin black

(2) 702857508H

rear view mirror housing / right rhd
for rear view mirror, electrically operated and heated
702857508H 01C satin black

(3) 702857507F

rear view mirror housing / left rhd
702857507F 01C satin black

3 701857508F

rear view mirror housing / right lhd
701857508F 01C satin black

(4) 702857507H

rear view mirror housing / left rhd
for rear view mirror, electrically operated and heated
702857507H 01C satin black

4 701857508H

rear view mirror housing / right lhd
for rear view mirror, electrically operated and heated
701857508H 01C satin black

5 701857521H

mirror glass (convex) with carrier plate / left lhd

(5) 701857521J

mirror glass (flat) with plate / left lhd

(5) 701857521P

mirror glass (aspherical-wide angle) with plate / left lhd

(5) 701857522H

mirror glass (convex) with carrier plate / right rhd

(5) 701857522J

mirror glass (flat) with plate / right rhd

(5) 702857522

mirror glass (aspherical-wide angle) with plate / right rhd

6 701857521A

mirror glass (flat) with plate / left lhd
for rear view mirror, electrically operated and heated

(6) 701857521B

mirror glass (convex) with carrier plate / left lhd
for rear view mirror, electrically operated and heated

(6) 701857521Q

mirror glass (aspherical-wide angle) with plate / left lhd
for rear view mirror, electrically operated and heated

(6) 701857522A

mirror glass (flat) with plate / right rhd
for rear view mirror, electrically operated and heated

(6) 701857522B

mirror glass (convex) with carrier plate / right rhd
for rear view mirror, electrically operated and heated

(6) 702857522A

mirror glass (aspherical-wide angle) with plate / right rhd
for rear view mirror, electrically operated and heated

(7) 701857521K

mirror glass (convex) with carrier plate / left rhd

(7) 701857522L

mirror glass (convex) with carrier plate / right lhd

(8) 701857521F

mirror glass (convex) with carrier plate / left rhd
for rear view mirror, electrically operated and heated

8 701857522G

mirror glass (convex) with carrier plate / right lhd
for rear view mirror, electrically operated and heated

10 N 0330421

oval head countersunk bolt / M6X18

(10) N 10128201

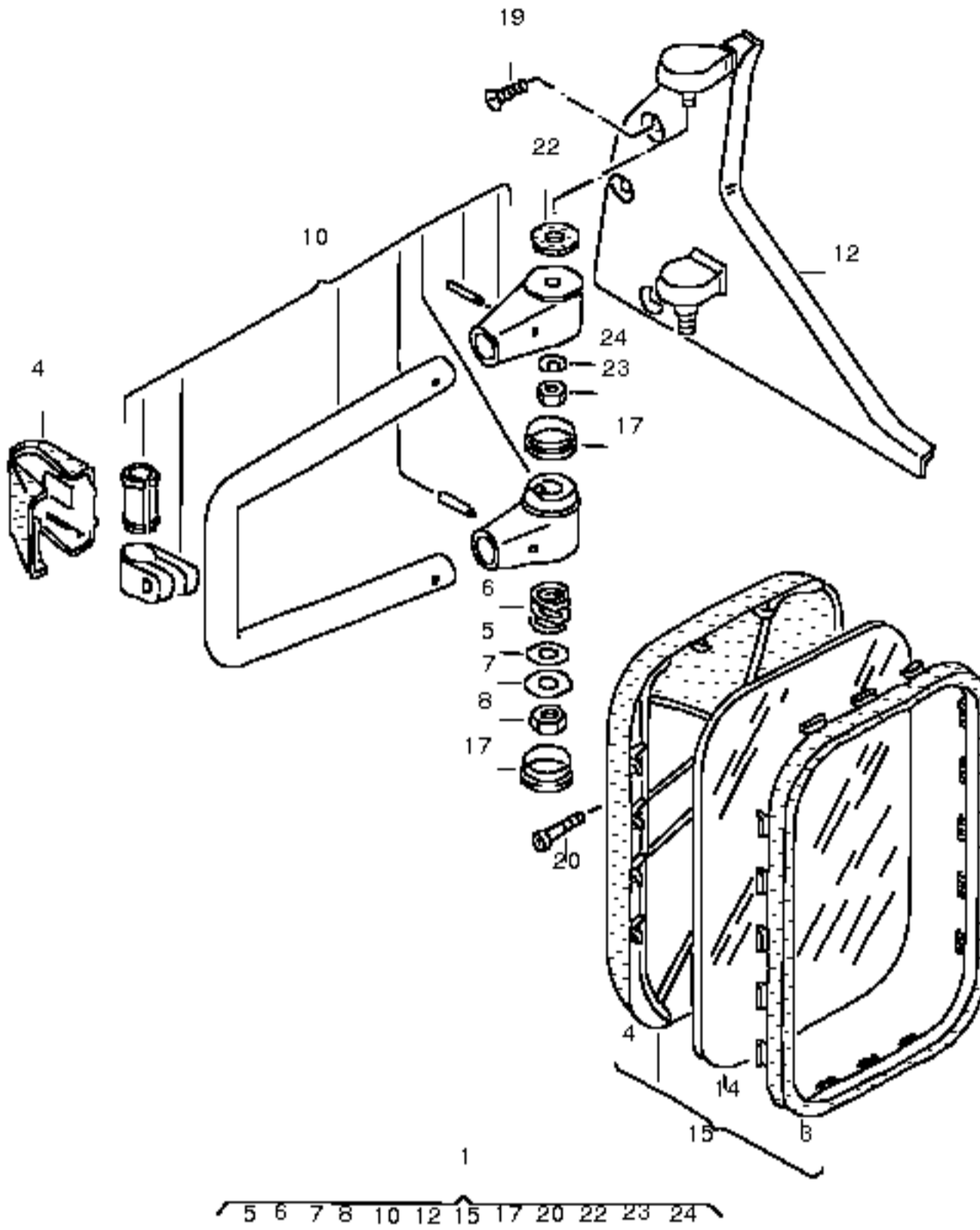
oval head countersunk bolt, self-locking / M6X30

12 357959577A

adjuster with motor for rear view mirror

13 701857511A

rear view mirror, interior anti-dazzle
701857511A 01C satin black



rear view mirror

1 7D0857501
rear view mirror (convex) complete with bracket / left

(1) 7D0857501A
rear view mirror (convex) complete with bracket / left / "I.."

(1) 7D0857502
rear view mirror (convex) complete with bracket / right

(1) 7D0857502A
rear view mirror (convex) complete with bracket / right / "I.."

(1) 7D2857502F
rear view mirror (flat) complete with bracket / right / "AUS"

3 701857516B
trim ring for rear view mirror

(3) 701857516C
trim ring for rear view mirror / right outer

4 701857519
covering

5 701857524
washer

6 701857530
spring

7 281857534
washer

8 N 10080401
hexagonal nut / BM12X1,25

10 701857525
arm / left

(10) 701857526
arm / right

10 701857525
arm / left / "I.."
adapt with workshop equipment

(10) 701857526
arm / right / "I.."
adapt with workshop equipment

12 701857535
basic plate / left

(12) 701857536
basic plate / right

14 7D0857587
mirror glass (convex)

(14) 7D0857587A
mirror glass (flat) / right / "AUS"

15 7D0857547
rear view mirror (convex) / right outer / "AUS"

(15) 7D0857547A
rear view mirror (flat) / right

17 701857573
cap

(19) N 0330421
oval head countersunk bolt / M6X18

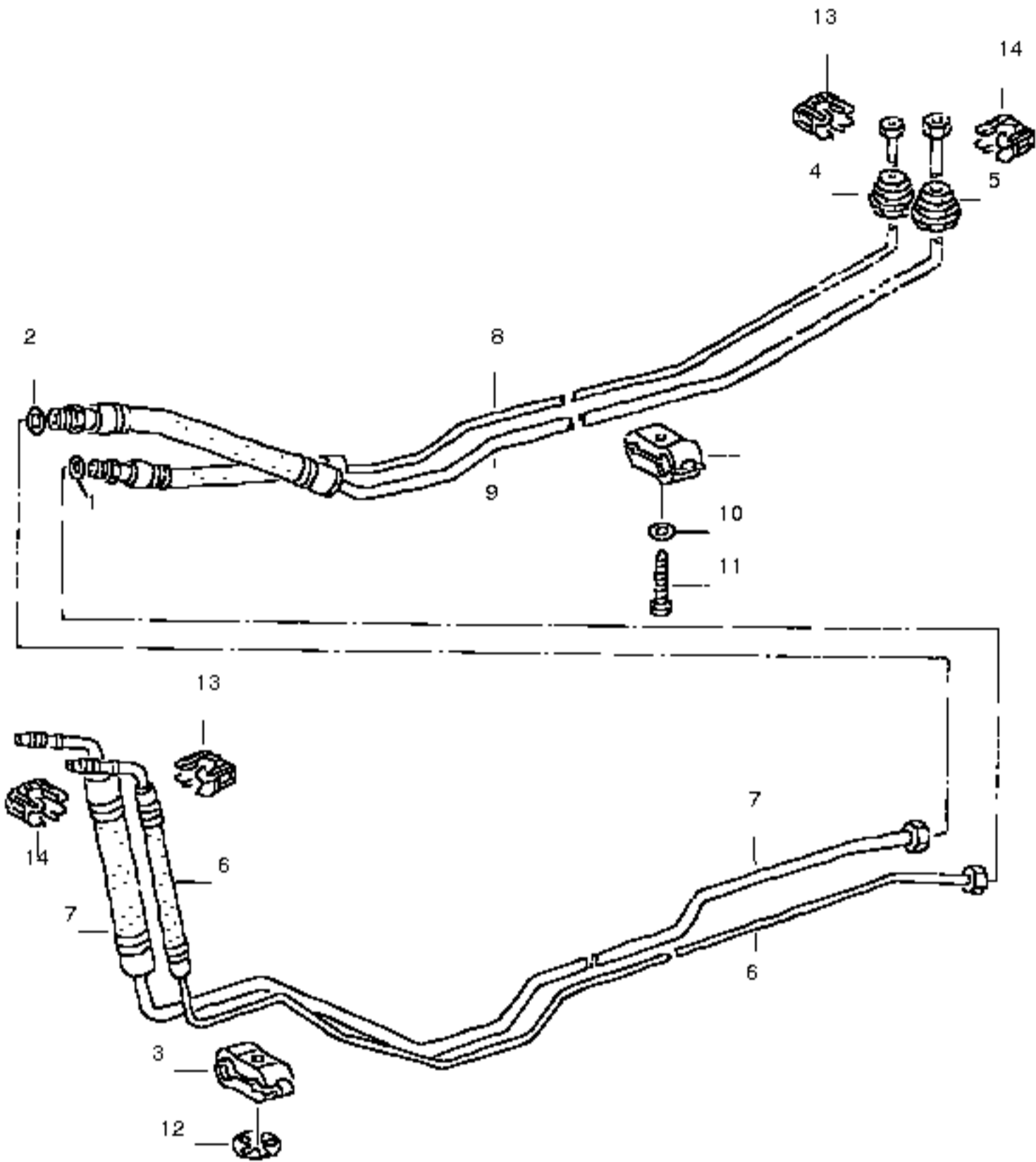
(19) N 10128201
oval head countersunk bolt, self-locking / M6X30

20 N 0147432
allen key head bolt / M6X30

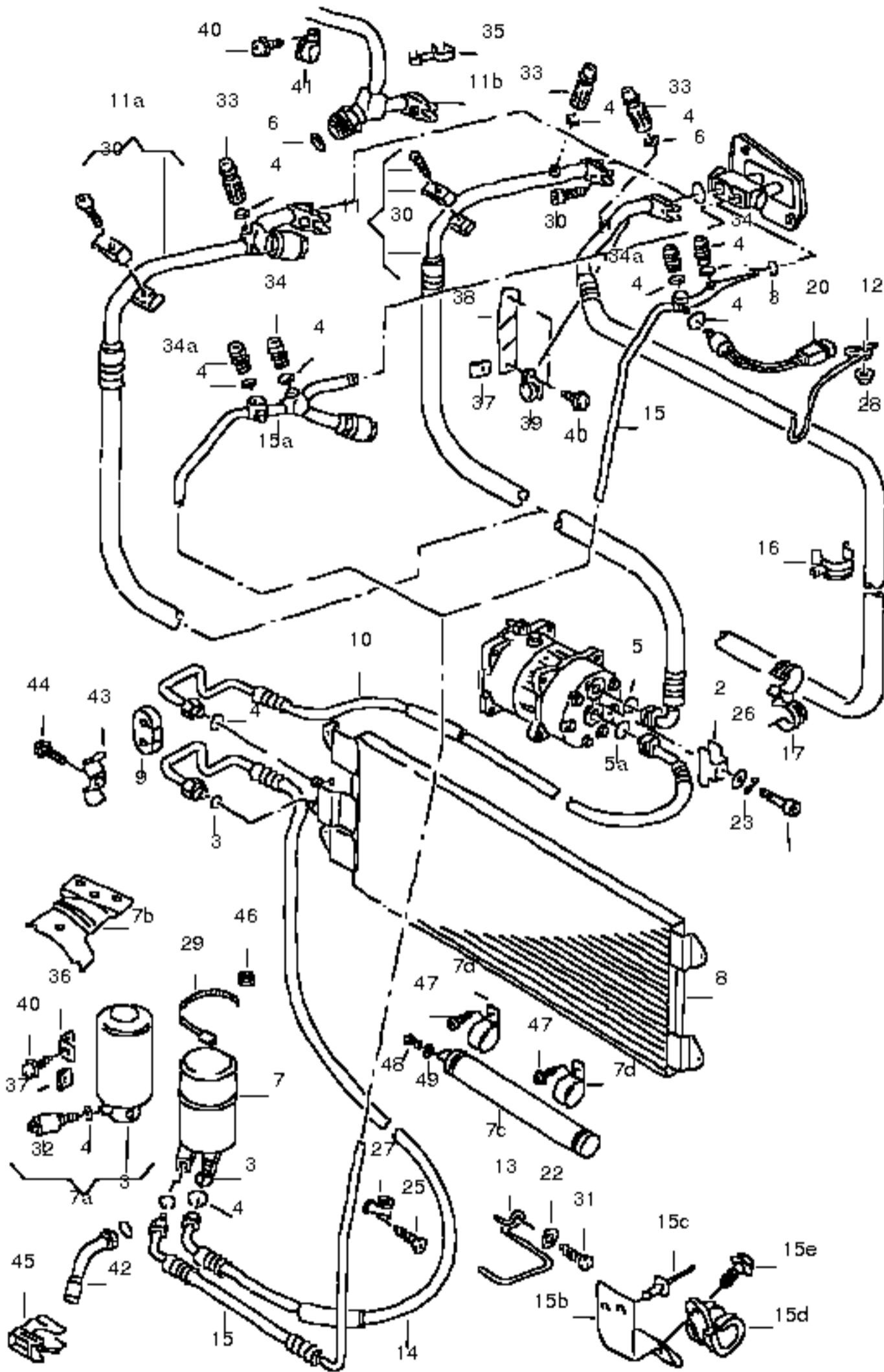
22 701858543
washer

23 N 0111849
hexagon nut, self-locking / M8

24 481837943
concave spring washer



- refrigerant circuit
for vehicles with 2nd evaporator
for refrigerant: / R134A
- 1 8A0260749AK
round seal / 7,6X11,16
- 2 8A0260749AH
round seal / 14X17,65
- 3 701820774A
dual clip
- 4 701820751
grommet / 42X8X33
- 5 701820751A
grommet / 42X12X33
- 6 701820885C
refrigerant pipe
- (6) 702820885
refrigerant pipe / rhd
- 7 701820886C
refrigerant pipe
- (7) 702820886
refrigerant pipe / rhd
- 8 701820887A
refrigerant pipe
for models with wheelbase: / 2920MM
- (8) 721820887A
refrigerant pipe
for models with wheelbase: / 3320MM
- 9 701820888A
refrigerant pipe
for models with wheelbase: / 2920MM
- (9) 721820888A
refrigerant pipe
for models with wheelbase: / 3320MM
- 10 N 0116644
washer / B4,3X12X1
- 11 N 0139383
oval head panel screw / B4,8X38
- 12 N 90335004
clamping washer / 5X30
- 13 701820759A
securing clip / lhd
for vehicles with 2nd evaporator / rhd
- 14 701820759B
securing clip
for vehicles with 2nd evaporator



refrigerant condenser
fluid container with connecting parts
refrigerant condenser / 5 cylinder:
fluid container with connecting parts / ACU,AAB, / "CN ", "GUS":
for refrigerant: / R134A / AEN
/ 4 cylinder: / AAC

1 N 90415102
allen key head bolt (combi) / 10X32

3 8A0260749AK
round seal / 7,6X11,16

4 8A0260749AJ
round seal / 10,8X1,8

5 701820749G
seal / 20,22X3,54 / AAC

5A 701820749G
seal / 20,22X3,54 / AAC

(5) 1H0820749G
round seal / 20,35X1,78 / ACU,AAB,AEN

(5A) 1H0820749G
round seal / 20,35X1,78 / ACU,AAB,AEN

6 1J0820749B
round seal / 17X1,8

7 701820191E
drier / lhd / AAC

(7) 7D1820191
drier / lhd / ACU,AAB,AEN

7A 702820191
drier / rhd / AAC

(7A) 702820191A
drier / rhd / ACU,AAB

7B 702820197
bracket for drier / rhd

8 7D0820413A
refrigerant condenser / AAC,ACU,AAB, / AEN

9 701820418A
gasket

10 701820721K
refrigerant hose / AAC
(refrigerant compressor > refrigerant condenser)

(10) 701820721AB
refrigerant hose / ACU,AEN
(refrigerant compressor > refrigerant condenser)

(10) 7D0820721AC
refrigerant hose / automatic:
(refrigerant compressor > refrigerant condenser) / ACU,AEN

(10) 701820721N
refrigerant hose / AAB
(refrigerant compressor > refrigerant condenser)

11 701820729D
refrigerant hose / AAC
(expansion valve > refrigerant compressor)

(11) 702820729
refrigerant hose / rhd / AAC
(expansion valve > refrigerant compressor)

11A 701820729E
refrigerant hose / AAC
(expansion valve > refrigerant compressor)
for vehicles with 2nd evaporator

- 701820749H
seal / 12,93X1,85
for vehicles with 2nd evaporator

(11A) 702820729M
refrigerant hose / rhd / AAC
(expansion valve > refrigerant compressor)
for vehicles with 2nd evaporator

(11B) 702820750D
refrigerant hose / rhd
y-piece
for vehicles with 2nd evaporator

(11) 701820729AD
refrigerant hose / ACU,AAB,AEN
(expansion valve > refrigerant compressor)

(11) 702820729H
refrigerant hose / rhd / ACU,AAB,AEN
(expansion valve > refrigerant compressor)

(11) 701820729AE
refrigerant hose / ACU,AAB,AEN
(expansion valve > refrigerant compressor)
for vehicles with 2nd evaporator

(11) 702820729L
refrigerant hose / rhd / ACU,AAB,AEN
(expansion valve > refrigerant compressor)
for vehicles with 2nd evaporator

- 701820749H
seal / 12,93X1,85
for vehicles with 2nd evaporator

(12) 701820732E
bracket for refrigerant hose

13 701820732A
bracket for refrigerant hose

14 7D1820739
refrigerant hose / manual- gearbox:
(refrigerant condensor > fluid container)
/ AAC,ACU,AEN

(14) 701820739M
refrigerant hose / automatic:
(refrigerant condensor > fluid container) / ACU,AEN

(14) 7D1820739A
refrigerant hose / AAB
(refrigerant condensor > fluid container)

(14) 702820739
refrigerant hose / rhd / manual gearbox
(refrigerant condensor > fluid container)

(14) 702820739B
refrigerant hose / rhd / automatic
(refrigerant condensor > fluid container)
for vehicles with manually regulated air conditioner

- 701820755C
bracket for hose / 20/20 / automatic:
/ ACU,AEN

(15) 701820730H
refrigerant hose / AAC,ACU,AAB,
(fluid container > expansion valve) / AEN

(15) 702820730B
refrigerant hose / rhd
(fluid container > expansion valve)

(15A) 701820730J
refrigerant hose / AAC,ACU,AAB,
(fluid container > expansion valve) / AEN
for vehicles with 2nd evaporator

- 8A0260749AJ
round seal / 10,8X1,8
for vehicles with 2nd evaporator

(15A) 702820730A
refrigerant hose / rhd
(fluid container > expansion valve)
for vehicles with 2nd evaporator

15B 702820761
bracket for refrigerant pipe / rhd
(fluid container > expansion valve)

15C N 0161943
pop-rivet / A4,8X7,6
/ rhd

15D N 0206471
pipe clip / D1-24X15
/ rhd

15E N 01021226
hexagonal head bolt / M6X12
/ rhd

16 701820755A
bracket for hose

17 357820755
bracket for hose / 27/21

(17) 702820755B
bracket for hose / rhd

20 357959139D
high-low pressure and fan switch

22 N 0115572
washer / 6,4X11X1,6

23 N 0122307
spring washer / B10X21X1

25 N 0139694
oval head panel screw / B4,8X16

(25) N 90356502
oval head self-tapping screw / E4,2X9,5 / AAB

(25) N 0139681
oval head panel screw / ST4,8X13-C / automatic: / ACU,AEN

26 N 0154026
washer / 10,5X25X4

27 N 0206201
pipe clip / D1-13X15

(27) N 0206022
pipe clip / D1-15X15 / AAB

(27) N 0206241
pipe clip / D1-22X15 / automatic: / ACU,AEN

28 N 0230026
hexagon nut, self-locking / AM6

29 N 0245223
pipe clip / LA60-80

30 N 10196102
torx socket fillister hd. bolt / EM6X18

31 N 90098101
oval head panel screw / B6,3X19

32 1H0959139B
high-low pressure and fan switch / rhd

33 357820795H
valve
suction line

- 357820809B
protective cap

34 357820795J
valve
pressure pipe

- 357820809C
protective cap

34A 7D0820855
charge valve
union
high-low pressure and fan switch

35 702820755
bracket for hose / rhd

36 702820762
bracket for refrigerant pipe / rhd
for vehicles with 2nd evaporator

37 N 0154681
snap nut / B6,3X24,3X16
/ rhd

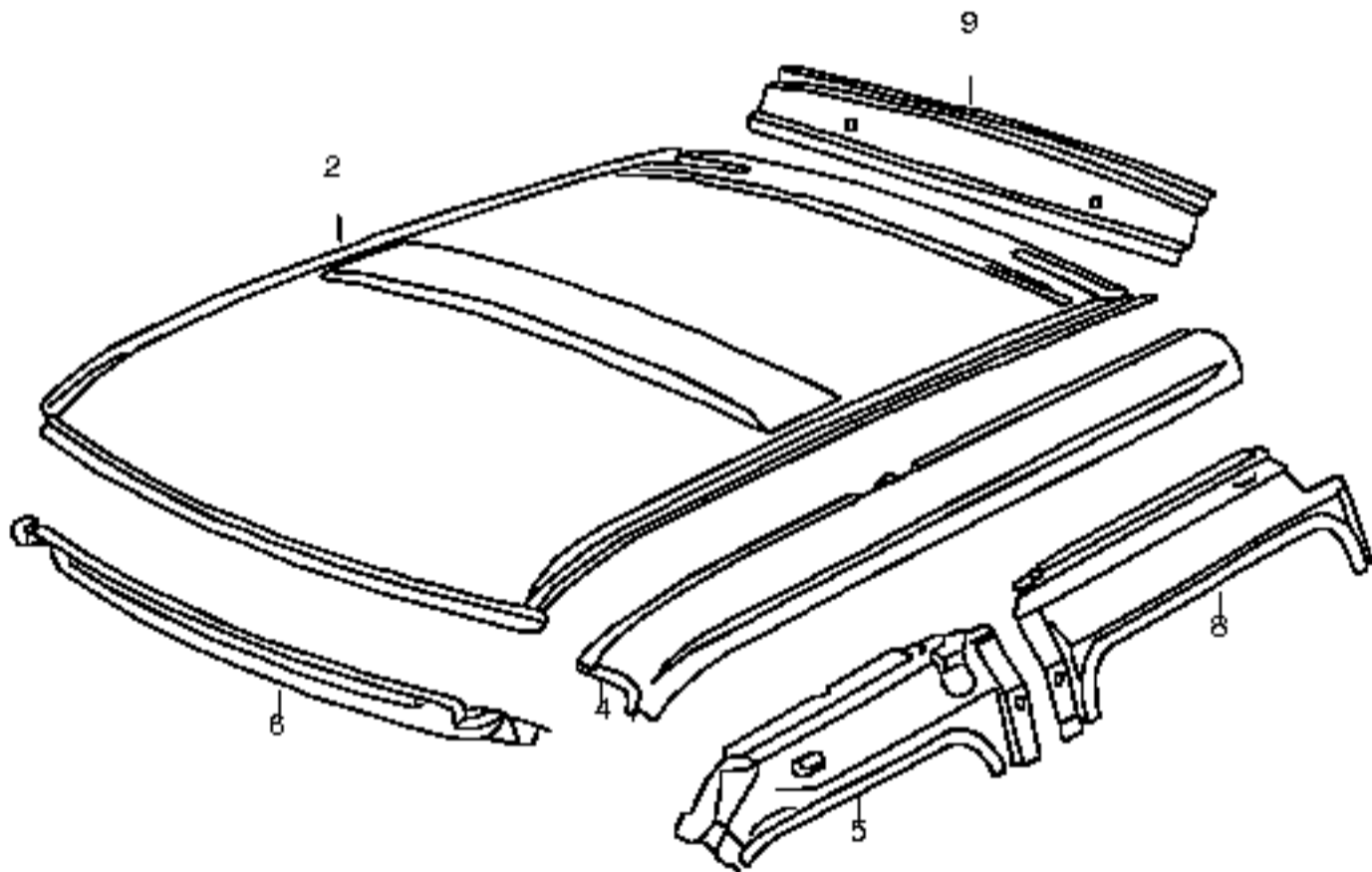
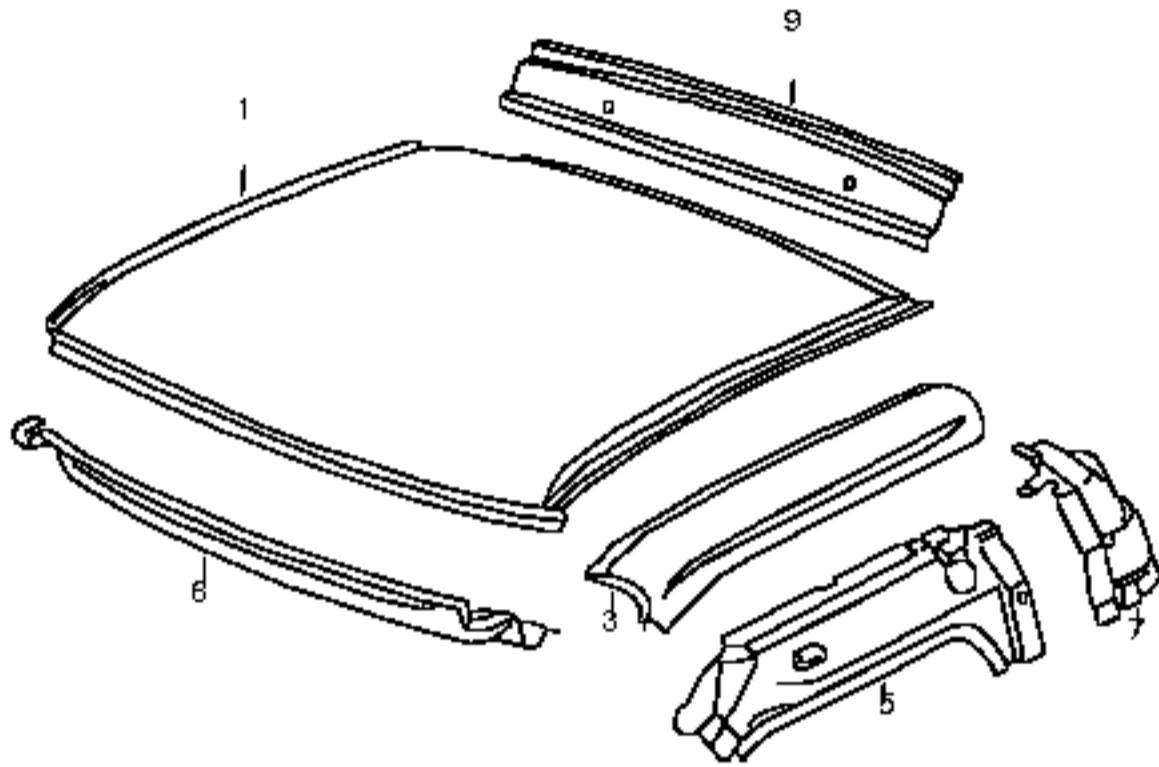
38 702820761A
bracket for refrigerant pipe / rhd

39 N 0206402
pipe clip / D1-18X15
/ rhd

40 N 0139761
oval head panel screw / B6,3X13
/ rhd

41 N 0206262
pipe clip / D1-16X15
/ rhd

42 702820740
refrigerant pipe / rhd
drier



roof / pick-up
/ double cab

1 707817111
roof for pick-up

2 729817021
roof for double cab

3 707817219
roof frame / left
outer panel

(3) 707817220
roof frame / right
outer panel

4 729817219
roof frame / left
outer panel

(4) 729817220
roof frame / right
outer panel

5 701817517A
roof frame / left front
adapt with workshop equipment / pick-up

(5) 701817518A
roof frame / right front
adapt with workshop equipment / pick-up

6 701817519A
roof frame / front center

7 707817557
roof frame
filler plate / left rear

(7) 707817558
roof frame
filler plate / right rear

8 729817557A
roof frame / left rear

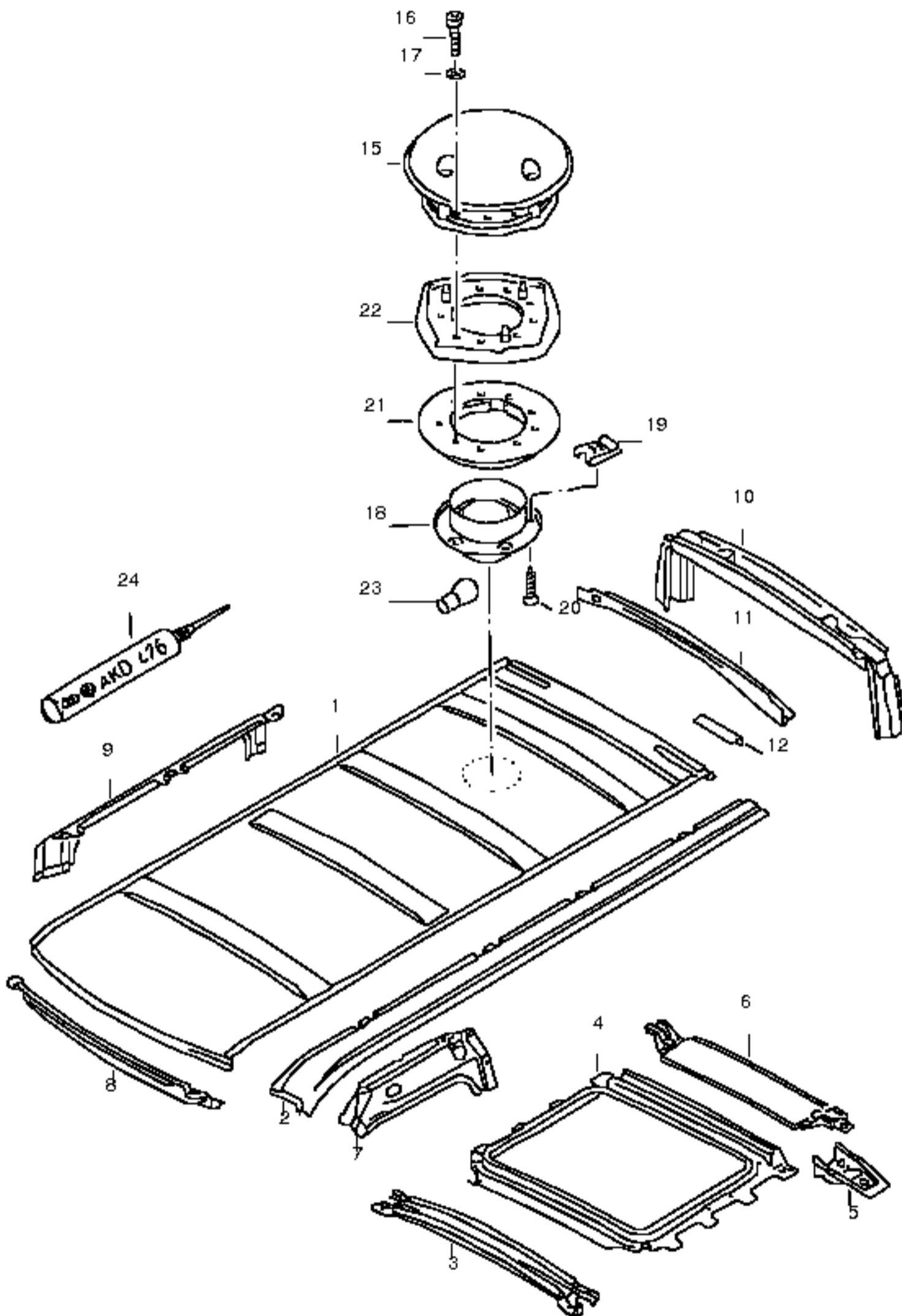
(8) 729817558A
roof frame / right rear

9 707817575
roof frame / rear

- N 90175701
weld pin 'order unit 100' / 5X12

- AKD476KD505
polyurethane- adhesive sealant / 300ML
adhesives and sealing compound

- 357971908A
plug / 49,5



roof / bus
roof ventilador / kombi van

1 701817021G
roof
for models with wheelbase: / 2929MM
also use: / 701 817 353
/ 703 817 353 / ambulance
see workshop manual

(1) 721817021J
roof
for models with wheelbase: / 3320MM
also use: / 701 817 353
/ 703 817 353 / ambulance
see workshop manual
roof
for models with electric sliding sunroof
drivers cab
cut out aperture for sliding roof
roof
for models with electric sliding sunroof
(passenger compartment)
(unsuited for serv installat.)
please inquire when ordering

2 701817219
roof frame-outer panel / left
for models with wheelbase: / 2920MM

(2) 721817219
roof frame-outer panel / left
for models with wheelbase: / 3320MM

(2) 701817220
roof frame-outer panel / right

(2) 721817220
roof frame-outer panel / right
for models with wheelbase: / 3320MM

3 701817353
roof bow

(3) 703817353
roof bow / ambulance

(4) 701817401
frame
for vehicles with glass tilting roof panel
drivers cab / PR-3EB
for passenger compartement / PR-3JB
frame
for vehicles with glass sliding roof / electric / PR-3JG
for passenger compartement
(not for service installation)
retainer
no replacement part

7 701817517A
roof frame / left front

(7) 701817518A
roof frame / right front

8 701817519A
roof frame / front center
roof reinforcement / KDW-HANNOVER / "D..":
/ POLIZEI

(9) 701817557C
roof frame / left side
(sliding door, left)

9 701817558D
roof frame / right side
(sliding door, right)
adapt with workshop equipment / >>70-T-060 000

10 701817565C
roof frame / rear
for vehicles with tailgate/boot lid panel

(10) 701817565B
roof frame / rear
for vehicles with wing doors

(11) 701817695B
filler plate / rear
for vehicles with tailgate / boot lid

11 701817695C
filler plate / rear
for vehicles with wing doors

15 281819973A
roof ventilator with motor
use if required: / 000 979 129

- 271959117A
cover cap

- 000979129
1 set: single wires each with 2 contacts, qty. 5 per bag 'order unit 5' / 1,0

16 N 0141453
fillister hd. bolt / M6X30

17 N 01152423
washer / A6,4X12,5X1,6

18 253817547A
air duct trim with lighting for ventilation motor

19 N 0154281
snap nut / B2,9X11,8X8,1

20 N 0140831
oval hd. csk. self-tapp. screw / ST2,9X16-C

21 721817651
frame for roof ventilator

22 701817687
gasket

23 N 0177312
bulb / R12V18W

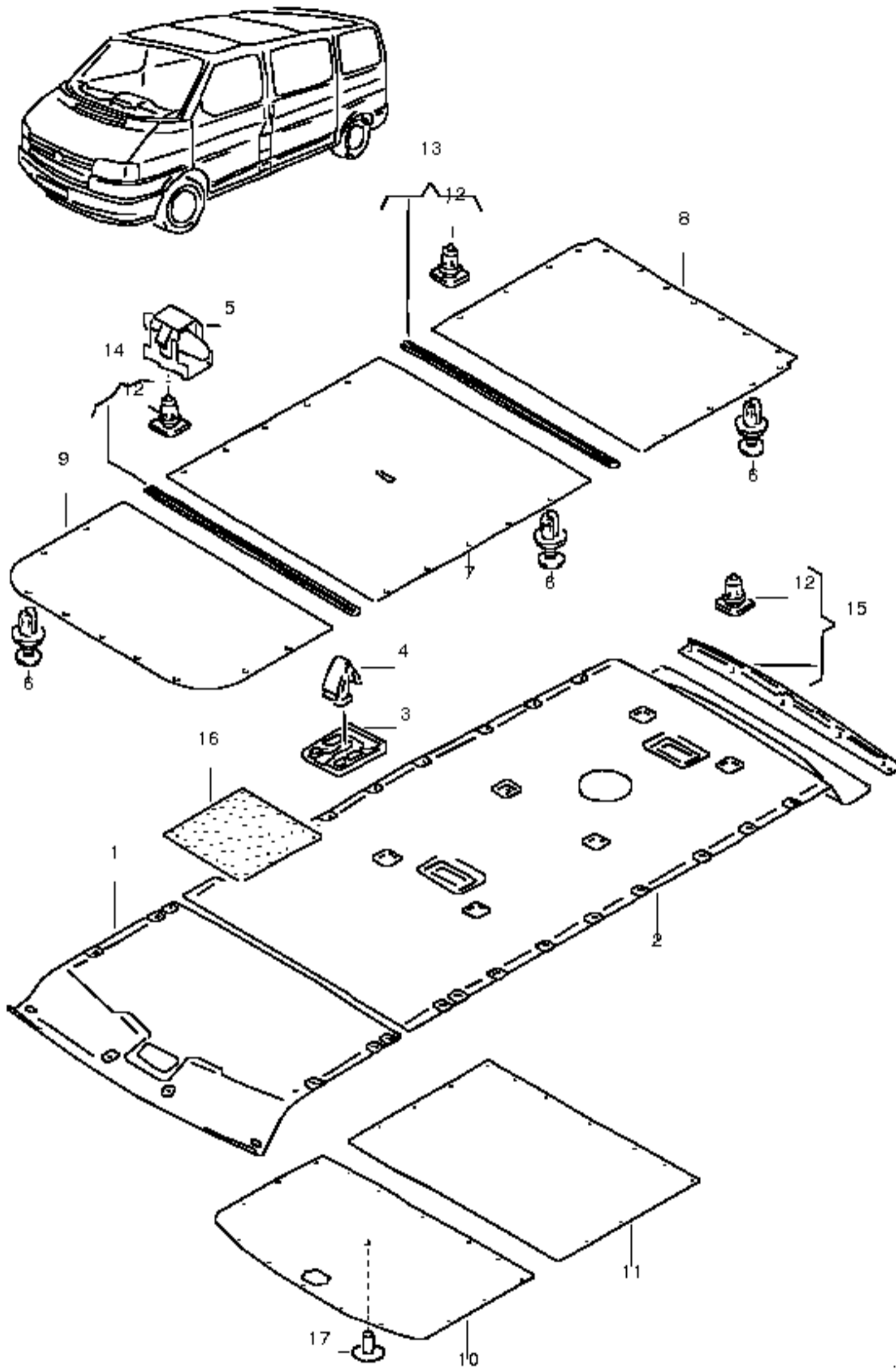
24 AKD476KD505
polyurethane- adhesive sealant / 300ML

- 357971908A
plug / 49,5

- 191971907
grommet / 46/39
roof frame / right rear

- 703817131
reinforcement / ambulance
for rotating warning light

- 703817437
retaining bracket / rear
for moulded headlining
for vehicles with glass sliding roof
for models with wheelbase: / 3320MM



roof lining

(1) 7D0867501

moulded headlining / front
7D0867501 S07 sahara

(1) 705867501A

moulded headlining / front
cloth
705867501A 6YW grey

(1) 705867501B

moulded headlining / front
for vehicles with glass tilting roof panel
705867501B 6YW grey
705867501B S07 sahara

- N 10307401

clips / A13X8,3

(1) 707867501

moulded headlining / front / pick-up
707867501 S07 sahara
707867501 6YW grey

(2) 703867503

moulded headl. (leatherette) / rear / ambulance
for models with wheelbase: / 2920MM
703867503 P27 beige

(2) 705867503A

moulded headlining / rear
/ cloth
for models with wheelbase: / 2920MM
705867503A 6YW grey
705867503A S07 sahara

(2) 7D1867503A

moulded headlining / rear
for models with glass sliding sunroof
for models with wheelbase: / 2920MM
7D1867503A S07 sahara

(2) 705867503C

moulded headlining / rear
for vehicles with glass sliding roof
for models with wheelbase: / 2920MM
705867503C 6YW grey
705867503C S07 sahara

(2) 7D1867499

moulded headlining / rear
for vehicles with 2nd evaporator / air condit.
for vehicles with passenger comp. ventilation
for models with wheelbase: / 2920MM
7D1867499 S07 sahara

(2) 705867499B

moulded headlining / rear
for vehicles with 2nd evaporator
/ air condit.
for vehicles with passenger comp. ventilation
for models with wheelbase: / 2920MM
705867499B 6YW grey

(2) 7D3867503

moulded headlining / rear
/ cloth
for models with wheelbase: / 3320MM
7D3867503 S07 sahara
7D3867503 X59 pearl grey

(2) 725867503C

moulded headlining / rear
for vehicles with glass sliding roof
for models with wheelbase: / 3320MM
725867503C S07 sahara
725867503C 6YW grey

3 705868561

retainer

4 705868563A

clip

(4) 705868564

clip

5 701868557

clips

6 701867299

clip
701867299 1YX flint grey
701867299 9XK light grey
701867299 9UW sahara

7 701867521

headlining (hardboard) / center
701867521 9ZW flint grey

8 701867527

headlining (hardboard) / rear
/ 915X1190
for models with wheelbase: / 2920MM
701867527 9ZW flint grey

(8) 721867527A

headlining (hardboard) / rear
/ 1315X1190
for models with wheelbase: / 3320MM
721867527A 9ZW flint grey

11 729867565

headlining (hardboard) / rear / double cab
729867565 C09 grey
729867565 9ZW flint grey

12 701867549

clip

13 7D0868551

cover strip for roof lining / center
7D0868551 1YX flint grey

14 705868551

cover strip for roof lining / front
705868551 4YX grey
705868551 5YX beige

15 705867625A

roof frame trim panel / rear
for vehicles with tailgate/boot lid panel
705867625A 1XN sahara
705867625A 2XL neptune blue
705867625A 6XH light grey

(15) 705867625C

roof frame trim panel / rear
for vehicles with wing doors
705867625C 2XL neptune blue
705867625C 6XH light grey
705867625C 6PE sahara

(15) 705867625E

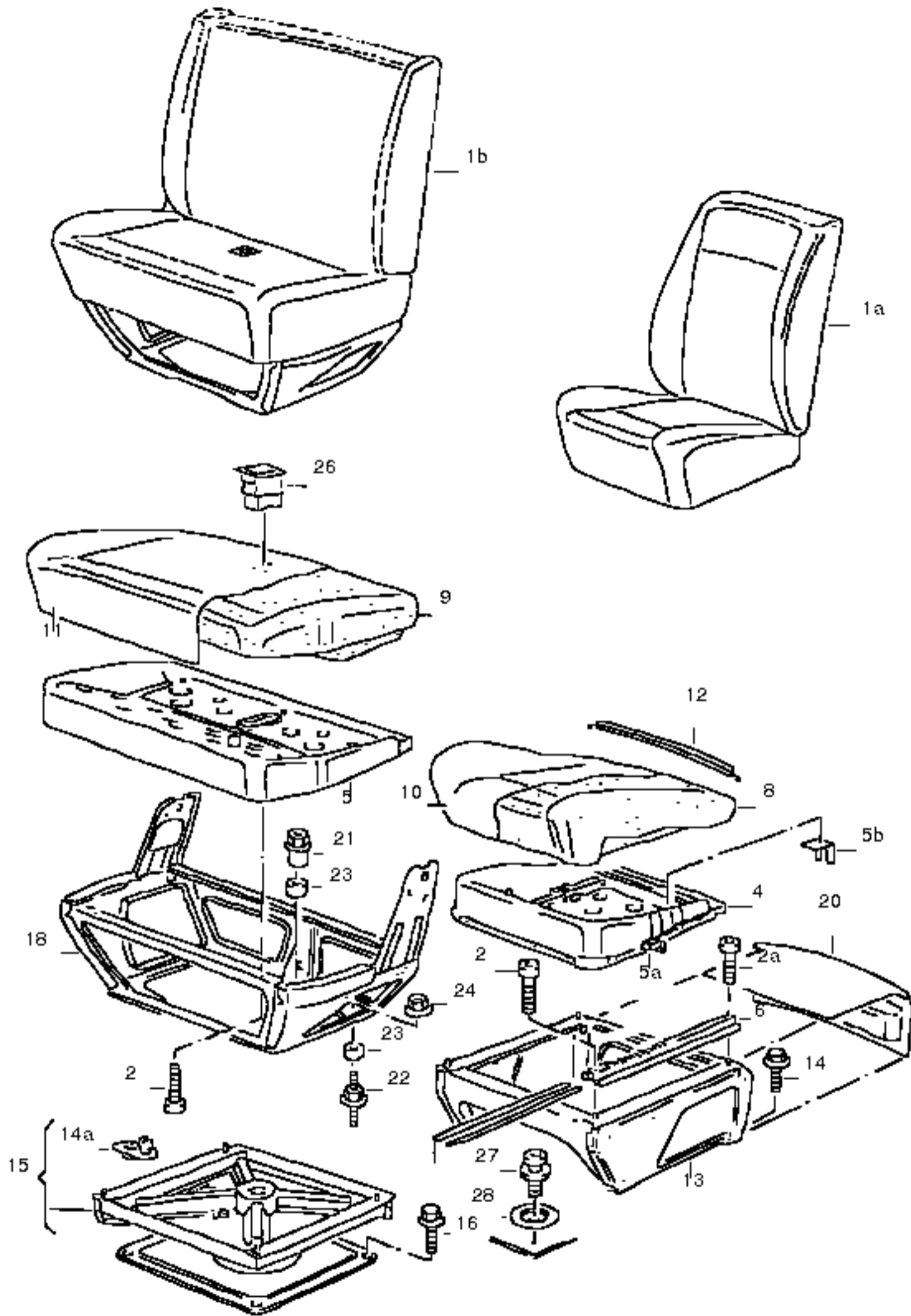
roof frame trim panel / rear
for vehicles with tailgate/boot lid panel
for vehicles with air condit.
for vehicles with 2nd evaporator
705867625E 1XN sahara
705867625E 2XL neptune blue
705867625E 6XH light grey

(15) 705867625G

roof frame trim panel / rear
for vehicles with wing doors
for vehicles with air condit.
for vehicles with 2nd evaporator
705867625G 1XN sahara
705867625G 2XL neptune blue
705867625G 6XH light grey

16 323863950

sound absorber (self-adhesive) 'order unit 6' / 550X250X2



seat / front

1A 701881027C

seat, complete with backrest and lumbar support / left
(one person)
(prepared for armrest)
F >> 70-T-045 000*

(1A) 701881027D

seat, complete with backrest and lumbar support / left
(swivelling seat)
(prepared for armrest)
F >> 70-T-045 000*

(1A) 701881028D

seat, complete with backrest and lumbar support / right
(one person)
(prepared for armrest)
F >> 70-T-045 000*

(1A) 701881028E

seat, complete with backrest and lumbar support / right
(swivelling seat)
(prepared for armrest)
F >> 70-T-045 000*

1B -----

no longer available
seat and backrest complete (without cover)

1 701881213

glide piece / 390MM

(1) 701881213

glide piece
(swivelling seat)
shorten to: / 360MM

2 N 0147804

cheese head bolt / M6X15

2A N 90612001

cheese head bolt / M6X14

4 701881303A

seat well

5 701881304C

seat well
for dual passenger seat

5A 251881235

locking rod with grip / left

(5A) 251881236

locking rod with grip / right

5B 701881243

leg spring / left

(5B) 701881244

leg spring / right

6 701881345

slide rail

(6) 701881345A

slide rail
(swivelling seat)

(8) 701881375C

padding for seat

(8) 701881375A

padding for seat
(swivelling seat)

9 701881376A

padding for seat / 2 seater

10 701881405

seat cover (leatherette) / PR-N0C
701881405 AHA light grey / -LA,MD
701881405 AHB sahara / -LM,ME
701881405 9XW sahara / -NA

(10) 701881405B

seat cover (leatherette) / PR-N0C
(swivelling seat)
701881405B AHA light grey / -LA,MD
701881405B AHB sahara / -LM,ME
701881405B 9XW sahara / -NA

(10) 701881405R

seat cover (cloth) / PR-N0A
701881405R DNB beaver/light grey / -UA,WE
701881405R DNC beaver/sahara / -UD,WH,ZZ

(10) 701881405S

seat cover (cloth) / PR-N0A
(swivelling seat)
701881405S DNC beaver/sahara / -UD,WH,ZZ

(10) 703881405M

seat cover (cloth) / MULTIVAN
/ ALL-STAR
/ PR-E6X
703881405M DGW light grey / -02

(10) 705881405A

seat cover (cloth) / PR-N0F
705881405A AGV neptune blue / -EF

(10) 705881405C

seat cover (cloth) / PR-N0F
(swivelling seat)
705881405C AGW sahara / -ET,BF

11 701881406

seat cover (leatherette) / PR-N0C
2 seater
701881406 AHB sahara / -LM,ME
701881406 9XW sahara / -NA

(11) 701881406L

seat cover (leatherette)
2 seater
701881406L AHA light grey / -LA,MD
701881406L AHB sahara / -LM,ME

(11) 701881406K

seat cover (cloth) / PR-N0A
2 seater
701881406K DNB beaver/light grey / -UA,WE
701881406K DNC beaver/sahara / -UD,WH,ZZ

12 N 90162606

upholstery wire / 2,8X368

(12) 535885483B

upholstery wire / 2,8X520

(12) 443885717

upholstery wire / 2X480

13 701881677L

seat frame / left
bracket - battery
701881677L 01A black

(13) 701881678J

seat frame / right
701881678J 01A black

14 N 0195341

hexagonal head bolt / M10X28

(15) 701881677D

seat frame / left
(swivelling seat)
701881677D 01A black

(15) 701881677J

seat frame / left
(swivelling seat)
701881677J 01A black

- 703883069

clip

- 701881277

limit stop / left
(swivelling seat)

- 701881278

limit stop / right
(swivelling seat)

- N 90449701

fitted bolt / M6X52

16 N 10234204

hexagon head bolt c/w shoulder / M10X40

18 701881681A

seat frame / 2 seater
701881681A 01A black

20 701881693

lining
battery

21 702881699

shouldered nut

22 701881700

double stud with hexagon drive / M10X20/M10X23

23 803019825B

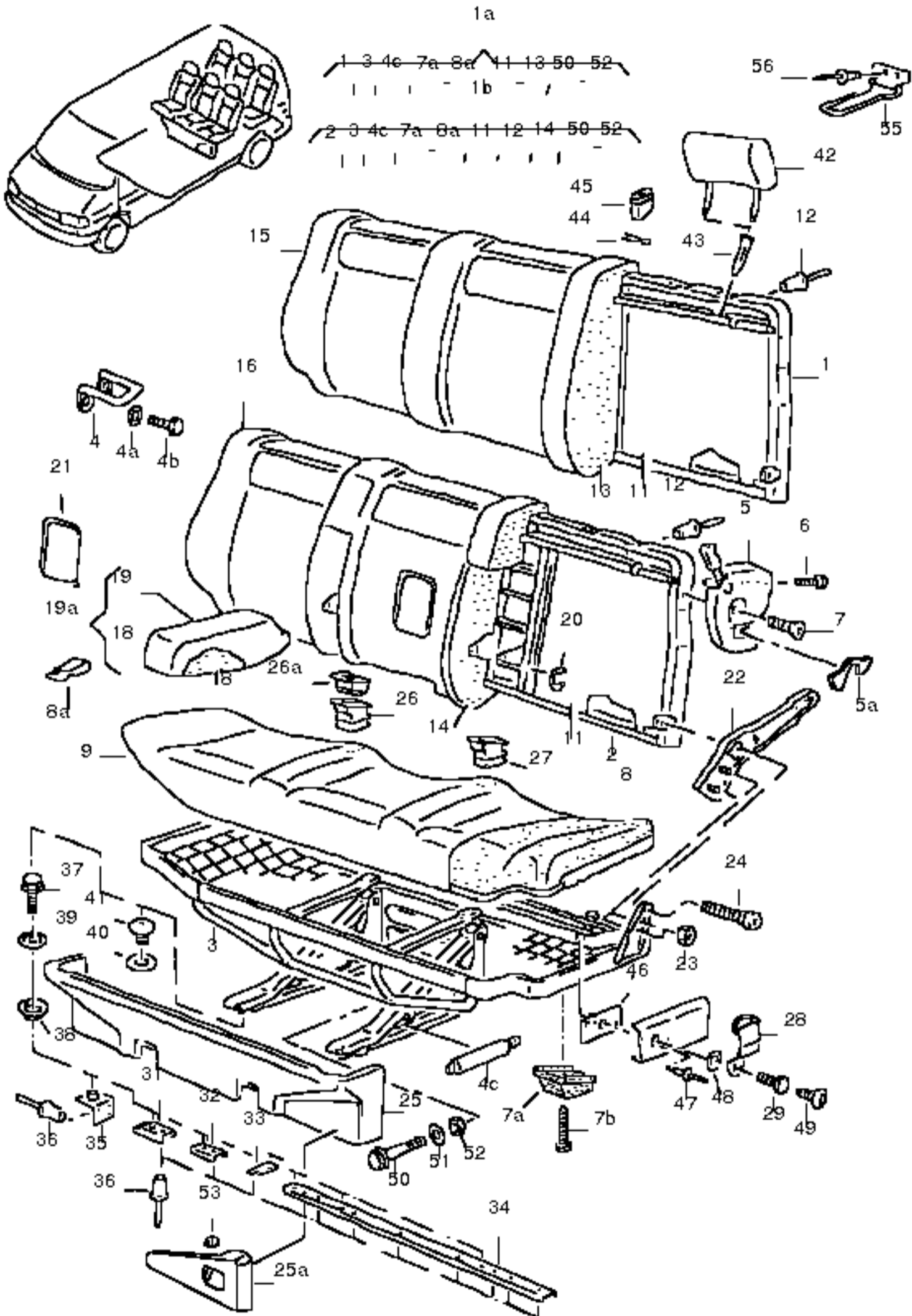
spacer sleeve

24 N 0230047

shouldered hex. nut, self-locking / AM10

26 701857827A

guide frame / left/right
701857827A 01C satin black



seat and backrest / rear

(1A) 703885027
 seat and backrest complete (without cover) / rear / PR-OE1
 / 2. seat bench
 3 seater
 also use: / POS.9,15

(1B) 705885027
 seat and backrest complete (without cover) / rear / CARAVELLE GL
 / 2. seat bench / PR-OE1
 3 seater
 also use: / POS.9,16,18,19

(1A) 723885027
 seat and backrest complete (without cover) / rear
 / 3. seat bench
 for vehicles with extended wheelbase
 3 seater
 also use: / POS.9,15

1B 725885027
 seat and backrest complete (without cover) / rear / CARAVELLE GL
 / 3. seat bench
 for vehicles with extended wheelbase
 3 seater
 also use: / POS.9,16,18,19

1 703885045A
 backrest frame / 2. seat bench / PR-OE1

(1) 723885045
 backrest frame / 3. seat bench
 for vehicles with extended wheelbase

2 705885045A
 backrest frame / 2. seat bench
 for models with center armrest

(2) 725885045
 backrest frame / 3. seat bench
 for models with center armrest
 for vehicles with extended wheelbase

(3) 7D0885063C
 seat frame / 2. seat bench
 7D0885063C 01A black

(3) 7D3885063B
 seat frame
 for vehicles with extended wheelbase
 also use: / 703 858 773
 for models with child's seat
 7D3885063B 01A black

4 703885197
 locking bracket

(4) 723885197
 locking bracket
 for vehicle with fold-down seat backrest

4A N 01152520
 washer / A8,4X16X1,6

4B N 0102935
 hexagonal head bolt / M8X16

(4C) 723885065
 gas-filled strut / 3. seat bench
 for vehicles with extended wheelbase

5 7D0885297
 interlock / left
 7D0885297 01C satin black

(5) 703885300
 interlock / right
 703885300 01C satin black

- 70388531B
 stop buffer

6 N 0139681
 oval head panel screw / ST4,8X13-C

7 N 0214163
 oval head countersunk bolt / M8X32

7A 703885331
 stop buffer

7B N 0139481
 oval head panel screw / B5,5X25

8 705885375A
 padding for seat
 8A 703885447 clips

(9) 703885405
 seat cover (leatherette)
 703885405 AHA light grey / -LA,MD
 703885405 AHB sahara / -LM,ME

(9) 703885405L
 seat cover (cloth)
 703885405L DNB beaver/light grey / -UA,WE
 703885405L DNC beaver/sahara / -UD,WH

(9) 703885405K
 seat cover (cloth/leatherette)
 703885405K CEF dark grey / -BR

9 705885405A
 seat cover (cloth) / CARAVELLE GL
 705885405A AGU light grey / -ES

11 703885755
 rear panel for backrest

12 N 0161992
 pop-rivet / A3,2X10X8

13 705885775
 padding for backrest / 2. seat bench

(13) 725885775
 padding for backrest / 3. seat bench
 for vehicles with extended wheelbase

14 705885775A
 padding for backrest / 2. seat bench
 for models with center armrest

(14) 725885775A
 padding for backrest / 3. seat bench
 for models with center armrest
 for vehicles with extended wheelbase

15 703885805
 backrest cover (leatherette) / 2. seat bench
 703885805 AHB sahara / -LM,ME

(15) 723885805
 backrest cover (leatherette) / 3. seat bench
 for vehicles with extended wheelbase
 723885805 AHB sahara / -LM,ME

(15) 703885805AB
 backrest cover (cloth)
 703885805ABDNC beaver/sahara / -UD,WH

(15) 723885805H
 backrest cover (cloth)
 for vehicles with extended wheelbase
 723885805H DNB beaver/light grey / -UA,WE
 723885805H DNC beaver/sahara / -UD,WH

(15) 723885805G
 backrest cover (cloth/leatherette) / 3. seat bench
 for vehicles with extended wheelbase
 723885805G CEF dark grey / -BR

16 705885805D
 backrest cover (cloth) / 2. seat bench / CARAVELLE GL
 705885805D ELM light grey / -ES
 705885805D ELN sahara / -ET

(16) 725885805D
 backrest cover (cloth) / 3. seat bench / CARAVELLE GL
 for vehicles with extended wheelbase
 725885805D ELM light grey / -ES
 725885805D ELN sahara / -ET
 725885805D ELP neptune blue / -EF

18 705883203
 packing for armrest

19 705883263
 armrest cover (cloth) / CARAVELLE GL
 705883263 AGU light grey / -ES
 705883263 AGV neptune blue / -EF
 705883263 AGW sahara / -ET

20 N 0124362
 lock washer / 6

21 705883499
 covering / CARAVELLE GL
 705883499 3KX neptune blue / -EF
 705883499 9UX sahara / -ET
 705883499 9XK light grey / -ES
 see illustration: / 868-00
 / POS 5

23 N 01100830
 hexagonal nut / M8

24 N 90022801
 allen key head bolt / M10X12

25 705885895
 trim panel for seat frame
 705885895 A29 light grey / -AR,MD,ES
 705885895 P41 sahara / -AS,ME,ET
 705885895 7JY neptune blue / -EF

26 703885947A
 guide frame
 703885947A 01C satin black

26A 703885948
 insert
 703885948 01C satin black

27 701881947
 guide frame
 701881947 01C satin black

28 445887267B
 strap for child's seat

29 N 98910801
 hexagonal head bolt / 5/16"-18UNFX28

31 703883281
 retaining plate

32 703883281A
 retaining plate

33 703883281B
 retaining plate

34 703883281C
 attachment strip

35 703883281D
 retaining plate
 list of uses
 see illustration: / 885-30

36 N 90478601
 pop-rivet / A4,8X11

37 N 90322601
 hexagonal head bolt / M10X27

(37) 703886169B
 shouldered bolt / M8X49

38 703883298A
 damping ring

39 N 90566201
 washer / 11X25X1

40 111857779
 gasket / 28X10,4X1,5

41 253857785
 plug / M10
 253857785 01C satin black
 head restraints
 see illustration: / 881-50

(43) 1H0881939
 guide
 1H0881939 B41 satin black

43 357881939A
 guide with push button for adjustable head restraint / CARAVELLE GL

357881939A 01C
 satin black

44 703885635
 clip for guide

45 703885639
 handle
 703885639 01C satin black / -WL

46 703858773
 retaining plate for seat belt mounting

47 N 0161992
 pop-rivet / A3,2X10X8

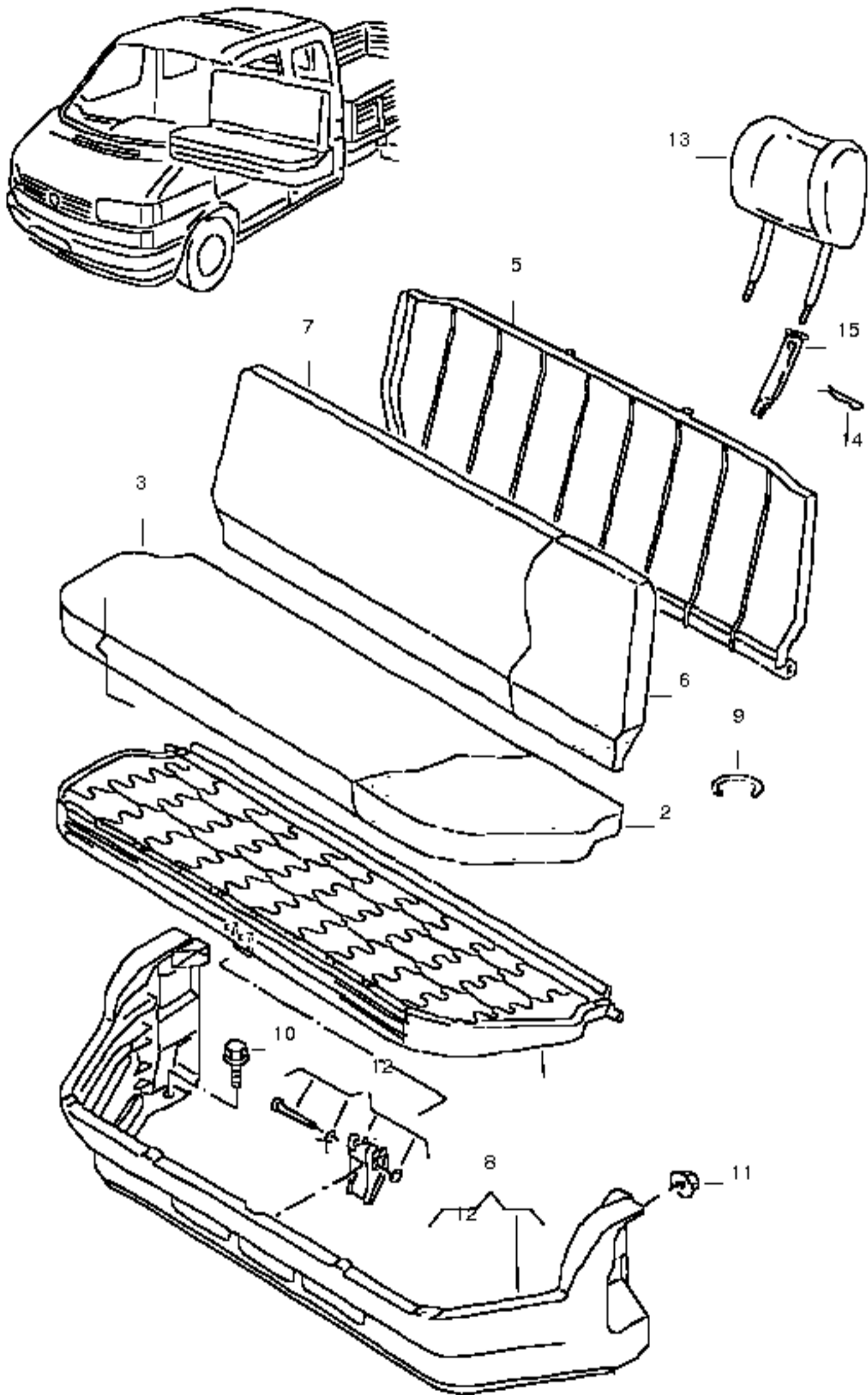
48 N 01152520
 washer / A8,4X16X1,6

49 245829419A
 plug

50 703885726
 shouldered bolt

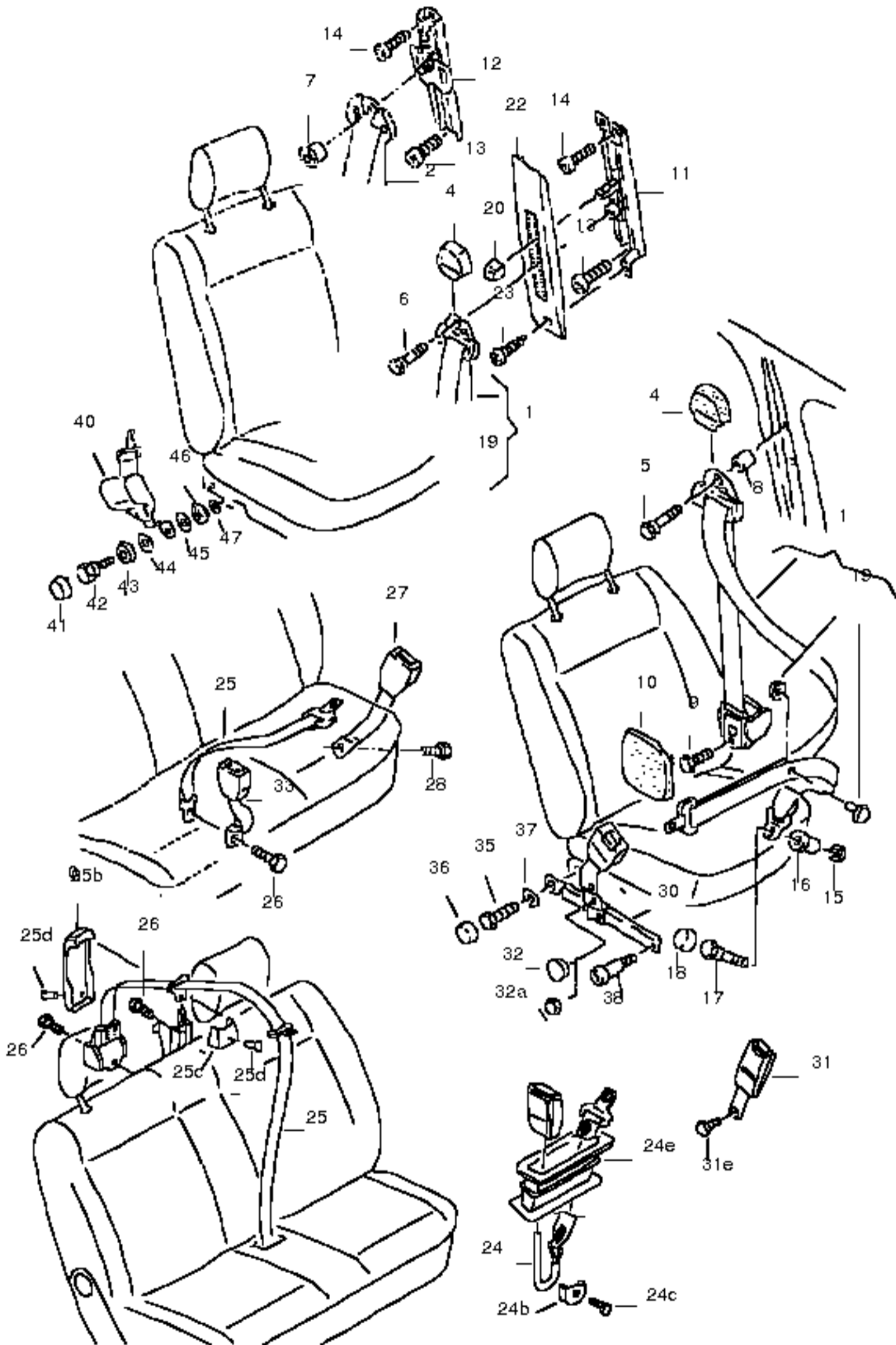
51 N 01155811
 washer / 8,4X15X1,6

52 N 01100830
 hexagonal nut / M8



seat and backrest in passenger compartment double cab

- 1 729885305
frame for rear seat
- 2 729885375
padding for seat
- (3) 729885405C
seat cover (cloth)
729885405C DNB beaver/light grey / -UA
729885405C DNC beaver/sahara / -UD
- (3) 729885405A
seat cover (leatherette)
729885405A AHB sahara / -LM
- (3) 729885405B
seat cover (cloth/leatherette)
729885405B CEF light grey / -BR
- (5) 729885705A
backrest frame
- 6 729885775
padding for backrest
- (7) 729885805C
backrest cover (cloth)
729885805C DNB beaver/light grey / -UA
- (7) 729885805A
backrest cover (leatherette)
729885805A AHA light grey / -LA
729885805A AHB sahara / -LM
- 8 729886921
seat box
729886921 01C satin black
- 9 N 0152611
clips / 20X1,8
- 10 N 0197002
hexagon head bolt c/w shoulder / M8X30
- 11 N 90175203
hexagon nut, shouldered / M6
- 12 729886099
repair kit for seat
- 13 729885901
head restraint
729885901 9UW sahara / -UD,LM
729885901 9XK light grey / -UA,LA,BR
- 14 443881743
clip for guide
- 15 811881939
guide for head restraint, adjustable
811881939 01C satin black



seat belts in cab

(1) 701857805B
three-point seat belt
701857805B 01C satin black

(1) 701857805A
three-point seat belt
belt lengthened by: / 300MM
701857805A 01C satin black

(2) 705857805B
three-point seat belt with warning contact / "J.."
for models with swivel seat
(drivers side)
705857805B 01C satin black

(2) 705857805C
three-point seat belt for vehicles with b-pillar trim
705857805C 01C satin black

(2) 705857805A
three-point seat belt
belt lengthened by: / 300MM
for vehicles with b-pillar trim
705857805A 01C satin black

4 357857719
cover cap
357857719 01C satin black

5 N 98910201
fitted bolt / 7/16"X20UNFX
/ 51,4

6 7D0857757
hexagonal head bolt / 7/16"-20UNF
/ 34,5

7 N 90298802
hex. nut / M10X1,25

8 705857790
spacer bush / 22MM
shorten to: / 19MM

9 111857799
hexagonal head bolt / 7/16"X25

10 701857827
cover cap / left
701857827 01C satin black

(10) 701857828
cover cap / right
701857828 01C satin black

11 7D0857819
adjusting mechanism

12 7D0857833
adjusting mechanism
for vehicles with b-pillar trim
also use: / 7D0 857 757

- 7D0857757
hexagonal head bolt / 7/16"-20UNF

13 701857799
cheese head bolt / 7/16"X25

14 N 0903151
hexagon head bolt (combi) / M8X25-Z3

15 803019825B
spacer sleeve

(16) 705857845
spacer sleeve / 26MM
/ right

16 705857845
spacer sleeve / 26MM
/ left
shorten to: / 19MM

17 N 98910201
fitted bolt / 7/16"X20UNFX
/ 51,4

(18) 701858869
cover cap
701858869 B41 satin black

19 443857847B
knob
443857847B 4PK soul (black)

20 191858727
adjustment knob

22 701858763
covering / left
701858763 01C satin black

(22) 701858764
covering / right
701858764 01C satin black

23 N 0139755
oval head panel screw / ST4,8X19

24 701858661
lap belt with press button buckle / LLKG
for vehicles with dual passenger seat
701858661 01C satin black

(24) 702858662
lap belt with press button buckle / rhd
for vehicles with dual passenger seat
702858662 01C satin black

24B 165857900
cover cap

24C 803019837
hexagonal head bolt / 7/16"X35

24E 701857827A
guide frame
see illustration: / 881-00
701857827A 01C satin black

(27) 701857741
press button buckle / rhd
for vehicles with dual passenger seat
701857741 01C satin black

27 701857742
press button buckle / lhd
for vehicles with dual passenger seat
701857742 01C satin black

28 111857799
hexagonal head bolt / 7/16"X25

30 701857877
press button buckle / left
701857877 01C satin black

(30) 701857877C
press button buckle / left
for vehicles with 2nd battery
for models with swivel seat
701857877C 01C satin black

(30) 701857878
press button buckle / right
701857878 01C satin black

(30) 701857878C
press button buckle / right
for vehicles with 2nd battery
for models with swivel seat
701857878C 01C satin black

32 N 90463001
clamping washer / 8

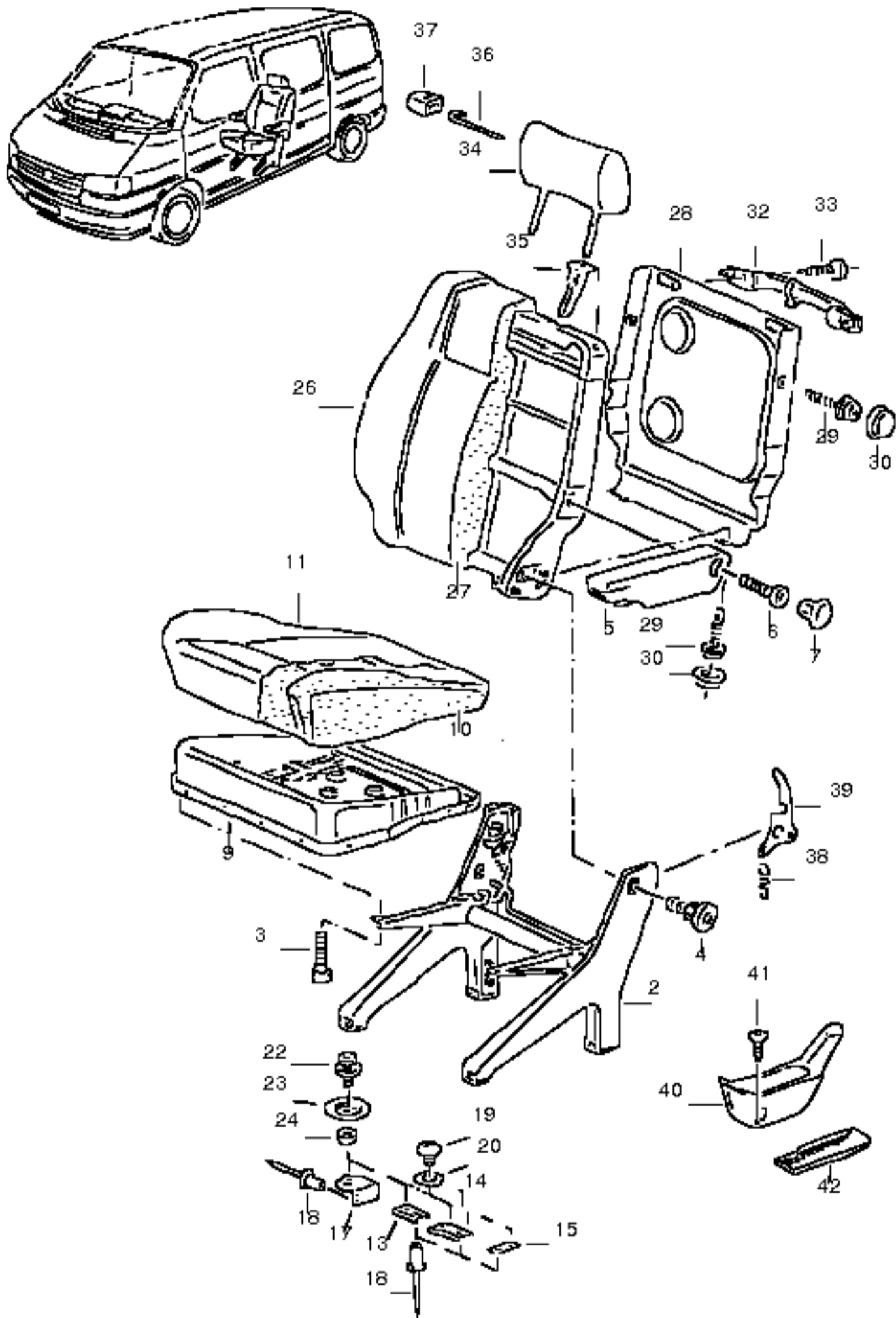
(32) N 0111214
domed cap nut / M6

35 111857793C
hexagonal head bolt

(36) 281857797
cover cap
281857797 01C satin black

37 251857854
concave spring washer

38 N 90449701
fitted bolt / M6X52



seat with cover in passenger compartment
(one person)

1 7D1883045B
backrest frame

2 7D1883061B
seat frame
7D1883061B 01A black

3 N 01470210
allen key head bolt / M6X15

4 N 90473501
fitted bolt / M10X28

(5) 701881081
armrest (cloth) / left
701881081 DNB beaver/light grey / -UA,WE
701881081 DNC beaver/sahara / -UD,WH,ZZ

(5) 701881081B
armrest (cloth) / left
701881081B DNB beaver/light grey / -UA,WE
701881081B DNC beaver/sahara / -UD,WH,ZZ

(5) 701881082
armrest (cloth) / right
701881082 DNB beaver/light grey / -UA,WE
701881082 DNC beaver/sahara / -UD,WH,ZZ

(5) 701881082B
armrest (cloth) / right
701881082B DNB beaver/light grey / -UA,WE
701881082B DNC beaver/sahara / -UD,WH,ZZ

5 705881081
armrest / left / CARAVELLE GL
705881081 AGU light grey / -ES
705881081 AGV neptune blue / -EF
705881081 AGW sahara / -ET

(5) 705881081B
armrest / left / CARAVELLE GL
705881081B AGU light grey / -ES
705881081B AGV neptune blue / -EF
705881081B AGW sahara / -ET

(5) 705881082
armrest / right / CARAVELLE GL
705881082 AGU light grey / -ES
705881082 AGV neptune blue / -EF
705881082 AGW sahara / -ET

(5) 705881082B
armrest / right / CARAVELLE GL
705881082B AGU light grey / -ES
705881082B AGV neptune blue / -EF
705881082B AGW sahara / -ET

6 N 0147263
allen key head bolt / M8X30

7 701881979
plug
701881979 3KX neptune blue
701881979 9UW sahara
701881979 9XK light grey

9 701881304B
seat well

10 701881375C
padding for seat

11 701881405
seat cover (leatherette)
701881405 AHA light grey / -LA,MD
701881405 AHB sahara / -LM,ME
701881405 9XW sahara / -NA

(11) 701881405R
seat cover (cloth)
701881405R DNB beaver/light grey / -UA,WE
701881405R DNC beaver/sahara / -UD,WH,ZZ

(11) 705881405A
seat cover (cloth) / CARAVELLE GL
705881405A AGV neptune blue / -EF
705881405A EEW flannel grey / -UF

13 703883281
retaining plate

14 703883281A
retaining plate

15 703883281B
retaining plate

17 703883281D
retaining plate
list of uses
see illustration: / 885-30

18 N 90478601
pop-rivet / A4,8X11

19 253857785
plug / M10
253857785 01C satin black

20 111857779
gasket / 28X10,4X1,5

(22) 703883297A
attachment bolt / 23MM

(22) 723883297A
attachment bolt / 34MM

(24) 703883298B
damping ring

26 703883455C
backrest cover (leatherette)
703883455C AHA light grey / -LA,MD
703883455C AHB sahara / -LM,ME

(26) 703883455BB
backrest cover (cloth)
703883455BB DNB beaver/light grey / -UA,WE
703883455BB DNC beaver/sahara / -UD,WH

(26) 703883455AS
backrest cover (cloth/leatherette)
703883455AS CEF dark grey / -BR

(26) 705883455C
backrest cover (cloth) / CARAVELLE GL
705883455C AGU light grey / -ES
705883455C AGV neptune blue / -EF
705883455C AGW sahara / -ET

27 703883775A
padding for backrest

28 705883943A
cover for seat backrest
705883943A 2VW light grey / -ES
705883943A 5KH neptune blue / -EF
705883943A 9XW sahara / -ET

29 171867167A
panel screw / B4,2X21

30 311867169
cap for screw
311867169 U71 flannel grey
311867169 2GX balearic(blue)
311867169 2VA light beige

32 705881797
grab handle
705881797 2VW light grey
705881797 5KH neptune blue
705881797 9XW sahara

33 N 0439351
oval head panel screw / B6,3X38-C
head restraints
see illustration: / 881-50

35 357881939A
guide with push button for adjustable head restraint / CARAVELLE GL
357881939A 01C satin black

(35) 1H0881939
guide
1H0881939 B41 satin black

36 703885635
clip for guide

37 703885639
handle
703885639 01C satin black

38 703883259A
tension spring

39 703883959
locating lever / left

(39) 703883960
locating lever / right

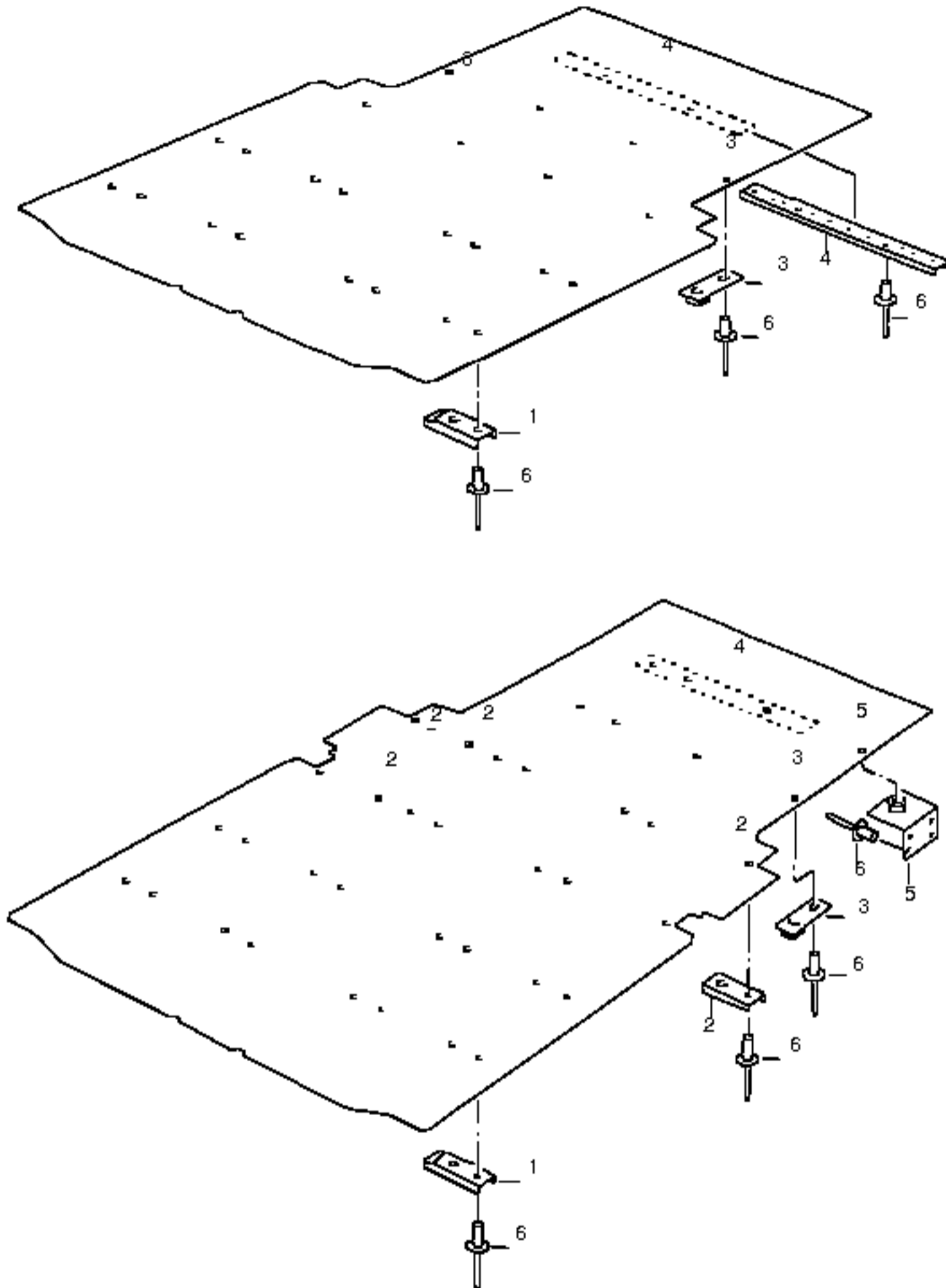
40 705883949
shelf/stowage compartment / left
705883949 J51 lagoon
705883949 Q70 light beige
705883949 U71 flannel grey

(40) 705883950
shelf/stowage compartment / right
705883950 J51 lagoon
705883950 Q70 light beige
705883950 U71 flannel grey

41 191867199
plug / 20/8,5
191867199 01C satin black

42 7D0858587
insert for stowage box / left
7D0858587 J51 lagoon
7D0858587 U71 flannel grey
7D0858587 9UW sahara

(42) 7D0858588
insert for stowage box / right
7D0858588 J51 lagoon
7D0858588 U71 flannel grey
7D0858588 9UW sahara



securing parts
for vehicles with bench seats
(passenger compartment)

1 703883281
retaining plate
(is required for non-numbered securing points)

2 703883281A
retaining plate

3 703883281B
retaining plate

4 703883281C
attachment strip

5 703883281D
retaining plate

6 N 90478601
pop-rivet / A4,8X11

1. seat bench

=====

wheelbase: / 2920MM
wheelbase: / 3320MM
bench seat
(one person)
for service installation use:
/ 703 883 281
bench seat
2 seater
for service installation use:
/ 703 883 281
folding seat in passeng. comp.
for service installation use:
/ 703 883 281

2. seat bench

=====

wheelbase: / 2920MM
bench seat
(one person)
for service installation use:
/ 703 883 281
/ 703 883 281 B
bench seat
3 seater
for service installation use:
/ 703 883 281
bench seat
3 seater
rear
for service installation use:
/ 703 883 281 C
/ 703 883 281

2. seat bench

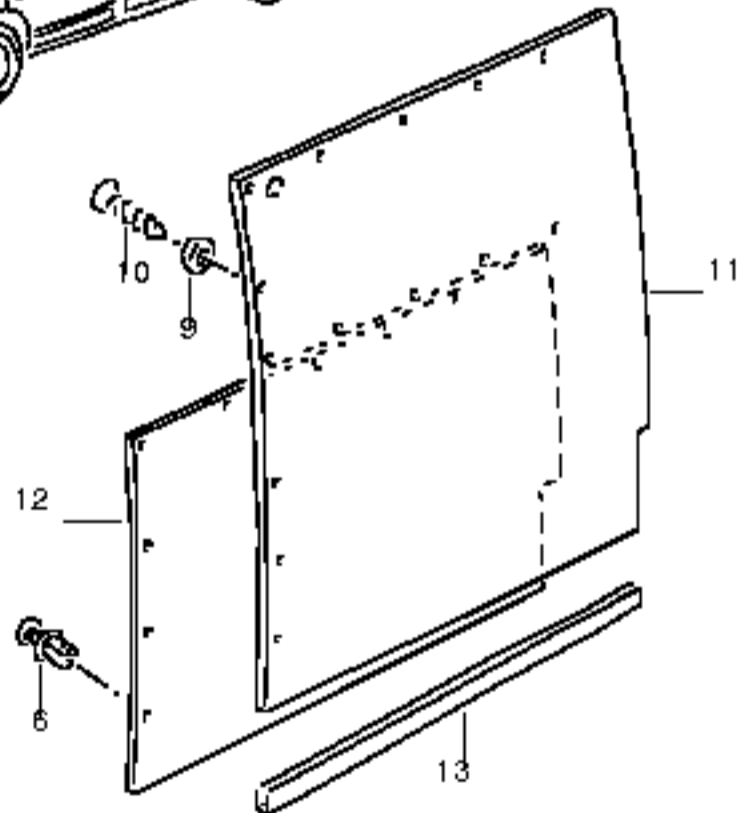
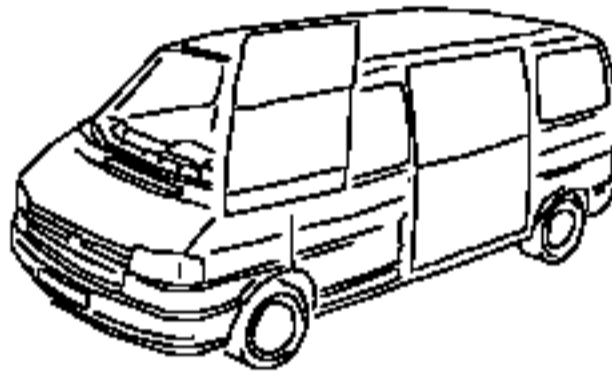
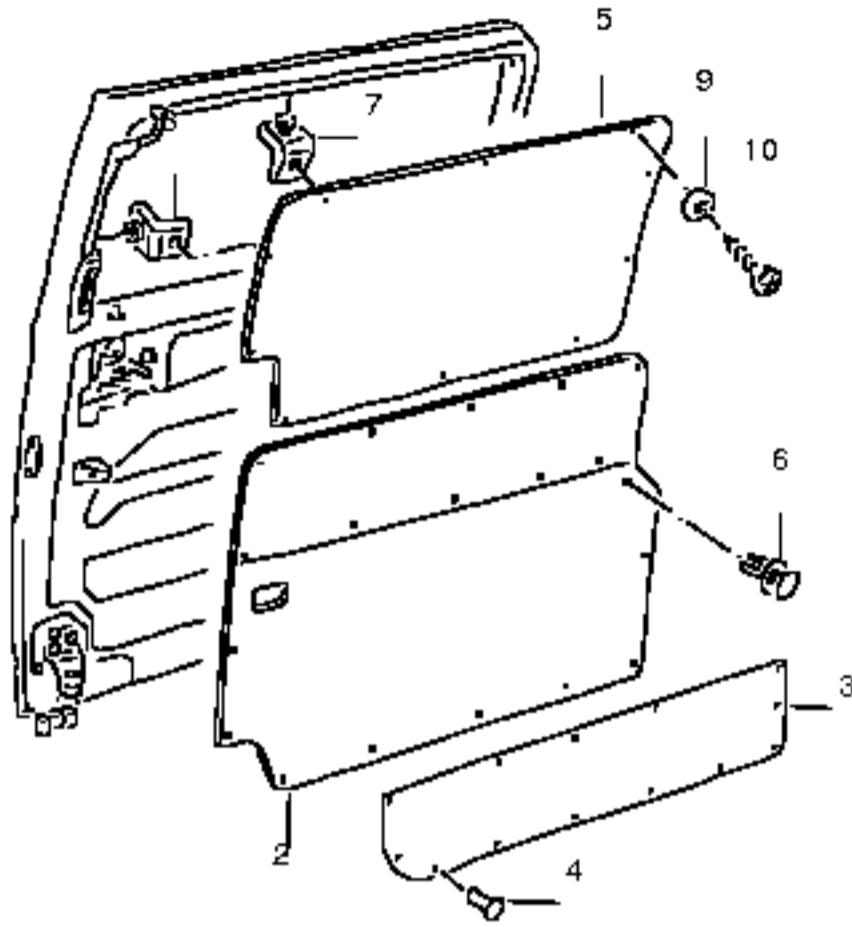
=====

wheelbase: / 3320MM
bench seat / right
(one person)
for service installation use:
/ 703 883 281
/ 703 883 281 A
bench seat
2 seater
for service installation use:
/ 703 883 281 A
/ 703 883 281
folding seat in passeng. comp. / right
for service installation use:
/ 703 883 281 A
/ 703 883 281

3. seat bench

=====

wheelbase: / 3320MM
bench seat / left
2 seater
for service installation use:
/ 703 883 281
/ 703 883 281 B
/ 703 883 281 C
/ 703 883 281 D
bench seat
3 seater
for service installation use:
/ 703 883 281 C
/ 703 883 281



side panel trim / front / delivery van

sliding door trim panel / kombi van

(

2) 703867203B

sliding door trim panel / left

(plastic)

703867203B 1YX flint grey

(2) 703867203C

sliding door trim panel (fiberboard) / left

703867203C 9ZW flint grey

2 703867204B

sliding door trim panel / right (plastic)

703867204B 1YX flint grey

(2) 703867204C

sliding door trim panel (fiberboard) / right

rework if necessary

703867204C 9ZW flint grey

3 253867206A

kick plate for sliding door / fire brigade

4 N 0162171

cup rivet / A3,2X12,5

(5) 701867219

sliding door trim panel / left / delivery van (plastic)

701867219 1YX flint grey

(5) 701867219A

sliding door trim panel (fiberboard) / left / delivery van

701867219A 9ZW flint grey

5 701867220

sliding door trim panel / right / delivery van (plastic)

701867220 1YX flint grey

(5) 701867220A

sliding door trim panel (fiberboard) / right / delivery van

701867220A 9ZW flint grey

- 721868650

sliding door trim panel (fiberboard) / upper

for high roof

721868650 9ZW flint grey

- 721868650A

sliding door trim panel / upper (plastic) for high roof

721868650A 1YX flint grey

6 701867299

clip

701867299 1YX flint grey

7 701867299A

clip

701867299A 01C satin black

8 701867299B

clip

701867299B 1YX flint grey

9 N 0117011

cone washer / A4,4

10 N 0140872

oval hd. csk. self-tapp. screw / ST3,5X16-C

11 701867305

side panel trim / left front / delivery van

(plastic)

701867305 1YX flint grey

(11) 701867305A

side panel trim (fiberboard) / left front / delivery van

701867305A 9ZW flint grey

(11) 701867306

side panel trim / right front / delivery van

(plastic)

701867306 1YX flint grey

(11) 701867306D

side panel trim / right front / delivery van

(plastic)

701867306D 1YX flint grey

(11) 701867306A

side panel trim (fiberboard) / right front / delivery van

701867306A 9ZW flint grey

(11) 701867306E

side panel trim (fiberboard) / right front / delivery van

701867306E 9ZW flint grey

12 703867305

side panel trim / left front / kombi van

(plastic)

703867305 1YX flint grey

(12) 703867305A

side panel trim (fiberboard) / left front / kombi van

703867305A 9ZW flint grey

(12) 703867306

side panel trim / right front / kombi van

(plastic)

703867306 1YX flint grey

(12) 703867306D

side panel trim / right front / kombi van

(plastic)

703867306D 1YX flint grey

(12) 703867306A

side panel trim (fiberboard) / right front / kombi van

703867306A 9ZW flint grey

(12) 703867306E

side panel trim (fiberboard) / right front / kombi van

703867306E 9ZW flint grey

13 701867741

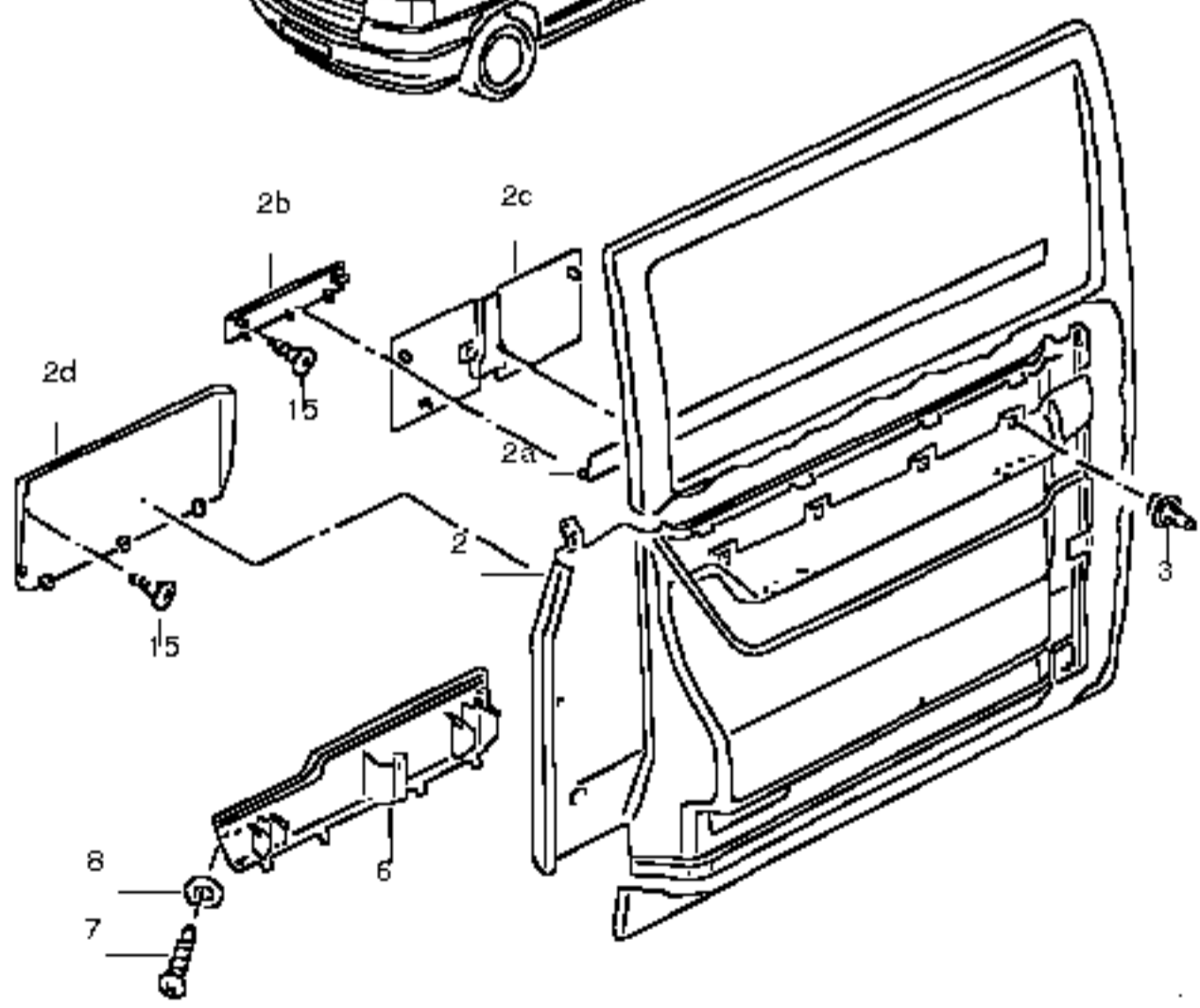
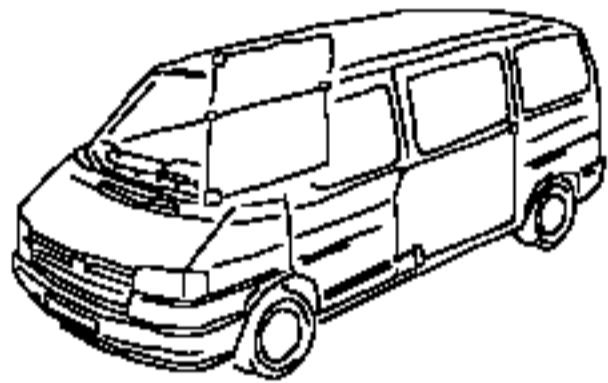
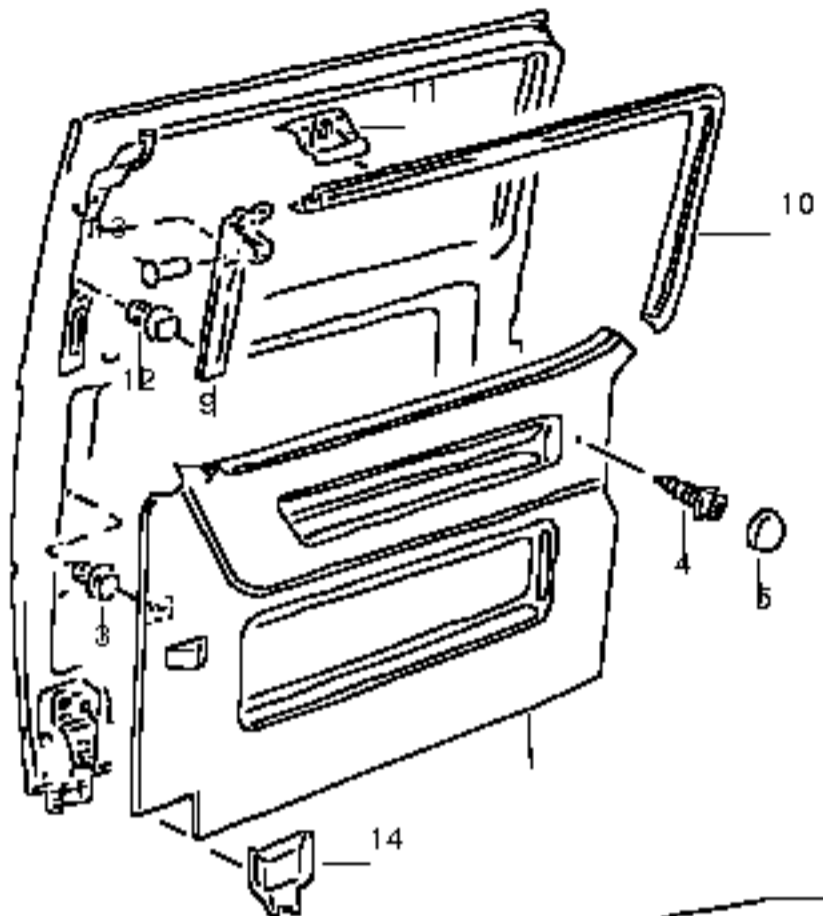
clamping profile

- 533863288A

felt strip (self-adhesivel) 'order unit 25' / 20X3X880MM

- 705868835

foam packing (self-adhesive)



side panel trim / front / CARAVELLE,
sliding door trim panel / CARAVELLE GL
/ ambulance

(1) 705867027
sliding door trim panel (leatherette) / left / CARAVELLE,
/ MULTIVAN
705867027 2VW light grey
705867027 9XW sahara

(1) 705867027
sliding door trim panel (leatherette) / left / ambulance
705867027 9XW sahara

(1) 705867027A
sliding door trim panel / left
OBEN STOFF UNTEN KUNSTLEDER
705867027A AGX neptune blue / -EF / CARAVELLE GL
705867027A AGY light grey / -ES / CARAVELLE GL
705867027A AGZ sahara / -ET / CARAVELLE GL

1 705867028
sliding door trim panel (leatherette) / right / CARAVELLE,
/ MULTIVAN
705867028 2VW light grey
705867028 9XW sahara

(1) 705867028
sliding door trim panel (leatherette) / right / ambulance
705867028 9XW sahara

(1) 705867028A
sliding door trim panel / right
OBEN STOFF UNTEN KUNSTLEDER
705867028A AGX neptune blue / -EF / CARAVELLE GL
705867028A AGY light grey / -ES / CARAVELLE GL
705867028A AGZ sahara / -ET / CARAVELLE GL
705867028A BJF light grey / -GH / camp- mobile
705867028A CDU light grey / -DE,DG / MULTIVAN-/ CLASSIC, / camp- mobile
705867028A DGV grey/green red blue / -02 / ALLSTAR
705867028A JAA light grey / -21 / HIGHWAY, / camp- mobile

2 705867039
side panel trim (leatherette) / left front / CARAVELLE
705867039 2VW light grey
705867039 9XW sahara

(2) 705867039
side panel trim (leatherette) / left front / ambulance
adapt with workshop equipment
705867039 9XW sahara

(2) 705867039A
side panel trim / left front / CARAVELLE
cloth / GL
705867039A AGX neptune blue
705867039A AGY light grey
705867039A AGZ sahara

(2) 703867039A
side panel trim (leatherette) / left front / MULTIVAN-
/ CLASSIC,
/ ALLSTAR
703867039A 2VW light grey

- 251201525
base

- 251807127
cover cap
251807127 1BG graphite

2B 703867133B
storage box / upper / MULTIVAN-
/ CLASSIC
/ ALLSTAR
703867133B 9XK light grey

2C 703867133A
storage box / lower / MULTIVAN-
/ CLASSIC,
/ ALLSTAR
703867133A 9XK light grey

2D 703867133
storage box / lower / MULTIVAN-
/ CLASSIC,
/ ALLSTAR
703867133 9XK light grey

(2) 705867040
side panel trim (leatherette) / right front / CARAVELLE
705867040 2VW light grey
705867040 9XW sahara

(2) 705867040
side panel trim (leatherette) / right front / ambulance
adapt with workshop equipment
705867040 9XW sahara

(2) 705867040H
side panel trim (leatherette) / right front / ambulance
adapt with workshop equipment
705867040H 2VW light grey

(2) 705867040H
side panel trim (leatherette) / right front / CARAVELLE
705867040H 2VW light grey
705867040H 9XW sahara

(2) 705867040A
side panel trim / right front / CARAVELLE
cloth / GL
705867040A AGX neptune blue
705867040A AGY light grey
705867040A AGZ sahara

(2) 705867040J
side panel trim / right front / CARAVELLE GL
705867040J AGX neptune blue
705867040J AGY light grey
705867040J AGZ sahara

2A 703868333K
sealing / inner / ambulance
703868333K 9UW sahara

3 823867299
clip

4 N 90312901
oval head panel screw (combi) / B4,2X22

5 311867169
cap for screw
311867169 9UW sahara
311867169 2GX balearic(blue)
311867169 U71 flannel grey

(5) 357867169
cover cap
357867169 3KX neptune blue

6 705867131
shelf for side panel trim / left / CARAVELLE GL
705867131 3KX neptune blue
705867131 9UW sahara
705867131 9XK light grey

(6) 705867132
shelf for side panel trim / right / CARAVELLE GL
705867132 3KX neptune blue
705867132 9UW sahara
705867132 9XK light grey

7 N 0139755
oval head panel screw / ST4,8X19

8 N 0116653
washer / 5,3X15X1,6

(9) 705867619B
sliding door trim panel / left front
705867619B 9UW sahara
705867619B 9XK light grey

9 705867620B
sliding door trim panel / right front
705867620B 9UW sahara
705867620B 9XK light grey

(9) 705867620C
sliding door trim panel / right front / CARAVELLE GL
705867620C 2XL neptune blue

(10) 705867623
sliding door trim panel / left rear
705867623 9UW sahara
705867623 9XK light grey

(10) 705867623A
sliding door trim panel / left rear / CARAVELLE GL
705867623A 2XL neptune blue

10 705867624
sliding door trim panel / right rear
705867624 9UW sahara
705867624 9XK light grey
705867624 H50 light grey / camp- mobile

(10) 705867624A
sliding door trim panel / right rear
705867624A 2XL neptune blue

11 705867633
clips

(11) 705867633B
clips

12 443867299
clip

13 N 90478501
plug / 6X14
N 904785013KX neptune blue
N 904785019UW sahara
N 904785019XK light grey

(14) 705868639B
cover cap / left
705868639B 3KX neptune blue
705868639B 9UW sahara
705868639B 9XK light grey

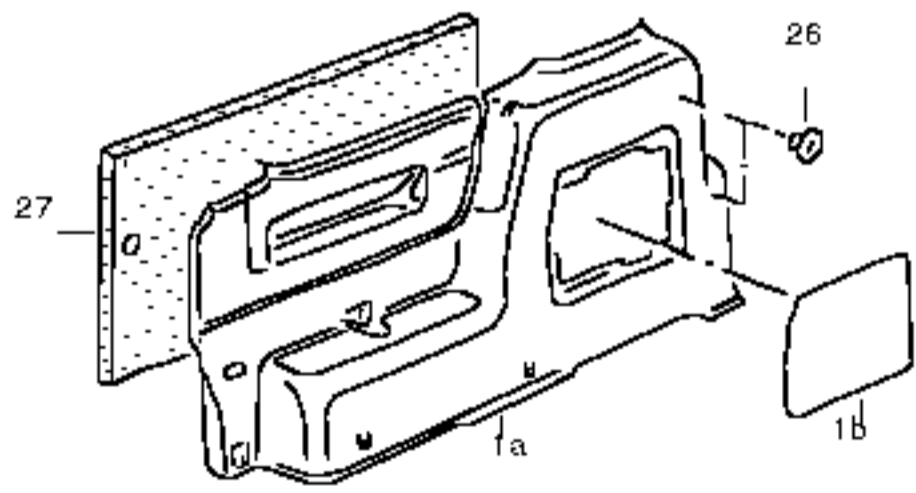
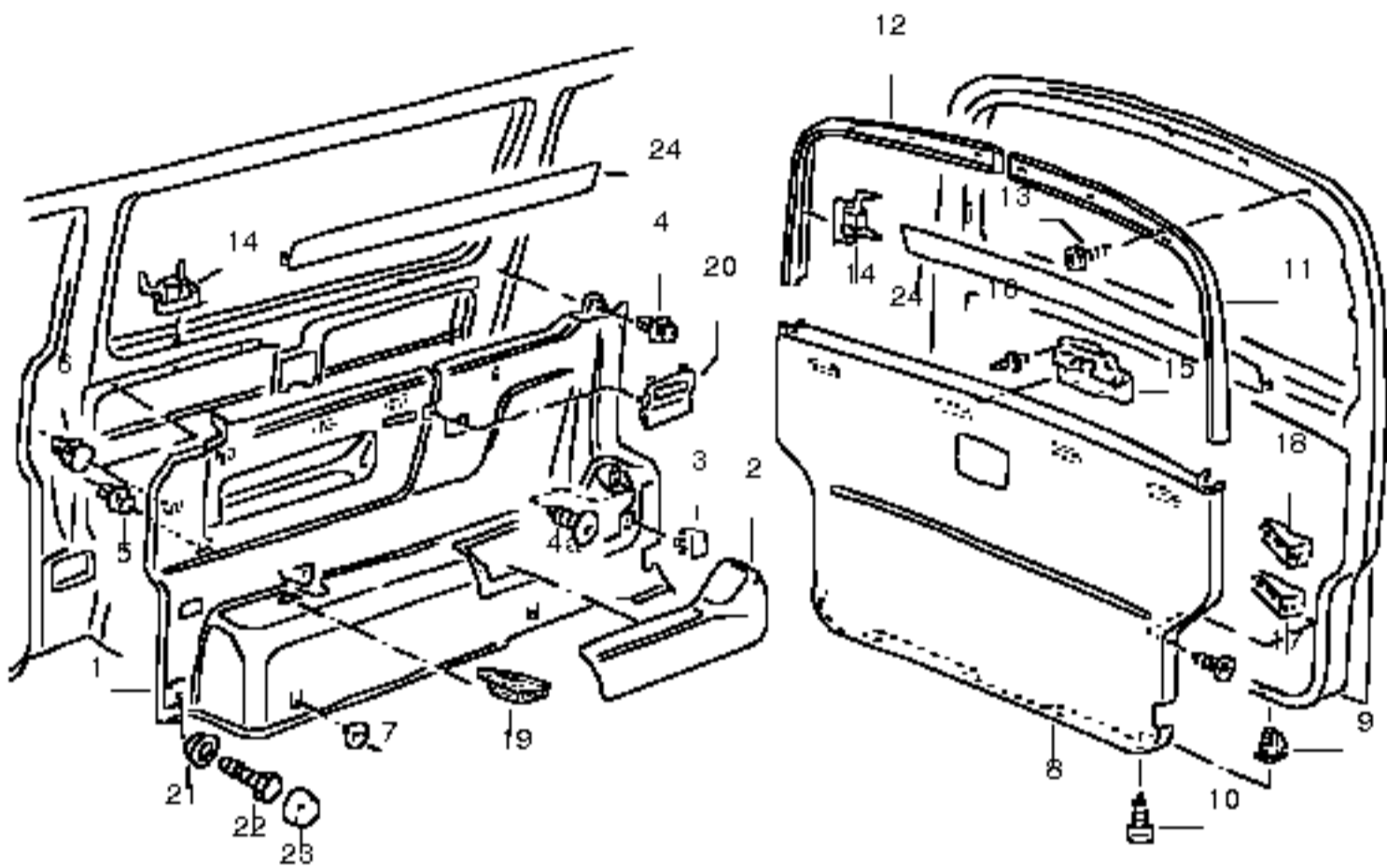
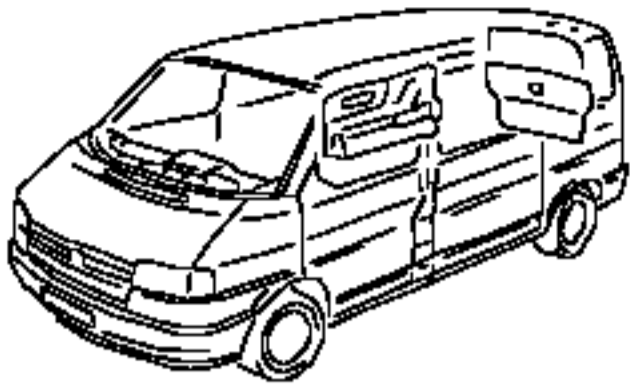
(14) 705868640B
cover cap / right
705868640B 3KX neptune blue
705868640B 9XK light grey

(14) 7D0868640
cover cap / right
7D0868640 9UW sahara

15 N 0139575
oval head panel screw / B3,5X9,5

- 533863288A
felt strip (self-adhesive) 'order unit 25' / 20X3X880MM

- 705868835
foam packing (self-adhesive)



side panel trim / rear / CARAVELLE, GL
trim panel for tail gate / ambulance

I 705867035
side panel trim (leatherette) / left rear / CARAVELLE,
/ 1145 / MULTIVAN-
for vehicles with sliding door / right / CLASSIC
for models with wheelbase: / 2920MM
705867035 2VW light grey
705867035 9XW sahara

(1) 705867035
side panel trim (leatherette) / left rear / ambulance
/ 1145MM
for vehicles with sliding door / right
for models with wheelbase: / 2920MM
705867035 9XW sahara

(1) 705867035A
side panel trim (leatherette) / left rear / CARAVELLE
/ 1300MM
sliding door side
for models with wheelbase: / 2920MM
705867035A 2VW light grey
705867035A 9XW sahara

(1) 705867035B
side panel trim / left rear / CARAVELLE GL
for vehicles with sliding door / right / ALLSTAR
(leatherette/cloth) / 1145MM
for models with wheelbase: / 2920MM
705867035B AGX neptune blue
705867035B AGY light grey
705867035B AGZ sahara
705867035B DGV grey/green red blue / ALLSTAR

(1) 705867035C
side panel trim / left rear / CARAVELLE GL
sliding door side
(leatherette/cloth) / 1300MM
for models with wheelbase: / 2920MM
705867035C AGX neptune blue
705867035C AGY light grey
705867035C AGZ sahara

(1) 7D3867035D
side panel trim (leatherette) / left rear / CARAVELLE
/ 1540MM
for vehicles with sliding door / right
for models with wheelbase: / 3320MM
7D3867035D 9XW sahara

(1) 725867035
side panel trim (leatherette) / left rear / CARAVELLE
/ 1540MM
for vehicles with sliding door / right
for models with wheelbase: / 3320MM
725867035 2VW light grey

(1) 725867035A
side panel trim (leatherette) / left rear / CARAVELLE
/ 1700MM
sliding door side
for models with wheelbase: / 3320MM
725867035A 2VW light grey
725867035A 9XW sahara

(1) 725867035B
side panel trim (leatherette/cloth) / left rear / CARAVELLE GL
/ 1540MM
for vehicles with sliding door / right
for models with wheelbase: / 3320MM
725867035B AGX neptune blue
725867035B AGY light grey
725867035B AGZ sahara

(1) 725867035C
side panel trim (leatherette/cloth) / left rear / CARAVELLE GL
/ 1700MM
sliding door side
for models with wheelbase: / 3320MM
725867035C AGX neptune blue
725867035C AGY light grey
725867035C AGZ sahara

(1) 705867036
side panel trim (leatherette) / right rear / CARAVELLE-
/ 1300MM / MULTIVAN,
sliding door side / CLASSIC
for models with wheelbase: / 2920MM
705867036 2VW light grey
705867036 9XW sahara

(1) 705867036
side panel trim (leatherette) / right rear / ambulance
/ 1300MM
sliding door side
for models with wheelbase: / 2920MM
705867036 9XW sahara

(1) 705867036BM
side panel trim (leatherette) / right rear / CARAVELLE-
/ 1300MM / MULTIVAN,
sliding door side / CLASSIC
for models with wheelbase: / 2920MM
705867036BM2VW light grey
705867036BM9XW sahara

I 705867036A
side panel trim (leatherette) / right rear / CARAVELLE
/ 1145MM
705867036A 2VW light grey
705867036A 9XW sahara

(1) 705867036BN
side panel trim (leatherette) / right rear / CARAVELLE
/ 1145MM
for vehicles with sliding door / left
for models with wheelbase: / 3320MM
705867036BN2VW light grey
705867036BN9XW sahara

(1) 705867036B
side panel trim / right rear / CARAVELLE GL
sliding door side / ALLSTAR
(leatherette/cloth) / 1300MM
for models with wheelbase: / 2920MM
705867036B AGX neptune blue
705867036B AGY light grey
705867036B AGZ sahara
705867036B DGV grey/green red blue / ALLSTAR

(1) 705867036BP
side panel trim / right rear / CARAVELLE GL
sliding door side / ALLSTAR
(leatherette/cloth) / 1300MM
for models with wheelbase: / 2920MM
705867036BPAGX neptune blue
705867036BPAGY light grey
705867036BPAGZ sahara
705867036BPDGV grey/green red blue

(1) 705867036C
side panel trim / right rear / CARAVELLE GL
for vehicles with sliding door / left
(leatherette/cloth) / 1145MM
for models with wheelbase: / 2920MM
705867036C AGX neptune blue
705867036C AGY light grey
705867036C AGZ sahara

(1) 705867036BQ
side panel trim / right rear / CARAVELLE GL
for vehicles with sliding door / left
(leatherette/cloth) / 1145MM
for models with wheelbase: / 2920MM
705867036BQAGX neptune blue
705867036BQAGY light grey
705867036BQAGZ sahara

(1) 725867036
side panel trim (leatherette) / right rear / CARAVELLE,
/ 1700MM / ambulance
sliding door side
for models with wheelbase: / 3320MM
725867036 2VW light grey
725867036 9XW sahara

(1) 725867036AK
side panel trim (leatherette) / right rear / CARAVELLE
/ 1700MM / ambulance
sliding door side /
for models with wheelbase: / 3320MM
725867036AK2VW light grey
725867036AK9XW sahara

(1) 725867036A
side panel trim (leatherette) / right rear / CARAVELLE
/ 1540MM
for vehicles with sliding door / left
for models with wheelbase: / 3320MM
725867036A 2VW light grey
725867036A 9XW sahara

(1) 725867036AL
side panel trim (leatherette) / right rear / CARAVELLE
/ 1540MM
for vehicles with wing door
for models with wheelbase: / 3320MM
725867036AL2VW light grey
725867036AL9XW sahara

(1) 725867036B
side panel trim / right rear / CARAVELLE GL
sliding door side
(leatherette/cloth) / 1700MM
for models with wheelbase: / 3320MM
725867036B AGX neptune blue
725867036B AGY light grey
725867036B AGZ sahara

(1) 725867036AM
side panel trim (leatherette/cloth) / right rear / CARAVELLE GL
/ 1700MM
sliding door side
for models with wheelbase: / 3320MM
725867036AMAGX neptune blue
725867036AMAGY light grey
725867036AMAGZ sahara

(1) 725867036C
side panel trim / right rear / CARAVELLE GL
for vehicles with sliding door / left
(leatherette/cloth) / 1540MM
for models with wheelbase: / 3320MM
725867036C AGX neptune blue
725867036C AGY light grey
725867036C AGZ sahara

(1) 725867036AN
side panel trim (leatherette/cloth) / right rear / CARAVELLE GL
/ 1540MM
for vehicles with sliding door / left
for models with wheelbase: / 3320MM
725867036ANAGX neptune blue
725867036ANAGY light grey
725867036ANAGZ sahara

(1A) 705867036CF
side panel trim (leatherette) / right rear / CARAVELLE
/ 1145MM
for vehicles with sliding door / left
for vehicles with air condit.
for vehicles with 2nd evaporator
for models with wheelbase: / 2920MM
705867036CF2VW light grey
705867036CF9XW sahara

(1A) 705867036BR
side panel trim (leatherette) / right rear / CARAVELLE
/ 1145MM
for vehicles with sliding door / left
for vehicles with air condit.
for vehicles with 2nd evaporator
for models with wheelbase: / 2920MM
705867036BR2VW light grey
705867036BR9XW sahara

(1A) 705867036CG
side panel trim (leatherette) / right rear / CARAVELLE,
/ 1300MM / MULTIVAN-
sliding door side / CLASSIC
for vehicles with air condit.
for vehicles with 2nd evaporator
for models with wheelbase: / 2920MM
705867036CG9XW sahara

(1A) 705867036BT
side panel trim (leatherette) / right rear / CARAVELLE
/ 1300MM
sliding door side
for vehicles with air condit.
for vehicles with 2nd evaporator
for models with wheelbase: / 2920MM
705867036BT9XW sahara

(1A) 705867036CJ
side panel trim (leatherette/cloth) / right rear / CARAVELLE GL
/ 1145MM
for vehicles with sliding door / left
for vehicles with air condit.
for vehicles with 2nd evaporator
for models with wheelbase: / 2920MM
705867036CJAGX neptune blue
705867036CJAGY light grey
705867036CJAGZ sahara

(1A) 705867036CA
side panel trim (leatherette/cloth) / right rear / CARAVELLE GL
/ 1145MM
for vehicles with air condit.
for vehicles with 2nd evaporator
for models with wheelbase: / 2920MM
705867036CAAGX neptune blue
705867036CAAGY light grey
705867036CAAGZ sahara

(1A) 705867036CH
side panel trim (leatherette/cloth) / right rear / CARAVELLE GL
/ 1300MM / ALLSTAR
sliding door side
for vehicles with air condit.
for vehicles with 2nd evaporator
for models with wheelbase: / 2920MM
705867036CHAGZ sahara

(1A) 705867036BS
side panel trim (leatherette/cloth) / right rear / CARAVELLE GL
/ 1300MM / ALLSTAR
sliding door side
for vehicles with air condit.
for vehicles with 2nd evaporator

for models with wheelbase: / 2920MM
705867036BSAGX neptune blue
705867036BSAGY light grey
705867036BSAGZ sahara
705867036BSDGV grey/green red blue

(1B) 705867076B
inspection cover
705867076B 2VW light grey
705867076B 5KH neptune blue
705867076B 9XW sahara

(2) 705868433
cover / left
705868433 2VW light grey
705868433 5KH neptune blue
705868433 9XW sahara

2 705868434
cover / right
705868434 2VW light grey
705868434 5KH neptune blue
705868434 9XW sahara

3 705868439
retaining clip

4 701867299
clip
701867299 3KX neptune blue
701867299 9UW sahara
701867299 9XK light grey

4A N 90201601
plug / A8X22,75X20
N 9020160101C satin black

5 703867299
clip

6 701867549
clip

7 N 90357702
press stud / 9,5X8X30
N 903577029XK light grey
N 903577029UW sahara
N 903577023KX neptune blue
N 9035770201C satin black

8 705867601C
trim panel for tail gate
705867601C 2VW light grey
705867601C 5KH neptune blue
705867601C 9XW sahara

- 705867345
distance piece

- 7D0829621A
loop
for vehicles with moulded lining

also use: / N 904 792 01
/ N 014 156 5
/ N 011 523 18
7D0829621A 01C satin black

- N 90479201
rivetted cap nut / M5/0,5-3-B

- N 0141565
fillister hd. bolt / MSX30

- N 01152318
washer / A5,3X10X1

- 701829623
clip

- N 0139383
oval head panel screw / B4,8X38

9 251853684A
expanding nut

10 N 90157501
panel screw / B4,2X25

11 705867627D
trim panel for tail gate / left upper
use if required: / 1H6 971 910 A
705867627D 9UW sahara
705867627D 9XK light grey
705867627D H50 light grey / camp- mobile

(11) 705867627E
trim panel for tail gate / left upper
use if required: / 1H6 971 910 A
705867627E 2XL neptune blue

- 1H6971910A
plug / 6,8X15,5

12 705867628D
trim panel for tail gate / right upper
705867628D 9UW sahara
705867628D 9XK light grey
705867628D H50 light grey / camp- mobile

(12) 705867628E
trim panel for tail gate / right upper
705867628E 2XL neptune blue

14 705867633
clips

15 705868615
clips

16 N 90576301
pop-rivet / A4X9X8X1,2

17 705868617A
clip / lower

18 705868618A
clip / upper

19 703885331A
stop buffer

(20) 705868803
cover cap / left
for 3 seater bench seat / right
705868803 01C satin black

(20) 725868803
cover cap
for 3 seater bench seat
for models with wheelbase: / 3320MM
725868803 01C satin black

20 705868803A
blind cover / left
/ right
FUER FZG.OHNE FORMVERKLEIDUNG
705868803A 01C satin black

(20) 705868803D
cover cap / right / MULTIVAN,
for 3 seater bench seat / CARAVELLE
for models with air duct / GL
705868803D 01C satin black

(20) 705868803C
blind cover / right / MULTIVAN,
for models with air duct / CARAVELLE
705868803C 01C satin black

21 705857845C
spacer sleeve / SMM

22 111857793E
hexagonal head bolt

(23) 281857797
cover cap
281857797 01C satin black

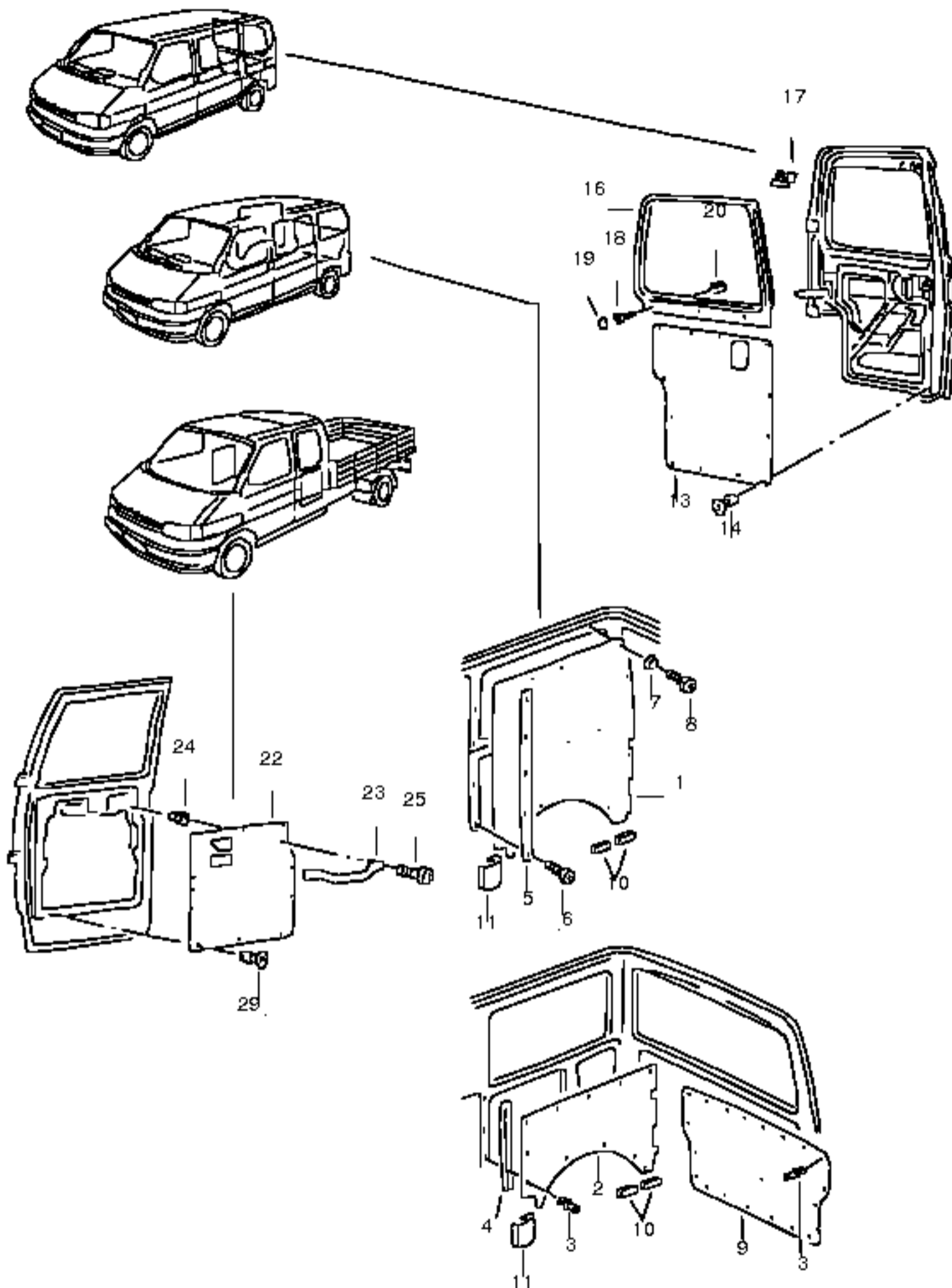
24 703868333K
sealing / inner / ambulance
703868333K 9UW sahara

26 N 90581901
press stud
N 905819019XK light grey
make up from: / 447 863 985

- 1J0867809
sound absorber (self-adhesive) / 500X490X15
(cotton fiber nap) / center

- 533863288A
felt strip (self-adhesive) 'order unit 25' / 20X3X880MM

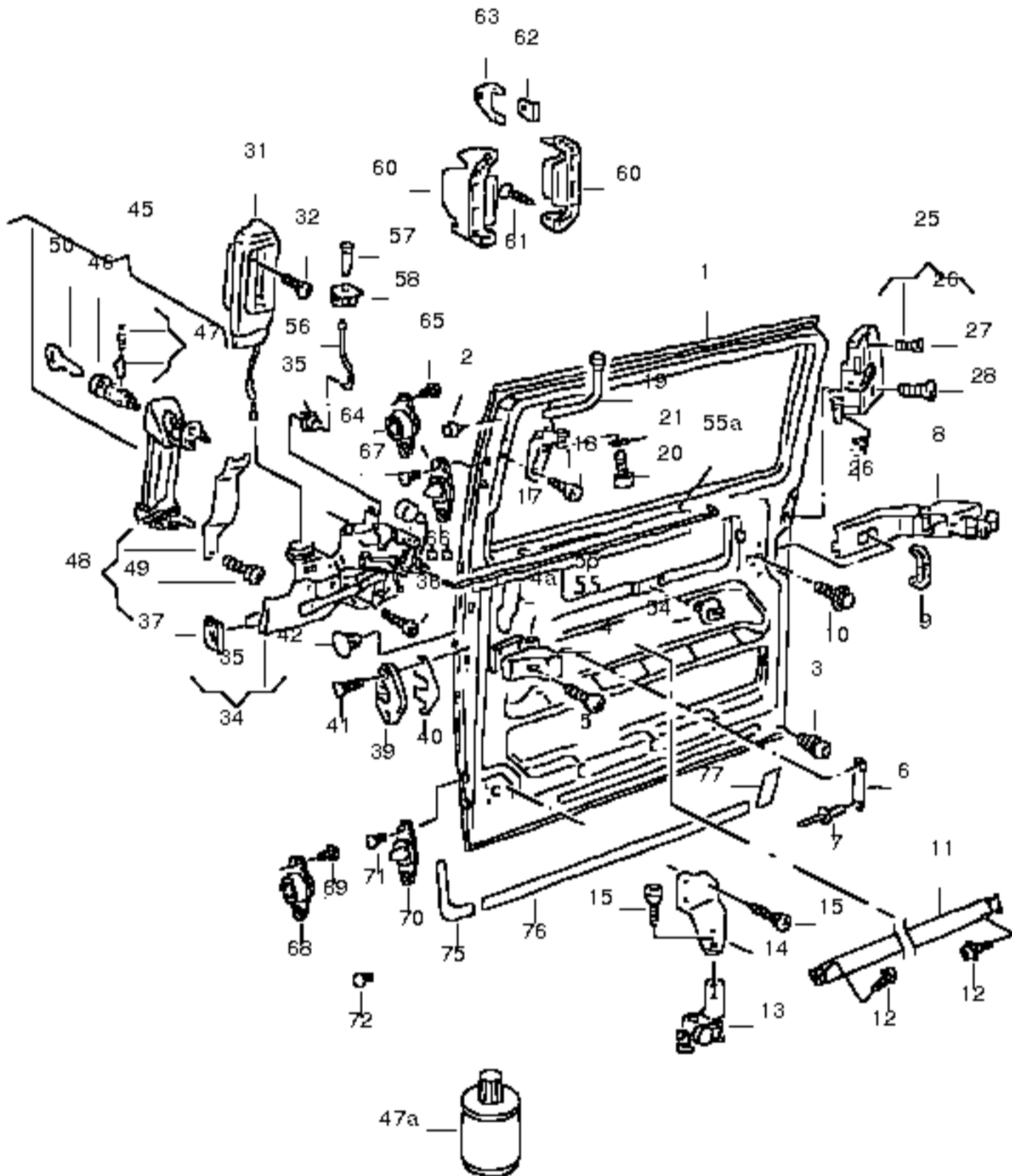
- 705868835
foam packing (self-adhesive)



- side panel trim / delivery van
- trim panel for tail gate / kombi van
- trim panel for wing door
- trim panel for crew cab door / double cab
- side panel trim
- (1) 701867405
- side panel trim / left rear / delivery van
(plastic) / 1071MM
for models with wheelbase: / 2920MM
701867405 1YX flint grey
- (1) 701867405A
- side panel trim / left rear / delivery van
(plastic) / 1071MM
sliding door side
for models with wheelbase: / 2920MM
701867405A 1YX flint grey
- (1) 7D0867405B
- side panel trim (fiberboard) / left rear / delivery van
/ 1045MM
for models with wheelbase: / 2920MM
7D0867405B 9ZW flint grey
- (1) 701867405E
- side panel trim (fiberboard) / left rear / delivery van
/ 1045MM
sliding door side
for models with wheelbase: / 2920MM
701867405E 9ZW flint grey
- (1) 7D3867405AG
- side panel trim / left rear / delivery van
(plastic) / 1471MM
for models with wheelbase: / 3220MM
7D3867405AG 1YX flint grey
- (1) 721867405B
- side panel trim / left rear / delivery van
(plastic) / 1445MM
sliding door side
for models with wheelbase: / 3220MM
721867405B 1YX flint grey
- (1) 7D3867405A
- side panel trim (fiberboard) / left rear / delivery van
/ 1471MM
for models with wheelbase: / 3320MM
7D3867405A 9ZW flint grey
- (1) 721867405A
- side panel trim (fiberboard) / left rear / delivery van
/ 1471MM
for models with wheelbase: / 3320MM
721867405A 9ZW flint grey
- (1) 721867405C
- side panel trim (fiberboard) / left rear / delivery van
/ 1445MM
sliding door side
for models with wheelbase: / 3320MM
721867405C 9ZW flint grey
- 1 701867406
- side panel trim / right rear / delivery van
(plastic) / 1045MM
for models with wheelbase: / 2920MM
701867406 1YX flint grey
- (1) 701867406R
- side panel trim / right rear / delivery van
(plastic) / 1045MM
701867406R 1YX flint grey
- (1) 701867406A
- side panel trim / right rear / delivery van
(plastic) / 1071MM
sliding door side
for models with wheelbase: / 2920MM
701867406A 1YX flint grey
- (1) 7D0867406AC
- side panel trim / right rear / delivery van
(plastic) / 1045MM
sliding door side
7D0867406AC 1YX flint grey
- (1) 701867406D
- side panel trim (fiberboard) / right rear / delivery van
/ 1071MM
for models with wheelbase: / 2920MM
701867406D 9ZW flint grey
- (1) 7D0867406G
- side panel trim (fiberboard) / right rear / delivery van
/ 1045MM
7D0867406G 9ZW flint grey
- (1) 701867406E
- side panel trim (fiberboard) / right rear / delivery van
/ 1071MM
sliding door side
for models with wheelbase: / 2920MM
701867406E 9ZW flint grey
- (1) 7D0867406A
- side panel trim (fiberboard) / right rear / delivery van
/ 1071MM
sliding door side
7D0867406A 9ZW flint grey
- (1) 721867406
- side panel trim / right rear / delivery van
(plastic) / 1471MM
for models with wheelbase: / 3320MM
721867406 1YX flint grey
- (1) 721867406M
- side panel trim / right rear / delivery van
(plastic) / 1471MM
for models with wheelbase: / 3320MM
721867406M 1YX flint grey
- (1) 721867406B
- side panel trim / right rear / delivery van
(plastic) / 1445MM
sliding door side
for models with wheelbase: / 3320MM
721867406B 1YX flint grey
- (1) 721867406H
- side panel trim / right rear / delivery van
(plastic) / 1445MM
sliding door side
for models with wheelbase: / 3320MM
721867406H 1YX flint grey
- (1) 721867406A
- side panel trim (fiberboard) / right rear / delivery van
/ 1471MM
for models with wheelbase: / 3320MM
721867406A 9ZW flint grey
- (1) 7D3867406R
- side panel trim (fiberboard) / right rear / delivery van
/ 1471MM
for models with wheelbase: / 3320MM
7D3867406R 9ZW flint grey
- (1) 721867406C
- side panel trim (fiberboard) / right rear / delivery van
/ 1445MM
sliding door side
for models with wheelbase: / 3320MM
721867406C 9ZW flint grey
- (1) 7D3867406S
- side panel trim (fiberboard) / right rear / delivery van
/ 1445MM
sliding door side
for models with wheelbase: / 3320MM
7D3867406S 9ZW flint grey
- (2) 703867405
- side panel trim / left rear / kombi van
(plastic)
for models with wheelbase: / 2920MM
703867405 1YX flint grey
- (2) 7D0867405J
- side panel trim (fiberboard) / left rear / kombi van

for models with wheelbase: / 2920MM
7D0867405J 9ZW flint grey
- (2) 7D3867405AL
- side panel trim / left rear / kombi van
(plastic)
for models with wheelbase: / 3320MM
7D3867405AL 1YX flint grey
- (2) 7D3867405AH
- side panel trim (fiberboard) / left rear / kombi van
for models with wheelbase: / 3320MM
7D3867405AH 9ZW flint grey
- 2 703867406
- side panel trim / right rear / kombi van
(plastic)
for models with wheelbase: / 2920MM
703867406 1YX flint grey
- (2) 7D0867406Q
- side panel trim / right rear / kombi van
(plastic)
7D0867406Q 1YX flint grey
- (2) 7D0867406J
- side panel trim (fiberboard) / right rear / kombi van
for models with wheelbase: / 2920MM
7D0867406J 9ZW flint grey
- (2) 7D0867406J
- side panel trim (fiberboard) / right rear / kombi van
for models with wheelbase: / 2920MM
7D0867406J 9ZW flint grey
- (2) 723867406
- side panel trim / right rear / kombi van
KUNSTSTOFF)
for models with wheelbase: / 3320MM
723867406 1YX flint grey
- (2) 7D3867406Q
- side panel trim / right rear / kombi van
(plastic)
for models with wheelbase: / 3320MM
7D3867406Q 1YX flint grey
- (2) 7D3867406L
- side panel trim (fiberboard) / right rear / kombi van
for models with wheelbase: / 3320MM
adapt with workshop equipment
7D3867406L 9ZW flint grey
- 3 701867299
- clip
701867299 1YX flint grey
- 4 703867433B
- clamping strip / 438MM / kombi van
- 5 701867535
- cover strip / 1039MM / delivery van
- 6 N 0140872
- oval hd. csk. self-tapp. screw / ST3,5X16-C
- 7 N 0117011
- cone washer / A4,4
- 8 N 0140872
- oval hd. csk. self-tapp. screw / ST3,5X16-C
- 9 701867605B
- trim panel for tail gate
(plastic)
701867605B 1YX flint grey
- (9) 701867605C
- trim panel for wing flap (fibreboard)
701867605C 9ZW flint grey
- 7D0829621
- loop
also use: / N 904 792 01
/ N 014 133 5
/ N 011523 18
7D0829621 01C satin black
- N 90479201
- rivetted cap nut / M5/0,5-3-B
- N 0141335
- fillister hd. bolt / M5X12
- N 01152318
- washer / A5,3X10X1
- 701829623
- clip
- N 0139713
- oval head panel screw / B4,8X22
- 10 701867741
- clamping profile
- (11) 701868787
- cover cap / left
701868787 01C satin black
- 11 701868788
- cover cap / right
701868788 01C satin black
- 533863288A
- felt strip (self-adhesive) 'order unit 25' / 20X3X880MM
- 705868835
- foam packing (self-adhesive)
- trim panel for wing door
- (13) 701867611
- trim panel for wing door / left lower
(plastic)
701867611 1YX flint grey
- (13) 701867611A
- trim panel for wing door (fiberboard) / left lower
701867611A 1XN sahara / -AS,ME,ET,CK, / NA,XS,XD
701867611A 6XH light grey / -AR,MD,ES,XC
701867611A 9ZW flint grey / -DF,DL,LA,LM, / BC,BF,BK,UA
701867611A 2XL neptune blue / -EF
- 13 701867612B
- trim panel for wing door / right lower
(plastic)
701867612B 1YX flint grey
- (13) 701867612C
- trim panel for wing door (fiberboard) / right lower

701867612C 1XN sahara / -AS,ME,ET,CK, / NA,XS,XD
701867612C 6XH light grey / -AR,MD,ES,XC
701867612C 9ZW flint grey / -DF,DL,LA,LM, / BC,BF,BK,UA
701867612C 2XL neptune blue / -EF
- 14 701867299
- clip
701867299 1YX flint grey
701867299 9UW sahara
701867299 9XK light grey
701867299 3KX neptune blue
- (16) 705867627F
- trim panel for wing door / left upper / CARAVELLE
705867627F 9UW sahara
705867627F 9XK light grey
- (16) 705867627G
- trim panel for wing door / left upper / CARAVELLE GL
705867627G 2XL neptune blue
- 16 705867628F
- trim panel for wing door / right upper / CARAVELLE
705867628F 9UW sahara
705867628F 9XK light grey
- (16) 705867628G
- trim panel for wing door / right upper / CARAVELLE GL
705867628G 2XL neptune blue
- 17 705867633B
- clips
- 18 N 90157501
- panel screw / B4,2X25
- 19 357867169
- cover cap
357867169 3KX neptune blue
357867169 9UW sahara
357867169 9XK light grey
- 20 165827592
- expanding nut / 7MM
- 703868333K
- sealing / inner / ambulance
703868333K 9UW sahara
- 533863288A
- felt strip (self-adhesive) 'order unit 25' / 20X3X880MM
- 705868835
- foam packing (self-adhesive)
- trim panel for crew cab door / double cab
side panel trim
pull handle
- (22) 729867203
- trim panel for crew cab door / left
(plastic)
729867203 1YX flint grey
- (22) 729867203A
- trim panel for crew cab door (fiberboard) / INKS
729867203A 9ZW flint grey
- 22 729867204
- trim panel for crew cab door / right
(plastic)
729867204 1YX flint grey
- (22) 729867204A
- trim panel for crew cab door (fiberboard) / right
729867204A 9ZW flint grey
- (22) 729867305
- side panel trim (fiberboard) / left
729867305 9ZW flint grey
- (22) 729867305A
- side panel trim / left
(plastic)
729867305A 1YX flint grey
- 23 729841395
- pull handle
- 24 N 90252101
- rivetted cap nut / AM6/0,5-3
- 25 N 0141433
- fillister hd. bolt / AM6X22SB
- 29 701867299
- clip
701867299 1YX flint grey
- 703863288A
- felt strip (self-adhesive) 'order unit 25' / 20X3X880MM
- 705868835
- foam packing (self-adhesive)



sliding door

(1) 701843107F
sliding door without window opening / left
adapt with workshop equipment
also use: / 701 843 903
/ 701 843 316
/ 701 947 575

(1) 703843107F
sliding door with window opening / left
adapt with workshop equipment

(1) 7D0843108B
sliding door without window opening / right
adapt with workshop equipment
use if required: / N 016 199 2

1 7D0843108C
sliding door with window opening / right
adapt with workshop equipment
for high sliding door / right
see illustration: / 843-30

2 701843316
stop buffer / 16X21

3 867827500A
stop buffer / 30X22/12
/ rear, lower

(3) 867827500A
stop buffer / 30X22/12
/ rear, upper

4 701843311A
stop for sliding door

(4) 721843312
stop buffer
for high sliding door

5 N 0141485
fillister hd. bolt / M8X15

(5) N 0441682
fillister hd. bolt / M8X22
for high sliding door

6 721843318
stop plate
for high sliding door
c-pillar

7 N 90478601
pop-rivet / A4,8X11
for high sliding door

- N 0147091
allen key head bolt / M8X22
for high sliding door

- N 0147591
allen key head bolt / M6X35
for high sliding door

- N 01152423
washer / A6,4X12,5X1,6
for high sliding door

- N 10172501
allen key head bolt (combi) / M6X22-S4-SP
for high sliding door

4A 721843237
reinforcement plate
for high sliding door

- N 10295201
rivetted cap nut / AM6/5-8

(8) 701843335A
hinge (complete) for sliding door / left

8 701843336A
hinge (complete) for sliding door / right

9 701843401
gasket

10 N 10141701
hexagon head bolt c/w shoulder / M10X25

11 701843505A
side reinforcement

12 N 90594502
torx socket head combi-bolt / M8X18-H

(13) 701843405B
roller guide for sliding door / left lower
also use: / 701 843 411 B

13 701843406B
roller guide for sliding door / right lower
also use: / 701 843 412 B

(14) 701843411B
carrier arm / lower
for vehicles with sliding door / left
also use: / 701 843 405 B

14 701843412B
carrier arm / lower
for vehicles with sliding door / right
also use: / 701 843 406 B

15 N 0141485
fillister hd. bolt / M8X15

17 701843440
carrier / upper / TRANSPORTER

(17) 705843439
carrier / left upper

(17) 705843440
carrier / right upper

18 N 0147405
allen key head bolt / M6X16

19 701843436
roller guide for sliding door / upper / TRANSPORTER

(19) 705843436B
roller guide for sliding door / upper
705843436B 01C satin black
705843436B 9XK light grey
705843436B 9UW sahara

20 N 0147035
allen key head bolt / M6X18

21 N 0154041
washer / 6,4

(25) 701843603D
central lock for sliding door / left

25 701843604D
central lock for sliding door / right
also use: / 7D0 837 767 D

26 191837199
clip

27 N 10167002
countersunk bolt / M8X35

28 N 0330342
countersunk bolt / M8X45

(31) 701843641B
door inner operating lever / left
/ black

(31) 721843642A
door inner operating lever / right
721843642A 01C satin black

(31) 721843642A
door inner operating lever / right
for high sliding door
721843642A 01C satin black

32 N 0142783
oval head countersunk bolt / AM6X18

(34) 701843653B
remote control lock / left

(34) 701843653C
remote control lock with child-proof catch / left

34 7D1843654D
remote control lock / right

(34) 7D1843654E
remote control lock with child-proof catch / right

35 191837199
clip

36 N 0147506
allen key head bolt / M6X10

37 701843687
collar

39 701843667
catch plate

40 701843683
distance plate

41 N 0331772
countersunk bolt / M8X30

42 701947575
limit stop
for sliding door

(45) 701843703B
door handle, outer / left

(45) 701843703C
door handle exterior (safety lock) / left

45 7D0843704A
door handle, outer / right
/ 50MM

(45) 7D0843704B
door handle exterior (safety lock) / right
/ 50MM

(45) 7D0843704A
door handle, outer / right
for high sliding door / 50MM

(45) 7D0843704B
door handle exterior (safety lock) / right
/ 50MM
for high sliding door

- 701898081C
set of locks for sliding door, right and flap, rear
(safety lock)

- 721898081
set of locks for sliding door, right and wing doors.rear
(safety lock)
for high sliding door

46 701837061C
lock cylinder for door handle without tumblers and key
system 'b' profile ah
for lock combination numbers: 1001-2000,3001-4000,6001-7086, 8201-9282

(46) 701843709A
lock cylinder / left
(safety lock)

(46) 701843710
lock cylinder / right
(safety lock)

47 443898041A
1 set: tumbler plates for lock cylinder / 13,5MM

47A G 052778A2
lock cylinder lubricant spray / 50ML
servicing materials

(48) 701843729B
tensioning clip / left

48 701843730B
tensioning clip / right

49 N 0141485
fillister hd. bolt / M8X15
see illustration: / 837-00

54 701843747
clip

55 701843719A
pull rod for remote control lock / left
/ 925,5MM

(55) 7D0843719B
pull rod for remote control lock / right
/ 1047,5MM

(55) 705843719A
pull rod for remote control lock / left / BUS

(55) 7D0843720
pull rod for remote control lock / right / bus
/ 1047MM

(55) 7D0843719C
pull rod for remote control lock / right
for high sliding door

55A 533863288A
felt strip (self-adhesivel) 'order unit 25' / 20X3X880MM

(56) 701843725A
pull rod / left

(56) 705843725A
pull rod / left / BUS

56 701843726
pull rod / right

(56) 705843726
pull rod / right / BUS

57 357837187
knob for locking rod
357837187 01C satin black

58 701837355
collar
701837355 01C satin black

60 281843821A
covering

61 N 0140942
oval hd. csk. self-tapp. screw / ST4,2X16-C

62 701827286B
staple for padlock

63 701827286
staple for padlock

64 701843637
catch plate
F 70-T-045 001>>*

65 N 10084701
countersunk bolt / M8X18
F 70-T-045 001>>*

66 701843841
detent peg
F 70-T-045 001>>*

67 N 10084701
countersunk bolt / M8X18
F 70-T-045 001>>*

68 701843637
catch plate
F 70-T-045 001>>*

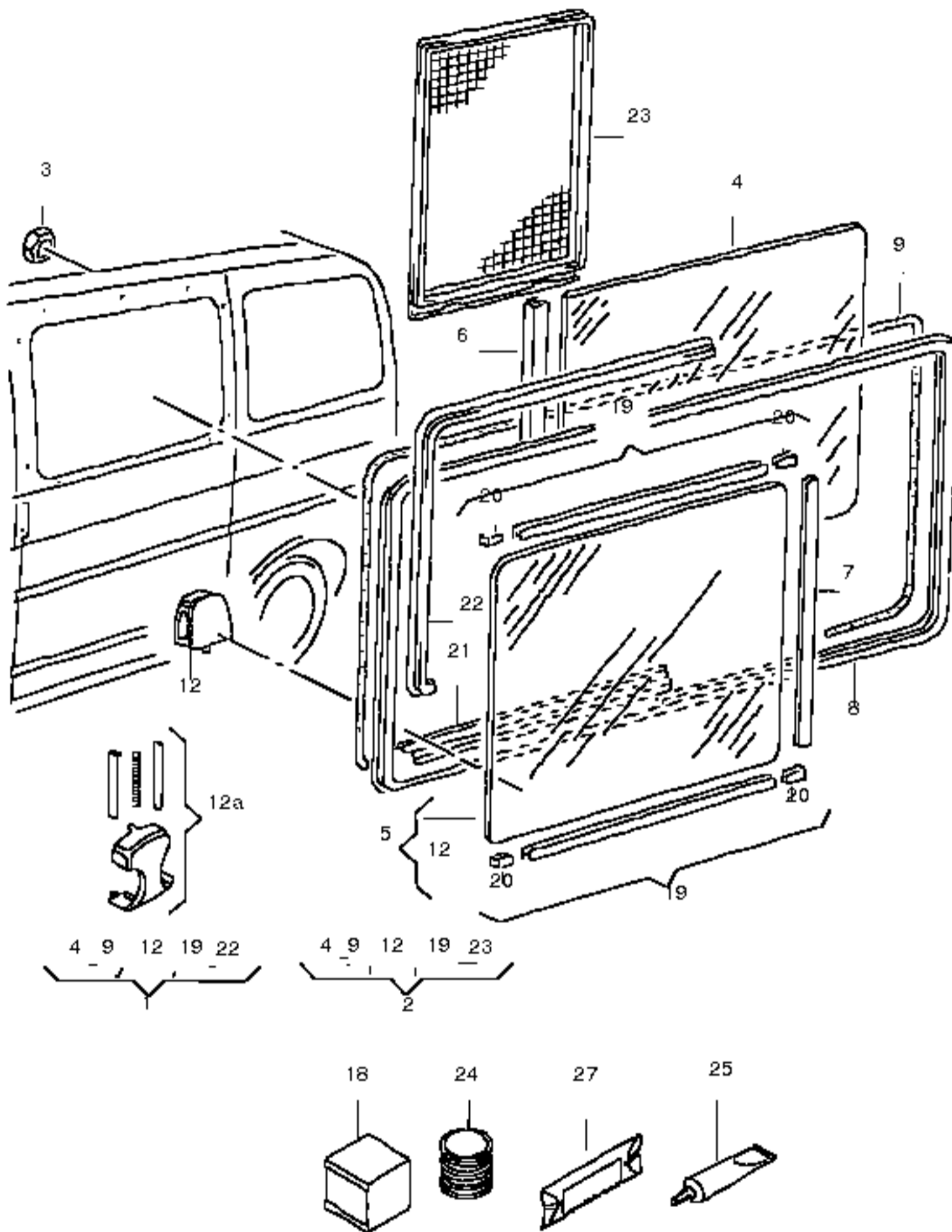
69 N 10084701
countersunk bolt / M8X18
F 70-T-045 001>>*

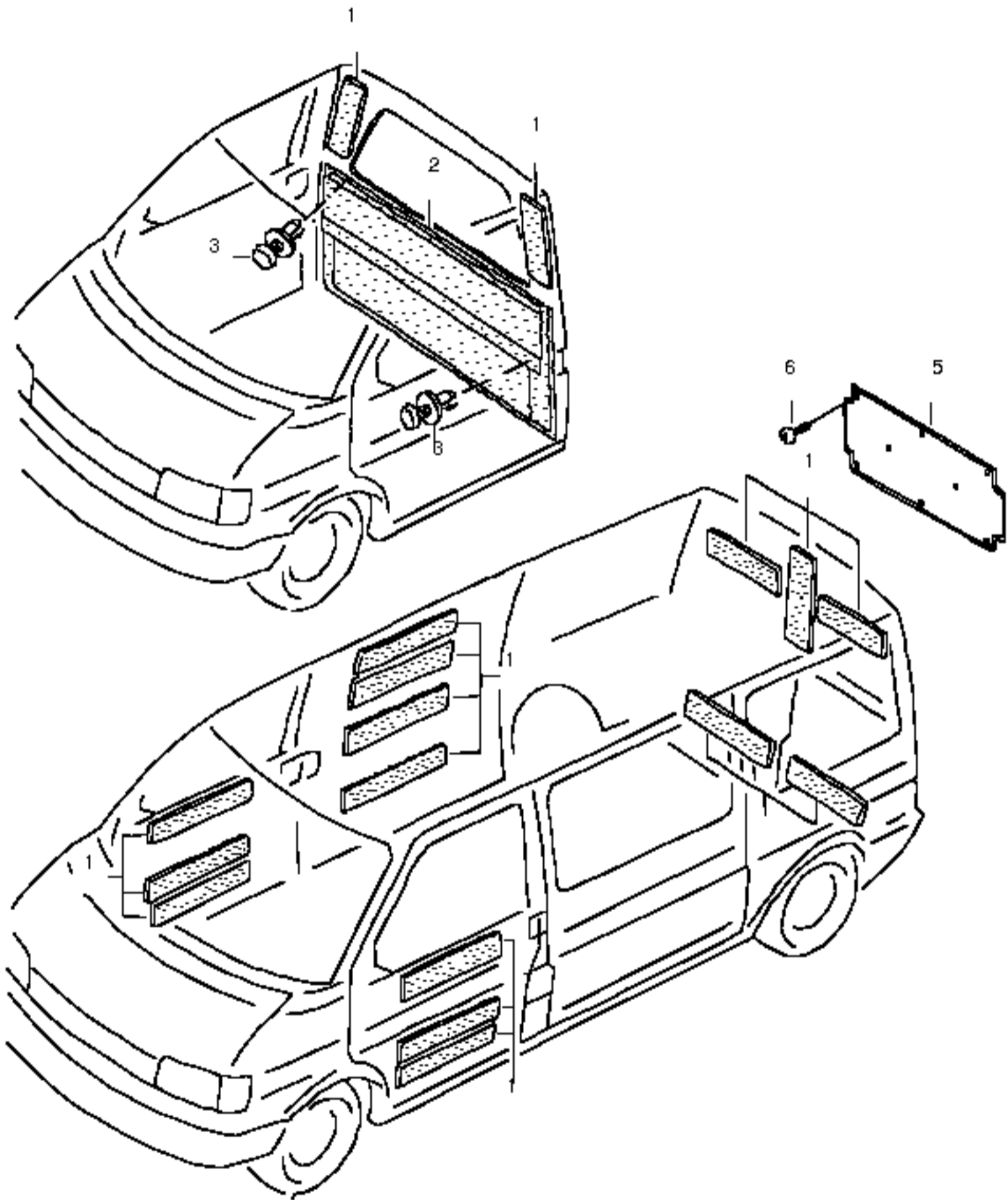
70 701843841
detent peg
F 70-T-045 001>>*

71 N 10084701
countersunk bolt / M8X18
F 70-T-045 001>>*

72 701843903
plug / M8
F 70-T-045 001>>*

(72) 701810903
plug
F 70-T-045 001>>*



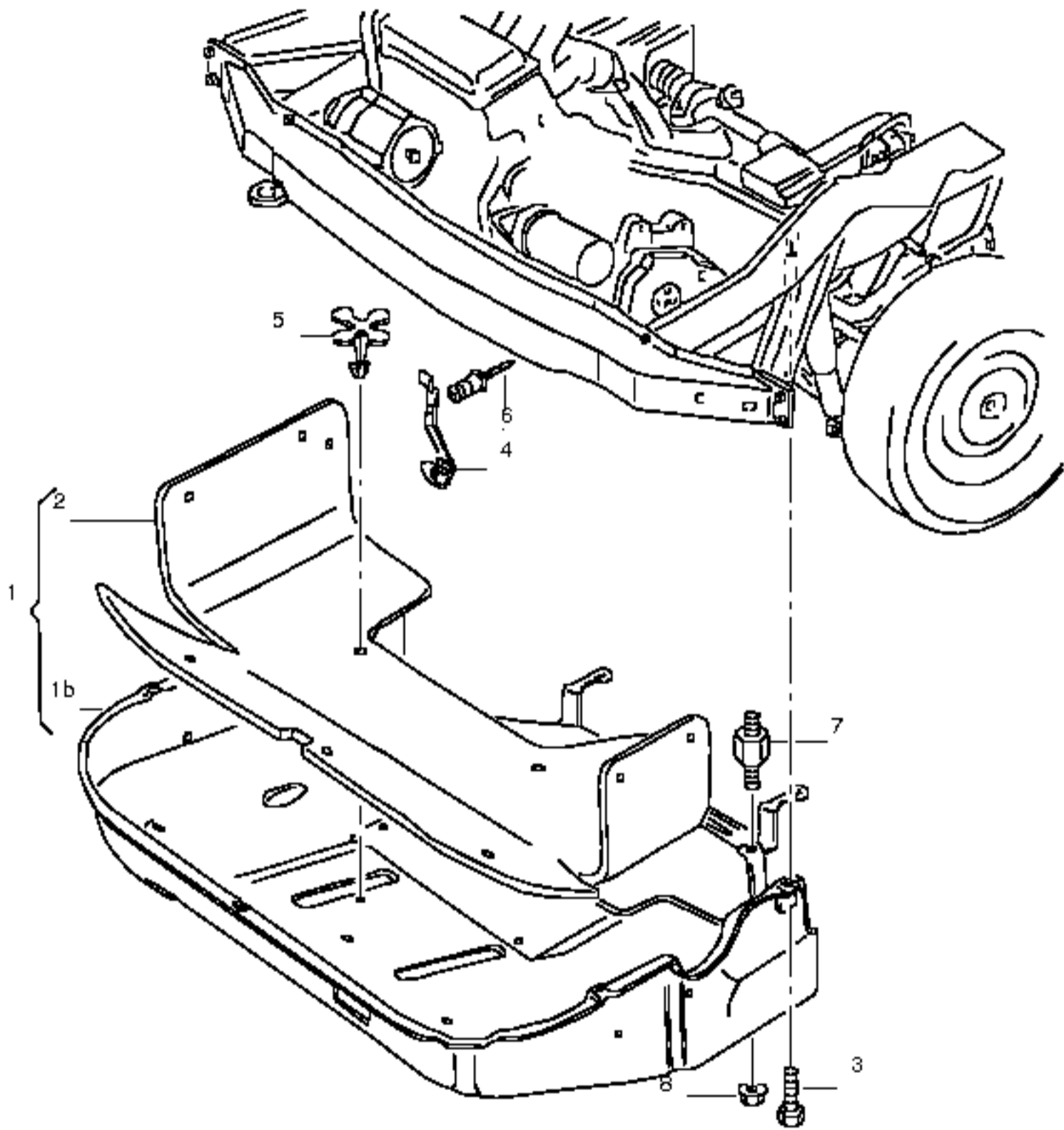


sound absorber for side panel
tailgate / boot lid
sound absorber
make up from: / 323 863 950

- 323863950
sound absorber (self-adhesive) 'order unit 6' / 550X250X2

- 000863421
plastic foam block / 300X200X40
/ grey

- 7D1864987A
sound absorber for side wall / 1120X354X30
rework if necessary



sound deadener

1 -----

no longer available

1B 7D0805685L

damping pan

(1B) 7D0805685N

damping pan / TDI

(1B) 7D0805685K

damping pan / TDI

2 7D0805696E

sound absorber / 5 cylinder

rework if necessary

3 N 90481701

hexagon head bolt (combi) / M8X20

4 701805817A

spring clamp

6 N 90478601

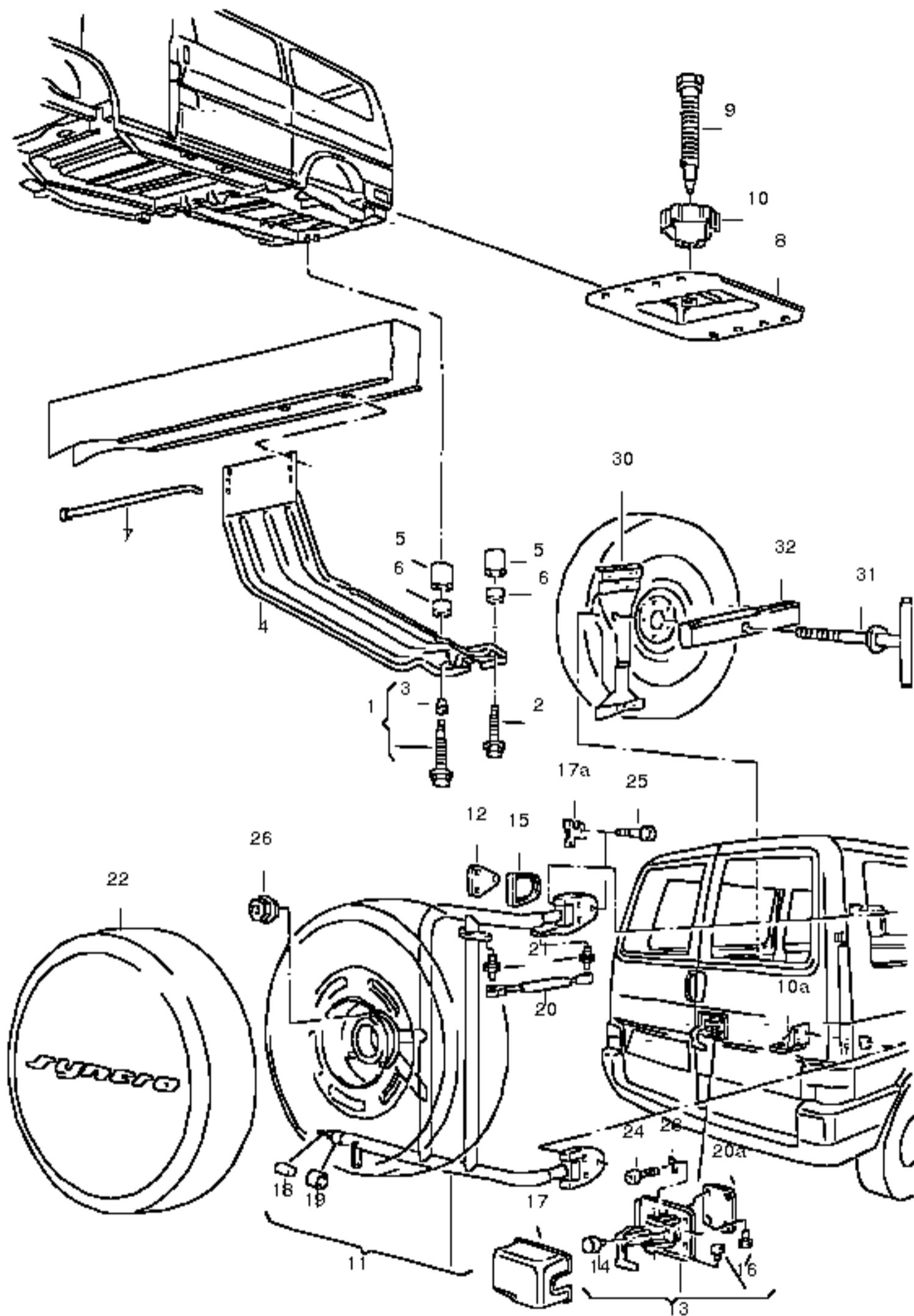
pop-rivet / A4,8X11

7 191201256

bonded rubber mounting

8 N 90175203

hexagon nut, shouldered / M6



spare wheel bracket
 spare wheel bracket / rear / delivery van
 / kombi van
 / bus
 / pick-up
 / double cab

1 701801651A
 hexagonal head bolt / 90MM
 for models with tyre size: / 215
 for alum. wheel

(1) 701801651B
 hexagonal head bolt / 58MM
 for models with tyre size: / 185/195/205

2 701801657B
 hexagonal head bolt / 90MM
 for models with tyre size: / 215
 for alum. wheel

(2) 701801657D
 hexagonal head bolt / 52MM
 for models with tyre size: / 185/195/205

- 701804719A
 threaded bush / 72,5MM
 for:
 spare wheel mounting

3 701801658
 spring clamp

4 701801901
 spare wheel bracket

5 701801913
 spacer sleeve
 for models with tyre size: / 205/215

6 701801917B
 bush
 for models with tyre size: / 205
 for wheel disc 'steel'

(6) 701801917C
 bush
 for models with tyre size: / 215
 for alum. wheel

(6) 701801917D
 bush
 for models with tyre size: / 205
 for alum. wheel

7 701801949
 retaining rod

 spare wheel bracket / inner

8 703803655A
 spare wheel bracket
 for horizontal spare wheel / centre inner
 or / left

9 703803657A
 hexagonal head bolt
 for horizontal spare wheel / centre inner
 or / left

10 703803899A
 nut for spare wheel mounting

 for horizontal spare wheel / centre inner
 or / left

- 703803721A
 trim panel for spare wheel / upper

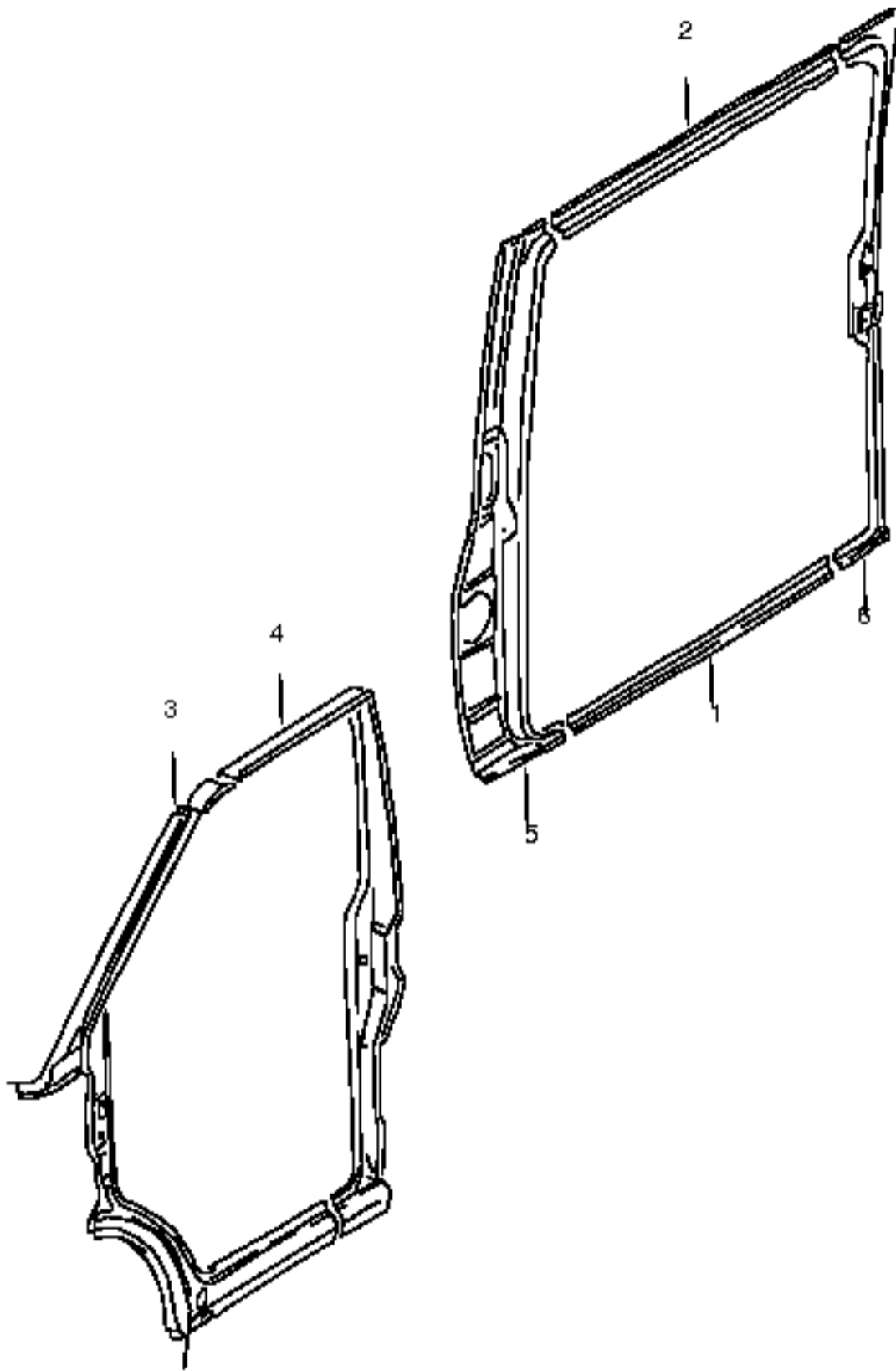
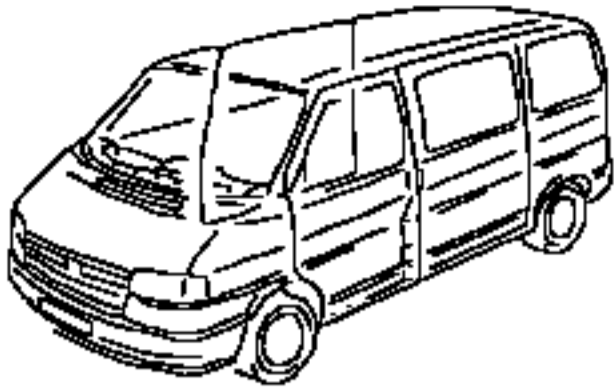
- 703803722
 spare wheel recess / lower
 for horizontal spare wheel

spare wheel bracket / side

30 7D1810385B
 spare wheel bracket / left

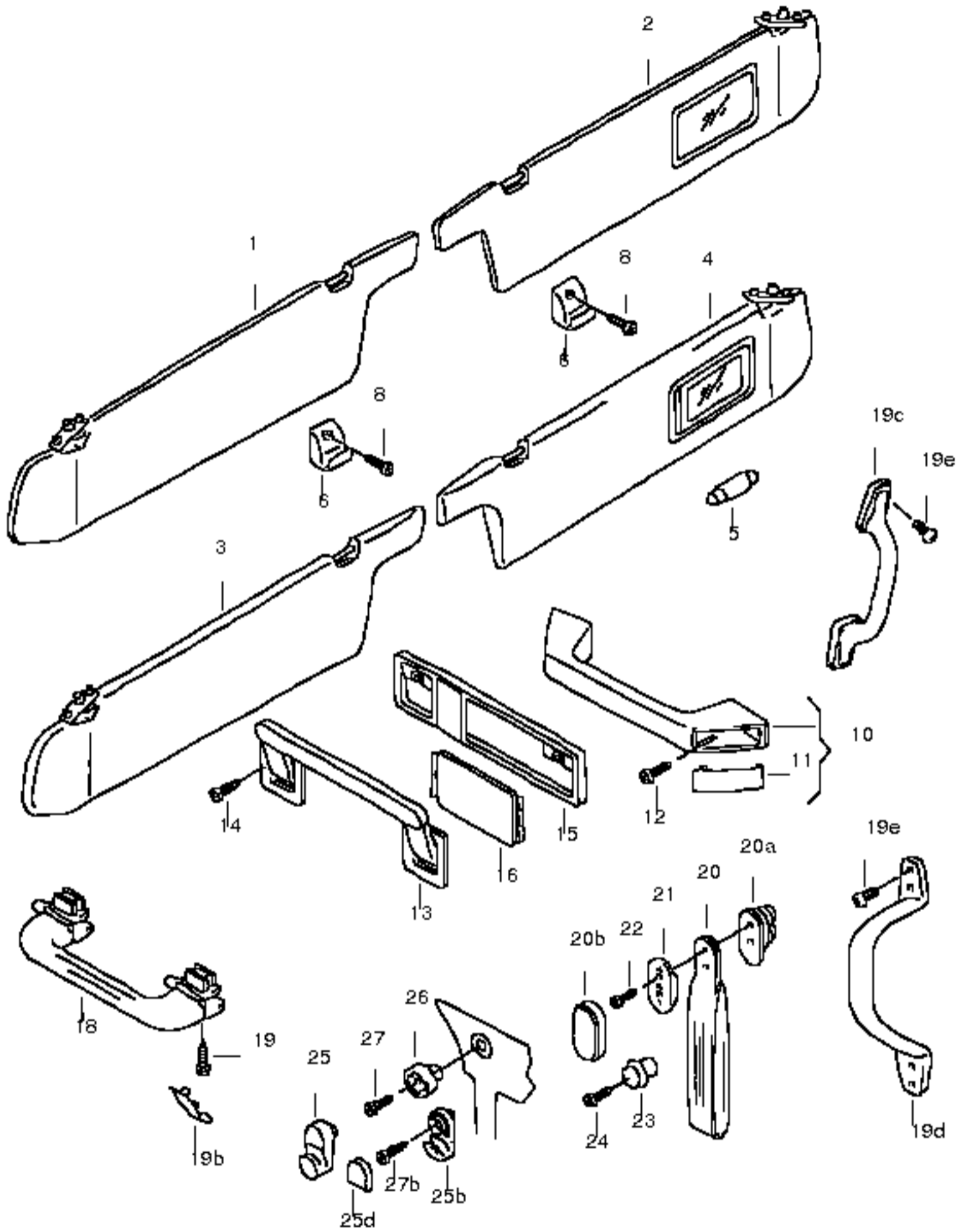
31 251813691B
 wing screw
 spare wheel mounting

32 251813695A
 strip



sub-parts

- (1) 701809833A
sub-part - sliding door cut-out / left lower
- 1 701809834A
sub-part - sliding door cut-out / right lower
- (2) 701809835A
sub-part - sliding door cut-out / left upper
- 2 701809836A
sub-part - sliding door cut-out / right upper
- (3) 701809839B
sub-part - pillar a / left
- 3 701809840B
sub-part - pillar a / right
- 4 701809841A
sub-part: b-pillar / left
frame
driver's door
- (4) 701809842A
sub-part: b-pillar / right
frame
driver's door
- (5) 701809843B
sub-part - sliding door cut-out / left front
- (5) 701809844B
sub-part - sliding door cut-out / right front
/ outer
use if required: / 701 810 903
- 701810903
plug
- 701810099
frame / left
sliding door side
- (6) 701809845A
sub-part - sliding door cut-out / left rear
- 6 701809846A
sub-part - sliding door cut-out / right rear
rear panel
partitions
see illustration: / 863-90



sun vizors
 grab handle
 roller blind for sliding window / ambulance
 see illustration: / 859-30

(3) 705857551P
 sun vizor with mirror / left rhd
 705857551P 8ZZ grey
 705857551P 9ZZ beige

(3) 705857551G
 sun visor with illuminated mirror and cover / left
 705857551G 8ZZ grey
 705857551G 9ZZ beige

(3) 705857551H
 sun vizor without mirror / left
 705857551H 9ZZ beige

(4) 705857552P
 sun vizor with mirror / right lhd
 705857552P 8ZZ grey
 705857552P 9ZZ beige

(4) 705857552G
 sun visor with illuminated mirror and cover / right
 705857552G 8ZZ grey
 705857552G 9ZZ beige

(4) 705857552H
 sun vizor without mirror / right
 705857552H 9ZZ beige

5 N 90469701
 bulb / M12V3W

6 705857561
 bracket for sun visor
 705857561 4YX grey
 705857561 5YX beige

8 N 0139649
 oval head panel screw / ST4,2X16-C

10 251857607
 grab handle / fire brigade
 / ambulance
 251857607 01C satin black

(10) 221883809C
 grab handle / right rear / ambulance
 for models with wheelbase: / 3320MM
 221883809C 043 grey black

11 251857617
 cover cap / fire brigade
 / ambulance
 251857617 01C satin black

12 N 0139694
 oval head panel screw / B4,8X16 / fire brigade

(12) N 0139734
 oval head panel screw / BZ5,5X13 / ambulance
 / lower

(12) N 0139741
 oval head panel screw / B5,5X19 / ambulance
 / upper

13 255857607
 grab handle, folding / fire brigade
 255857607 01C satin black

14 N 0139729
 oval head panel screw / ST4,8X25-C

15 253857613
 frame / fire brigade
 grab handle

16 443857667
 cover cap / fire brigade
 443857667 01C satin black

18 705857607
 grab handle, folding
 705857607 01C satin black
 705857607 3KX neptune blue
 705857607 9XK light grey

(18) 7D0857607
 grab handle, folding
 7D0857607 6PE sahara

19 N 90434501
 panel screw / 5X17
 no replacement part

20 861857611
 hand strap
 861857611 01C satin black

21 861857637
 coat hook

22 N 0141001
 oval hd. csk. self-tapp. screw / ST4,8X25-C

23 255857629
 coat hook
 255857629 01C satin black

24 N 0139612
 oval head panel screw / ST3,9X13-F
 discontinued / replacement: / 701 857 629 B
 / 701 858 633
 / in appropriate colour .

25B 701857629B
 coat hook
 701857629B 01C satin black
 701857629B 3KX neptune blue
 701857629B 9UW sahara
 701857629B 9XK light grey

25D 701858633
 cover cap
 701858633 01C satin black
 701858633 3KX neptune blue
 701858633 9UW sahara
 701858633 9XK light grey

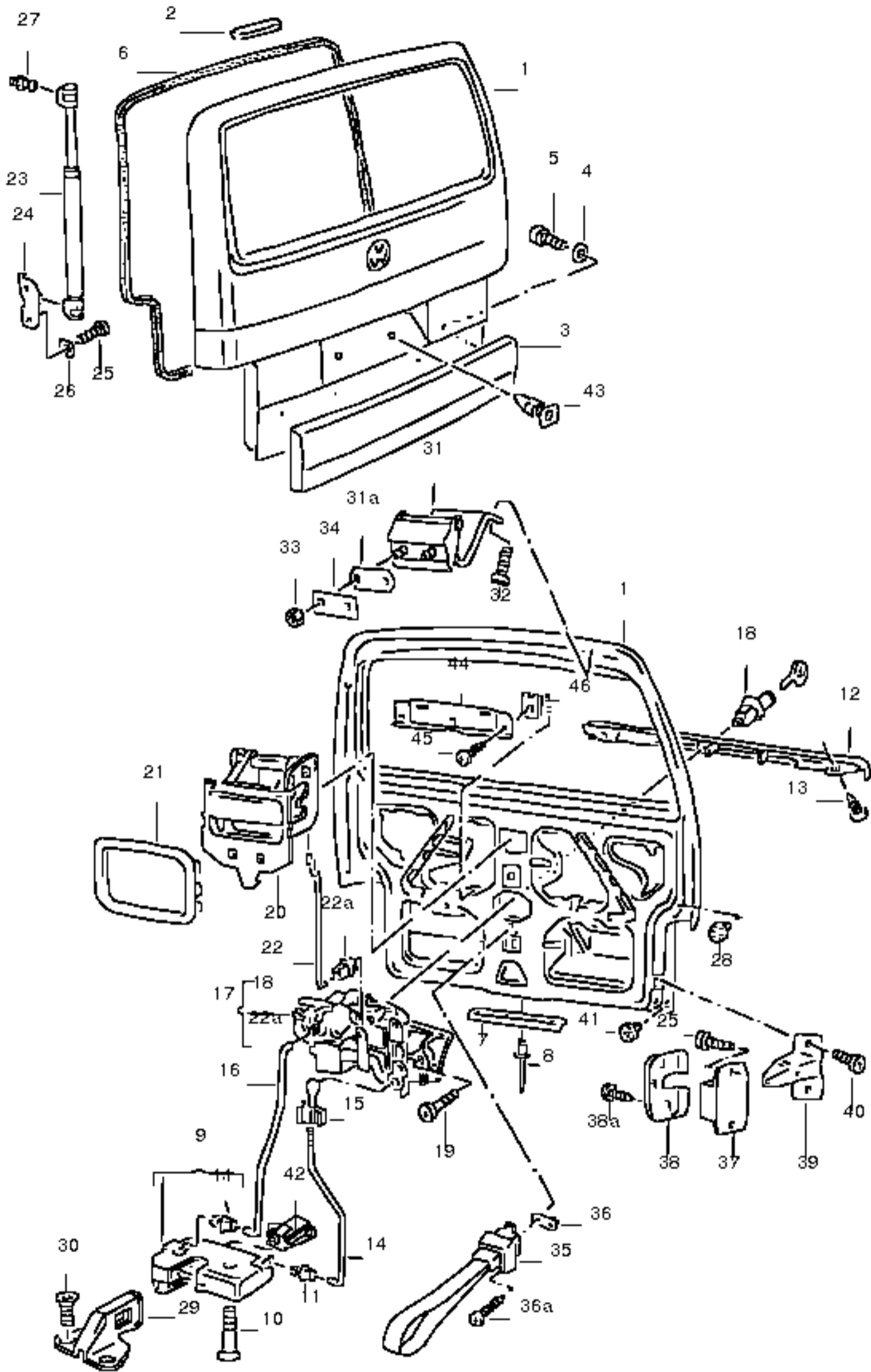
26 701857639
 mounting
 coat hook
 701857639 01C satin black

- 705857639
 expanding nut
 see illustration: / 867-60

27 N 0139649
 oval head panel screw / ST4,2X16-C

(27B) N 0139649
 oval head panel screw / ST4,2X16-C

27B N 90157601
 oval head panel screw / B4,2X45



tailgate/boot lid panel

1 701829105AN
rear panel flap with window aperture

(1) 701829105AM
rear panel flap without window aperture

2 251853707D
protective edging / 3348MM
shorten to: / 133MM
251853707D 1BG graphite
no replacement part

6 721827705B
gasket
adapt with workshop equipment

7 701829199B
stop channel
gasket

8 N 90478601
pop-rivet / A4,8X11

9 701829211J
flap - lock / inner
also use: / 701 827 537 E

- 701827537E
striker plate / upper

10 N 0330342
countersunk bolt / M8X45

11 191837199
clip

12 701829213D
grip molding
701829213D 01C satin black

13 N 0139351
oval head panel screw / B6,3X25

14 701829217A
pull rod / 285MM

15 357827637A
clip

16 705829218A
pull rod / BUS,
flap - lock / camp- mobile

17 703829239E
flap - lock / satin black

(17) 701829239F
flap - lock / satin black
(safety lock)

(17) 701829239G
flap - lock / "D..":
/ BUNDESWEHR
701829239G 01C satin black

- 701829491
knob / red

18 701827573
lock cylinder
(safety lock)

(18) 701837061D
lock cylinder for door handle without tumblers and key / rear
system 'b' profile ah
for lock combination numbers: 1001-2000,3001-4000,6001-7086, 8201-9282

19 N 0441511
fillister hd. bolt / BM8X40X34

20 705829309A
door inner operating lever
also use: / 705 829 323 C
705829309A 01C satin black

- 705829323C
pull rod for interior release mechanism

21 705829313
trim / BUS,
/ MULTIVAN,
/ camp- mobile
705829313 01C satin black

22 705829323B
pull rod for interior release mechanism

22A 171837199
clip

23 7D0829331D
gas-filled strut / 710N

(23) 7D0829331E
gas-filled strut / 770N
for vehicles with wipe-wash system for rear window
marked with: / 2 paint marks

(23) 7D0829331G
gas-filled strut / 910N
for vehicles with moulded lining
for vehicles with wipe-wash system for rear window
rear window glass(insul.glass)
marked with: / 4 paint marks

(23) 7D0829331F
gas-filled strut / 830N
for vehicles with moulded lining
marked with: / 3 paint marks

(23) 701829331T
gas-filled strut / HYDRO-LIFT
/ 460N

- 443823397
clips
gas-filled strut

24 701829451
ball pin

25 N 0141405
fillister hd. bolt / M6X15

26 N 01152423
washer / A6,4X12,5X1,6

27 701827439B
ball pin

(28) 357827500
stop buffer
protective foil
make up from: / AKL 448 300 04

- AKL44830004
protective foil / 290X210MM

29 701827537A
striker plate
cover for lock carrier
see illustration: / 863-05

30 N 90322901
oval head countersunk bolt / M8X18

- 701827263A
reinforcement for apron / center
see illustration: / 801-10

31 701829641E
hinge

31A 701829389C
reinforcement plate / 55X28X4MM

32 N 0441682
fillister hd. bolt / M8X22

33 N 0110088
hexagonal nut / M8
gasket
make up from: / 701 827 157 D

- 701827157D
gasket

35 7D0829621
loop
also use: / N 904 792 01
/ N 014 133 5
/ N 011 523 18
7D0829621 01C satin black

- N 90479201
rivetted cap nut / M5/0,5-3-B

- N 0141335
fillister hd. bolt / M5X12

- N 01152318
washer / A5,3X10X1

- N 0141565
fillister hd. bolt / M5X30
for vehicles with moulded lining

(35) 7D0829621A
loop / bus
for vehicles with moulded lining
also use: / N 904 792 01
/ N 014 156 5
/ N 011 523 18
7D0829621A 01C satin black

36 701829623
clip

36A N 0139713
oval head panel screw / B4,8X22 / bus

(36A) N 0139383
oval head panel screw / B4,8X38 / bus

37 701829721C
guide

(38) 701829725A
cover cap / left
701829725A 01C satin black

38 701829726A
cover cap / right
701829726A 01C satin black

(38) 705829725A
cover cap / left / BUS,CAMPER
705829725A 01C satin black

(38) 705829726A
cover cap / right / BUS,CAMPER
705829726A 01C satin black

38A N 01396626
oval head panel screw / 4,2X13STC

39 701829733
guide piece / left

(39) 701829734
guide piece / right

- 701829581
spacer plate

40 N 90598804
torx socket fillister hd. bolt / M6X12-H

41 N 0200223
plug / A8X1

42 535959665
switch / front

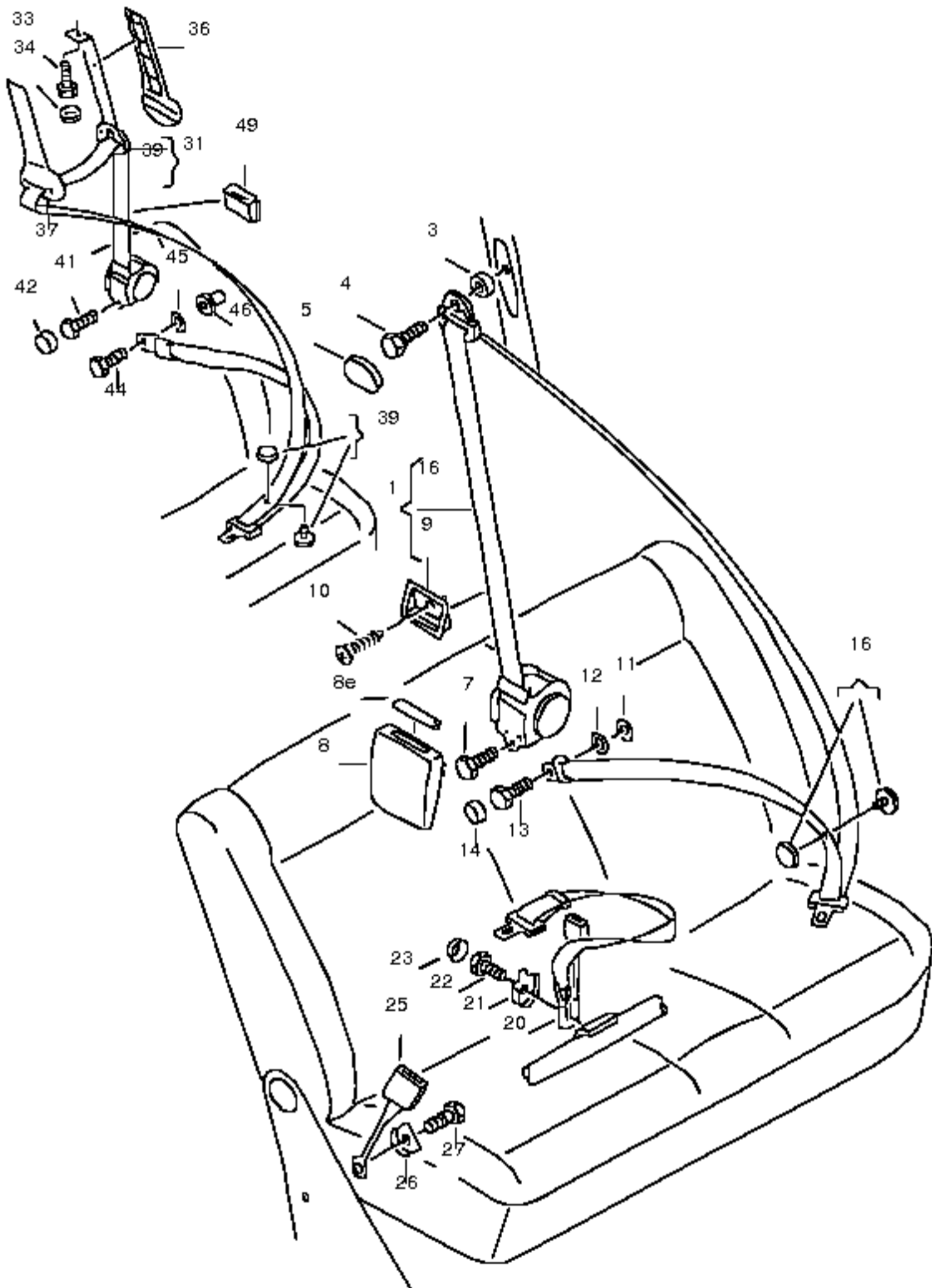
43 357868143
insert nut / 8MM

44 701829242
reinforcement plate
wiper motor

45 N 0139771
oval head panel screw / B6,3X16

46 N 0154491
snap nut / ST6,3X24,5X15

- 323863950
sound absorber (self-adhesive) 'order unit 6' / 550X250X2



three-point seat belt

lap belt
for passenger compartement
2 seater
1. seat bench

- 703857837B
belt guide

1 705857811D
three-point seat belt / left
705857811D 01C satin black

(1) 705857811A
three-point seat belt / left
sliding door side
705857811A 01C satin black

(1) 705857812
three-point seat belt / right
sliding door side
705857812 01C satin black

(1) 705857812D
three-point seat belt / right
705857812D 01C satin black

3 271857767
spacer sleeve / 11,5MM

(3) 331857767
spacer washer / 14MM

(3) 705857790
spacer bush / 22MM

4 803019811B
hexagonal head bolt / 7/16"X36,5

(4) 705857757
hexagonal head bolt / 7/16"X46,5

5 357857719
cover cap
357857719 01C satin black

7 111857799A
hexagonal head bolt / 7/16"X20

8 703857827
cover for pillar c / left
belt guide
703857827 01C satin black

(8) 703857828
cover for pillar c / right
belt guide
703857828 01C satin black

8E 705858829
cap
belt guide
for vehicles with lap belt
705858829 01C satin black

9 705857827
belt guide
705857827 01C satin black

(9) 705857828
belt guide
sliding door side
705857828 01C satin black

10 N 0139649
oval head panel screw / ST4,2X16-C

11 803019825B
spacer sleeve

12 705857845C
spacer sleeve

13 111857793E
hexagonal head bolt

(14) 281857797
cover cap
281857797 01C satin black

16 443857847B
knob
443857847B 4PK soul (black)

20 703857821
lap belt with press button buckle
(sliding door, right)
703857821 01C satin black

(20) 703857813J
lap belt with inertia reel and press button buckle
(sliding door, right)
703857813J 01C satin black

(20) 703857822A
lap belt with press button buckle
(sliding door, left)
703857822A 01C satin black

21 165857900
cover cap

22 803019837
hexagonal head bolt / 7/16"X35

23 811857845
cover cap
811857845 01C satin black

(23) 281857797
cover cap
281857797 01C satin black

25 703857743
flexible lock
703857743 01C satin black

26 165857900
cover cap

27 111857799
hexagonal head bolt / 7/16"X25

2. seat bench

31 703857815
three-point seat belt
for models with wheelbase: / 2920MM
703857815 01C satin black

(31) 705857815
three-point seat belt
for vehicles with 2nd evaporator
for models with wheelbase: / 2920MM
705857815 01C satin black

(31) 723857815
three-point seat belt
for models with wheelbase: / 3320MM
723857815 01C satin black

33 111857799A
hexagonal head bolt / 7/16"X20

(34) 281857797
cover cap
281857797 01C satin black

36 703857717
covering / left outer
703857717 01C satin black

(36) 703857718
covering / right outer
703857718 01C satin black

37 703857719
covering / left inner
703857719 01C satin black
703857719 3KX neptune blue
703857719 9UW sahara
703857719 9XK light grey

(37) 703857720
covering / right inner
703857720 01C satin black
703857720 3KX neptune blue
703857720 9UW sahara
703857720 9XK light grey

39 443857847B
knob
443857847B 4PK soul (black)

41 111857799A
hexagonal head bolt / 7/16"X20

(42) 281857797
cover cap
281857797 01C satin black

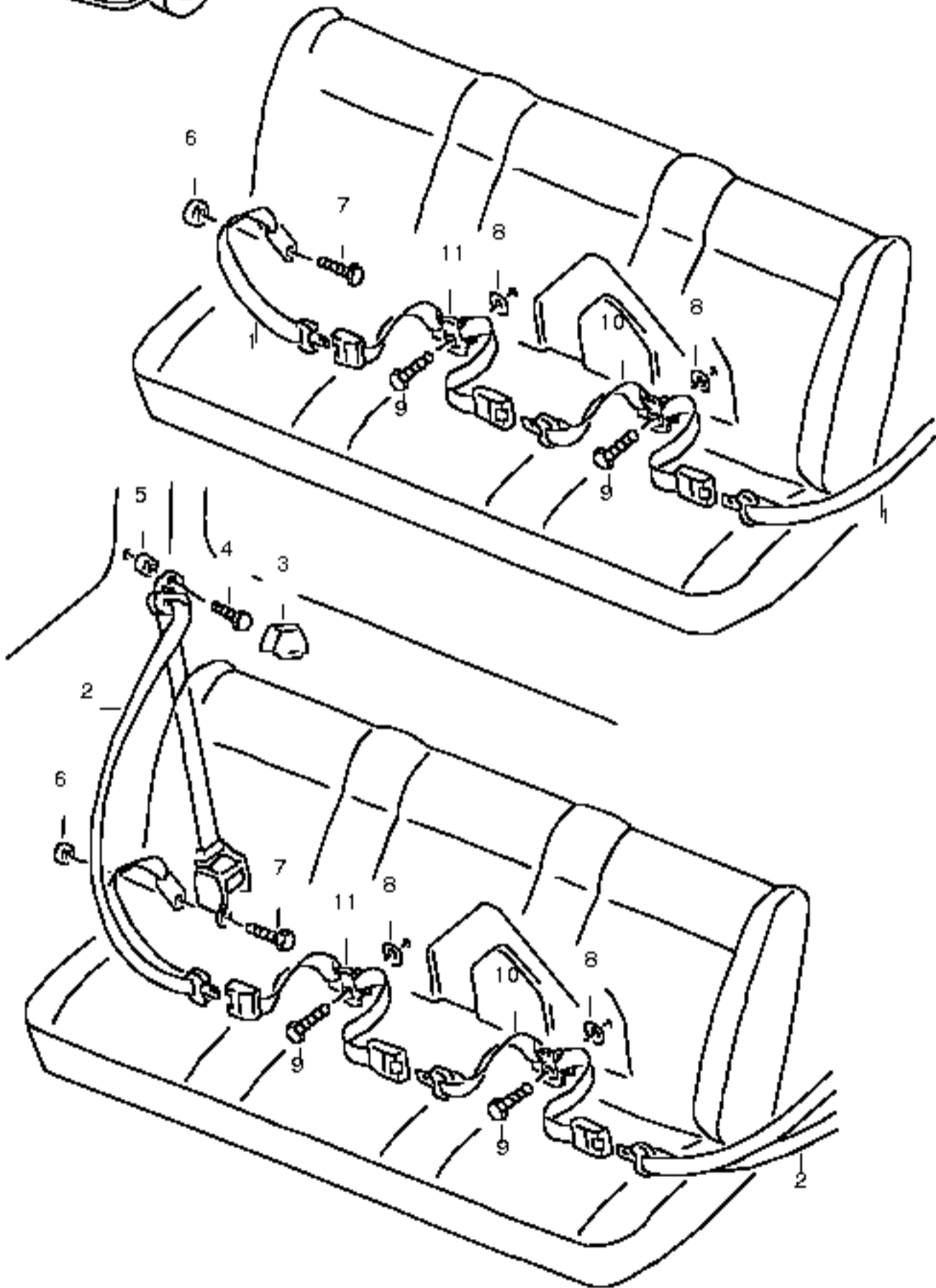
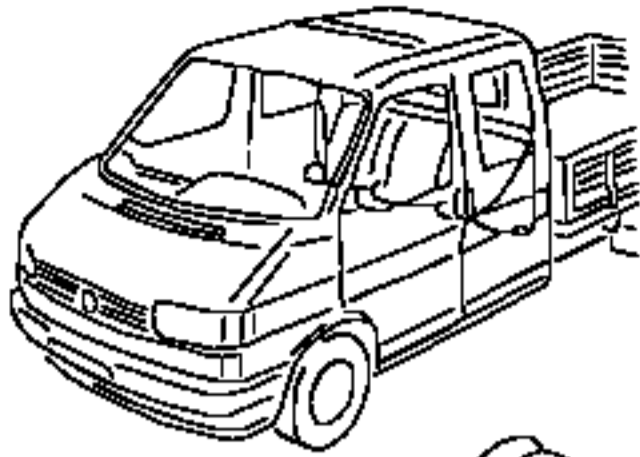
44 111857799
hexagonal head bolt / 7/16"X25

45 803019825B
spacer sleeve / 5MM

46 705857845
spacer sleeve / 26MM
for models with wheelbase: / 3320

49 703857747
belt guide
adapt with workshop equipment
only for: / 703 857 815
/ (01C)
703857747 01C satin black

(49) 705857748
trim
belt guide
adapt with workshop equipment
for vehicles with 2nd evaporator
705857748 01C satin black



three-point seat belt / double cab
lap belt
for passenger compartement

- 729858783
reinforcement for seat belt mounting / center

1 729857713
lap belt / outer
729857713 01C satin black

2 729857815
three-point seat belt
729857815 01C satin black

3 357857719
cover cap
357857719 01C satin black

4 111857793E
hexagonal head bolt

5 803019825B
spacer sleeve

6 810019829
spacer washer / 11,2X17X8,5

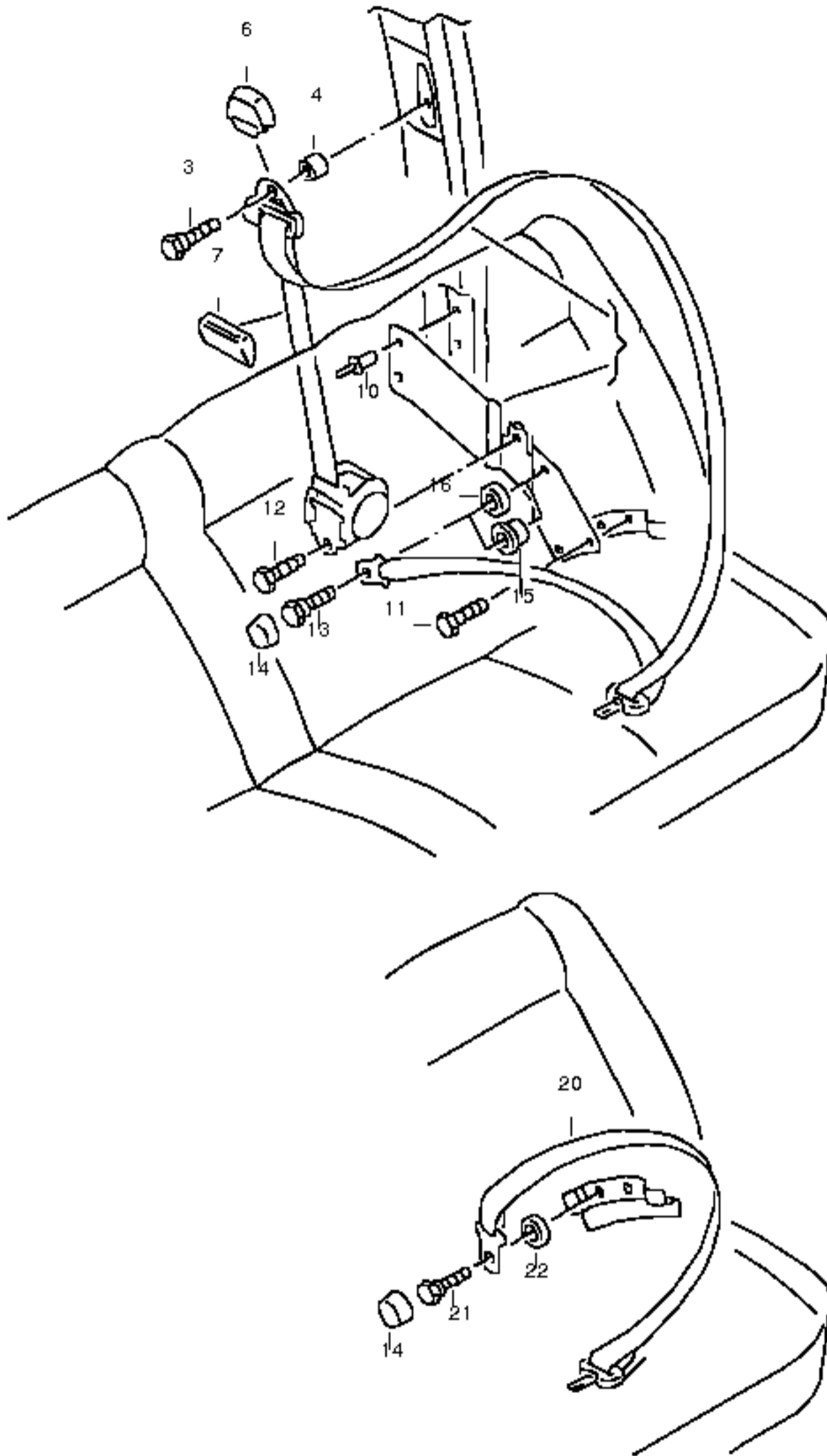
7 803019837
hexagonal head bolt / 7/16"X35

8 111857779
gasket / 28X10,4X1,5

9 111857799
hexagonal head bolt / 7/16"X25

10 729857823
lap belt with press button buckle
729857823 01C satin black

11 729857824
double press button buckle
729857824 01C satin black



three-point seat belt
 lap belt
 for passenger compartement / 3. seat bench
 for models with wheelbase: / 3320MM
 for passenger compartement / 2. seat bench / fire brigade
 for models with wheelbase: / 3320MM
 lap belt and press button buckle
 see illustration: / 857-80,857-85

1 723857815A
 three-point seat belt / left
 723857815A 01C satin black

(1) 723857816A
 three-point seat belt / right
 723857816A 01C satin black

3 705857757
 hexagonal head bolt / 7/16"X46,5

(3) 111857793C
 hexagonal head bolt / 7/16"X30 / fire brigade

4 705857790
 spacer bush / 22MM

6 357857719
 cover cap
 357857719 01C satin black

7 703857747
 belt guide
 adapt with workshop equipment
 703857747 01C satin black

10 -----,
 discontinued / replacement: / 211 831 701 B

- 211831701B
 oval head countersunk bolt / M8X22

11 111857799A
 hexagonal head bolt / 7/16"X20

12 111857799A
 hexagonal head bolt / 7/16"X20

13 N 98910301
 fitted bolt / 7/16"-20UNFX
 / 34,5

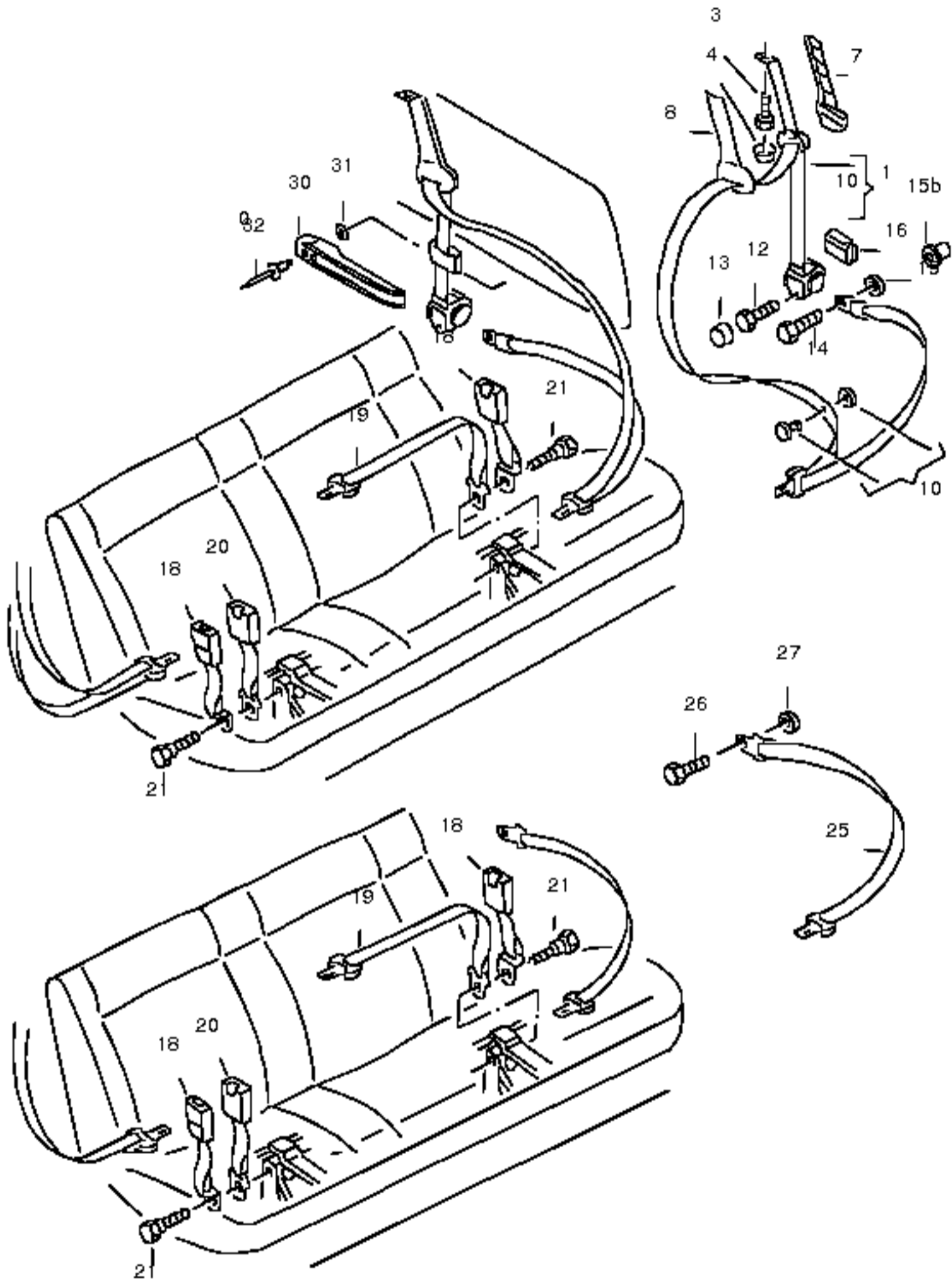
(14) 281857797
 cover cap
 281857797 01C satin black

15 705857845
 spacer sleeve / 26MM / CARAVELLE
 shorten to: / 12MM

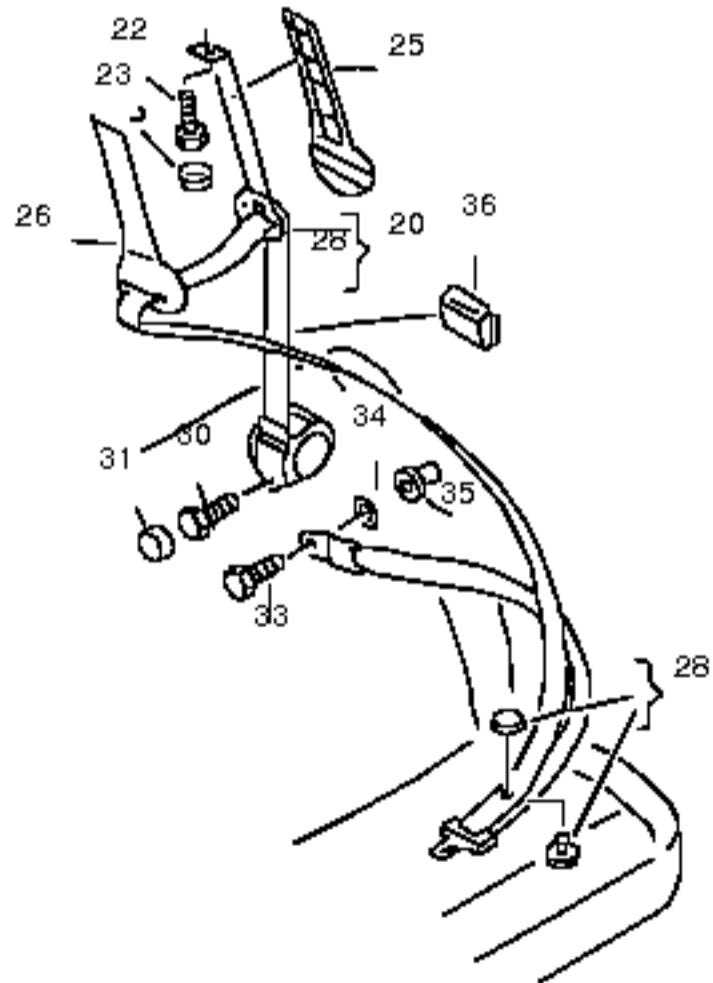
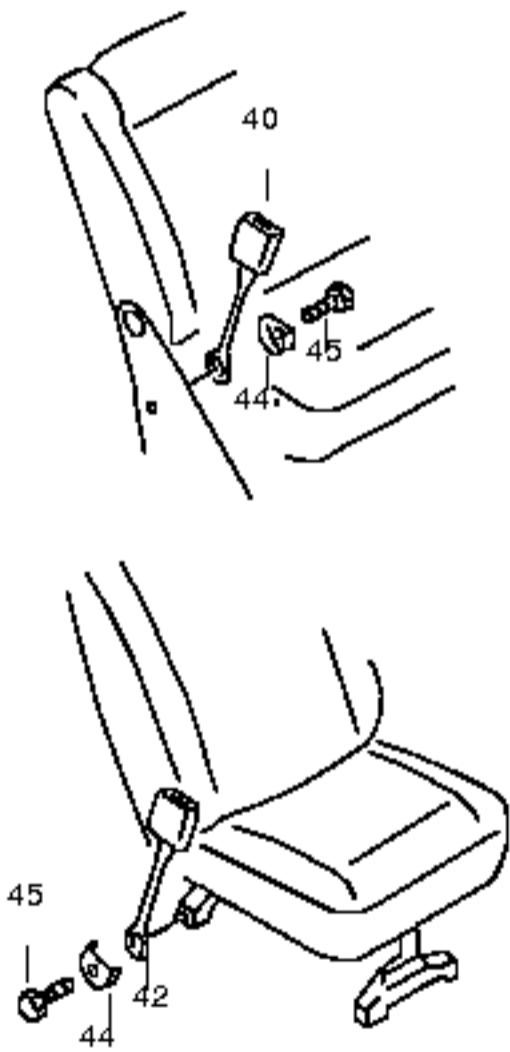
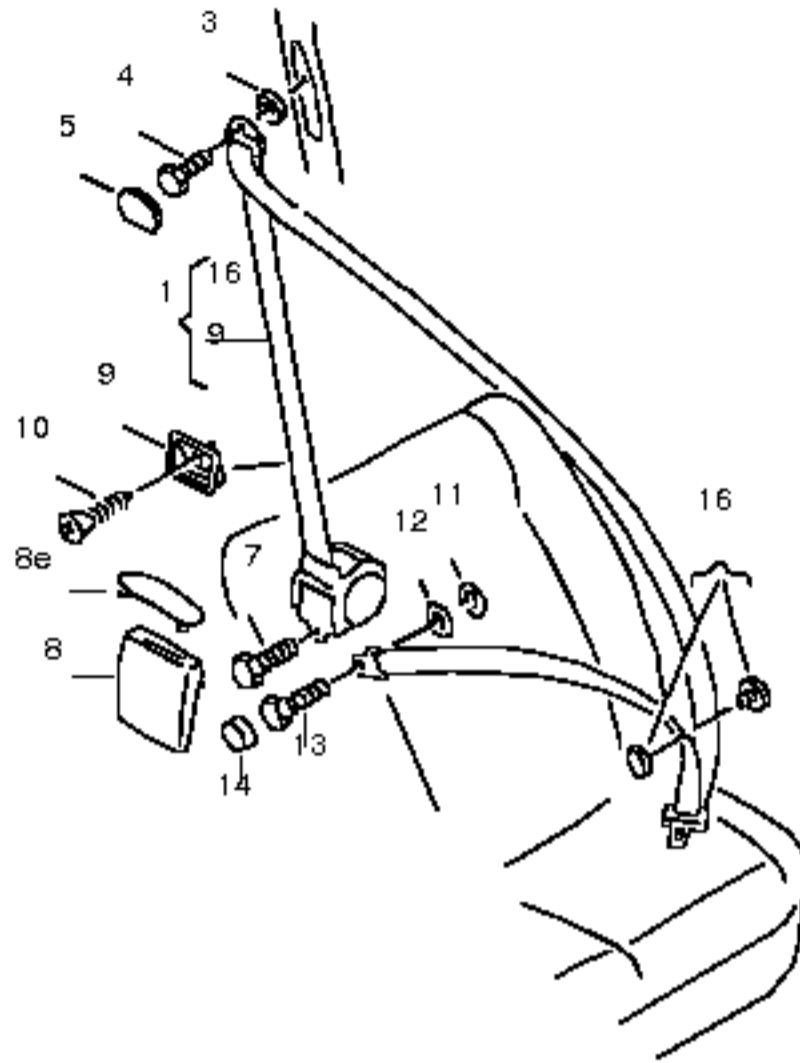
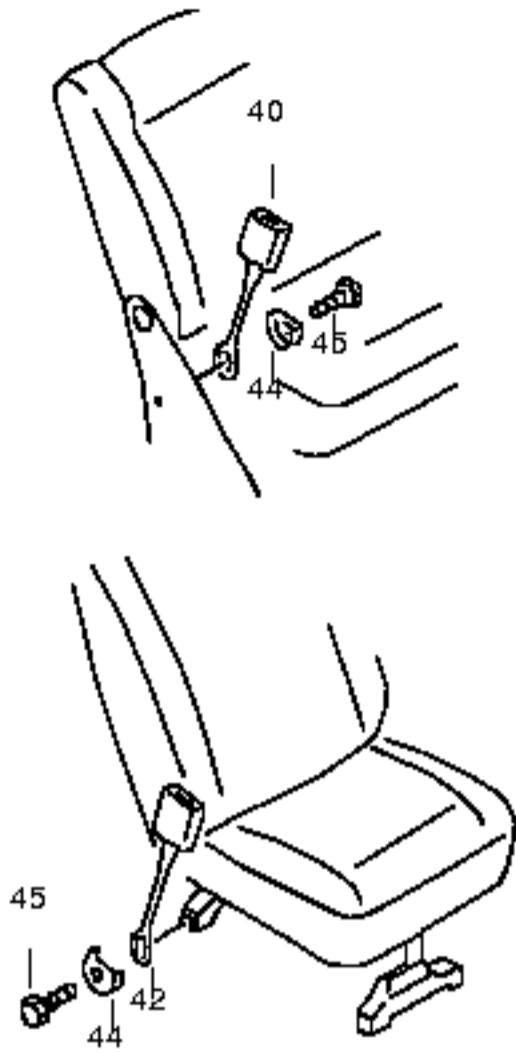
16 271857767
 spacer sleeve / 11,5MM

21 803019837
 hexagonal head bolt / 7/16"X35

22 331857767
 spacer washer



- three-point seat belt
for passenger compartement / 2. seat bench
lap belt
for passenger compartement
bench seat
3 seater
- 1 703857815
three-point seat belt
for models with wheelbase: / 2920MM
703857815 01C satin black
- (1) 705857815
three-point seat belt
for vehicles with 2nd evaporator
for models with wheelbase: / 2920MM
705857815 01C satin black
- (1) 723857815
three-point seat belt
for models with wheelbase: / 3320MM
723857815 01C satin black
- 3 111857799A
hexagonal head bolt / 7/16"X20
- (4) 281857797
cover cap
281857797 01C satin black
- 7 703857717
covering / left outer
703857717 01C satin black
- (7) 703857718
covering / right outer
703857718 01C satin black
- 8 703857719
covering / left inner
703857719 01C satin black
703857719 3KX neptune blue
703857719 9UW sahara
703857719 9XK light grey
- (8) 703857720
covering / right inner
703857720 01C satin black
703857720 3KX neptune blue
703857720 9UW sahara
703857720 9XK light grey
- 10 443857847B
knob
443857847B 4PK soul (black)
- 12 111857799A
hexagonal head bolt / 7/16"X20
- (13) 281857797
cover cap
281857797 01C satin black
- 14 111857799
hexagonal head bolt / 7/16"X25
- (14) N 98911201
hexagonal head bolt / 7/16"-20UNFX65
- 15 803019825B
spacer sleeve / 5MM
- 15B 705857845
spacer sleeve / 26MM
for models with wheelbase: / 3320
- 16 703857747
belt guide
adapt with workshop equipment
only for: / 703 857 815
/ (01C)
703857747 01C satin black
- (16) 705857748
trim
belt guide
adapt with workshop equipment
for vehicles with 2nd evaporator
705857748 01C satin black
- 703857823A
lap belt with press button buckle / MULTIVAN
703857823A 01C satin black
- 703857824
double press button buckle / MULTIVAN
703857824 01C satin black
- 18 703857823
press button buckle with belt
703857823 01C satin black
- 19 703857713
lap belt / center
703857713 01C satin black
- (19) 703857813F
lap belt with inertia reel / center
703857813F 01C satin black
- 20 703857749
press button buckle with belt
703857749 01C satin black
- 21 703857799
hexagonal head bolt / 7/16"X23
- 26 111857799
hexagonal head bolt / 7/16"X25
- 27 803019825B
spacer sleeve
- 30 171857837
bracket for seat belt
- 31 N 0115227
washer / A4,3X9X0,8
- 32 N 90576301
pop-rivet / A4X9X8X1,2



three-point seat belt
for passenger compartement
for vehicle with individual seats

/ 703857785

plug
no replacement part
TEILE IM ERSATZTEILESCHRANK

ACHTUNG BEI FREIGABE FKZ:01C
703857785 01C satin black

- 703857837B

belt guide

1 705857811D

three-point seat belt / left
/ 1. seat bench
705857811D 01C satin black

(1) 705857811A

three-point seat belt / left
sliding door side / 1. seat bench
705857811A 01C satin black

(1) 705857812

three-point seat belt / right
sliding door side / 1. seat bench
705857812 01C satin black

(1) 705857812D

three-point seat belt / right
/ 1. seat bench
705857812D 01C satin black

3 271857767

spacer sleeve / 11,5MM

(3) 331857767

spacer washer / 14MM

(3) 705857790

spacer bush / 22MM

4 803019811B

hexagonal head bolt / 7/16"X36,5

(4) 705857757

hexagonal head bolt / 7/16"X46,5

5 357857719

cover cap
357857719 01C satin black

7 111857799A

hexagonal head bolt / 7/16"X20

8 703857827

cover for pillar c / left
belt guide
703857827 01C satin black

(8) 703857828

cover for pillar c / right
belt guide
703857828 01C satin black

8E 705858829

cap
belt guide
for vehicles with lap belt
705858829 01C satin black

9 705857827

belt guide
705857827 01C satin black

(9) 705857828

belt guide
sliding door side
705857828 01C satin black

10 N 0139649

oval head panel screw / ST4,2X16-C

11 803019825B

spacer sleeve

12 705857845C

spacer sleeve / 5MM

13 111857793E

hexagonal head bolt

(14) 281857797

cover cap
281857797 01C satin black

16 443857847B

knob
443857847B 4PK soul (black)

20 703857815

three-point seat belt / 2. seat bench
for models with wheelbase: / 2920MM
703857815 01C satin black

(20) 705857815

three-point seat belt / 2. seat bench
for vehicles with 2nd evaporator
for models with wheelbase: / 2920MM
705857815 01C satin black

(20) 723857815

three-point seat belt / 2. seat bench
for models with wheelbase: / 3320MM
723857815 01C satin black

22 111857799A

hexagonal head bolt / 7/16"X20

(23) 281857797

cover cap
281857797 01C satin black

25 703857717

covering / left outer
703857717 01C satin black

(25) 703857718

covering / right outer
703857718 01C satin black

26 703857719

covering / left inner
703857719 01C satin black
703857719 3KX neptune blue
703857719 9UW sahara
703857719 9XK light grey

(26) 703857720

covering / right inner
703857720 01C satin black
703857720 3KX neptune blue
703857720 9UW sahara
703857720 9XK light grey

28 443857847B

knob
443857847B 4PK soul (black)

30 111857799A

hexagonal head bolt / 7/16"X20

(31) 281857797

cover cap
281857797 01C satin black

33 111857799

hexagonal head bolt / 7/16"X25

34 803019825B

spacer sleeve / 5MM

35 705857845

spacer sleeve / 26MM
for models with wheelbase: / 3320

36 703857747

belt guide
adapt with workshop equipment
only for: / 703 857 815
/ (01C)

703857747 01C satin black

(36) 705857748

trim
belt guide
adapt with workshop equipment
for vehicles with 2nd evaporator

705857748 01C satin black

40 703857743

flexible lock
703857743 01C satin black

42 703857822

flexible lock
for folding seat
703857822 01C satin black

44 165857900

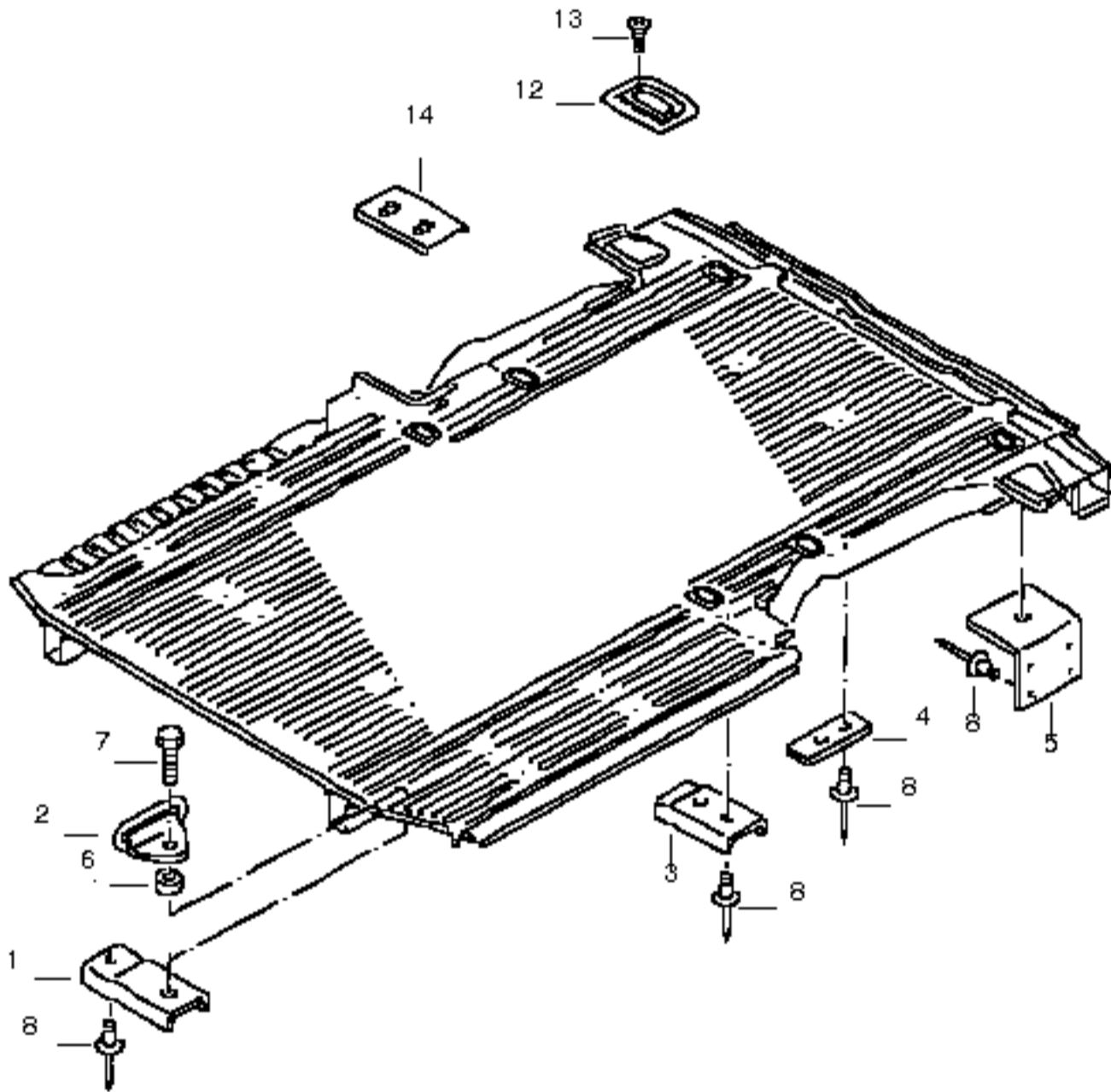
cover cap

45 803019837

hexagonal head bolt / 7/16"X35

- 111857707A

washer / 11,5X30



tie-down eye
floor plate

1 701801981
retaining plate

2 701801983A
tie-down eye
for models with wheelbase: / 2920MM
for models with wheelbase: / 3320MM

3 703883281
retaining plate

4 703883281B
retaining plate
for models with wheelbase: / 3320MM

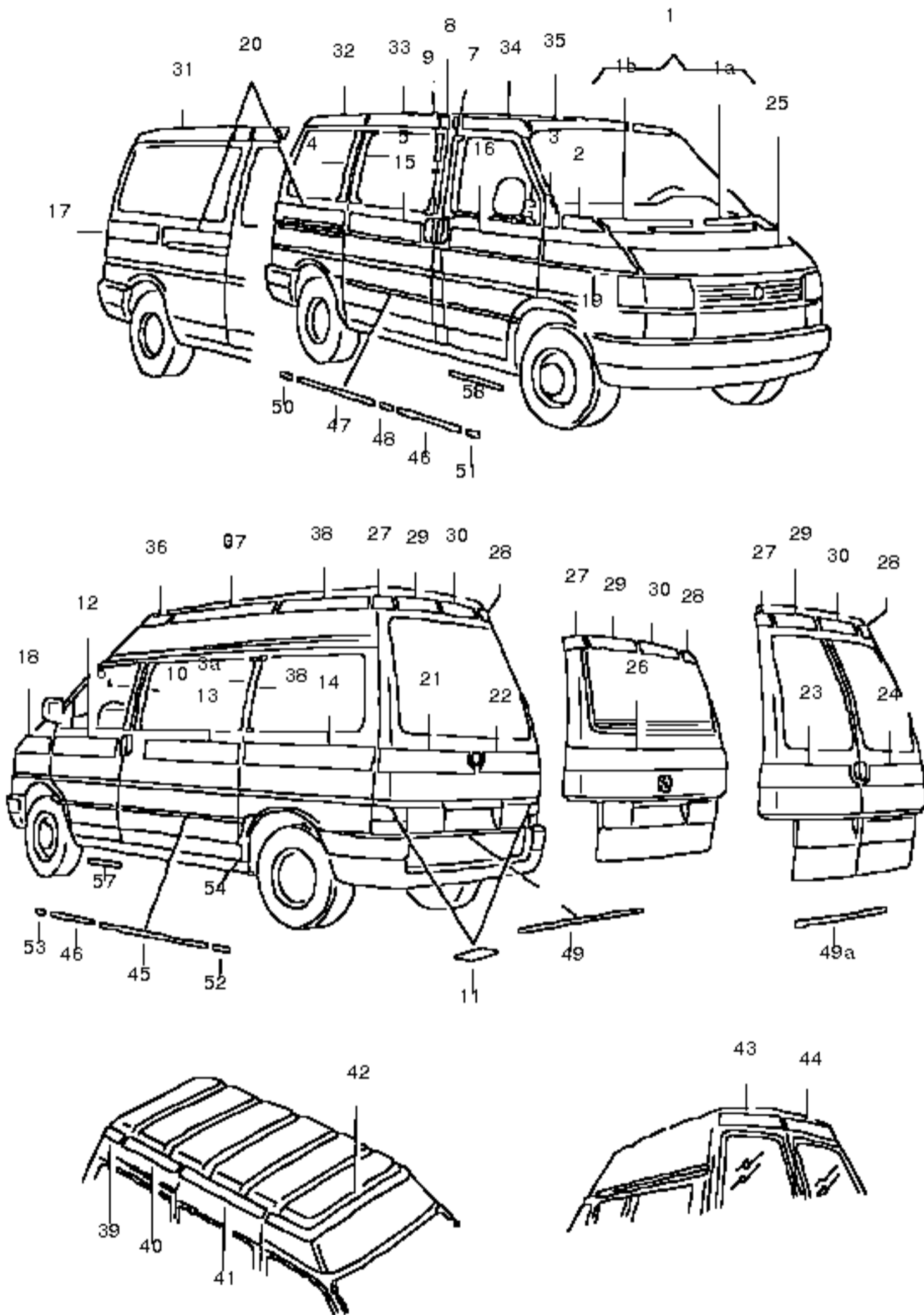
5 703883281D
retaining plate

6 271857767
spacer sleeve
for models with wheelbase: / 2920MM
for models with wheelbase: / 3320MM

7 N 0102754
hexagonal head bolt / M10X35
for models with wheelbase: / 2920MM
for models with wheelbase: / 3320MM

8 N 90478601
pop-rivet / A4,8X11
for models with wheelbase: / 2920MM
for models with wheelbase: / 3320MM

(8) N 90437401
pop-rivet / A4,8X10
for models with wheelbase: / 2920MM
for models with wheelbase: / 3320MM



trim foil
trim foil / upper

1 -----
discontinued / replacement: / 1A/1B

1A 705853151A
trim foil for front bonnet / left
705853151A 01C satin black

1B 705853152
trim foil for front bonnet / right
705853152 01C satin black

(2) 705853155
trim foil for mudwing / left
MIT V3BK BESCHNITT GE?NDERT.
705853155 01C satin black

2 705853156
trim foil for mudwing / right
705853156 01C satin black

(3) 705853265
trim foil for pillar a / left
705853265 01C satin black

3 705853266
trim foil for pillar a / right
705853266 01C satin black

3A 705853309A
trim foil for pillar c / left front
705853309A 01C satin black

(3A) 705853310A
trim foil for pillar c / right front
705853310A 01C satin black

3B 705853301
trim foil for pillar c / left rear
705853301 01C satin black

(3B) 705853302
trim foil for pillar c / right rear
705853302 01C satin black

(4) 705853317
trim foil for pillar c / left
sliding door side
705853317 01C satin black

4 705853318
trim foil for pillar c / right
sliding door side
705853318 01C satin black

(5) 705853315
trim foil for sliding door / left rear
705853315 01C satin black

5 705853316
trim foil for sliding door / right rear
705853316 01C satin black

6 705853313
trim foil for door / left
705853313 01C satin black

7 705853314
trim foil for door / right
705853314 01C satin black

8 705853311
trim foil for pillar b / left
for vehicles with sliding door / left
705853311 01C satin black

(8) 705853312
trim foil for pillar b / right
for vehicles with sliding door / right
705853312 01C satin black

(9) 705853335
trim foil for sliding door / left front
705853335 01C satin black

9 705853336
trim foil for sliding door / right front
705853336 01C satin black

10 705853311A
trim foil for pillar b / left
for side panel
705853311A 01C satin black

fluorescent strip
reflective warning strip

11 703853047
fluorescent strip / 40X100
for flap, rear
reflective warning strip
make up from: / 723 853 428
/ (L10)
reflective warning strip
make up from: / 723 853 428
/ (L10)
reflective warning strip
make up from: / 723 853 428
/ (L10)
reflective warning strip
make up from: / 723 853 428
/ (L10)
reflective warning strip
make up from: / 723 853 428
/ (L10)
reflective warning strip
make up from: / 723 853 428
/ (L10)

18 703853428A
reflective warning strip / left
for fender
703853428A L10 brillante red

19 703853428B
reflective warning strip / right
for fender
703853428B L10 brillante red

20 723853428
reflective warning strip / 100X3000
for side panel
sliding door side
723853428 L10 brillante red

21 703853891B
reflective warning strip / left rear
703853891B L10 brillante red

23 703853891B
reflective warning strip / rear
for wing door
adapt with workshop equipment
703853891B L10 brillante red

24 703853891B
reflective warning strip / right rear
for wing door
adapt with workshop equipment
703853891B L10 brillante red

25 703853954
reflective warning strip / ambulance
bonnet
703853954 L10 brillante red

26 703853891B
reflective warning strip / rear / ambulance
/ left/right
703853891B L10 brillante red / left/right

27 703854915
reflective warning strip / ambulance
roof / left
for wing door / left upper
703854915 L10 brillante red

28 703854916
reflective warning strip / ambulance
roof / right
for wing door / right upper
703854916 L10 brillante red

29 703854919
reflective warning strip / left upper / ambulance
for wing door
703854919 L10 brillante red

30 703854920
reflective warning strip / right upper / ambulance
for wing door
703854920 L10 brillante red

31 723854921
reflective warning strip / left upper / ambulance
side panel
723854921 L10 brillante red

(31) 723854922
reflective warning strip / right upper / ambulance
side panel
723854922 L10 brillante red
reflective warning strip / left upper / ambulance
side panel
make up from: / 723 854 921
/ (L10)
reflective warning strip / ambulance
side panel / right upper
make up from: / 723 854 922
/ (L10)
reflective warning strip / ambulance
roof / left/right
make up from: / 723 853 428 A
/ (L10)

34 703854914
reflective warning strip / right front / ambulance
roof / BEIFAHRETT?R
703854914 L10 brillante red

35 703854911
reflective warning strip / front / ambulance
roof
703854911 L10 brillante red

36 703854913
reflective warning strip / left front / ambulance
roof / driver's door
703854913 L10 brillante red
reflective warning strip / ambulance
roof / left/right
make up from: / 723 853 428 A
/ (L10)
reflective warning strip / ambulance
roof / left rear
make up from: / 723 854 921
/ (L10)
reflective warning strip / ambulance
roof / right rear
make up from: / 723 854 921
/ (L10)

(39) 723854915
reflective warning strip / left upper / ambulance
723854915 L10 brillante red

39 723854916
reflective warning strip / right upper / ambulance
723854916 L10 brillante red

40 723853428A
reflective warning strip / left upper / ambulance
for vehicles with
roof / 150X4470
723853428A L10 brillante red
reflective warning strip / left / ambulance
roof
make up from: / 723 853 428 A
/ (L10)

42 723854911
reflective warning strip / front / ambulance
roof
for high sliding door
723854911 L10 brillante red

43 723854917
reflective warning strip / left rear / ambulance
roof
723854917 L10 brillante red

44 723854918
reflective warning strip / right rear / ambulance
roof / 150X3120
723854918 L10 brillante red
trim foil / lower / ALLSTAR

- 703898524
1 set: trim strips for waistline / 3/6/123/174
703898524 N7P silver grey

45 703854415
trim foil / 3/6/123X1403
703854415 N7P silver grey
make up from: / 703 854 415
/ (N7P)
make up from: / 703 854 415
/ (N7P)
make up from: / 703 854 415
/ (N7P)

49 703854421
trim foil / 3/6/174X1325
for flap, rear
703854421 N7P silver grey

50 703854418
trim foil for side panel / right rear
703854418 N7P silver grey

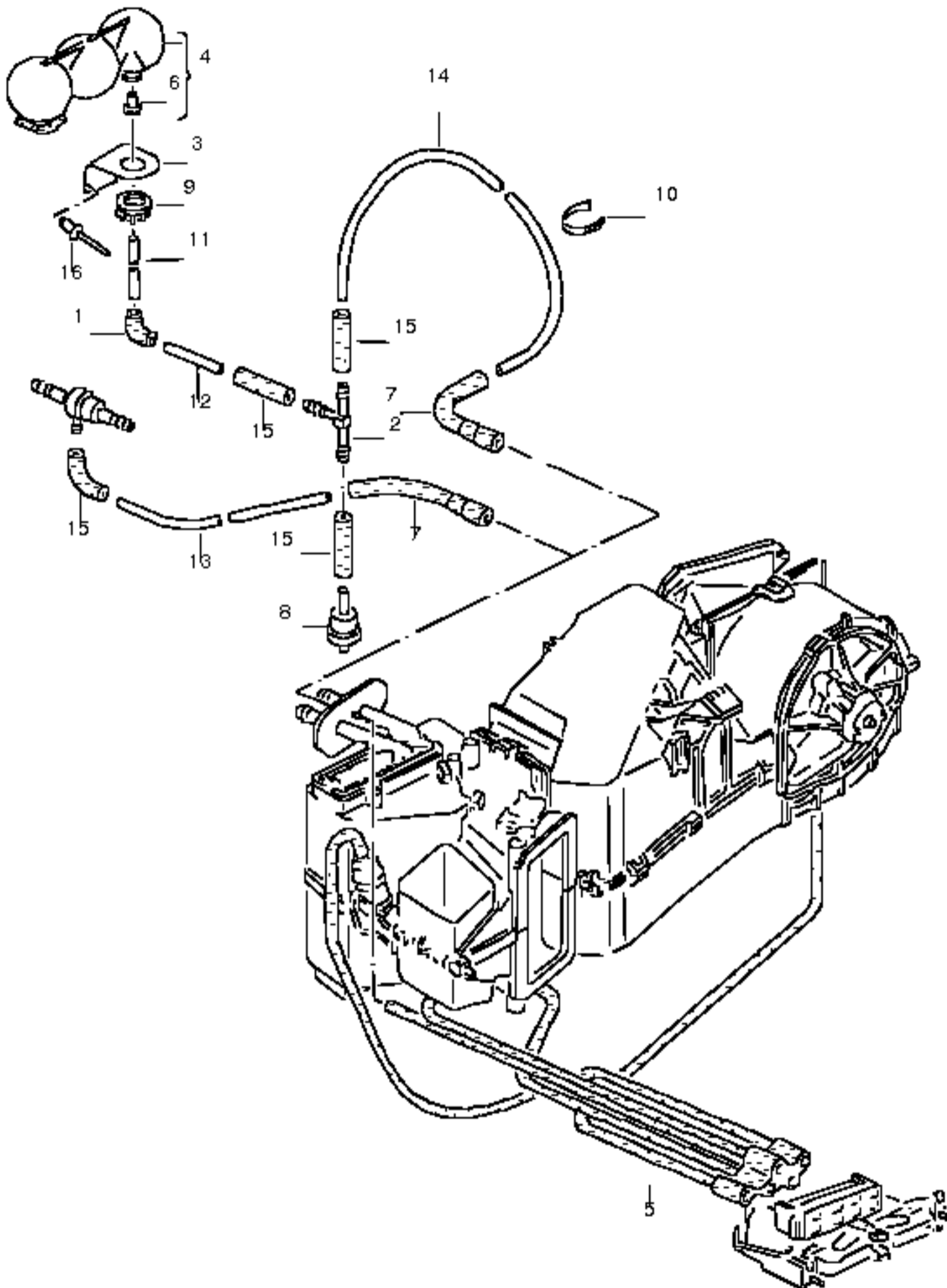
51 703854424
trim foil / right front
wheel housing
703854424 N7P silver grey

52 703854417
trim foil for side panel / left rear
703854417 N7P silver grey

53 703854423
trim foil / left front
wheel housing
703854423 N7P silver grey
stone protection foil

54 701853931A
protective foil / left rear

(54) 701853932A
protective foil / right rear



vacuum reservoir

vacuum hoses

1 034133784

angled hose / 3,5MM

2 113201943B

t-piece / 4/4/4

3 701820281A

bracket for vacuum tank / lhd

(3) 702820281

bracket for vacuum tank / rhd

4 701820601

vacuum reservoir

(4) 7D0820601

vacuum reservoir / rhd

- 037121687

seal / 36X3,15

5 701820605

vacuum hoses with connection

6 357820609

grommet

7 6N0820641A

reducer hose

8 433862117

non-return valve

9 311955461

nut

10 N 0209022

cable tie / 6X246

- N 0201391

tube in coils of 5m 'order unit 5' / 4X1

shorten to: / 100MM

shorten to: / 50MM

shorten to: / 410MM

shorten to: / 430MM

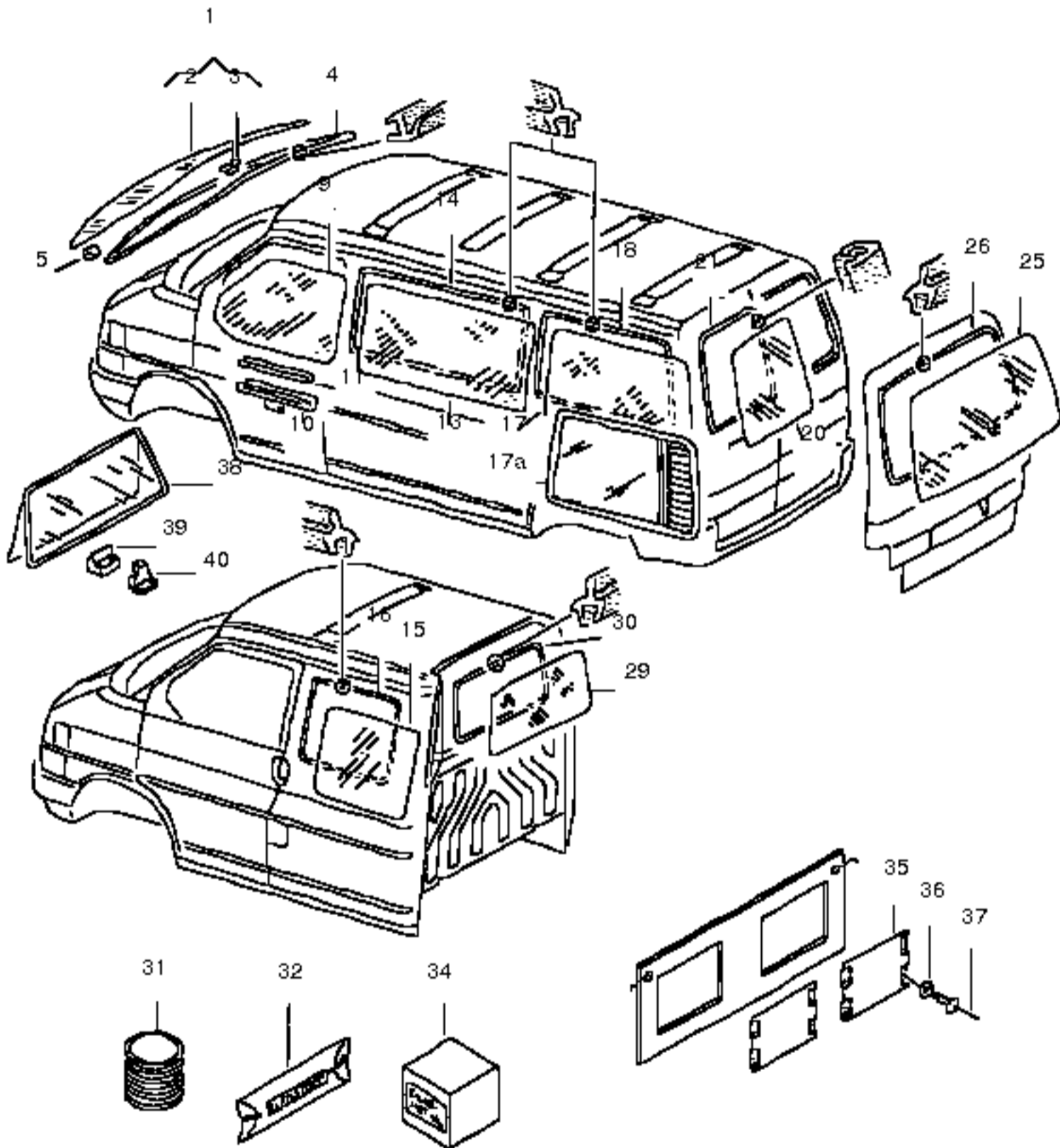
- N 0203535

hose in coils of 5m 'order unit 5' / 3,5X2

shorten to: / 40MM

16 N 90576301

pop-rivet / A4X9X8X1,2



window glasses

(1) 7D0845099P
windshield glass (laminated) with tinted zone

1 7D0845099R
windshield glass (laminated) with tinted zone / green

(1) 7D0845099Q
windscreen glass (laminated) with aerial and tinted zone
aerial wire
** see accessories catalog **

(1) 7D0845099S
windscreen glass (laminated) with aerial and tinted zone / green
aerial wire
** see accessories catalog **

- 7D0867249
beading
a-pillar, inner
see illustration: / 867-60
7D0867249 01C satin black

3 70184543A
retaining plate for rear view mirror, interior

4 701845121J
seal for windshield

5 -----
no longer available

9 701845201
door window / left

(9) 703845201
door window / green
/ left

(9) 701845202
door window / right

(9) 703845202
door window / green
/ right

10 357839571
lift channel

11 831837565
seal for lift channel

(13) 703845301S
side window for side panel / front

(13) 703845301T
side window for side panel / green
/ front

(13) 703845301AA
side window for sliding door

(13) 703845301AB
side window for sliding door / green

(13) 703845301P
side window for side panel / part. frosted / ambulance
/ front

13 703845301Q
side window (insul. glass) for side panel / front

(13) 703845301R
side window (insul. glass) for sliding door

(14) 723845121
seal for side window / 516X1290
adapt with workshop equipment / front

14 723845121B
moulding frame / 3420MM
for use on windows which have not been removed / front
adapt with workshop equipment
see workshop manual

no longer available

15 729845315
side window for side panel / double cab

(15) 729845315A
side window for crew cab door / double cab

(16) 701845121A
gasket / double cab
adapt with workshop equipment

16 701845121G
moulding frame / 3630MM / double cab
for use on windows which have not been removed
adapt with workshop equipment
see workshop manual

17 703845331K
side window / 516X968
/ left rear

(17) 723845331H
side window / 516X1290
for vehicles with extended wheelbase / left rear

(17) 703845331J
side window / green
/ 516X968
/ left rear

(17) 723845331E
side window / green
for vehicles with extended wheelbase / 516X1290
/ left rear

(17) 703845331F
side window / part. frosted / ambulance
/ 516X968
/ left rear

(17) 723845331B
side window / part. frosted / ambulance
for vehicles with extended wheelbase / 516X1290
/ left rear

(17) 703845331G
side window (insul. glass) / 516X968
/ left rear

(17) 723845331C
side window (insul. glass) / 516X1290
for vehicles with extended wheelbase / left rear

(17) 703845332N
side window / 516X968
/ right rear

(17) 703845332Q
side window / 516X968 / air condit.
for vehicles with 2nd evaporator / right rear

(17) 723845332P
side window / 516X1290
for vehicles with extended wheelbase / right rear

(17) 703845332P
side window / green
/ 516X968
/ right rear

(17) 703845332R
side window / green / air condit.
for vehicles with 2nd evaporator / 516X968
/ right rear

(17) 723845332N
side window / green
for vehicles with extended wheelbase / 516X1290
/ right rear

(17) 7D3845332H
side window / green / air condit.
for vehicles with extended wheelbase / 516X1290
/ right rear
for vehicles with 2nd evaporator

(17) 703845332F
side window / part. frosted / ambulance
/ 516X968
/ right rear

(17) 723845332B
side window / part. frosted / ambulance
for vehicles with extended wheelbase / 516X1290
/ right rear

(17) 703845332G
side window (insul. glass) / 516X968
/ right rear

(17) 723845332C
side window (insul. glass) / 516X1290
for vehicles with extended wheelbase / right rear

(17A) 703845298B
side window / right rear
for vehicles with
passenger comp. ventilation
use if required: / N 903 556 01

(17A) 703845298C
side window / green
for vehicles with / right rear
passenger comp. ventilation
use if required: / N 903 556 01

(18) 723845121
seal for side window / 516X1290
adapt with workshop equipment / rear

(18) 723845121B
moulding frame / 3420MM
for use on windows which have not been removed / rear
see workshop manual

20 721845501D
rear window glass / left
for high wing door

(20) 7D3845501
heated rear window / left
for high wing door

(20) 7D0845501
heated rear window / left
for wing door

(20) 7D0845501A
heated rear window / green
for wing door / left

(20) 703845051A
rear window glass / part. frosted / ambulance
for wing door / left

(20) 721845502D
rear window glass / right
for high wing door

(20) 7D3845502
heated rear window / right
for high wing door

(20) 7D0845502
heated rear window / right
for wing door

(20) 7D0845502A
heated rear window / green
for wing door / right

(20) 703845052A
rear window glass / part. frosted / ambulance
for wing door / right

(21) 701845521
seal for rear window glass / left a. right
for wing door

(21) 721845521
seal for rear window glass / left a. right
for high wing door

25 7D0845503
heated rear window

(25) 7D0845503A
heated rear window / green

(25) 7D0845503B
heated rear window / green
for models with additional brake light and tailgate trim panel

(25) 703845503
rear window glass / part. frosted / ambulance

(25) 703845503A
rear window glass(insul.glass)

(26) 701845121A
gasket

26 701845121G
moulding frame / 3630MM
for use on windows which have not been removed
see workshop manual

29 707845503A
heated rear window / pick-up
/ double cab
make up from: / 701 845 121 A

31 357845955
cutting wire for removing windows / 0,6X0,6X50000

32 DH 009100
1k-window adhesive / 300ML

(32) DH 00910003
1k-window adhesive / 110ML

(32) DA 004600A2
2k-window adhesive set / 400ML

34 D 000703A1
1 set of glass-metal adhesive / 0,3G
for: retaining plate for rear view mirror, interior

35 729845551A
glass panel for tailboard / rear

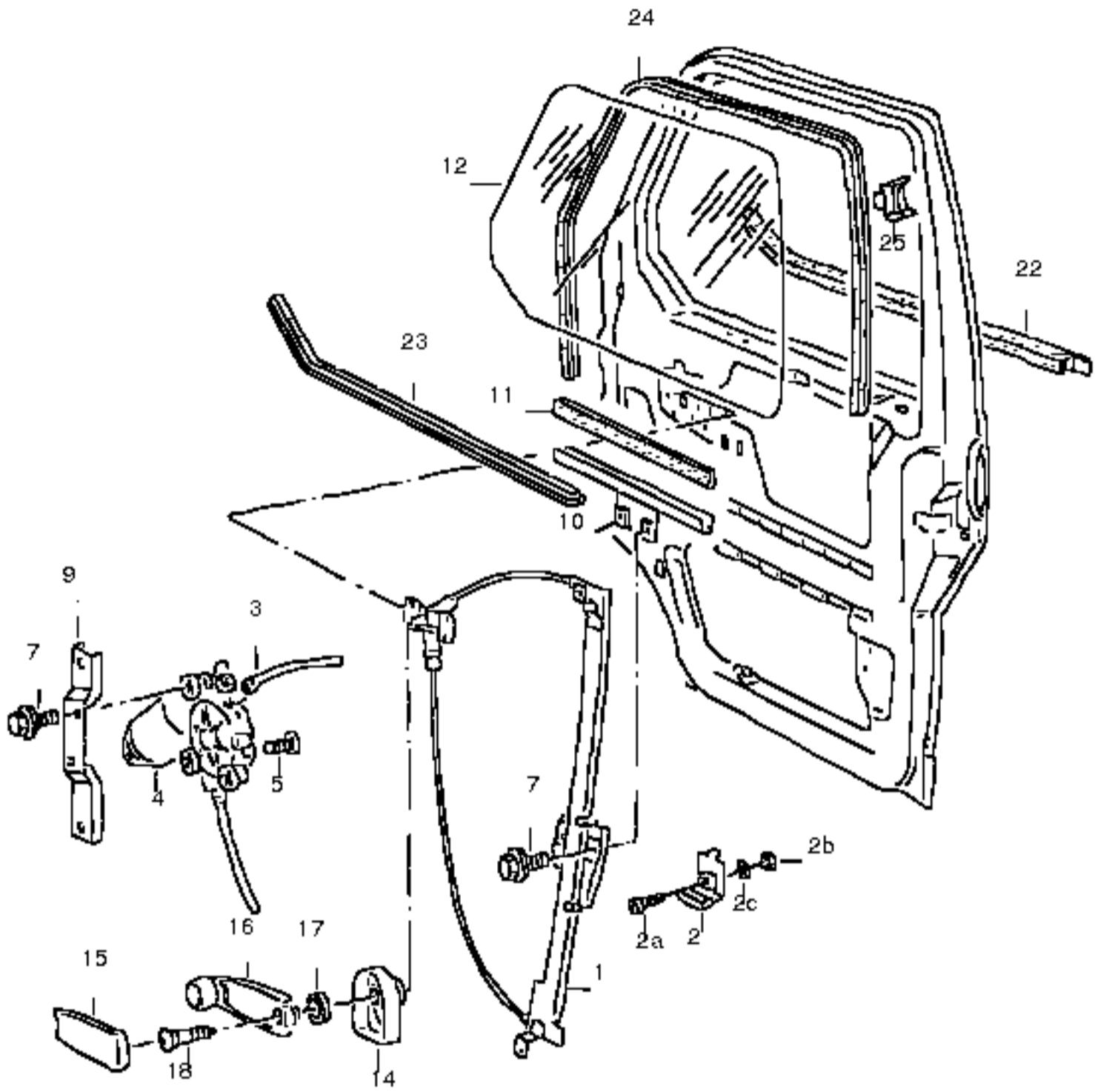
36 N 90437401
pop-rivet / A4,8X10

37 N 90205601
washer / 5,3X12X1

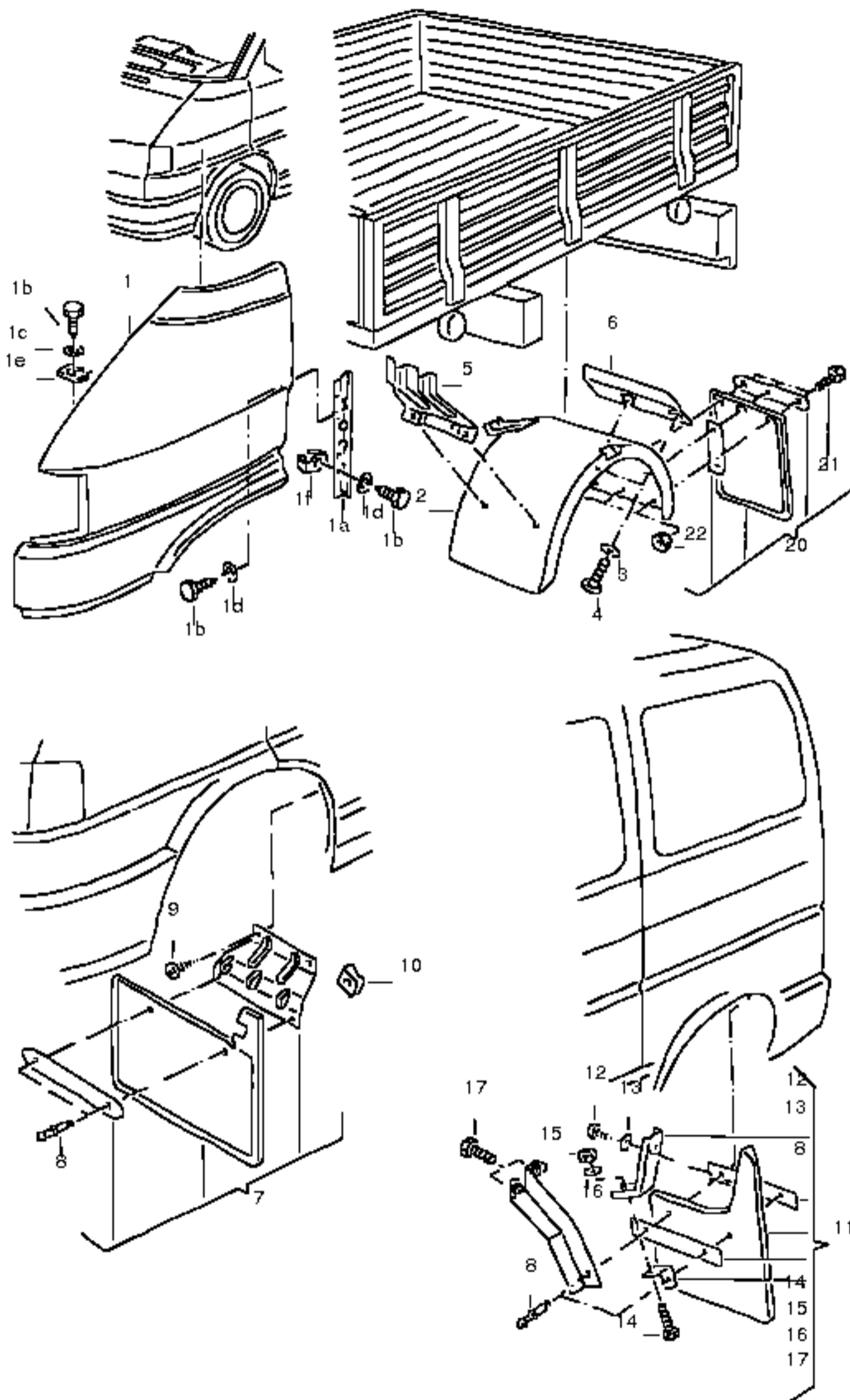
38 703847761
hinged window / left rear / "L."
/ ambulance

39 703847783
sealing bearing / "L."
/ ambulance

40 703847775
bracket for damper / "L."
/ ambulance



- window regulator
- window guide
- (1) 701837501F
window regulator / left
- (1) 701837502F
window regulator / right
- 2 701837445
stop for window regulator / left
- (2) 701837450
stop for window regulator / right
- 2A N 0141551
fillister hd. bolt / M5X22
- 2B N 0111821
hexagon nut, self-locking / M5
- 2C 701837681
washer / 5,2X9X2
- (3) 701837461A
window lifter without motor / left
- 3 701837462A
window lifter without motor / right
- (4) 701959801
window regulator motor / left
- 4 701959802
window regulator motor / right
- 5 N 0141335
fillister hd. bolt / M5X12
- 7 N 0143401
hexagonal head bolt / M6X10
- (9) 701837533
retainer / left
for models with electrically operated windows
- 9 701837534
retainer / right
for models with electrically operated windows
- 10 357839571
lift channel
- 11 831837565
seal for lift channel / 348MM
see illustration: / 845-00
- (16) 1H0837581B
window crank
1H0837581B 9XK light grey
- (16) 1H0837581D
window crank
1H0837581D B41 satin black
1H0837581D F31 mauritius blue
1H0837581D 9UW sahara
- (22) 701837703A
window slot seal / left outer
- 22 701837704A
window slot seal / right outer
- 23 701837705
window slot seal / left inner
- (23) 701837706
window slot seal / right inner
- (24) 701837709D
window guide / left
/ *>>70-T-060000
shorten by: / 370MM
- 24 701837710C
window guide / right
- 25 701837715
stop buffer



wing / front and rear
mud flap
wing

1 701821021A
wing / left front

(1) 701821022A
wing / right front

(1) 701821103
wing / left front / TDI

(1) 701821104A
wing / right front / TDI

1A 701821099
rip plate / left / TDI

(1A) 701821100
rip plate / right / TDI

1B N 0159451
hexagon head panel screw / A6,5X16 / TDI

1C N 01166615
washer / 6,4X18X1,6 / TDI

1D N 0115476
washer / A6,5X14X1,6 / TDI

1E N 0154322
snap nut / B6,3X25X16 / TDI

1E N 0154322
snap nut / B6,3X25X16

1F N 0120622
speed nut / B6,3 / TDI

- N 90149502
t-bolt / 5X10

2 707821451C
wing / rear / pick-up

3 N 01152423
washer / A6,4X12,5X1,6

4 N 01021226
hexagonal head bolt / M6X12

5 707821487
bracket - fender / left front / pick-up

(5) 707821488
bracket - fender / right front / pick-up

6 707821495
bracket - fender / rear / pick-up
mud flap

7 7D0821173
mud flap / left front

(7) 7D0821174
mud flap / right front

8 N 0162011
cup rivet / AK4,8X14

9 N 0138905
hexagon head panel screw / ST6,3X13-C

10 701821841
clips

11 701821811
mud flap with bracket / left rear

(11) 701821812
mud flap with bracket / right rear

12 N 90518801
hexagon head wood screw / 5X25

13 N 01152423
washer / A6,4X12,5X1,6

14 N 01021612
hexagonal head bolt / M6X18

15 N 01100624
hexagonal nut / M6

16 N 01152423
washer / A6,4X12,5X1,6

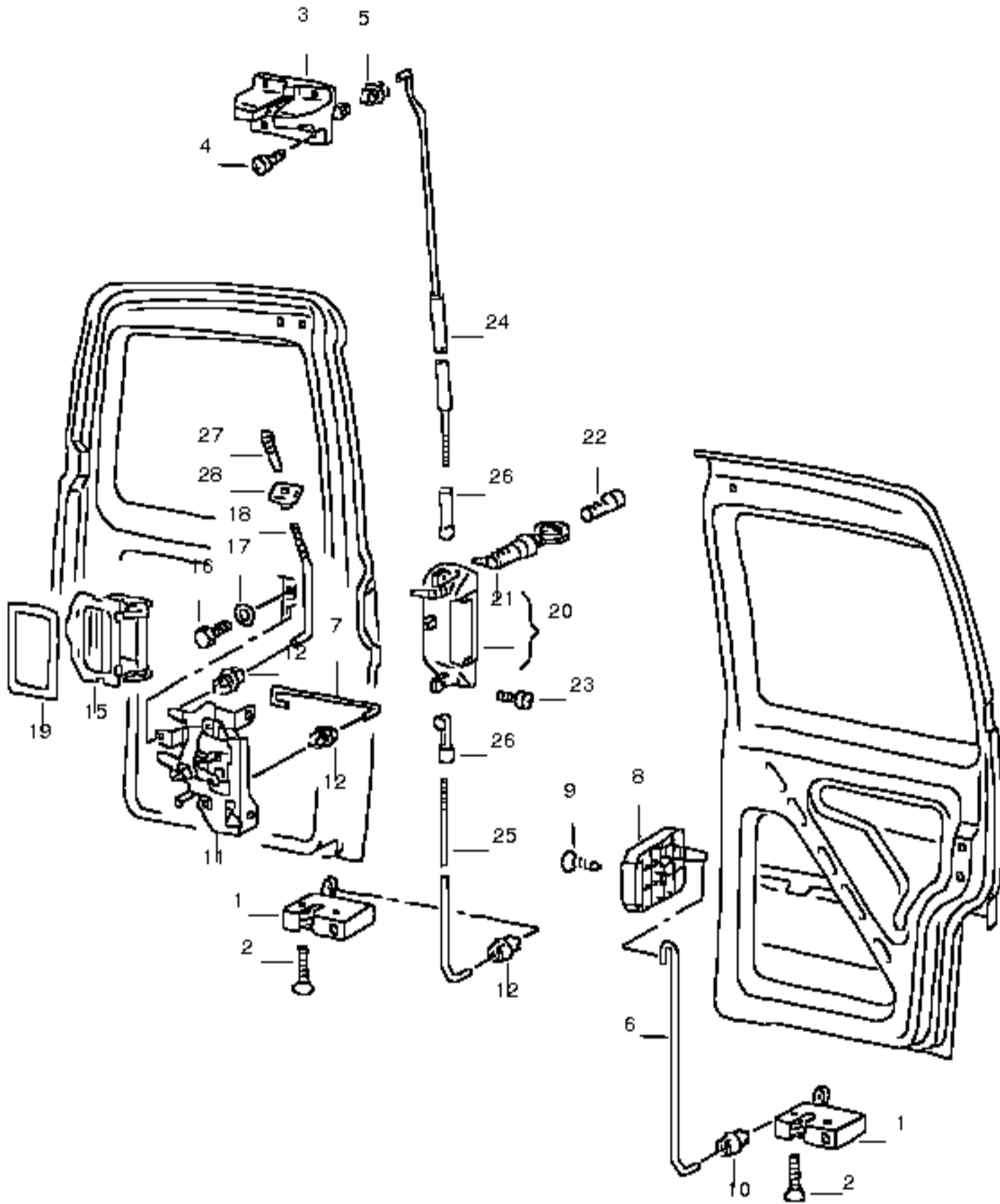
17 N 0138612
hex.hd. thread cutting bolt / AM6X12

20 707821811
mud flap / rear / pick-up

21 N 01021612
hexagonal head bolt / M6X18

22 N 01100624
hexagonal nut / M6

- 7D0898051
attachment parts for one fender



wing door lock
 door handle, outer
 door inner operating lever

1 701827635
 door lock / lower
 / left/right

2 N 0331881
 countersunk bolt / M8X40

3 701827162
 door lock / upper

(3) 701827162
 door lock / upper
 for high wing door / left/right

4 N 0330421
 oval head countersunk bolt / M6X18

5 191837199
 clip

(6) 721827165
 operating rod
 door lock
 for high wing door

6 701827163A
 operating rod
 door lock

7 701827164
 operating rod
 door inner operating lever

8 721827185
 operating lever
 adapt with workshop equipment
 operating lever / remove
 721827185 01C satin black

(8) 721827185
 operating lever
 for high wing door
 721827185 01C satin black

9 N 0140933
 oval head panel screw / ST4,2X13-C

10 191837199
 clip

11 701827503
 wing door lock / right

12 191837199
 clip

15 705829309A
 door inner operating lever
 also use: / 701 827 164
 705829309A 01C satin black

16 N 0141387
 fillister hd. bolt / M6X10

17 N 01152423
 washer / A6,4X12,5X1,6

18 701827521
 locking rod / 63MM

(18) 705827521
 locking rod / 93MM / BUS,MULTIVAN
 / ambulance

19 701827557A
 trim
 701827557A 01C satin black

(19) 725827557
 trim / CARAVELLE,
 door inner operating lever / ambulance
 725827557 01C satin black

20 701827561
 door handle, outer / right
 / satin black

(20) 701827561A
 door handle, outer for safety lock / right

21 701843709A
 lock cylinder
 (safety lock)

(22) 701837061C
 lock cylinder for door handle without tumblers and key
 system 'b' profile ah
 for lock combination numbers: 1001-2000,3001-4000,6001-7086, 8201-9282

23 N 01414112
 fillister hd. bolt / M6X18

(24) 721827163
 operating rod / left upper
 door lock
 for high wing door

(24) 721827164
 operating rod / right upper
 door inner operating lever
 for high wing door

24 701827611
 operating rod / right upper

25 701827612A
 operating rod / lower

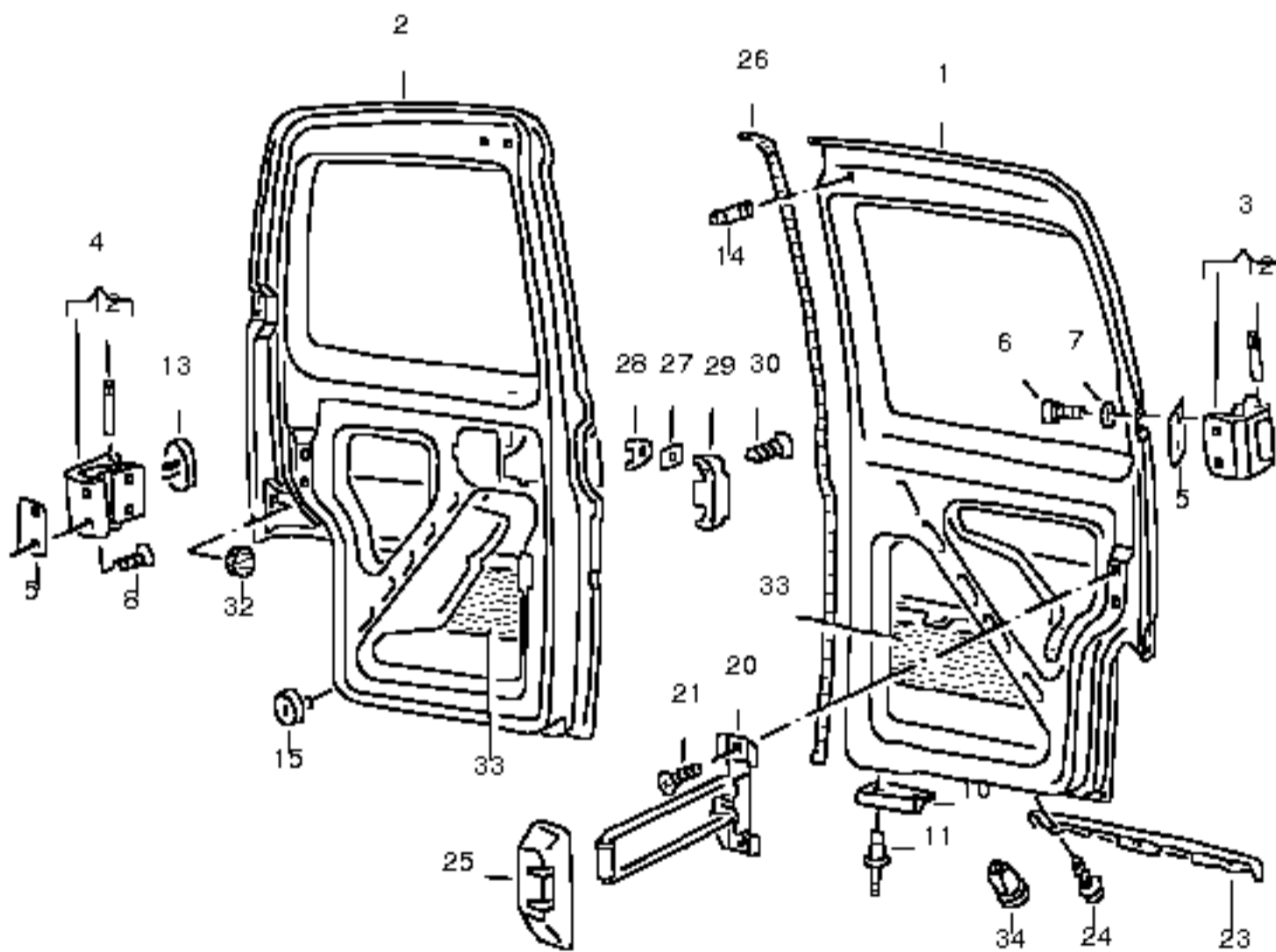
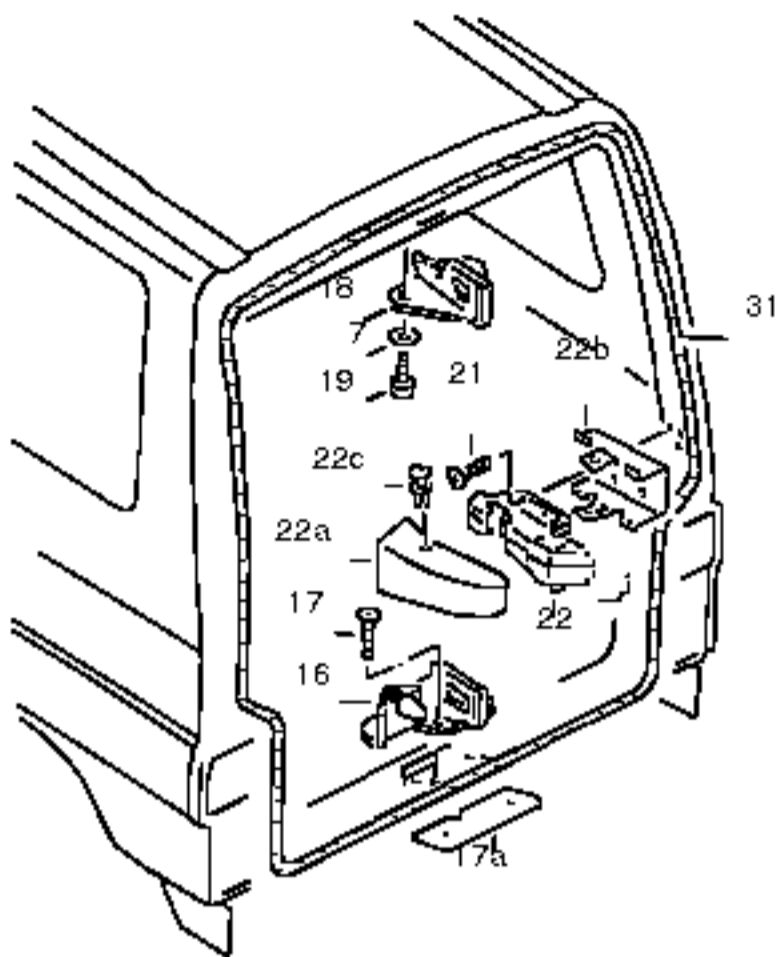
(25) 701827612A
 operating rod / lower
 for high wing door

- 701843747
 clip

26 357827637A
 clip

27 357837187
 knob for locking rod
 357837187 01C satin black

28 701837355
 collar
 701837355 01C satin black



wing doors / rear

1 701827103

wing door with window opening / left

(1) 701827103A

wing door without window opening / left

2 701827104D

wing door with window opening / right

(2) 701827104E

wing door without window opening / right

- 701827267A

threaded plate

3 701827151A

door hinge / left upper

(3) 701827153A

door hinge / left lower

(4) 701827152A

door hinge / right upper

4 701827154A

door hinge / right lower

gasket

hinge / upper/lower

make up from: / 701 827 157 D

- 701827157D

gasket / 210X149MM

6 N 0147702

allen key head bolt / M8X15

7 N 01152520

washer / A8,4X16X1,6

(7) N 90033302

washer / B8,4X20X2,5

8 N 0214111

oval head countersunk bolt / M8X24

shorten to: / 20MM

10 701829199

stop channel / 300MM

shorten to: / 227MM

11 N 90478601

pop-rivet / A4,8X11

12 701827309

pin - hinge

13 701827489

stop buffer

701827489 01C satin black

14 701827499B

stop buffer

16 701827512

striker plate / lower

17 N 0214011

oval head countersunk bolt / M8X18

17A 701827263

reinforcement for apron / center

cover for lock carrier

see illustration: / 863-05

18 701827537B

striker plate / upper

19 N 0147702

allen key head bolt / M8X15

20 701827541A

check rod - door

21 N 0141395

fillister hd. bolt / M6X12

21 N 0141405

fillister hd. bolt / M6X15

(21) N 0102935

hexagonal head bolt / M8X16

22 701827545

stop mounting

- 701827559

spacer (self-adhesive) / 50X40X26MM

(22A) 703827597

cover for mounting / left / BUS,

for models with wheelbase: / 2920MM / kombi van

703827597 01C satin black

(22A) 723827597

cover for mounting / left / BUS,

for models with wheelbase: / 3320MM / kombi van

723827597 01C satin black

22A 703827598

cover for mounting / right / BUS,

for models with wheelbase: / 2920MM / kombi van

703827598 01C satin black

(22A) 723827598

cover for mounting / right / BUS,

for models with wheelbase: / 3320MM / kombi van

723827598 01C satin black

(22B) 723827605

retaining panel / left / BUS

covering

22B 723827606

retaining panel / right / BUS

covering

22C 701867299

clip

701867299 1YX flint grey

701867299 3KX neptune blue

701867299 9UW sahara

701867299 9XK light grey

23 701827577A

cover for licence plate light

701827577A 01C satin black

24 N 90098101

oval head panel screw / B6,3X19

25 701827645

cover cap / left

701827645 01C satin black

(25) 701827646

cover cap / right

701827646 01C satin black

(25) 723827598C

covering / right

check rod - door

for vehicles with air condit.

723827598C 01C satin black

26 701827709

gasket / center

27 701827286C

staple for padlock

28 701827286

staple for padlock

29 281843821A

covering

30 N 0140942

oval hd. csk. self-tapp. screw / ST4,2X16-C

31 721827705B

gasket

adapt with workshop equipment

32 211611849

plug / 22MM

33 323863950

sound absorber (self-adhesive) 'order unit 6' / 550X250X2

34 357868143

insert nut / 8MM

- 251971905A

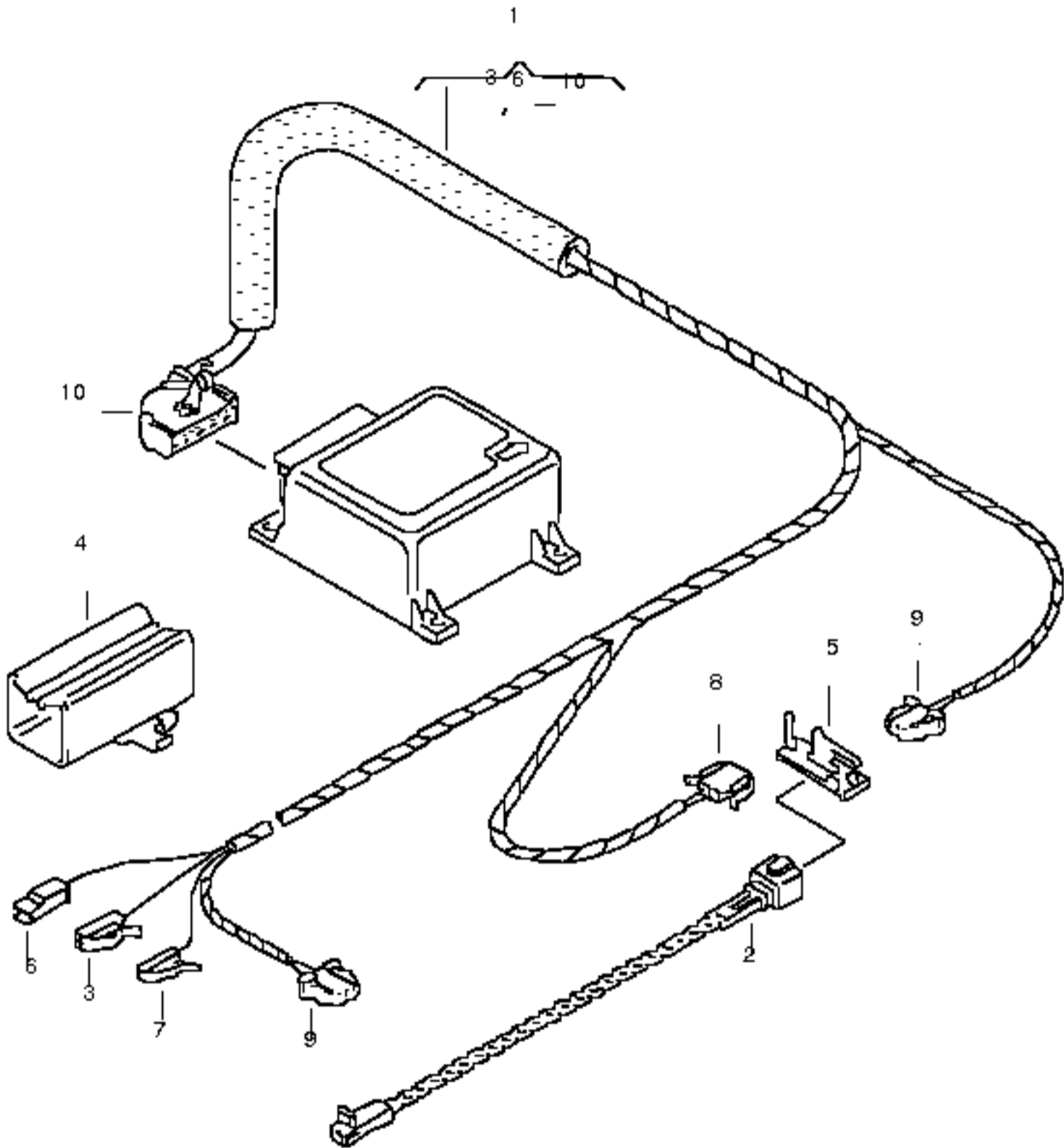
grommet / 62X38/59X35

wiring

licence plate light

wing door lock

see illustration: / 827-65



airbag wiring harness

(1) 7D1971581
airbag wiring harness / lhd

(1) 7D2971581
airbag wiring harness / rhd

2 701971581
wiring harness adapter
airbag unit
(passenger side)

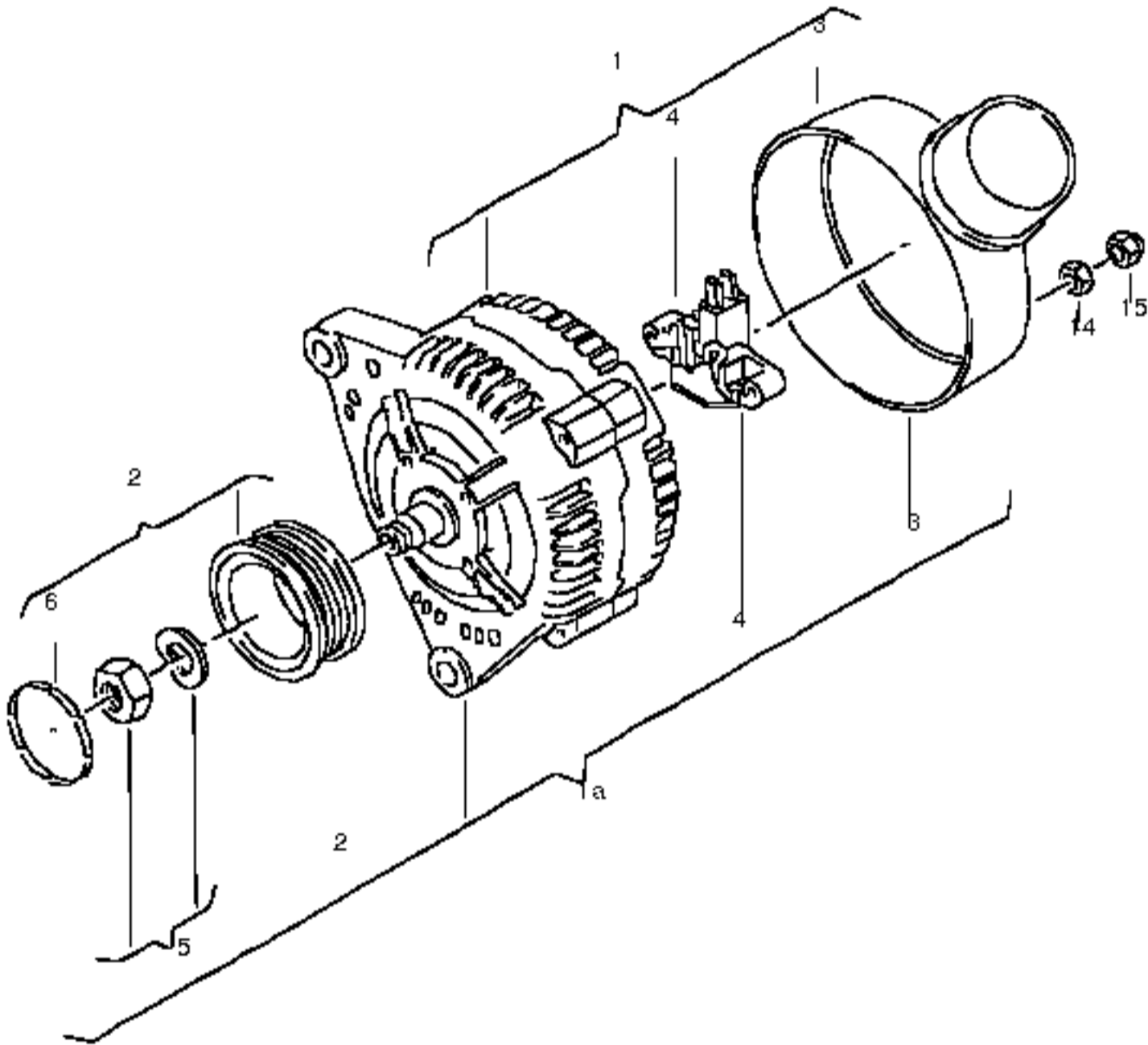
3 701906231
flat contact housing / 1 pin
connecting part
junction box

4 701971341D
wiring conduit
701971806
cable holder

(6) 701906231
flat contact housing / 1 pin
connecting part
ground connector

7 1H0972701
flat contact housing / 1 pin
connecting part
diagnose connector strip

8 1J0972702
flat contact housing / 2 pin
connecting part
dash panel insert
no replacement part
no replacement part
connecting part
control unit for airbag



alternator and single parts / BOSCH

for alternator: / 1,3,4,6,7,8

1 028903018A

alternator / 90A

(1) 028903018AX

alternator / 90A

(1) 028903018C

alternator / 120A

(1) 028903018CX

alternator / 120A

(1) 028903025P

alternator / 90A

(1) 028903025PX

alternator / 90A

2 028903119F

ribbed belt pulley

for alternator: / 1,3,4

(2) 028903119H

ribbed belt pulley

for alternator: / 6

(2) 028903119L

ribbed belt pulley

for alternator: / 7,8

3 028903193E

protective cap

for alternator: / 1,3,7

(3) 028903193F

protective cap

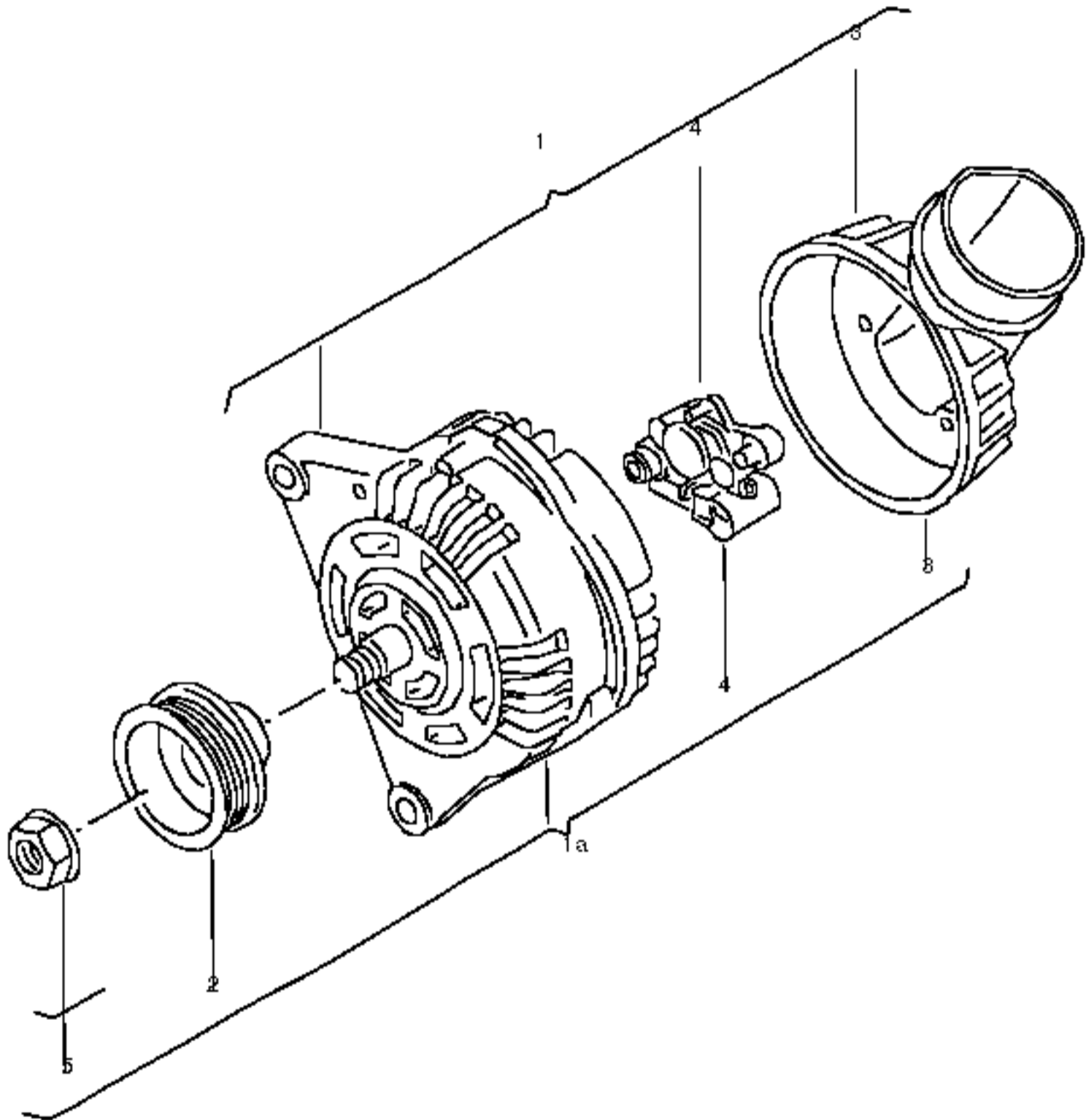
for alternator: / 4,6,8

4 028903803D

voltage regulator

5 028903320C

repair kit for alternator / M16X1,5



alternator and single parts / VALEO

for alternator: / 2,5

1 030903023FX

alternator / 90A

(1) 037903023GX

alternator / 90A

2 030903119C

ribbed belt pulley

for alternator: / 2

(2) 028903119N

ribbed belt pulley

for alternator: / 5

3 030903193

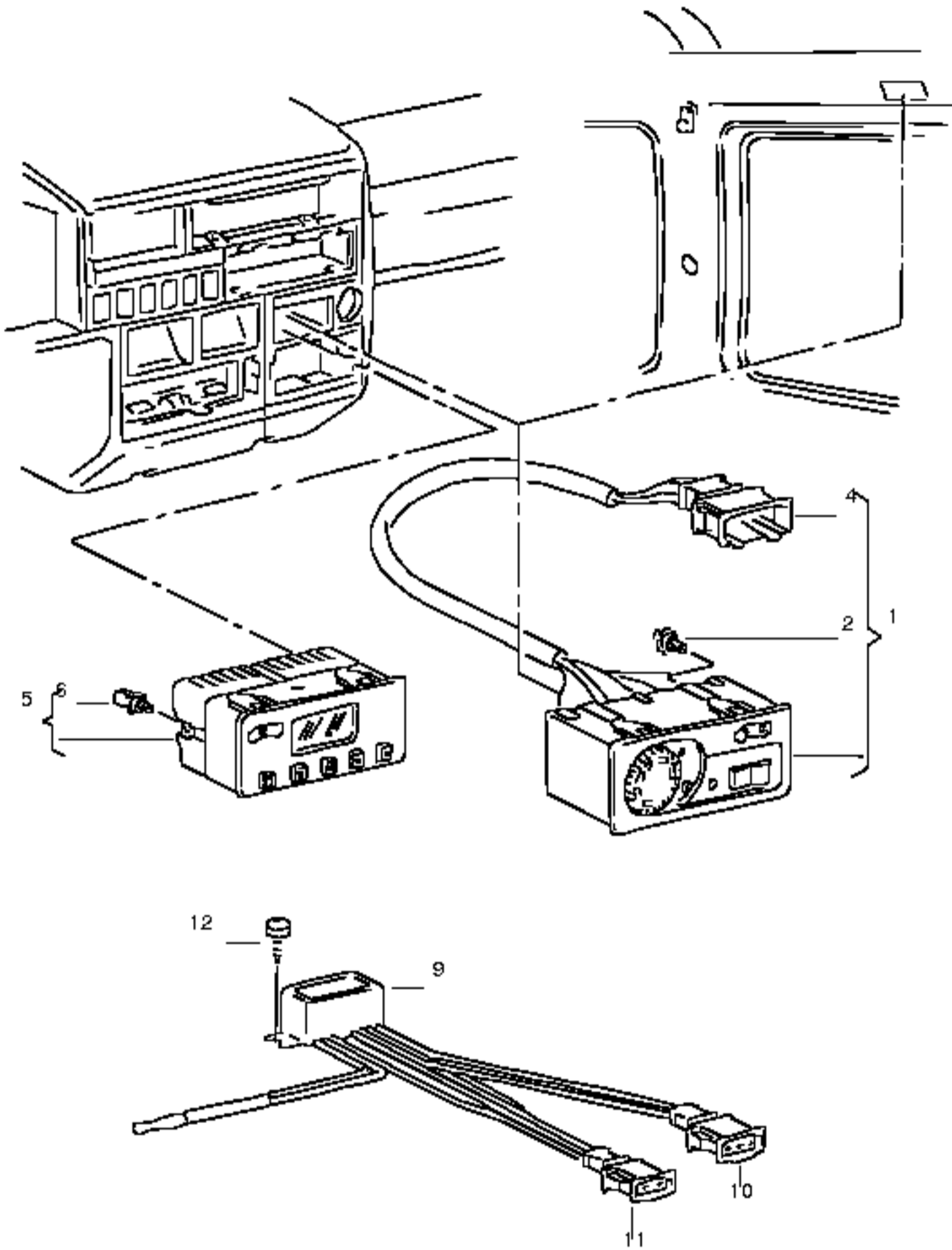
protective cap

4 028903803F

voltage regulator

5 030903181

shouldered nut / M16X1,5



auxiliary heater / lhd
additional heater
thermostat
for vehicles with air condit.

(1) 7D0998261
room temperature regulator
for vehicles with auxiliary heater

2 701919040
bulb with black base / 12V1,2W
/ green

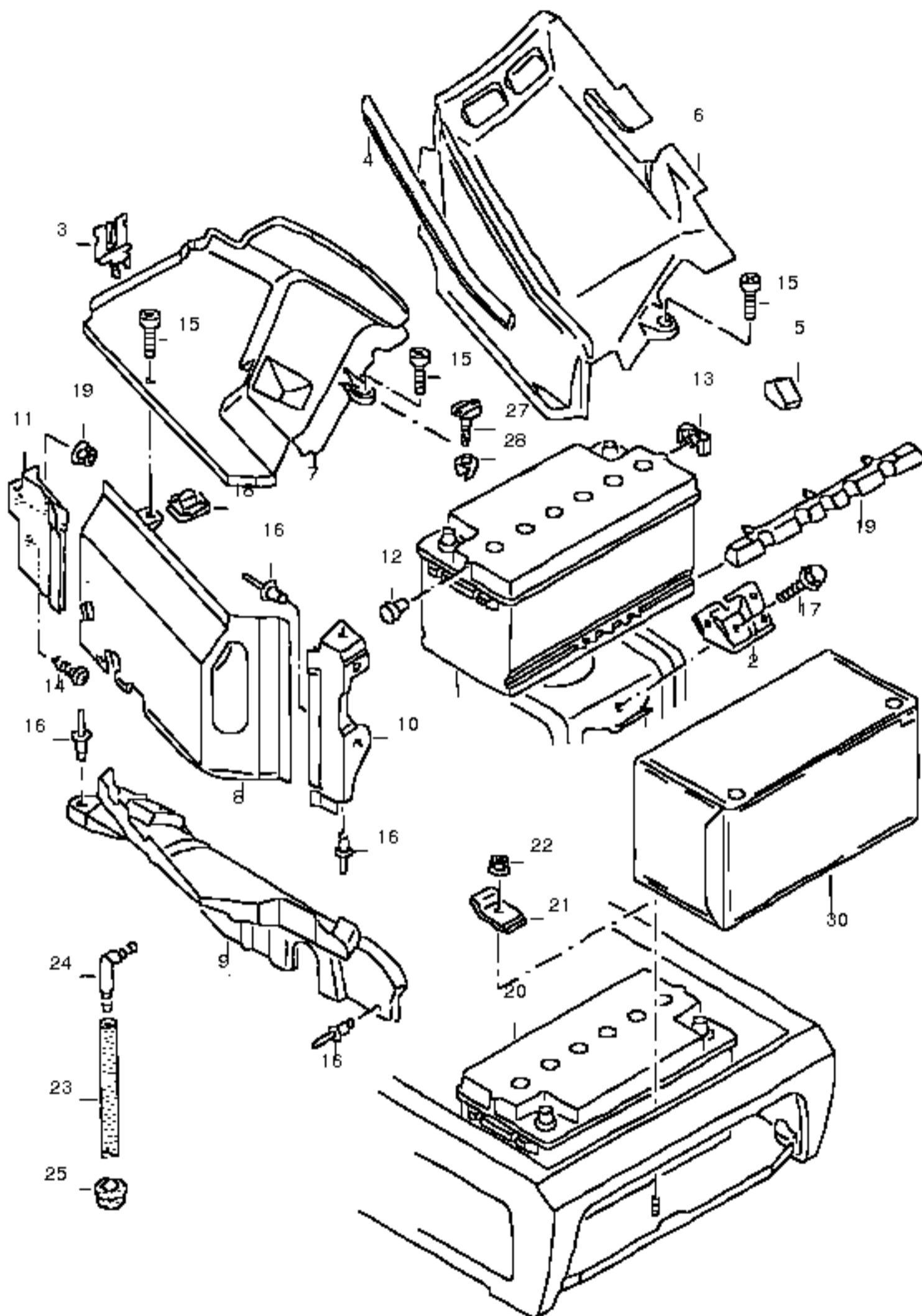
(5) 701963343A
digital clock with heater preselector switch / camp- mobile:
for vehicles with auxiliary heater / CALIF.-EXCL.

6 4A0919040C
bulb / 12V1,1W

10 191972713
flat connector housing / 3 pin

11 191972712
flat connector housing / 2 pin

12 N 0141201
fillister hd. bolt / M4X12



battery mounting

battery

1 000915105AB

battery with charge state indicator, filled and charged / 44AH/220A

(1) 000915105AC

battery with charge state indicator, filled and charged / 60AH/280A

(1) 000915105AD

battery with charge state indicator, filled and charged / 61AH/330A

(1) 000915105AF

battery with charge state indicator, filled and charged / 72AH/380A

(1) 000915105AH

battery with charge state indicator, filled and charged / 95AH/450A

2 7D0915313

clamping strip for battery

3 702915427

clips / rhd

4 7M0915433B

gasket

5 701915434

sealing piece

6 701915430

battery cover / lhd / PR-AC0

(6) 7D1915430F

battery cover / lhd / PR-AC1

7 702915430

battery cover / rhd / PR-AC0

(7) 7D2915430

battery cover / rhd / PR-AC1

8 7D0915437

battery cover / upper

9 7D0915438

battery cover / lower

10 7D0915445B

guide piece / front / PR-AC0

(10) 701915445A

guide piece / front / PR-AC1

11 7D0915446

guide piece / rear

12 251915505

plug

13 191915505

ventilation union

14 N 0139681

oval head panel screw / ST4,8X13-C

15 N 0141405

fillister hd. bolt / M6X15

16 N 0161943

pop-rivet / A4,8X7,6

17 N 0197002

hexagon head bolt c/w shoulder / M8X30

18 N 90342503

snap nut / M6X19,5X18

for vehicles with 2nd battery

20 191915105E

battery / 45AH/220

(20) 191915105M

battery / 63AH/300

21 701915313A

clamping strip for battery

22 N 90183802

hexagon nut, shouldered / M8

23 441915505

hose / 5X1X1760MM

24 893915507

angled piece

25 311949149B

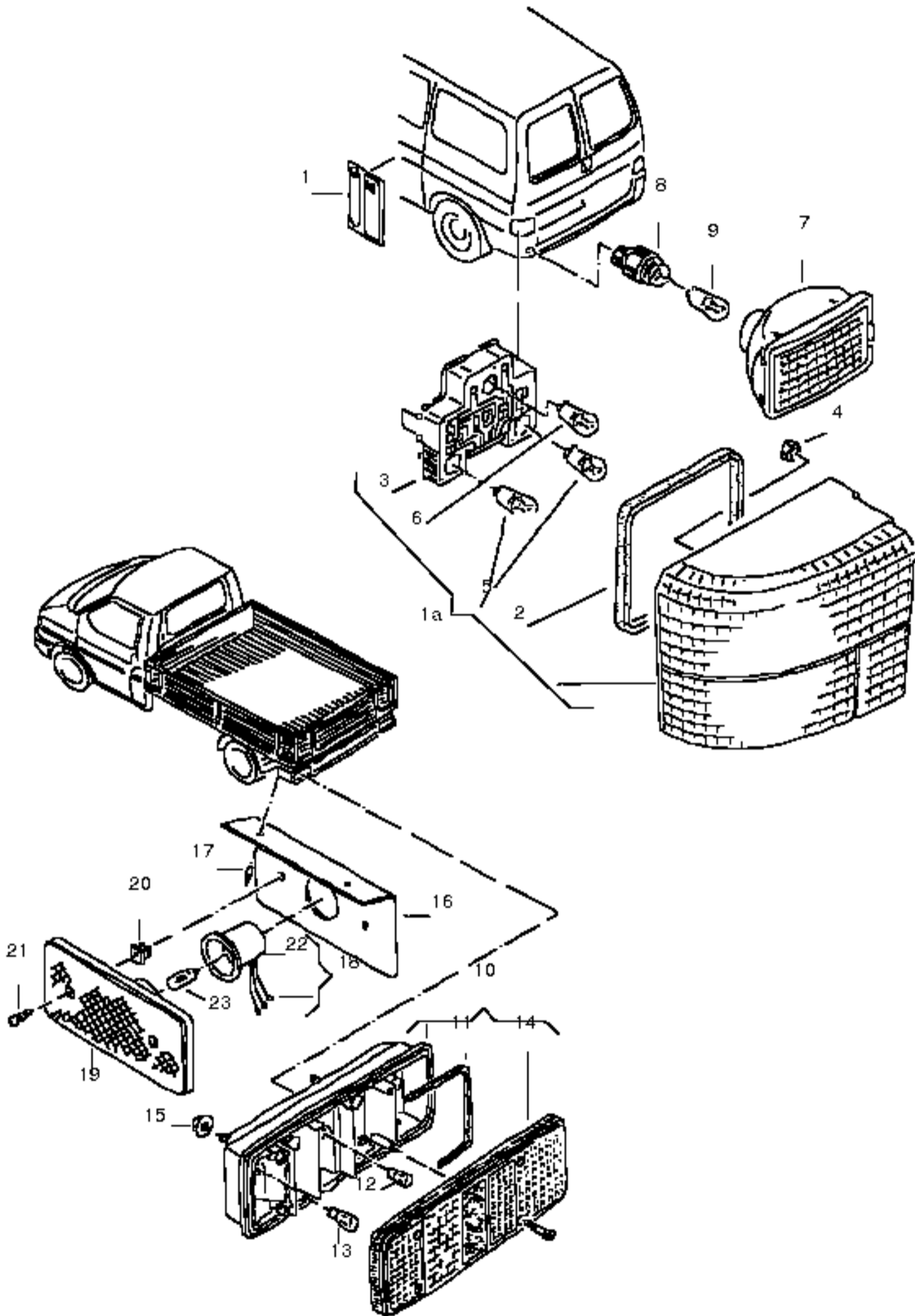
grommet / 13/5

27 701915450

grip pin

28 N 90847501

clips



brake, turn signal and taillights
 rear fog light
 side marker light
 brake, turn signal and taillights / delivery van
 / kombi van

1 703853047
 fluorescent strip / 40X100

1A 701945095
 tail light with turn signal, brake and tail light, and reflector / left
 701945095 01C satin black

(1A) 701945096
 tail light with turn signal, brake and tail light, and reflector / right
 701945096 01C satin black

cover for tail light
 see illustration: / 867-20 POS.11

2 867945191A
 gasket

3 701945257
 bulb holder

4 171857026A
 hexagon nut, shouldered / M5

5 N 0177322
 bulb / P21W12V21W

6 N 0177382
 bulb / P21/5W12V21/5W

rear fog light / delivery van
 / kombi van
 / bus

7 7D0945729
 rear fog light

(7) 701941779
 rear light reflector

(8) 6K0953123B
 socket for bulb

9 N 0177322
 bulb / P21W12V21W

brake, turn signal and taillights / pick-up
 / double cab

10 283945095C
 bulb holder / left

(10) 283945096C
 bulb holder / right

11 411941123
 gasket

12 N 0177192
 bulb / G12V10W

13 N 0177322
 bulb / P21W12V21W

14 283945223F
 lens for brake, tail, turn signal, reversing lights, reflector and rear fog lamp
 yellow/red/white

15 N 90908301
 shouldered hex. nut, self-locking / M8

side marker light / pick-up
 / double cab

16 707945067
 retaining panel

17 N 90576301
 pop-rivet / A4X9X8X1,2

18 321945351
 bulb holder with leads

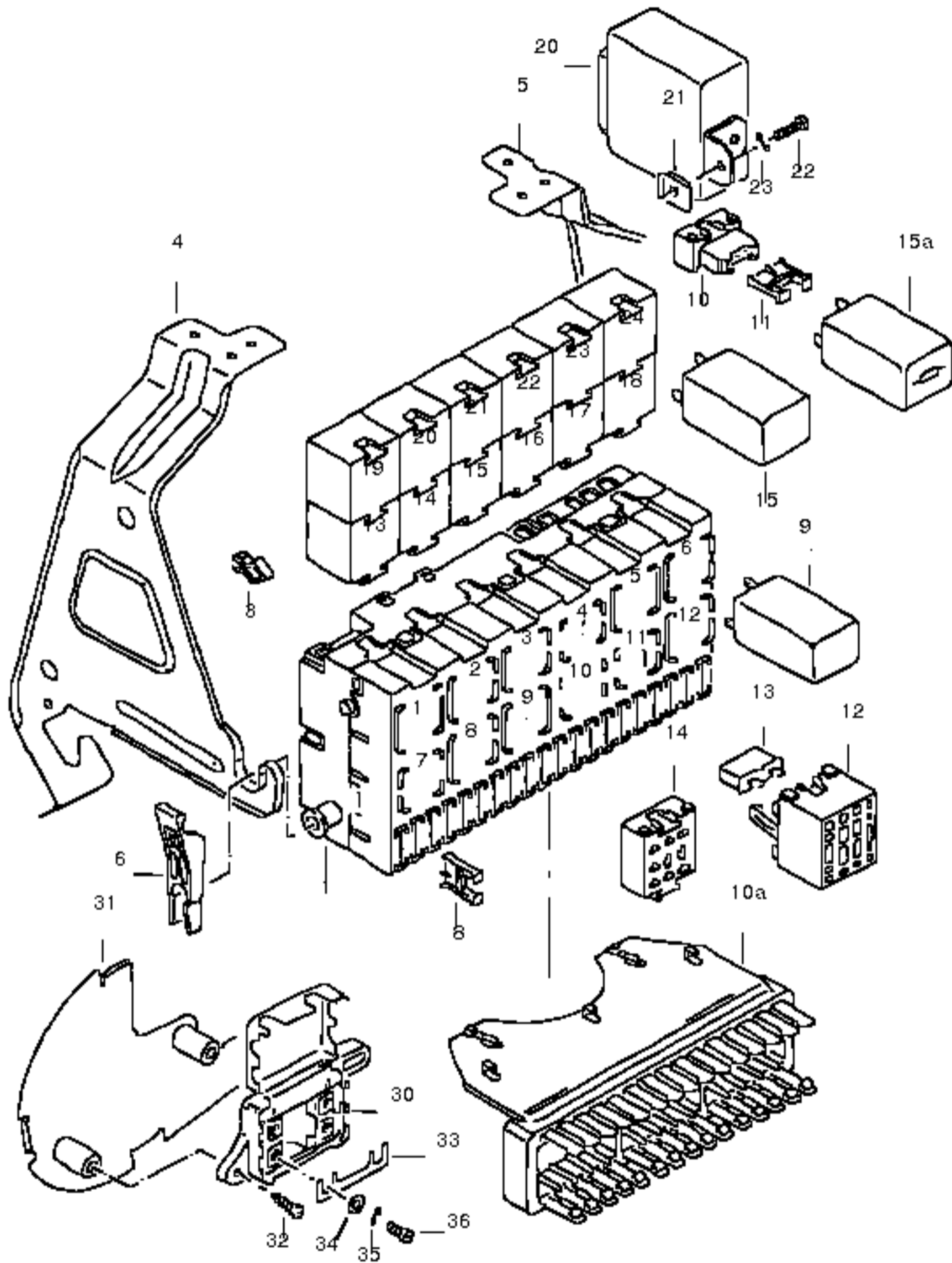
19 321945361A
 side marker light / red

20 N 90535301
 insert nut / 4,2X11

21 N 0139622
 oval head panel screw / ST3,9X16-C

22 433971867
 grommet

23 N 0177172
 bulb / HL12V4W



central electrics

relay
fuse box

1 357937039

central electrics

2 701937541

cable connector / 3 point

3 171937579

tool for fuse replacement
no replacement part

(5) 7D0971825

protection plate

(5) 7D1937071

cover for central electrics
for models with airbag

(6) 1H1941857

lever / left

(6) 1H1941858

lever / right

(8) 357998131A

1 set of flat fuses

(8) N 01713111

flat fuse 19/2x5 / 10-red

(8) N 01713112

flat fuse 19/2x5 / 15-light blue

(8) N 01713113

flat fuse 19/2x5 / 20-yellow

(8) N 01713114

flat fuse 19/2x5 / 25-natural.col

(8) N 01713115

flat fuse 19/2x5 / 30-light green

(8) N 01713116

flat fuse 19/2x5 / 5-light brown

9 171959141A

relay / AAB
for air conditioner
relay location/code no.: / 1/13

(9) 701959141B

relay
for air conditioner
relay location/code no.: / 1/140

(9) 1H0959142

relay / AES,ACV,AEU
for air conditioner
relay location/code no.: / 1/147

(9) 191955529

control unit for rear window wipe/wash system
relay location/code no.: / 2/72

(9) 165906381

relay / AAC
for:
electronic control unit / DIGIFANT I
relay location/code no.: / 3/30

(9) 7M0951253A

contact close relay / 12V40A
for relief relay x contact
relay location/code no.: / 4/18

(9) 111953227D

turn signal/hazard light relay / 12V 4X21W
relay location/code no.: / 6/21

(9) 431953231

turn signal/hazard light relay / 12V 6X21W
for models with towing facility

relay location/code no.: / 6/22

(9) 211953231K

turn signal/hazard light relay / 12V 8X21W
for models with roof mounted turn signal
relay location/code no.: / 6/

(9) 701955200

relay for headlight washer
relay location/code no.: / 7/95

(9) 191955531

control unit for intermittent wash-wipe automatic
relay location/code no.: / 8/19

(9) 3B0955531

control unit for adjustable wash-wipe automatic
relay location/code no.: / 8/99

(9) 3A0951307

buzzer
for lighting
relay location/code no.: / 9/36

(9) 1H0919433A

warning time relay
relay location/code no.: / 9/49

(9) 141951253B

relay
foglight switching: parking and driving lights
relay location/code no.: / 10/53

(9) 141951253B

relay
for horn
relay location/code no.: / 11/53

(9) 191906383C

contact close relay / AAC,ACU
for fuel pump
relay location/code no.: / 12/80(167)

(9) 191911261C

control unit for glow plug / AAB
relay location/code no.: / 12/102

(9) 357911253

control unit for glow plug / ACV
relay location/code no.: / 12/103

(9) 357911253A

control unit for glow plug / ABL
relay location/code no.: / 12/104

10 1H0937530

fuse box for flat fuses / 2 pin

(10) 701937530

fuse box for flat fuses
to be used for: / 701 937 617

10A 701937617

fuse holder / 15-pin

12 191937501

bracket for thermo switch

13 443937105

thermal fuse / 20A

(13) 443937105A

thermal fuse / 30A

14 161937501B

relay plate / 9 pin
/ 2,8/6,5

(14) 867937501

relay plate / 9 pin
/ 2,8/6,5/9,5

15 431951253F

contact close relay / AAB,AAF,ACU
additional water pump
relay location/code no.: / 13/206
to be used for code no.: / 38

(15) 701906123

control unit for diesel engine / 'EGR' / ABL
relay location/code no.: / 13-14/137

(15) 701963281

impulse sender
for vehicles with 2nd heat exchanger
relay location/code no.: / 13/152

(15) 281941587

relay for rotat.emerg.light / 12V
relay location/code no.: / 13/116

(15) 431951253F

contact close relay / automatic:
for vehicles with 2nd heat exchanger / AAB
relay location/code no.: / 13/94
to be used for code no.: / 125

(15) 357907467A

control unit for pneumatic idling speed boost
/ air condit.: / AAB
relay location/code no.: / 14/155

(15) 141951253B

relay
auxiliary heater
air condit.
relay location/code no.: / 14/53

(15) 3A0972559

diagnose connector strip
relay location: / 15+16

(15) 141951253B

relay
relay location/code no.: / 20/53

(15) 191927841

relay / 12V40A / ambulance
fan motor

(15) 111953227D

turn signal/hazard light relay / 12V 4X21W
for headlamps

16 3A0937517

junction box / 8-pin
relay location: / 21,22,23A,29B

(16) 357937517

junction box / 4 point
relay location: / 24-30

emergency siren system relay / police
for high volume horn / fire brigade
/ ambulance

20 191951273

emergency siren system relay
for high volume horn

21 N 90356203

snap nut / M5X17X17

22 N 0141335

fillister hd. bolt / M5X12

23 N 0122224

spring washer / A5X10X0,5

fuse box / diesel eng.

30 281937505A

fuse box without fuses

31 701937509

retainer
fuse box

32 433862195

screw / 4,2X16

33 N 0171253

fuse / B80

34 N 0115562

washer / 5,3X9,5X1

35 N 0120053

spring ring / B5

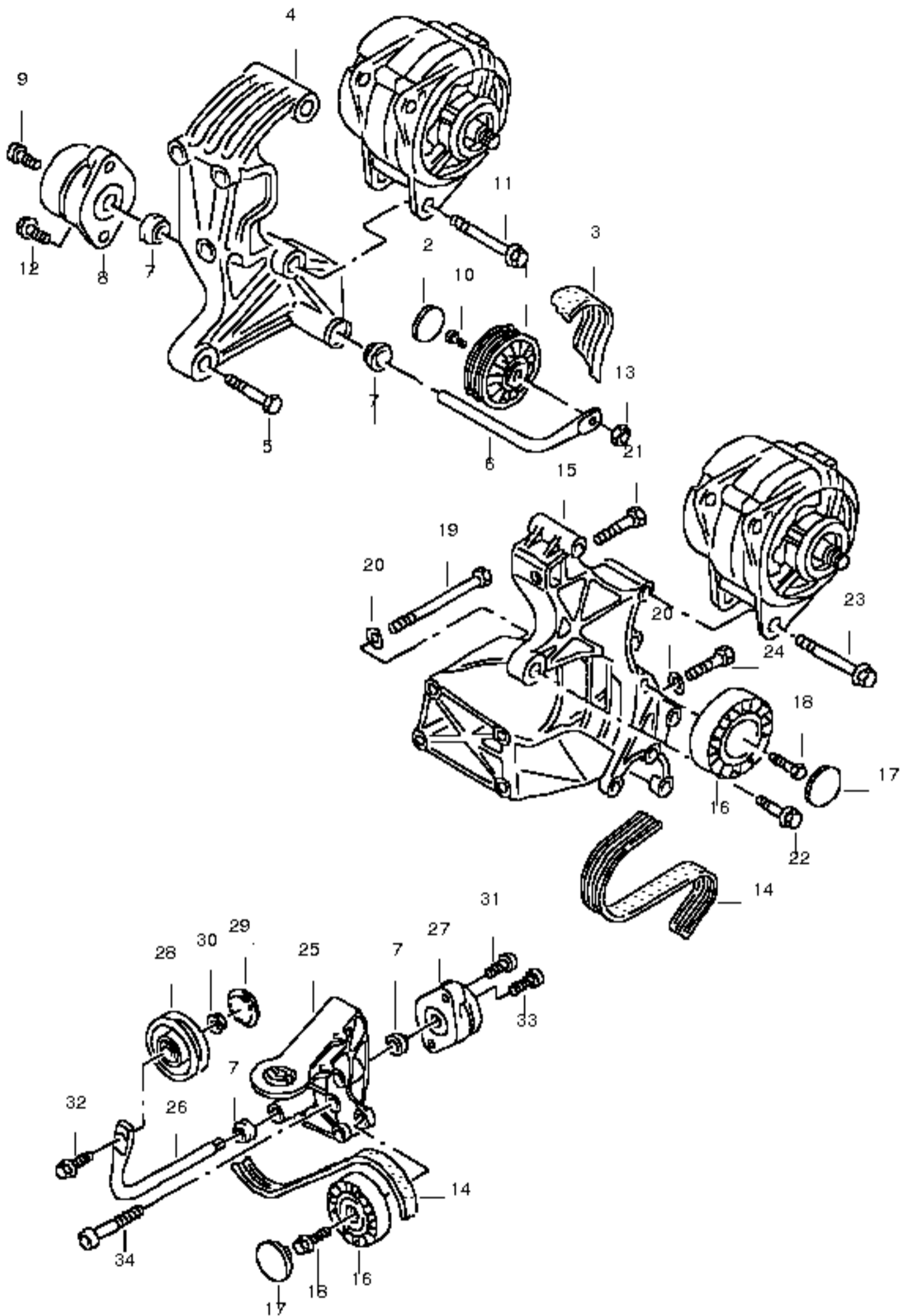
36 N 01412811

fillister hd. bolt / M5X8

control unit for heated seat

40 1E0919533

control unit for heated seat



connecting and mounting parts for alternator / 2.4/2.5ltr.
/ AAB,ACV,ACU, / AEN

1 028145278E
relay roller / 78MM
with threaded bush / M8
only for: / 074 903 139 B

(1) 074145278C
relay roller / 78MM
no threaded bush / 074 903 139 C

2 028145291B
protective cap
only for: / 028 145 278E

3 074145933AL
ribbed v-belt / 21,36X1355MM / AAB,ACU,AEN

(3) 074145933AK
ribbed v-belt / 21,36X1767MM / ACV

(3) 074260849AB
ribbed v-belt / 21,36X2236MM / ACV
for vehicles with air condit.

4 074903139C
bracket for alternator / AAB,ACU,AEN

(4) 074145167C
bracket for alternator / ACV

5 N 0103506
hexagonal head bolt / M8X50

6 074903308A
tensioning lever

- G 052735A2
universal grease / 120G

7 028903310
dust cap

8 028903315R
tensioner

9 N 0147404
allen key head bolt / M6X16

10 N 90493801
allen key head bolt / M8X22

11 N 10120803
hexagon head bolt c/w shoulder / M8X85

12 N 90493801
allen key head bolt / M8X22

13 N 01100830
hexagonal nut / M8

connecting and mounting parts for alternator / 2.4/2.5ltr
/ AAB,ACV,ACU, / AEN

for models with power take-off

14 074903137AS
ribbed v-belt / 21,36X2074MM

15 074145167C
bracket for alternator

16 074145278E
relay roller / 90

17 037145291
protective cap

18 N 0102706
hexagonal head bolt / M8X40

19 N 0104962
hexagonal head bolt / M10X120

20 N 01152711
washer / A10,5X21X2

21 N 0195042
hexagon head bolt c/w shoulder / M8X45B

22 N 0903142
hexagon head bolt (combi) / M10X38Z1

23 N 10120803
hexagon head bolt c/w shoulder / M8X85

24 N 0402811
fitted bolt / M10X45

25 074199207M
support / right

also use: / 028 903 313

/ 074 103 390 G

/ N 010 240 22

- 028903313
sliding sleeve

26 074903308B
tensioning lever

- G 052735A2
universal grease / 120G

27 044903315C
tensioner

28 074145278F
tensioning roller / 76

29 077903343
protective cap

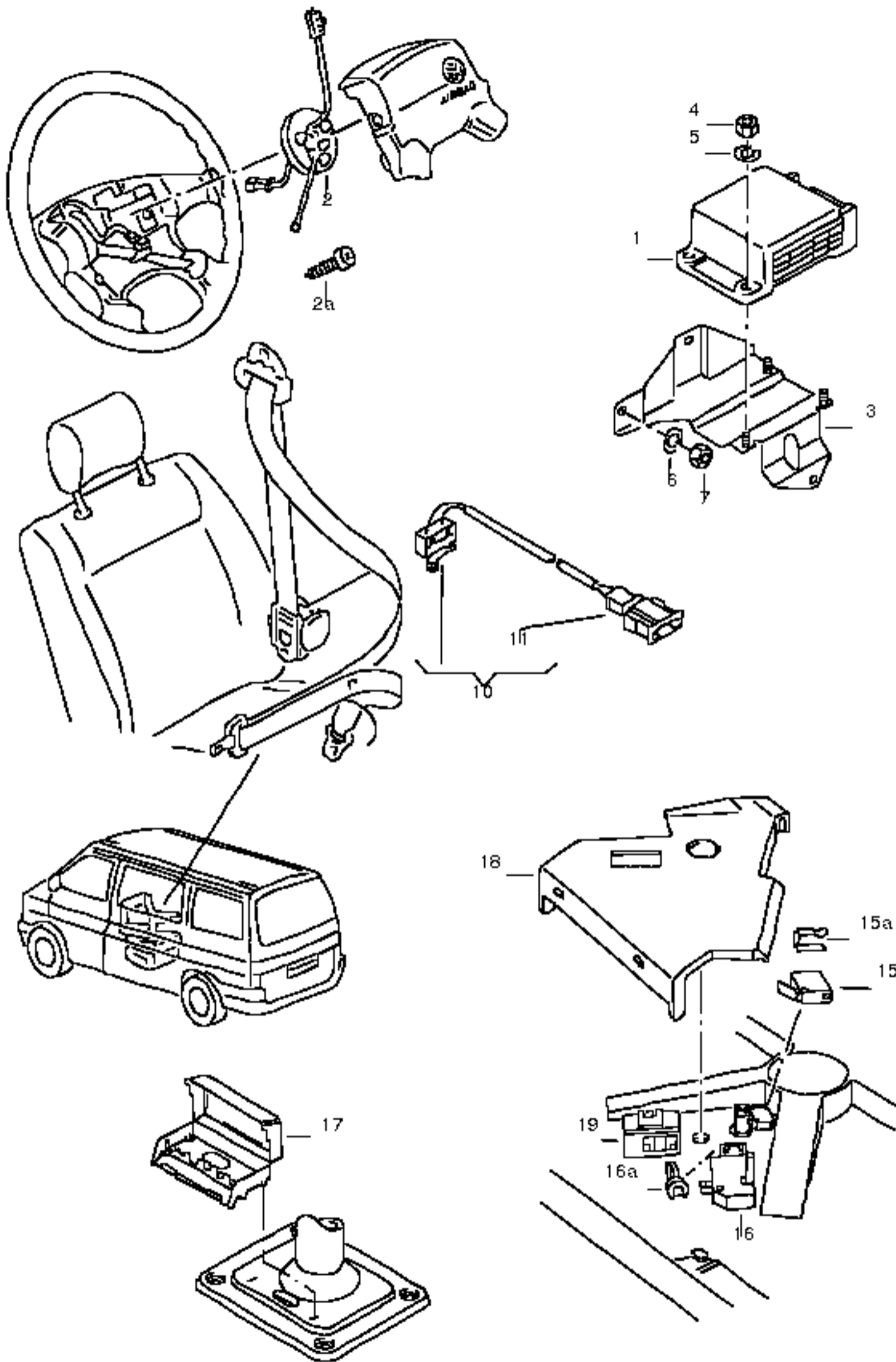
30 N 01100830
hexagonal nut / M8

31 N 0147067
allen key head bolt / M8X12

32 N 0147091
allen key head bolt / M8X22

33 N 0147404
allen key head bolt / M6X16

34 N 0104607
hexagonal head bolt / M10X60



control unit for airbag

1 6N0909603AQ

control unit for drivers airbag

part number must be ordered manually with
details of vehicle chassis number.

(1) 6N0909603AR

control unit for driver and passenger airbag

part number must be ordered manually with
details of vehicle chassis number.

2 1H0959653E

return ring with slip ring

- N 0141228

fillister hd. bolt / M4X8

3 701959657

retainer / lhd

(3) 702959657A

retainer / rhd

4 N 01100624

hexagonal nut / M6

5 211805243

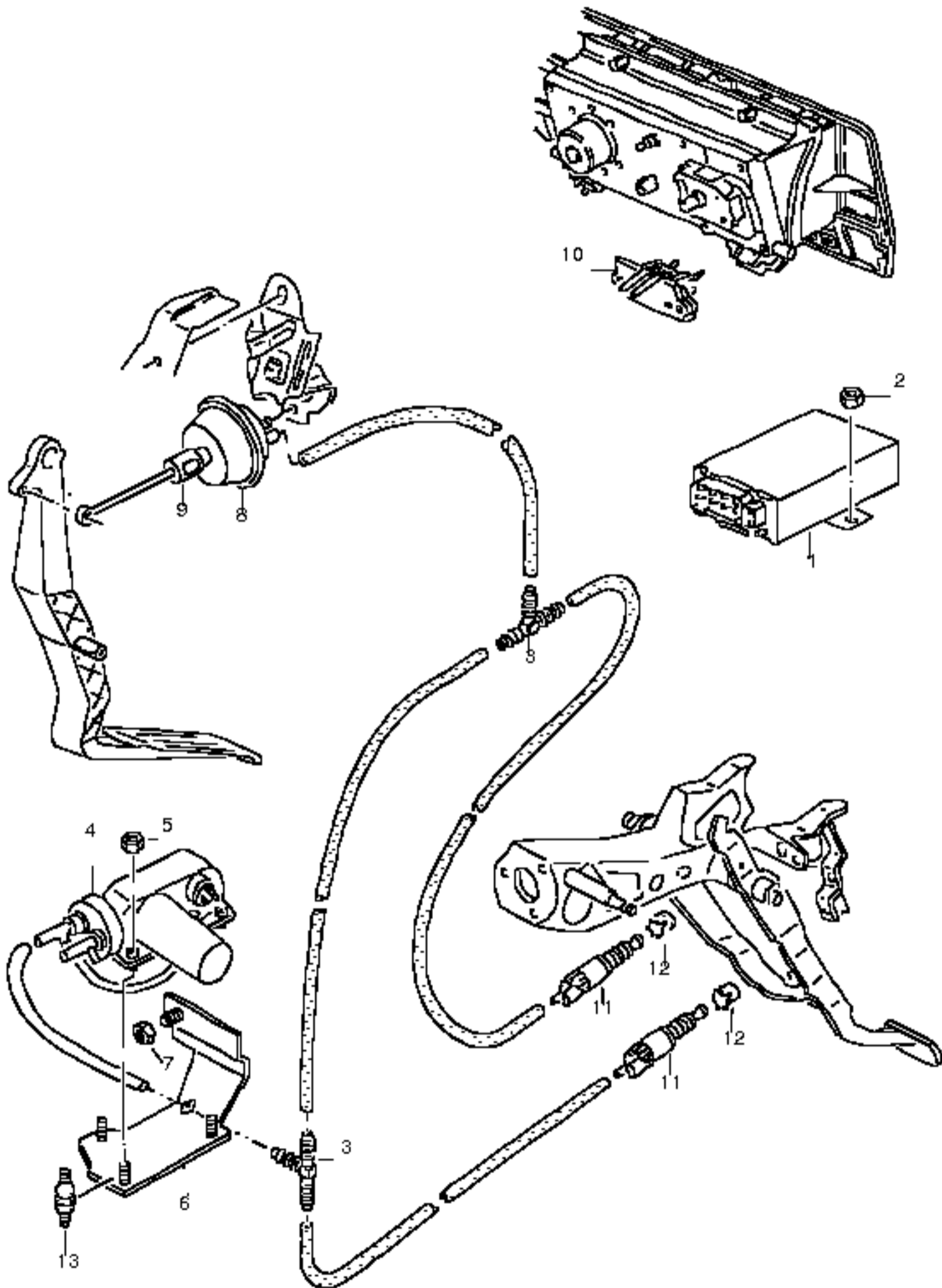
spring washer / 6,4X17

6 N 90330201

washer / 8,4X20X1,6

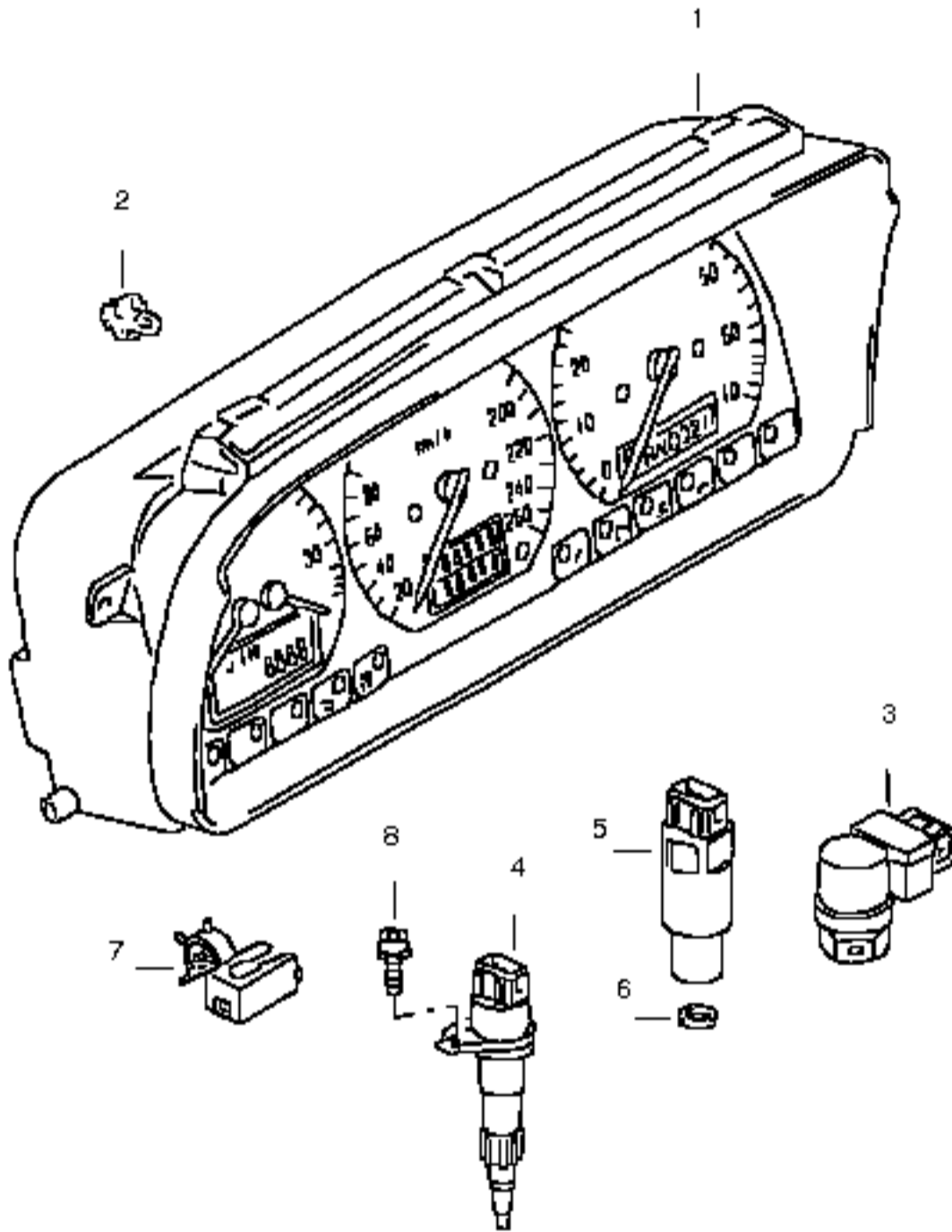
7 N 0110088

hexagonal nut / M8



cruise control system

- 1 443907305A
speed regulator
- 2 171201969
hexagon nut, shouldered / 5
- 3 811907428
t-piece / 6/6/6
- (4) 701907325A
vacuum pump
- 5 N 01100517
hexagonal nut / M5
- 6 701907341C
retainer
vacuum pump
- 1H0907349
damper
- 7 N 0110088
hexagonal nut / M8
- 8 165907327
throttle control element
- 9 535907519
hexagonal nut
- 10 357907345A
hall sender
- 11 811907343B
ventilation valve / manual gearbox
/ automatic
- 12 431721283B
clip / 13 / manual gearbox
/ automatic
- N 0180463
hose in coils of 5m 'order unit 5' / 5X2,5



dash panel insert
distance sensor
dash panel insert
for models with analogue clock

(1) 7D0919850JX
dash panel insert / 220KM/H / AAC
7D0919850JX01C satin black

(1) 7D0919850KX
dash panel insert / 220KM/H / ACU,AEN
7D0919850KX01C satin black

(1) 7D0919850LX
dash panel insert / 220KM/H / AAB,ABL,AJA
7D0919850LX01C satin black

(1) 7D0919900FX
dash panel insert / 140MPH / AAC
7D0919900FX01C satin black

(1) 7D0919900EX
dash panel insert / 120MPH / AAB,ABL
7D0919900EX01C satin black

dash panel insert
for models with revolution counter

(1) 7D0919862QX
dash panel insert / 220KM/H / AAC
7D0919862QX01C satin black

(1) 7D0919862PX
dash panel insert / 220KM/H / ACU,AEN
7D0919862PX01C satin black

(1) 7D0919862NX
dash panel insert / 220KM/H / automatic: / ACU,AEN
7D0919862NX01C satin black

(1) 7D0919862MX
dash panel insert / 220KM/H / AES
7D0919862MX01C satin black

(1) 7D0919861MX
dash panel insert / 220KM/H / automatic: / AES
7D0919861MX01C satin black

(1) 7D0919862KX
dash panel insert / 200KM/H / ABL
7D0919862KX01C satin black

(1) 7D0919862JX
dash panel insert / 200KM/H / AAB
7D0919862JX01C satin black

(1) 7D0919861QX
dash panel insert / 220KM/H / automatic: / AAB
7D0919861QX01C satin black

(1) 7D0919862GX
dash panel insert / 200KM/H / ACV
7D0919862GX01C satin black

(1) 7D0919860QX
dash panel insert / 220KM/H / "AUS":AAC
7D0919860QX01C satin black

(1) 7D0919863AX
dash panel insert / 220KM/H / "AUS":ACU
7D0919863AX01C satin black

(1) 7D0919860SX
dash panel insert / 220KM/H / AUTOMATIC / "AUS":ACU
7D0919860SX01C satin black

(1) 7D0919862CX
dash panel insert / 220KM/H / automatic/
/ "AUS":AES
7D0919862CX01C satin black

(1) 7D0919862EX
dash panel insert / 200KM/H / "AUS":AAB,
7D0919862EX01C satin black

(1) 7D0919910MX
dash panel insert / 140MPH / ACU
7D0919910MX01C satin black

(1) 7D0919910NX
dash panel insert / 140MPH / automatic: / ACU
7D0919910NX01C satin black

(1) 7D0919911EX
dash panel insert / 140MPH / automatic: / AES
7D0919911EX01C satin black

(1) 7D0919911DX
dash panel insert / 120MPH / automatic: / AAB
7D0919911DX01C satin black

(1) 7D0919911CX
dash panel insert / 120MPH / ACV
7D0919911CX01C satin black

dash panel insert
for vehicles with multi function indicator

(1) 7D0919881GX
dash panel insert / 220KMH / ACU,AEN
7D0919881GX01C satin black

(1) 7D0919880PX
dash panel insert / 220KM/H / automatic: / ACU
7D0919880PX01C satin black

(1) 7D0919880QX
dash panel insert / 220KM/H / AES
7D0919880QX01C satin black

(1) 7D0919881DX
dash panel insert / 220KM/H / automatic: / AES
7D0919881DX01C satin black

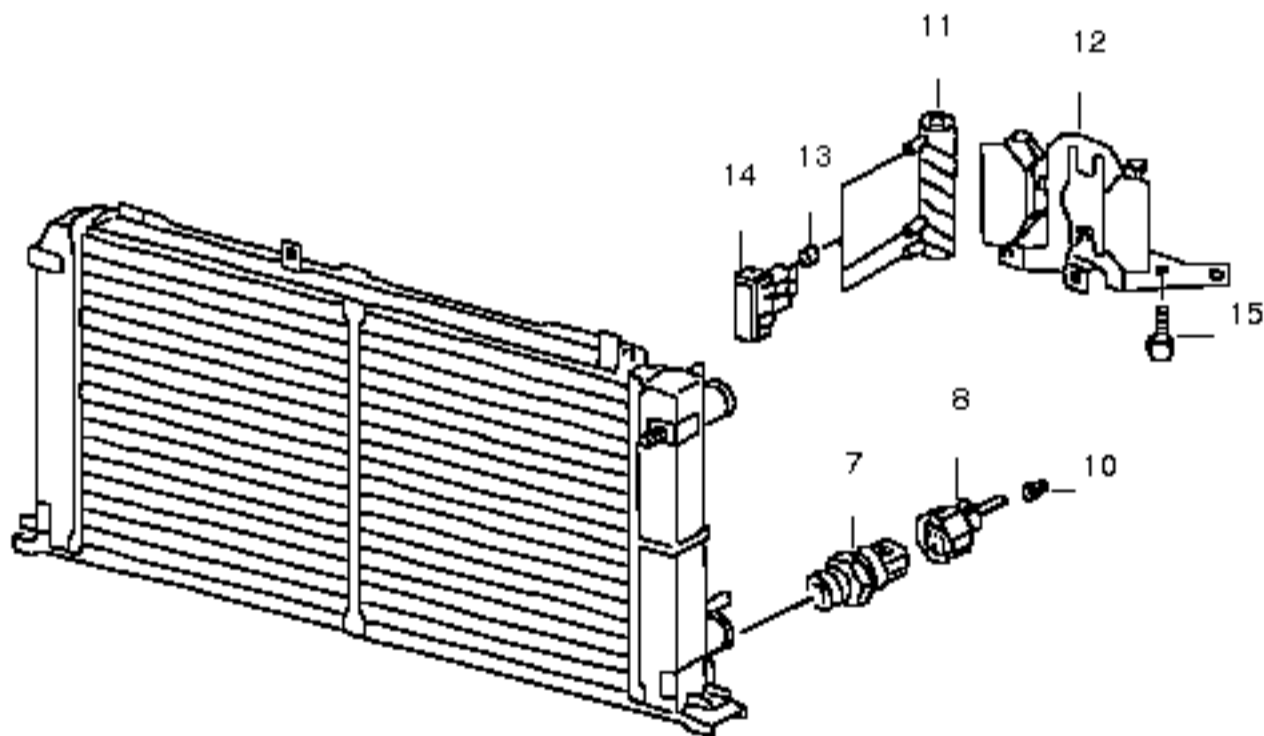
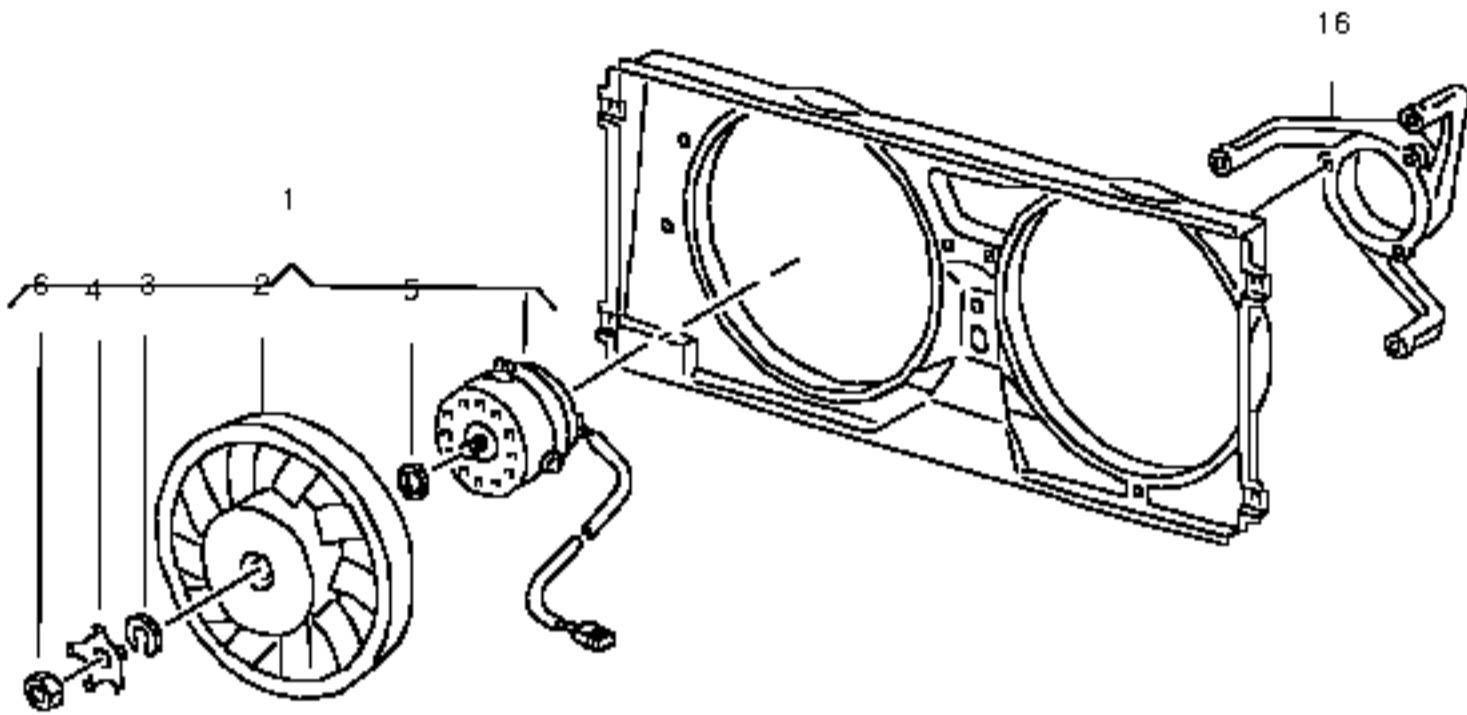
single parts

2 893919040A
bulb / 12V2W
for dashboard lighting

5 357919149
distance sensor / 3 pin

6 871957825
seal / 9,6/16MM

7 701957845
retainer, swivelling with cap for seal / 24MM



electric fan

electric fan / PR-AC1

for models without trailers or for trailers: / 0-0,75T

(1) 7D0959455M

electric fan / 350W 345MM / ABL,AAB,ACV, / VALEO / AAC,AEN,ACU, / AES

electric fan / PR-AC1

for vehicle use in warm climates

for trailer towing: / 0,76-2,0T

(1) 7D0959455M

electric fan / 350W 345MM / ACV,AAC,AES;

/ VALEO / manual- gearbox: / AEN,ACU; / automatic: / AAB

(1) 7D0959455K

electric fan / 450W 345MM / ABL;

/ SIEMENS NAMO / manual- gearbox: / AAB;

/ automatic: / AEN,ACU

electric fan / PR-AC1

for vehicles with air condit.

1 7D0959455M

electric fan / 350W 345MM / AAC;

/ VALEO / manual- gearbox: / ACV,AEN,ACU, / AES

(1) 7D0959455K

electric fan / 450W 345MM / ABL,AAB;

/ SIEMENS NAMO / automatic: / ACV,AEN,ACU, / AES

electric fan / PR-AC0

for models without trailers or for trailers: / 0-0,75T

(1) 701959455AM

electric fan / 350W 280MM / AAC,AEN,ACU,

/ VALEO / ACV,ABL,AAB

electric fan / PR-AC0

for models without trailers or for trailers: / 0-0,75T

for vehicle use in warm climates

(1) 701959455AM

electric fan / 350W 280MM / manual- gearbox:

/ VALEO / AEN,ACU

(1) 701959455AM

electric fan / 350W 280MM / AAC,ACV / VALEO

(1) 701959455J

electric fan / 450W 280MM / ABL,AAB;

/ BOSCH / automatic: / AEN,ACU

electric fan / PR-AC0

for models without trailers or for trailers: / 0-0,75T

for vehicle use in cold climates

(1) 701959455AM

electric fan / 350W 280MM / AAC,ABL,AAB

/ VALEO / AEN,ACU,ACV

electric fan / PR-AC0

for trailer towing: / 0,76-2,0T

(1) 701959455AM

electric fan / 350W 280MM / ABL,AEN,ACU

/ VALEO / AAC,ACV

(1) 701959455L

electric fan / 450W 345MM / AAB

/ BOSCH

electric fan / PR-AC0

for vehicle use in warm climates

for trailer towing: / 0,76-2,0T

(1) 701959455AM

electric fan / 350W 280MM / AAC,ACV

/ VALEO

(1) 701959455J

electric fan / 450W 280MM / ABL;

/ BOSCH / manual- gearbox: / AEN,ACU

(1) 701959455L

electric fan / 450W 345MM / AAB;

/ BOSCH / automatic: / AEN,ACU

electric fan / PR-AC0

for vehicle use in cold climates

for trailer towing: / 0,75-2,0T

(1) 701959455AM

electric fan / 350W 280MM / AAC,ABL,ACV

/ VALEO

(1) 701959455J

electric fan / 450W 280MM / AEN,ACU,AAB

/ BOSCH

electric fan / PR-AC0

for vehicles with air condit.

(1) 701959455AM

electric fan / 350W 280MM / AAC,ACV

/ VALEO

(1) 701959455L

electric fan / 450W 345MM / AAB;

/ BOSCH / automatic:

/ AEN,ACU

(1) 701959455J

electric fan / 450W 280MM / manual- gearbox:

/ BOSCH

/ AEN,ACU

fan wheel

2 4A0959465A

fan wheel / 280MM BOSCH

for electric fan: / 1

(2) 701959465A

fan wheel / 280MM

/ SIEMENS NAMO

for electric fan: / 2,3

3 823959473

lock washer

for electric fan: / 2,3,5,6,8

4 701959473

lock washer / BOSCH

for electric fan: / 1,4,7

5 701959477

spacer bush / BOSCH

for electric fan: / 1,4,7

6 1H0959484

hexagonal nut / BOSCH

for electric fan: / 1,4,7

7 701959481

dual thermo-switch / 87C-76C

/ 93C-82C

8 1H0973203

flat contact housing / 3 pin

10 357972741

single wiring seal / 5,6X7,8

/ blue

for wire cross section: / 1,0

(10) 357972742C

single wiring seal / 9,0X7,8

/ green

for wire cross section: / 4,0

11 701959263D

series resistor / 0,09-0,28 / air condit.

12 701971804E

bracket for resistance / PR-AC1

/ air condit.

(12) 7D0971804

bracket for resistance / PR-AC0

/ air condit.

13 357972742B

single wiring seal / 9,0X7,8

/ red

for wire cross section: / 2,5

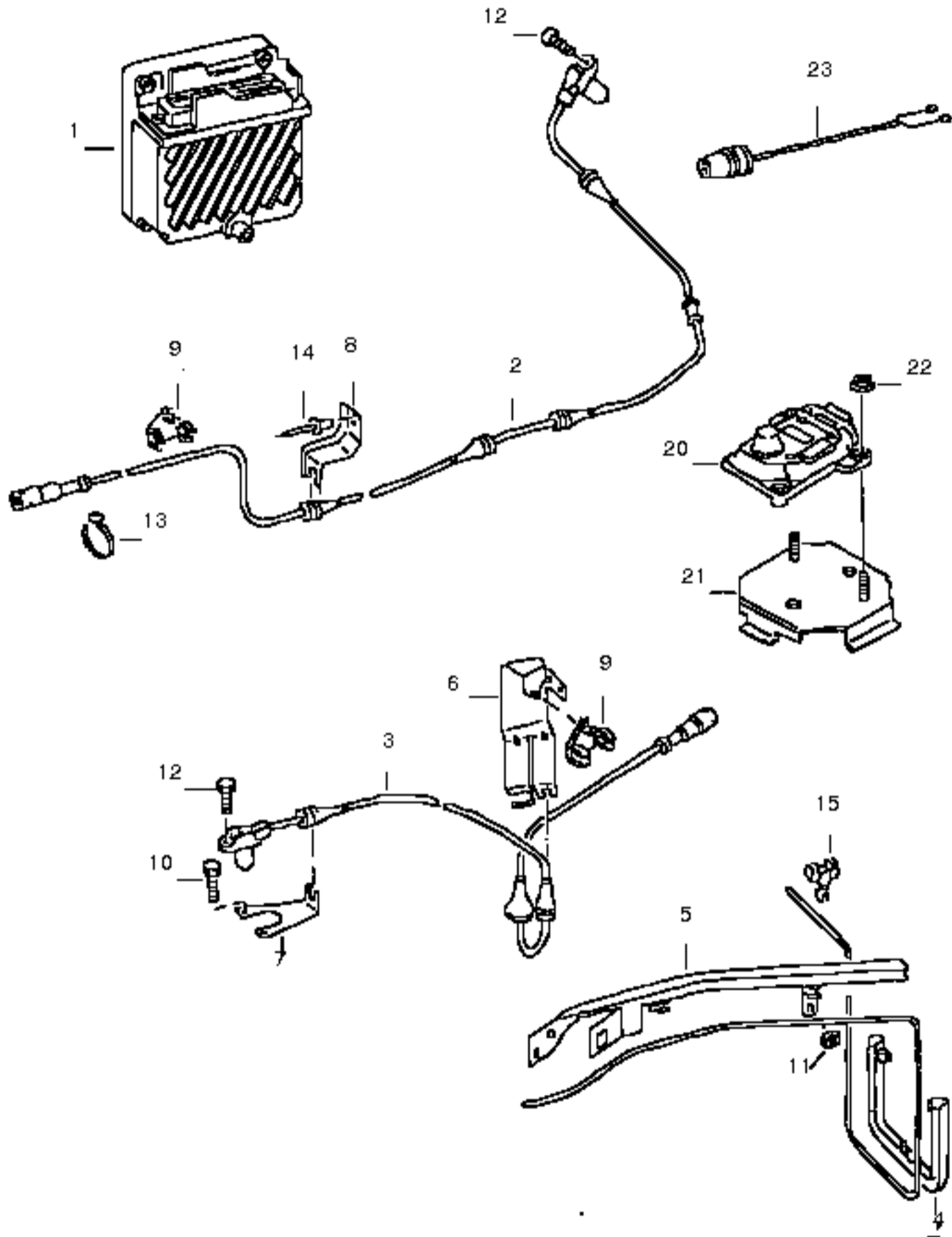
14 357972783

flat connector housing / 3 pin

15 N 01021710

hexagonal head bolt / M6X20

see illustration: / 121-80



electronic control unit for anti-locking brake system-abs-

speed sensor

see illustration: / 614-10

2 701927807D

speed sensor / right rear

(2) 701927807E

speed sensor / left rear

3 701927807F

speed sensor / front

4 701971341

guide tube

5 701971341B

guide tube / left front

(5) 701971341C

guide tube / right front

6 7D0971852A

holder for wiring harness / left front

speed sensor

(6) 7D0971852B

holder for wiring harness / right front

speed sensor

7 7D0971852D

holder for wiring harness / front

speed sensor

also use: / N 014 705 3

- N 0147053

allen key head bolt / M6X25

8 7D0971852C

holder for wiring harness / rear

speed sensor

9 811971848E

cable holder

10 N 0102056

hexagonal head bolt / M5X10

11 N 01100624

hexagonal nut / M6

12 N 0147346

allen key head bolt / M6X22

13 N 90666101

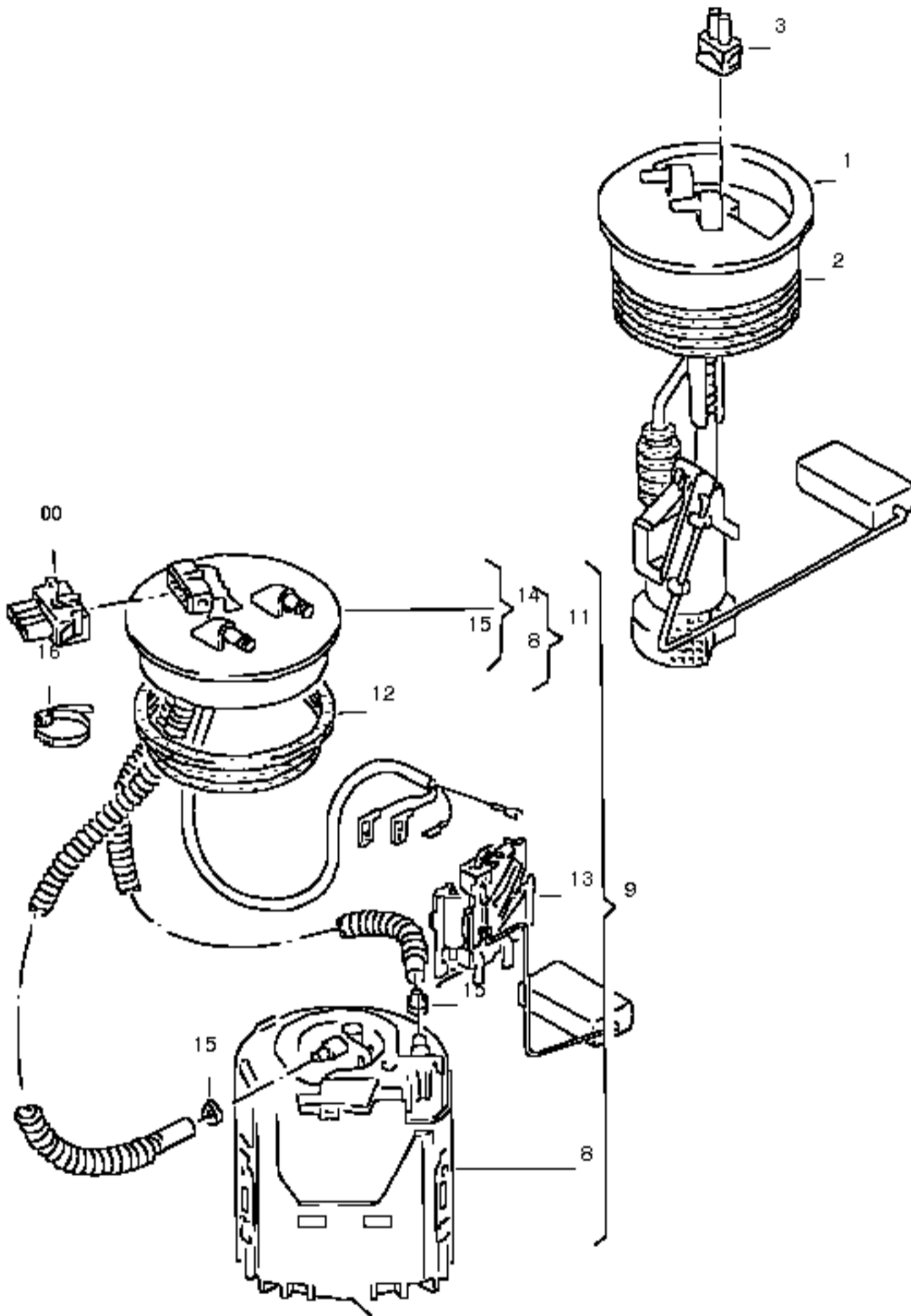
cable tie / 4,5X200

14 N 90478601

pop-rivet / A4,8X11

15 701905787

retainer



fuel delivery unit and fuel gauge sender
fuel gauge sender / diesel eng.

(1) 7D0919183
fuel gauge sender unit

2 1J0919133
seal / 109MM

3 357972752
flat contact housing / 2 pin

fuel delivery unit and fuel gauge sender / otto engine

(8) 1H0919651P
fuel pump with housing / 3BAR VDO

10 357906231
flat contact housing / 4 pin

12 321919133
seal / 109

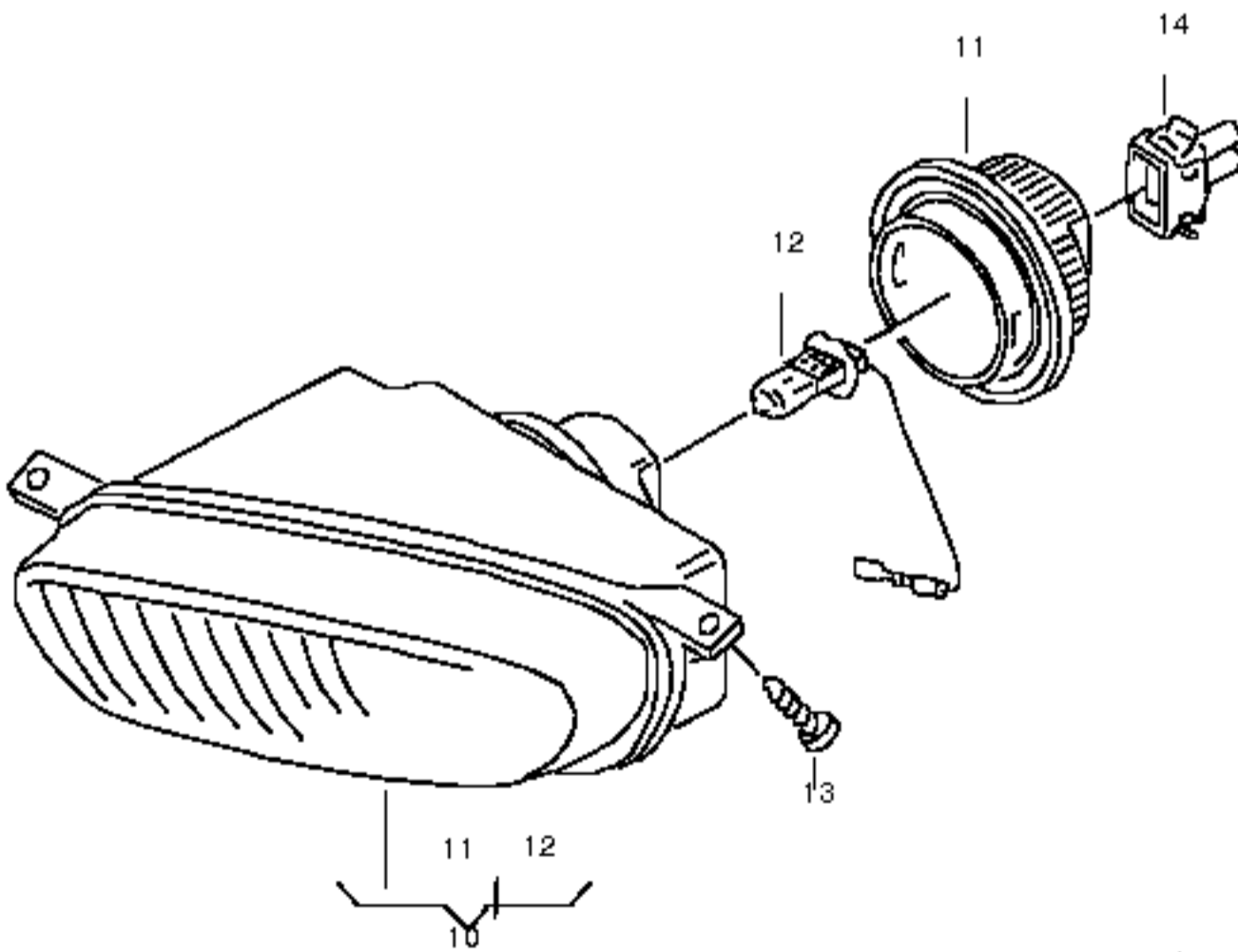
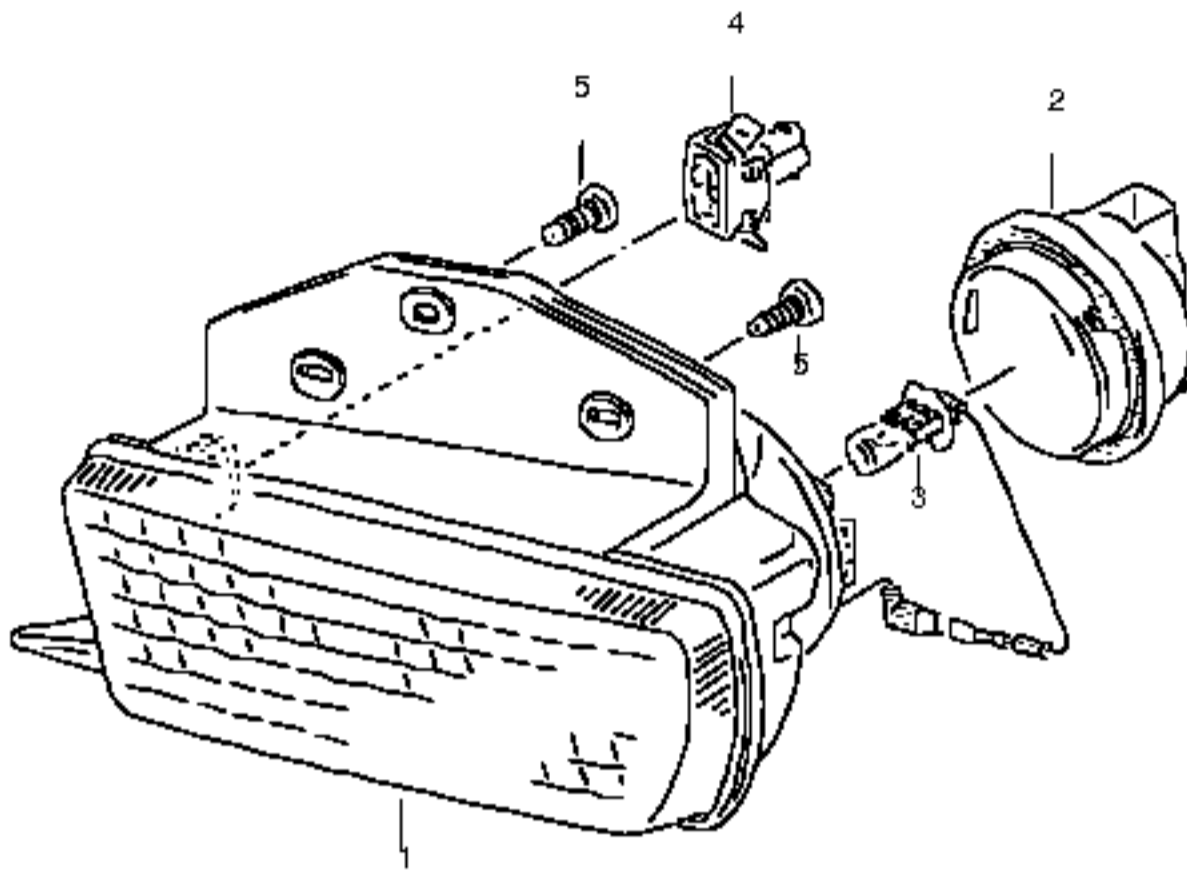
(13) 701919673C
fuel gauge sender

14 701919679G
flange

(14) 701919679J
flange
for models with supplementary heater

15 N 10310001
clamp / 9,4-11,9

16 N 0209022
cable tie / 6X246



halogen fog lamp

10 7D0941699B

halogen fog lamp / left

(10) 7D0941700B

halogen fog lamp / right

11 7D0941617A

cap

12 N 0177622

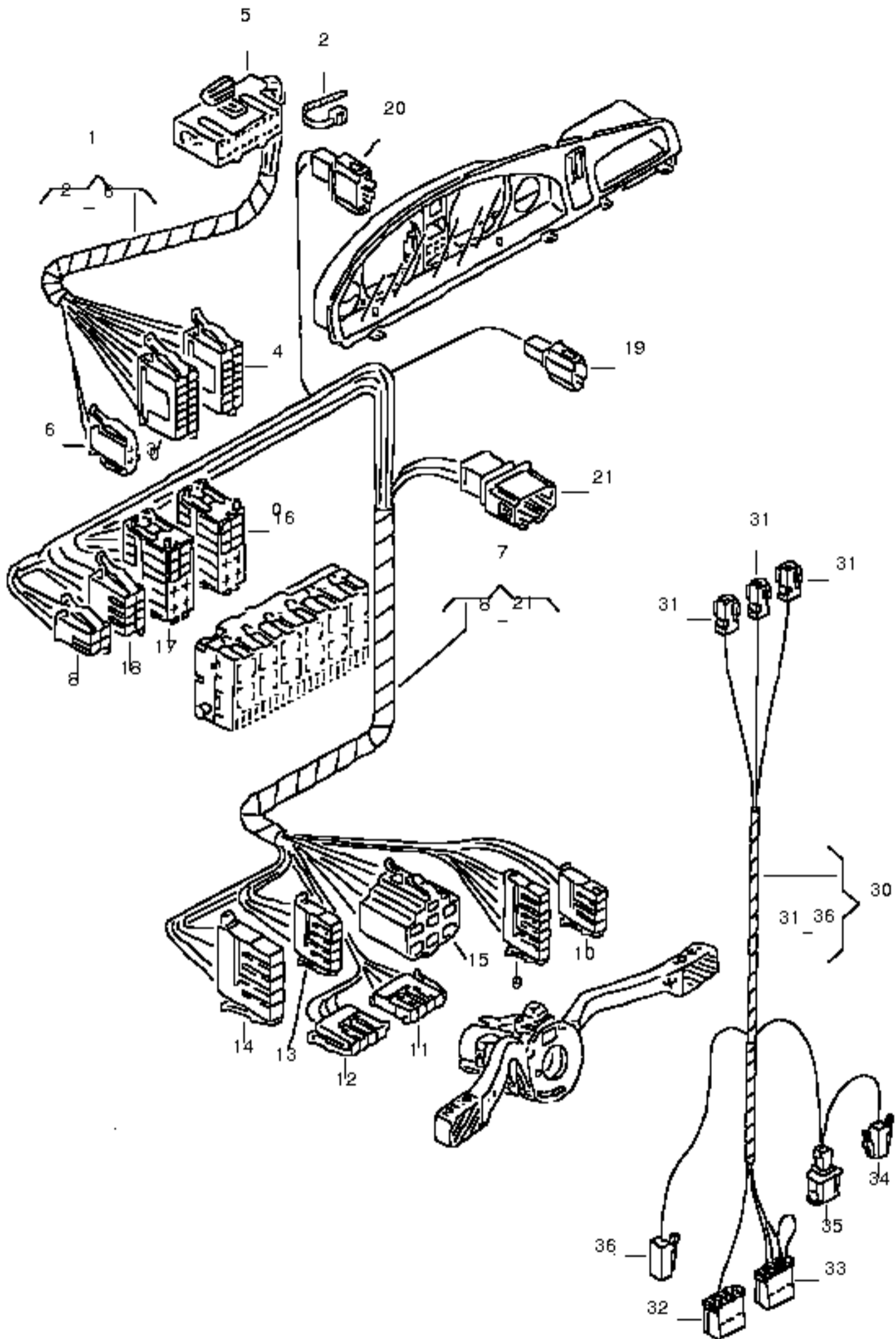
halogen bulb / YC12V55W H3

13 N 90598201

panel screw / 5,8X25

14 357972752

flat contact housing / 2 pin



wiring harness
 instrument housing
 wiring harness
 steering col. combi switch
 wiring harness for instrument housing
 wiring harness for steering column combination switch

(1) 701971051AG
 wiring harness / lhd
 instrument housing

(1) 701971051AJ
 wiring harness / lhd
 instrument housing
 for vehicles with multi function indicator

(1) 702971051R
 wiring harness / rhd
 instrument housing

(1) 702971051S
 wiring harness / rhd / "J.."
 instrument housing

(1) 702971051T
 wiring harness / rhd
 instrument housing
 warning lamp for seat belt

single parts

2 N 0209022
 cable tie / 6X246

(2) N 90710401
 cable tie / 7,0X165

3 357919971D
 flat contact housing / 14 pin
 connector location: / U1

4 357919971C
 flat contact housing / 14 pin
 connector location: / U2

5 357972529
 flat terminal pin housing / 28 pin

6 1J0972702
 flat contact housing / 2 pin

(6) 191972701
 flat terminal pin housing / 1 pin
 coupling piece
 harness for engine compartment
 connecting part / automatic
 gear indicator

wiring harness for steering column combination switch

(7) 7D1971063C
 wiring harness / lhd
 steering col. combi switch

(7) 7D2971063C
 wiring harness / rhd
 steering col. combi switch

single parts

8 357907968
 flat terminal pin housing / 4 pin
 connector location: / V

9 1H0953633
 flat contact housing / 7 pin

10 1H0953633A
 flat contact housing / 4 pin

11 1H0953634
 flat contact housing / 4 pin
 for models with cruise control system

12 1H0953634A
 flat contact housing / 4 pin
 for vehicles with multi function indicator

13 1H0953635
 flat contact housing / 5 pin
 / black

14 1H0953637
 flat contact housing / 5 pin

15 357953631
 flat contact housing / 7 pin

16 357953968
 flat contact housing with helper contact catch / 10 pin
 connector location: / H1

17 357953968A
 flat contact housing with helper contact catch / 10 pin
 connector location: / J

18 357953968B
 flat contact housing with helper contact catch / 8 pin
 connector location: / H2

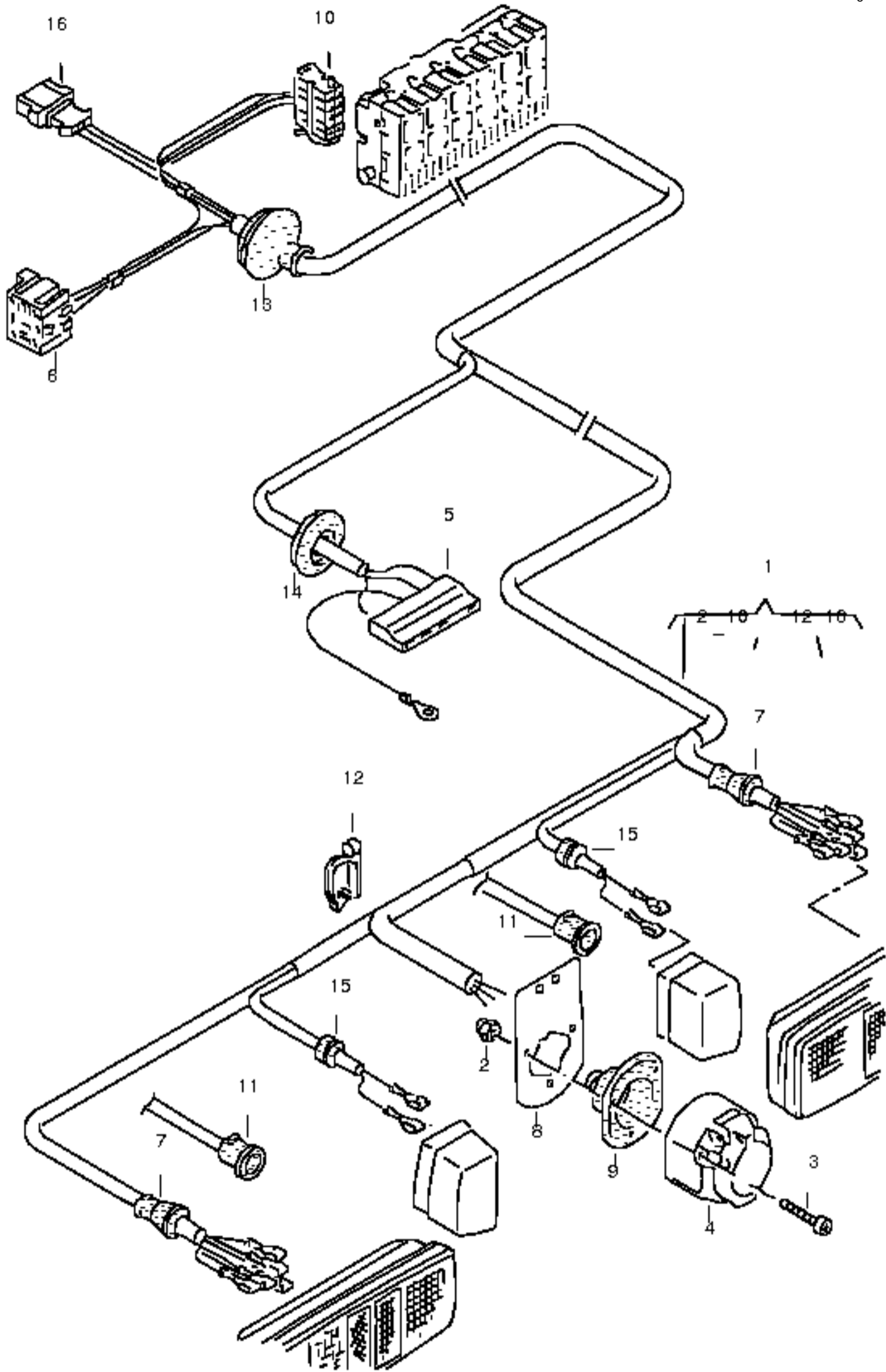
19 191972711
 flat connector housing / 1 pin
 connecting part
 switch - brake light

(19) 191972723
 flat terminal pin housing / 6 pin
 connecting part
 wiring harness
 for additional fan
 emergency light switch

20 191972712
 flat connector housing / 2 pin
 coupling piece
 instrument housing

21 1J0972732
 flat terminal pin housing / 4 pin
 connecting part
 for models with cruise control system

(21) 191972751
 flat contact housing / 1 pin
 connecting part
 for models with dim-dip headlights
 for models with day driving headlights



wiring harness: rear / double cab
/ pick-up

(1) 7D1971011A
wiring harness: rear / lhd

(1) 7D1971011C
wiring harness: rear / lhd
for models with towing facility

(1) 7D1971011D
wiring harness: rear / lhd
for vehicles with 2nd heat exchanger

(1) 7D1971011E
wiring harness: rear / lhd
for models with towing facility
for vehicles with 2nd heat exchanger

(1) 7D2971011A
wiring harness: rear / rhd
(right-hand traffic only)

(1) 7D2971011C
wiring harness: rear / rhd
for models with towing facility

(right-hand traffic only)

(1) 7D2971011D
wiring harness: rear / rhd
for vehicles with 2nd heat exchanger
(right-hand traffic only)

(1) 7D2971011E
wiring harness: rear / rhd
for models with towing facility
for vehicles with 2nd heat exchanger
(left-hand traffic only)

(1) 7D2971011G
wiring harness: rear / rhd
(left-hand traffic only)

(1) 7D2971011J
wiring harness: rear / rhd
for models with towing facility
(left-hand traffic only)

(1) 7D2971011K
wiring harness: rear / rhd
for vehicles with 2nd heat exchanger
(left-hand traffic only)

(1) 7D2971011L
wiring harness: rear / rhd
for models with towing facility
for vehicles with 2nd heat exchanger
(left-hand traffic only)
* insulate unconnected * * cable ends *

single parts

- N 90682201
corrugated pipe end piece / 13

- N 90682601
corrugated pipe end piece / 17

- N 90666101
cable tie / 4,5X200

- 357915971A
flat terminal pin housing / 1 pin
connecting part / rhd
central electrics
connector location: / Z2

- 357915971B
flat terminal pin housing / 1 pin
connecting part / rhd
central electrics
connector location: / 30,30B

5 867919993
flat terminal pin housing / 4 pin
connecting part
additional heat exchanger

7 141941199A
grommet / 14,5/6

- 7D0945527
grommet
connecting part
for trailer towing

10 357945968
flat contact housing with helper contact catch / 12 pin

(12) N 90643701
cable tie with retainer for welded pin: / 10X187
/ 5

(13) 1H0971840
grommet / 46/16

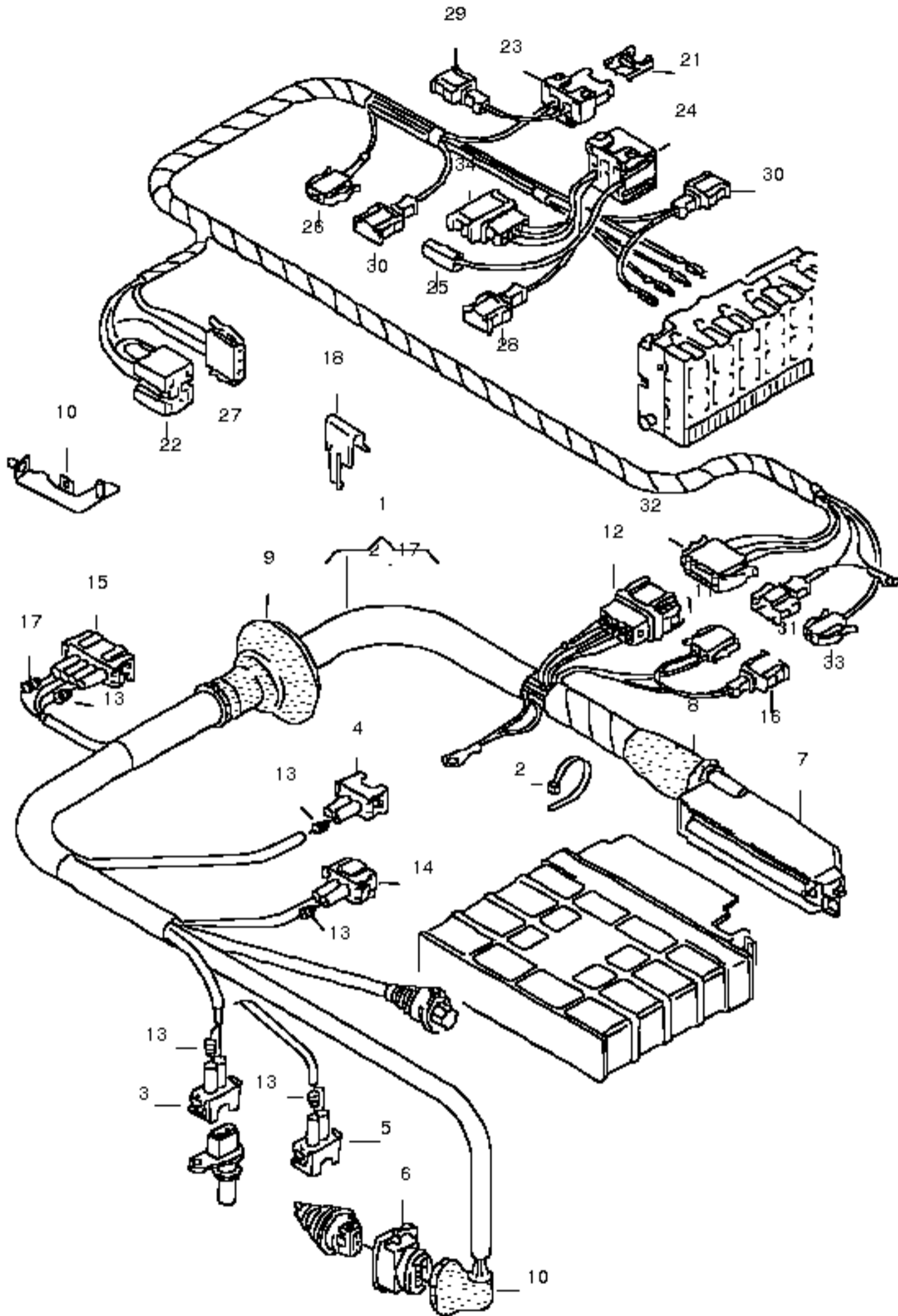
(14) 867971872
grommet / 39,5/8

15 481971915
grommet / 9,5/2,4

16 191972763
flat contact housing / 3 pin
connecting part
switch
additional heat exchanger

(16) 1J0972752
flat contact housing / 2 pin
connecting part / rhd
relay
for relief relay x contact

- 3A0973734
flat contact housing / 8 pin
coupling piece
wiring harness for trailer socket
use if required: / 7D0 945 527



wiring harness for 4-speed automatic gearbox
see list of locally- made looms / see no.:
/ 1-774

(1) 7D1971774N
wiring harness for 4-speed automatic gearbox / AES,AEU,AET

(1) 7D1971774M
wiring harness for 4-speed automatic gearbox / AAB

(1) 7D1971774P
wiring harness for 4-speed automatic gearbox / ACU

single parts

- 191927397
securing ring
rd. connector sleeve housing
valve body

- 1H1971158A
wiring harness
round connector housing
valve body
** see current flow diagram **

(2) N 0209022
cable tie / 6X246

3 037906240
flat contact housing / 2 pin

4 037906240
flat contact housing / 2 pin
full throttle switch

5 037906240
flat contact housing / 2 pin / diesel eng.
speed sensor
engine

(6) 3A0973207A
flat contact housing

(7) 1H0906370J
flat contact housing with gasket / 68 pin

8 191906376A
protective cap / 20,5X11

9 251971905C
grommet / 52X16

10 701971787
retainer / AAB,ACV
connecting part
kick down actuator

(11) 191972701
flat terminal pin housing / 1 pin
coupling piece
wiring harness for anti-lock brake system -abs-

11 1J0972702
flat contact housing / 2 pin

(12) 191972725
flat terminal pin housing / 10 pin

- 191972734
flat contact housing / 8 pin / AAB,AES,ACU

13 357972741A
single wiring seal / 5,6X7,8
/ red
for wire cross section: / 1,5

(15) 357972753
flat contact housing / 3 pin / diesel eng.
setting lever
potentiometer

(16) 191972763
flat contact housing / 3 pin

(16) 191972733
flat terminal pin housing / 6 pin
coupling piece / 1,0
wiring harness for engine / 2,5

(16) 191972734
flat contact housing / 8 pin
coupling piece / 1,0
wiring harness for engine / 2,5

17 357972841
plug / 5,6X7,8 / DIGIFANT

18 7M0971445E
wiring conduit

(18) 7D0971848A
cable holder / automatic

wiring harness adapter
for 4-speed automatic gearbox

(20) 7D1971774H
wiring harness adapter / lhd
4 speed automatic gearbox

(20) 7D2971774F
wiring harness adapter / rhd / AAB
4 speed automatic gearbox

(20) 7D2971774G
wiring harness adapter / rhd / AES
4 speed automatic gearbox

(20) 7D2971774H
wiring harness adapter / rhd / ACU
4 speed automatic gearbox

see list of locally- made looms / see no.:
/ 1-774
for vehicles with tachograph

single parts

21 N 01713111
flat fuse 19/2x5 / 10-red

23 1H0937530
fuse box for flat fuses / 2 pin

24 161937501B
relay plate / 9 pin

(25) 3A0972751H
flat contact housing / 1 pin

(26) 1H0972701
flat contact housing / 1 pin
connecting part
for diagnosis plug

(26) 701906231
flat contact housing / 1 pin
connecting part
junction box

28 191972711
flat connector housing / 1 pin
connecting part
warning lamp

29 191972711
flat connector housing / 1 pin
connecting part
cruise control system

30 191972711
flat connector housing / 1 pin

31 191972712
flat connector housing / 2 pin
coupling piece
wiring harness for 4-speed automatic gearbox

(31) 191972714
flat connector housing / 4 pin
/ rhd

(31) 191972723
flat terminal pin housing / 6 pin / ACV
coupling piece
wiring harness
electronic control unit

(31) 191972724
flat contact housing / 8 pin / AAB,AES,ACU
coupling piece
wiring harness
electronic control unit

32 191972735
flat terminal pin housing / 10 pin
coupling piece
wiring harness for 4-speed automatic gearbox

(32) 191972734
flat contact housing / 8 pin / ACV
coupling piece
wiring harness
electronic control unit

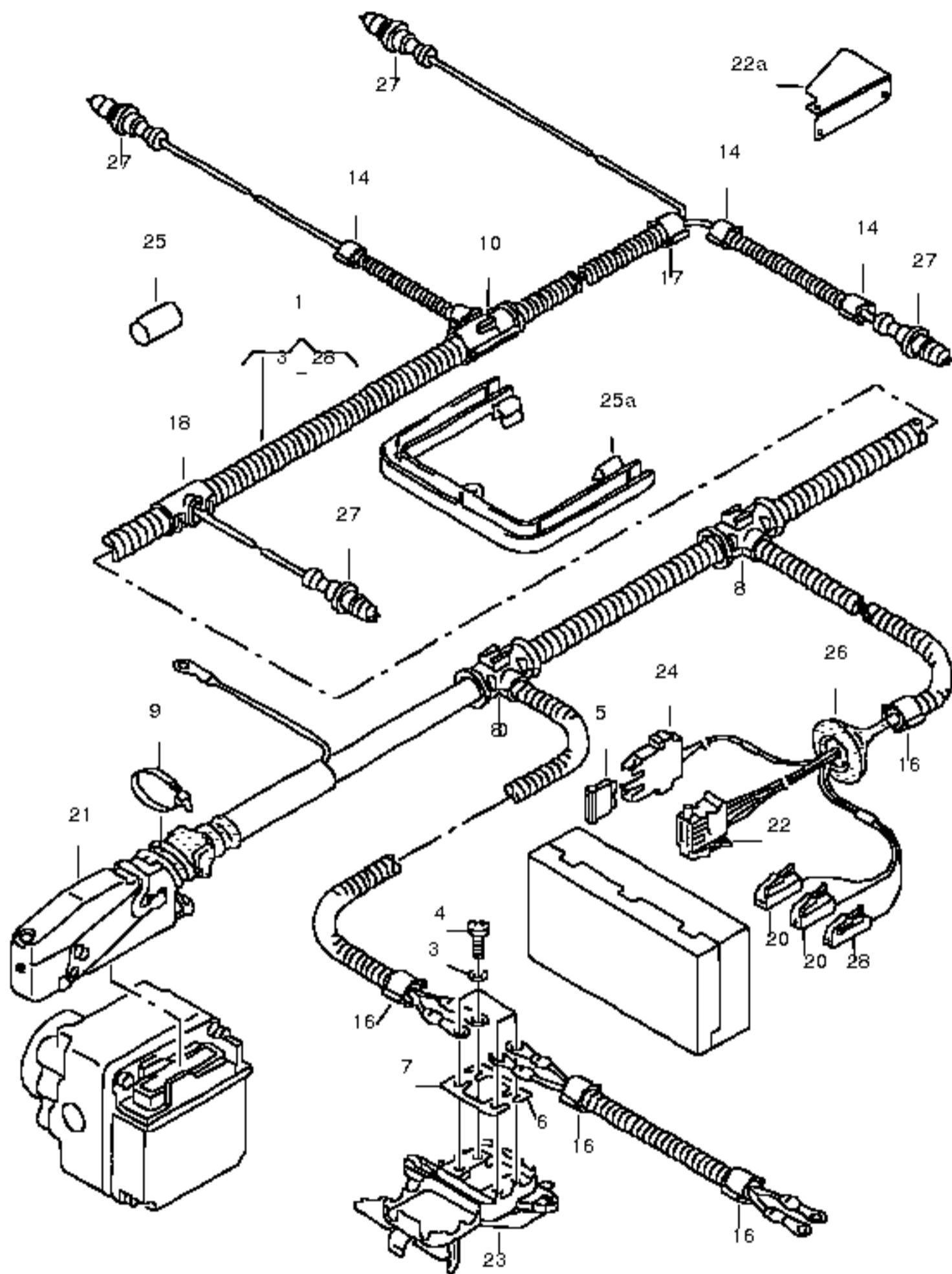
(32) 3A0972751H
flat contact housing / 1 pin
junction box

(33) 1J0972753
flat contact housing / 3 pin
coupling piece
wiring harness for 4-speed automatic gearbox

(34) 191972762
flat contact housing / 2 pin
coupling piece / lhd
wiring harness for engine

(34) 191972733
flat terminal pin housing / 6 pin
coupling piece / rhd
wiring harness for engine

(34) 1J0972782
flat contact housing / 4 pin
coupling piece / rhd
wiring harness for engine



wiring harness for anti-lock brakesystem -abs-

1 721971279D

wiring harness for anti-lock brakesystem -abs- / lhd

(1) 722971279F

wiring harness for anti-lock brakesystem -abs- / rhd

see list of locally- made looms / see no.:

/ 1-279

single parts

corrugated pipe

see catalogue: / 198 974-45

3 N 0122253

spring washer / B5X11X0,5

- N 10311304

insulating tape / 0,15X19X10000

4 N 01412811

fillister hd. bolt / M5X8

5 N 01713111

flat fuse 19/2x5 / 10-red

/ lhd

6 N 0171252

fuse / B30

7 N 0171251

fuse / B50

8 N 90669501

corrugated pipe t piece / 17-17-10

9 N 0209022

cable tie / 6X246

10 N 90680201

distributor / 17-13-7,5

14 N 90682001

corrugated pipe end piece / 7,5

16 N 90682101

corrugated pipe end piece / 10 / AES

17 N 90682201

corrugated pipe end piece / 13

18 N 90702101

connecting piece . / 17-17-8,5

20 701906231

flat contact housing / 1 pin

connecting part

junction box / lhd

21 7D0907495

flat contact housing / 40 pin

connecting part

electronic control unit for anti-locking brake system-abs-

22 357907968A

flat contact housing / 6 pin

connecting part

central electrics / lhd

23 281937505A

fuse box without fuses

24 701937530

fuse box for flat fuses / lhd

26 1H0971913C

grommet

27 331971414

wiring harness for speed sensor

28 1H0972701

flat contact housing / 1 pin

connecting part

diagnose connector strip / lhd

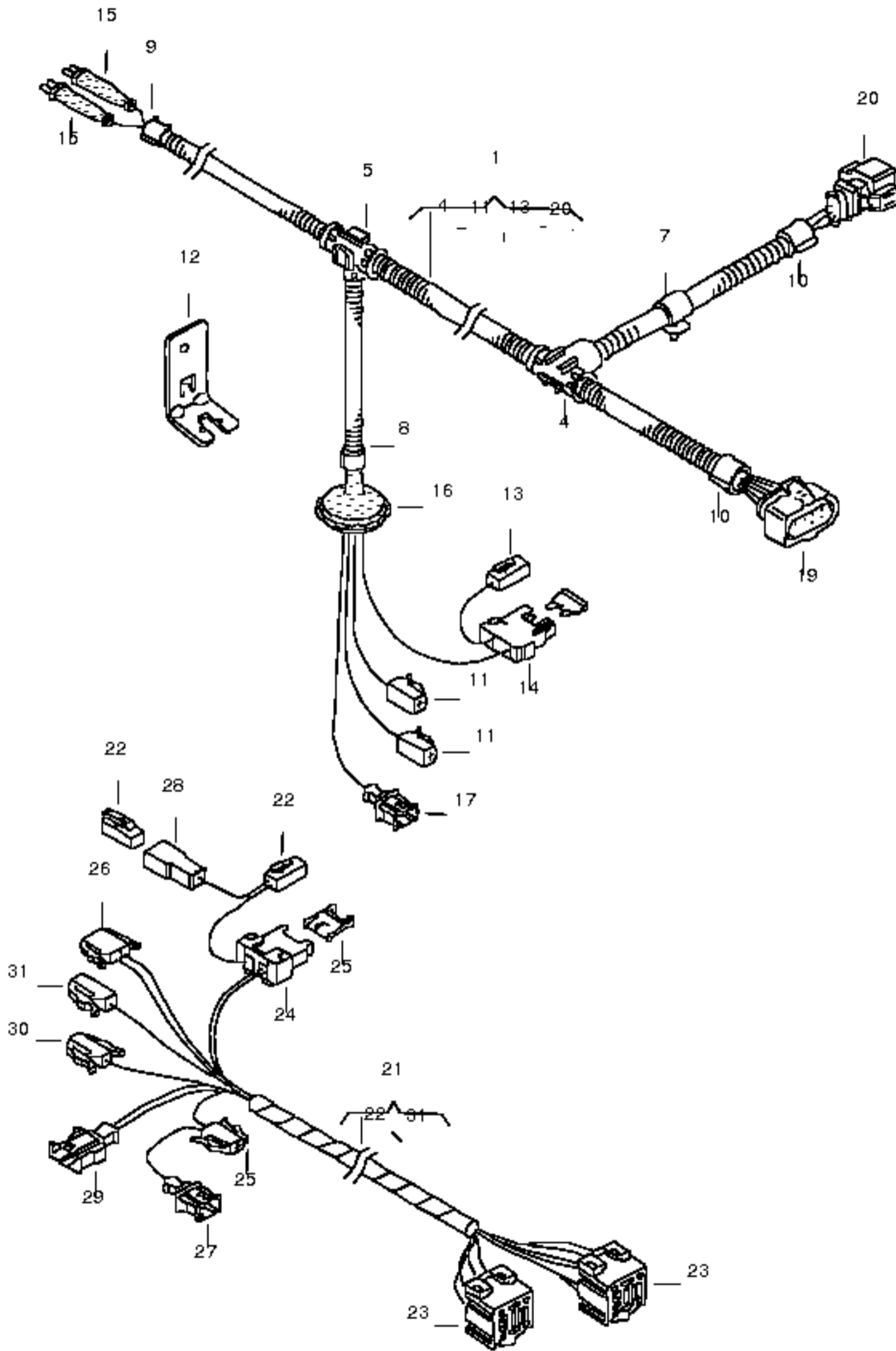
(28) 1J0972722

flat terminal pin housing / 4 pin

coupling piece

wiring harness adapter

ABS / rhd



wiring harness for additional heater / ACV
 wiring harness for 2nd heat exchanger
 wiring harness for additional heater / ACV

1 7D1971478C
 wiring harness for additional heater / lhd

(1) 7D2971478A
 wiring harness for additional heater / rhd

corrugated pipe
 see catalogue: / 198-974/45

single parts

- N 10311304
 insulating tape / 0,15X19X10000

4 N 90669201
 corrugated pipe t piece / 13-10-10

5 N 90669401
 corrugated pipe t piece / 13-13-7,5

7 N 90666101
 cable tie / 4,5X200

8 N 90682201
 corrugated pipe end piece / 13

9 N 90682001
 corrugated pipe end piece / 7,5

10 N 90682101
 corrugated pipe end piece / 10

11 701906231
 flat contact housing / 1 pin
 connecting part
 ground connector
 junction box

12 701906287G
 bracket for connector housing

13 357907971B
 flat terminal pin housing / 1 pin
 connecting part
 central electrics

14 701937530
 fuse box for flat fuses

15 443971867
 grommet / 8,5

16 1H0971913C
 grommet

17 191972711
 flat connector housing / 1 pin
 connecting part
 central electrics

19 3A0973734
 flat contact housing / 8 pin
 connecting part
 heater unit

20 3A0973813
 flat contact housing / 6 pin
 coupling piece
 wiring harness for ambient temperature switch

wiring harness for 2nd heat exchanger

21 7D1971456
 wiring harness for 2nd heat exchanger / ambulance

single parts

- N 01713114
 flat fuse 19/2x5 / 25-natural.col

22 357907971B
 flat terminal pin housing / 1 pin
 connecting part
 central electrics

23 161937501B
 relay plate / 9 pin

24 701937530
 fuse box for flat fuses

25 191972701
 flat terminal pin housing / 1 pin
 coupling piece
 relay

26 1J0972702
 flat contact housing / 2 pin
 coupling piece
 wiring harness for dash panel

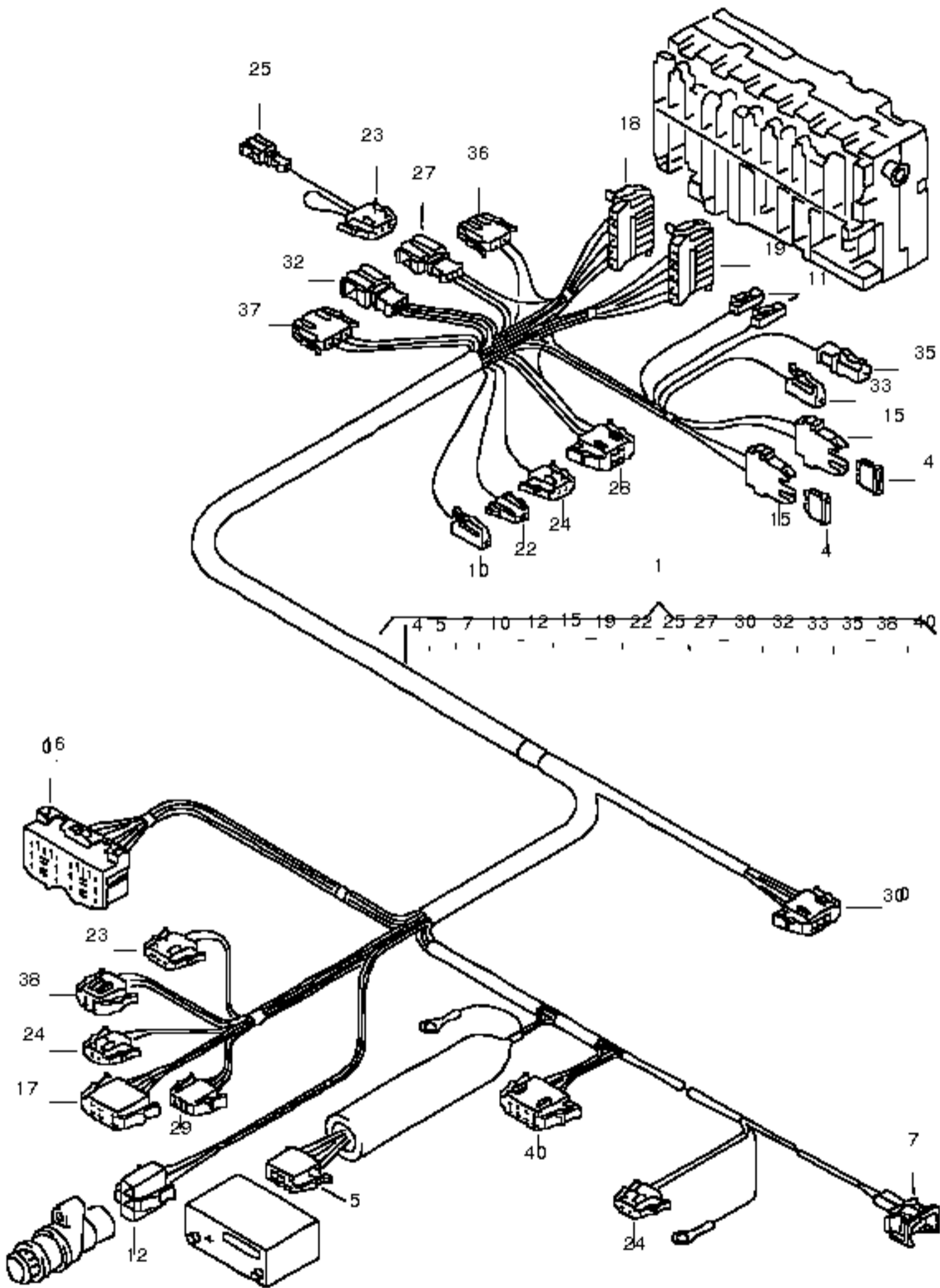
27 191972711
 flat connector housing / 1 pin
 coupling piece
 junction box

28 535972711H
 flat connector housing / 1 pin

29 191972712
 flat connector housing / 2 pin
 coupling piece
 wiring harness for dash panel

30 191972751
 flat contact housing / 1 pin
 coupling piece
 wiring harness for dash panel

- 3A0972751H
 flat contact housing / 1 pin
 connecting part
 ground connector



harness for air conditioner
 harness for air conditioner
 dashboard

see list of locally- made looms / see no.:
 / 1-495

1 701971565CH
 harness for air conditioner

single parts

4 N 01713115
 flat fuse 19/2x5 / 30-light green
 / AMP

5 357035447
 flat contact housing / 8 pin
 radio / black

7 037906240
 flat contact housing / 2 pin
 connecting part
 by-pass air cut-off valve

10 701906231
 flat contact housing / 1 pin
 connecting part
 junction box

11 357907971B
 flat terminal pin housing / 1 pin
 connector location: / U2,Y2

12 191919321
 flat contact housing / 3 pin
 cigarette lighter

15 701937530
 fuse box for flat fuses

16 357937501
 relay plate / 18 pin
 for vehicles with 2nd heat exchanger

17 357959545
 flat terminal pin housing / 6 pin

18 357959968
 flat contact housing with helper contact catch / 6 pin
 connector location: / Q

19 357959968B
 flat contact housing with helper contact catch / 6 pin
 connector location: / N

22 535972701
 flat contact housing / 1 pin

23 1J0972924
 flat contact housing / 3 pin

24 1J0972702
 flat contact housing / 2 pin
 connecting part
 wiring harness for electric fan

glove box light
 for selector lever lighting

25 191972711
 flat connector housing / 1 pin
 coupling piece
 wiring harness for engine

27 191972713
 flat connector housing / 3 pin

28 191972723
 flat terminal pin housing / 6 pin
 connecting part
 wiring harness for electric fan

29 535972723A
 flat contact housing / 6 pin
 connecting part
 switch for fresh or recirculated air selection

30 191972724
 flat contact housing / 8 pin
 connecting part
 emergency light switch

32 191972733
 flat terminal pin housing / 6 pin
 connecting part
 wiring harness for steering column combination switch

33 3A0972751H
 flat contact housing / 1 pin
 connecting part
 junction box

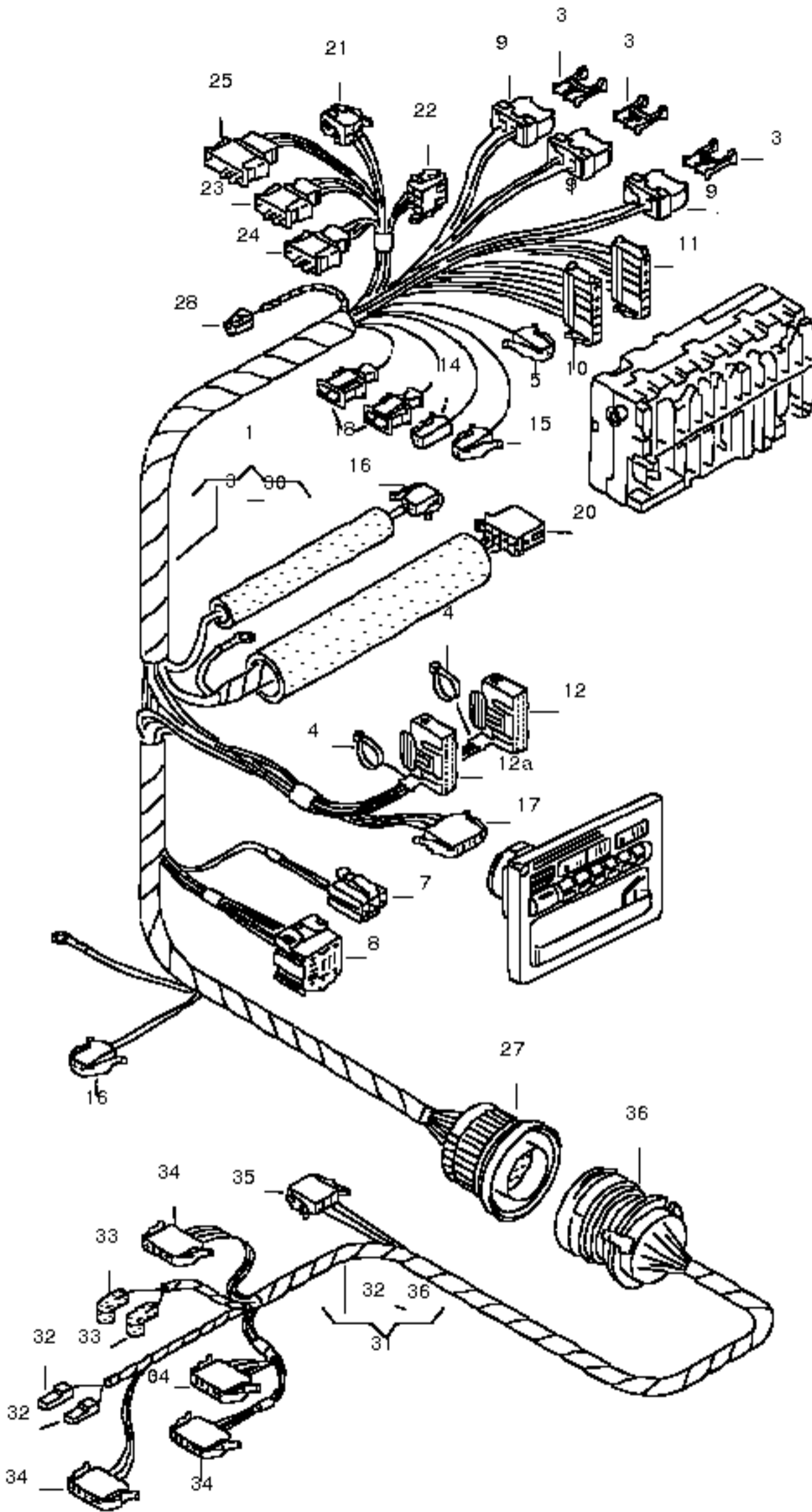
35 3A0972761H
 flat contact housing / 1 pin
 coupling piece
 wiring harness for automatic gearbox

36 1J0972752
 flat contact housing / 2 pin
 coupling piece
 for vehicles with passenger comp. ventilation

37 1J0972753
 flat contact housing / 3 pin
 connecting part
 wiring harness: rear
 for vehicles with 2nd heat exchanger

38 191972772
 flat contact housing / 4 pin
 connecting part
 switch
 for vehicles with 2nd heat exchanger

40 1J0972774
 flat contact housing / 8 pin
 coupling piece
 harness for air conditioner



wiring harness for air conditioner operation
wiring harness for blower
for vehicles with electronically regulated air condit.
dashboard

(1) 7D0971565

wiring harness for air conditioner operation

single parts
connecting part
radio

- N 10311304

insulating tape / 0,15X19X10000

3 N 01713115

flat fuse 19/2x5 / 30-light green

4 N 0209022

cable tie / 6X246

(5) 701906231

flat contact housing / 1 pin

connecting part

junction box

5 357907971B

flat terminal pin housing / 1 pin

connecting part

for fuse box/relay plate

7 191919321

flat contact housing / 3 pin

8 161937501B

relay plate / 9 pin

9 701937530

fuse box for flat fuses

10 357959968

flat contact housing with helper contact catch / 6 pin

connecting part

for fuse box/relay plate

11 357959968B

flat contact housing with helper contact catch / 6 pin

connecting part

for fuse box/relay plate

- 535972701

flat contact housing / 1 pin

12 1H0972529

flat terminal pin housing / 28 pin

connecting part

control unit for air condit.

12A 357972529

flat terminal pin housing / 28 pin

connecting part

control unit for air condit.

14 1H0972701

flat contact housing / 1 pin

connecting part

for diagnosis plug

15 191972701

flat terminal pin housing / 1 pin

coupling piece

wiring harness for engine

16 1J0972702

flat contact housing / 2 pin

coupling piece

wiring harness for dash panel

connecting part

cigarette lighter

17 191972705

flat terminal pin housing / 5 pin

connecting part

control unit for air condit.

18 191972711

flat connector housing / 1 pin

coupling piece

wiring harness for engine

(17) 191972713

flat connector housing / 3 pin

coupling piece

wiring harness for engine

(18) 535972711

flat contact housing / 1 pin

connecting part

for switching off air conditioner

21 1J0972722

flat terminal pin housing / 4 pin

coupling piece

harness for engine compartment

(22) 191972724

flat contact housing / 8 pin

connecting part

emergency light switch

22 191972723

flat terminal pin housing / 6 pin

coupling piece

wiring harness for electronically regulated air conditioner

/ rear

(22) 191972724

flat contact housing / 6 pin

coupling piece

wiring harness for electronically regulated air conditioner

/ rear

wiring harness for steering column combination switch

24 191972734

flat contact housing / 8 pin

coupling piece

harness for engine compartment

25 1J0972782

flat contact housing / 4 pin

coupling piece

harness for engine compartment

27 3A0973103

flat connector housing / 24 pin

coupling piece

wiring harness for blower

28 357973119

flat contact housing / 3 pin

connecting part

sun sensor

30 357035447

flat contact housing / 8 pin

connecting part

radio

wiring harness for blower

31 701972299A

wiring harness for blower / lhd

for vehicles with electronically regulated air condit.

single parts

32 111971921B

flat terminal pin housing / 1 pin

connecting part

thermostat

33 211971921

angled connector housing / 1 pin

connecting part

thermostat

34 191972705

flat terminal pin housing / 5 pin

connecting part

flap box for heating and ventilation, blower

35 1J0972753

flat contact housing / 3 pin

connecting part

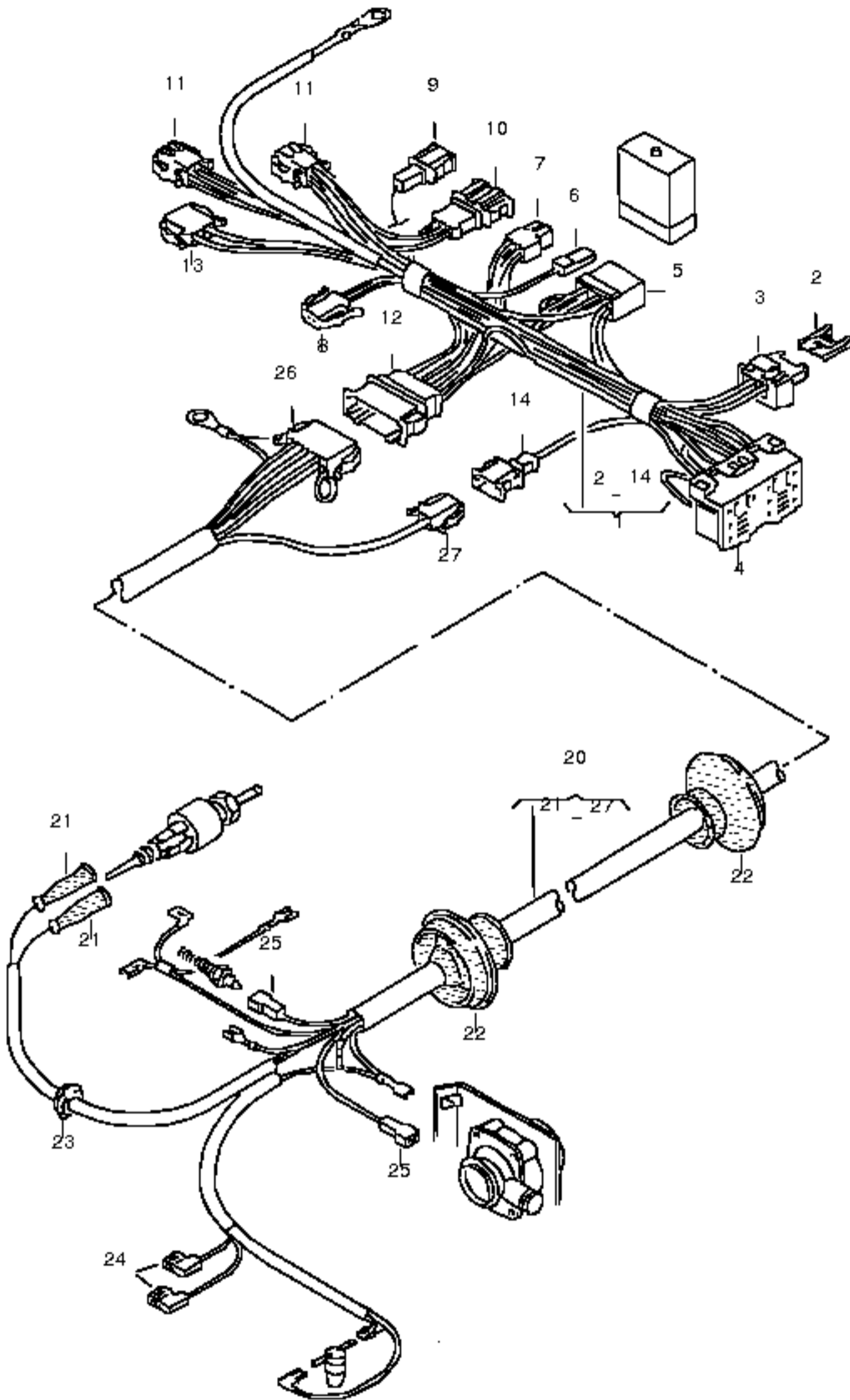
blower control

36 3A0973131

flat connector housing / 24 pin

coupling piece

harness for air conditioner



wiring harness for auxiliary heater / B2L/D2L
electronic control unit

see list of locally- made looms / see no.:
/ 1-478

1 701971478D
wiring harness for auxiliary heater / D2L

electronic control unit
also use:
for models without clock / 191 972 711
** see current flow diagram **

(1) 703971478
wiring harness for auxiliary heater / D2L / camp- mobile

electronic control unit

(1) 701971478G
wiring harness for auxiliary heater / B2L

electronic control unit

(1) 703971478B
wiring harness for auxiliary heater / B2L / camp- mobile

electronic control unit

2 N 01713113
flat fuse 19/2x5 / 20-yellow
/ AMP

3 1H0937530
fuse box for flat fuses / 2 pin

4 357937501
relay plate / 18 pin

5 803971831
flat terminal pin housing / 6 pin

6 111971921B
flat terminal pin housing / 1 pin

(7) 111971921B
flat terminal pin housing / 1 pin

8 1J0972702
flat contact housing / 2 pin

9 191972711
flat connector housing / 1 pin
for models without clock

10 191972713
flat connector housing / 3 pin
connecting part
wiring harness
for 2. battery

11 1J0972722
flat terminal pin housing / 4 pin

(12) 191972735
flat terminal pin housing / 10 pin
/ B2L

12 191972736
flat terminal pin housing / 12 pin
/ D2L

13 1J0972752
flat contact housing / 2 pin

14 191972761
flat contact housing / 1 pin

wiring harness for auxiliary heater

heater unit

(20) 701971478L
wiring harness for auxiliary heater / B2L

heater unit

20 701971478M
wiring harness for auxiliary heater / D2L

heater unit

21 443971867
grommet / 8,5

22 357971905E
grommet / 46/16

23 171971913
grommet / 12,5

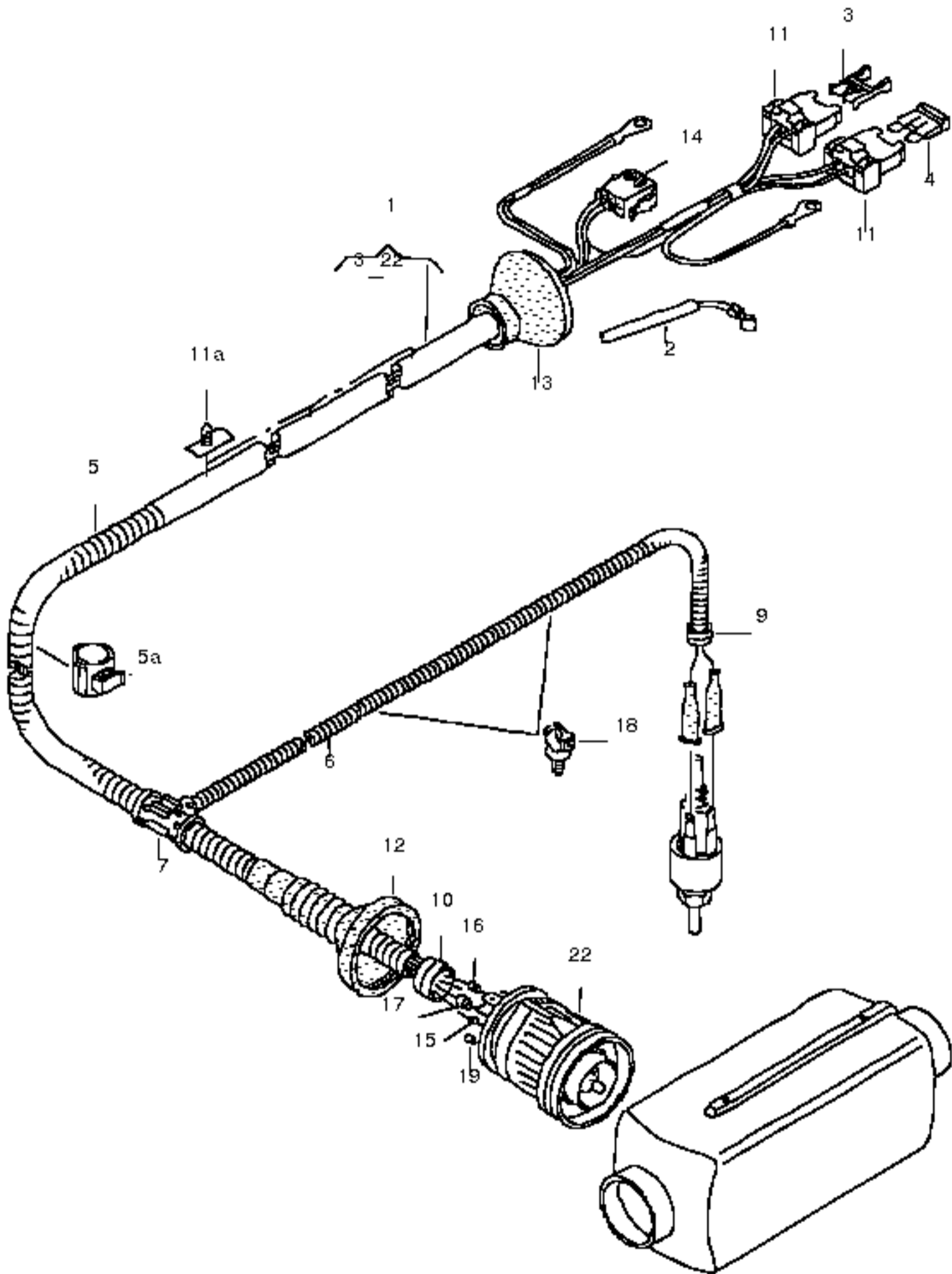
24 211971921
angled connector housing / 1 pin
thermal switch / D2L

(25) 111971921B
flat terminal pin housing / 1 pin

(26) 191972725
flat terminal pin housing / 10 pin
/ B2L

26 1J0972726
flat contact housing with helper contact catch / 12 pin
/ D2L

27 191972751
flat contact housing / 1 pin



wiring harness for auxiliary heater
 room temperature regulator
 heater unit

see list of locally- made looms / see no.:
 / 1-478

1 7D2971478C
 wiring harness for auxiliary heater

(1) 703971478F
 wiring harness for auxiliary heater / camp- mobile

- 7D0971543
 wiring harness for auxiliary heater

wiring harness adapter
 heater unit / inner

single parts

3 N 01713114
 flat fuse 19/2x5 / 25-natural.col

4 N 01713116
 flat fuse 19/2x5 / 5-light brown

5 N 90773601
 corrugated pipe in coils of 5m 'order unit 5' / 13

- N 10311304
 insulating tape / 0,15X19

6 N 90633222
 corrugated pipe in coils of 5m 'order unit 5' / 7,5

7 N 90669301
 corrugated pipe t piece / 13-7,5-13

9 N 90682001
 corrugated pipe end piece / 7,5

10 N 90682201
 corrugated pipe end piece / 13

11 1H0937530
 fuse box for flat fuses / 2 pin

11A 4B0971848
 cable holder / 6MM

12 1H0971840A
 grommet / 52,3/17

13 357971905E
 grommet / 46/16

14 191972723
 flat terminal pin housing / 6 pin
 coupling piece
 wiring harness
 for digital clock

15 357972740D
 single wiring seal / 3,9X7,8
 / grey
 for wire cross section: / 0,5-1,0

16 357972741B
 single wiring seal / 5,6X7,8
 / yellow orange
 for wire cross section: / 2,5

17 357972742B
 single wiring seal / 9,0X7,8
 / red
 for wire cross section: / 2,5

18 -----.
 discontinued / replacement: / N 907 726 01

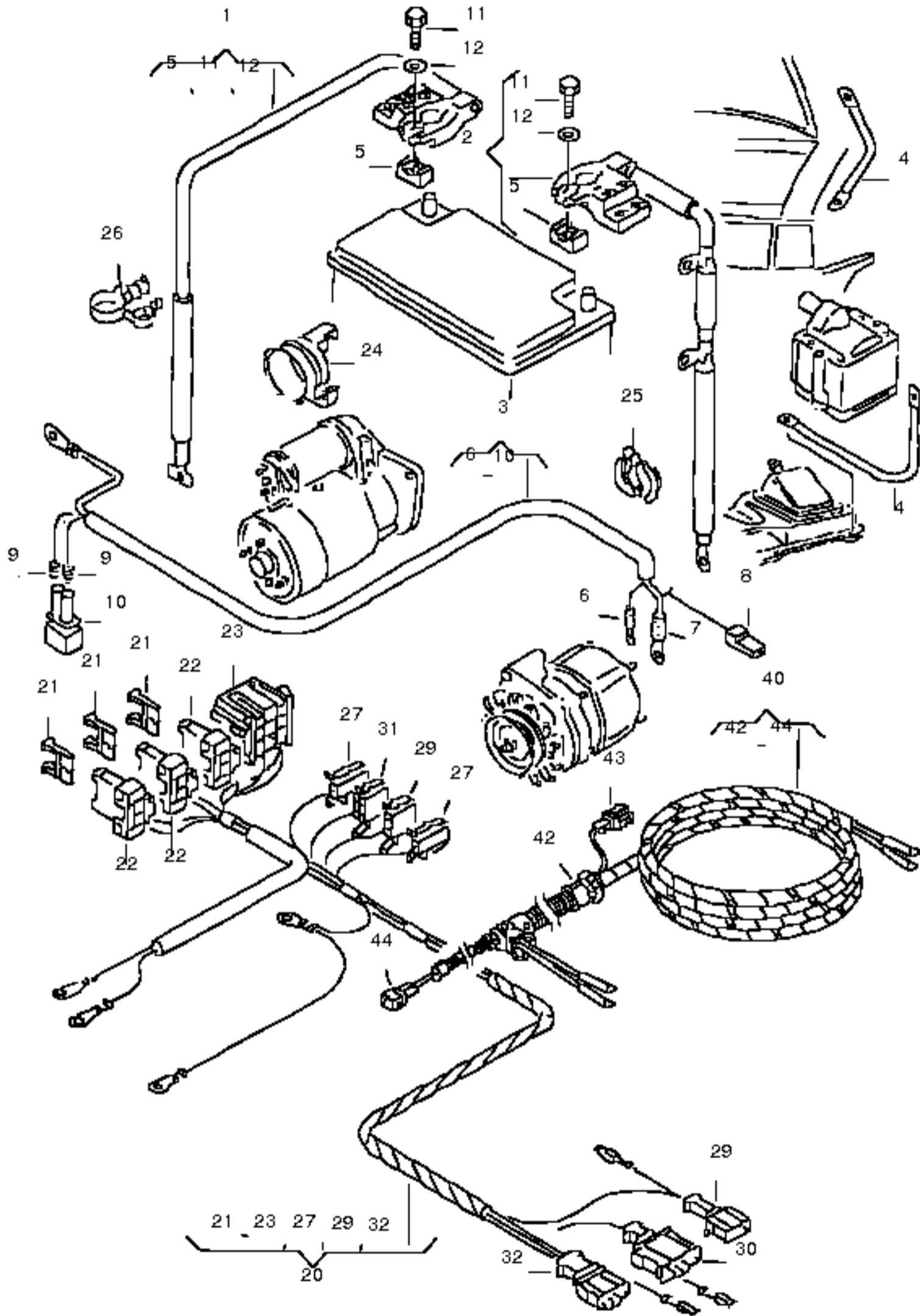
(18) N 90772601
 cable binder - corrugated pipe / 5X200
 hole/sheet metal thickness: / 6,5 / 0,6-2,0

19 357972840
 plug / 4,0X7,8
 / white

22 1H0973103C
 flat connector housing / 12 pin
 connecting part
 heater unit

(22) 1H0973131C
 flat connector housing / 12 pin
 coupling piece
 heater unit

- 1H0973132
 ring / 49,8X11,8



wiring harnesses for battery and alternator
ground strap

(1) 7D1971228A
wiring harness for battery + / 720MM

(2) 701971235D
wiring harness for battery - / 780MM

(3) 7D0971349E
wiring harness for alternator / 90A/120A

use if required: / 357 972 761

(3) 7D0971349L
wiring harness for alternator / 150A / AES

single parts

- N 90773601
corrugated pipe in coils of 5m 'order unit 5' / 13

- N 90682201
corrugated pipe end piece / 13

- N 90666101
cable tie / 4,5X200

- N 90682201
corrugated pipe end piece / 13

4 533971537
ground strap

5 701915138A
clamping piece

(5) 3A0915138
clamping piece / 19MM

6 803971892
grommet / 3X25

(7) 443955665
connecting hose / 4X30

(8) 037906240
flat contact housing / 2 pin
connecting part
alternator

9 357972741
single wiring seal / 5,6X7,8
/ blue
for wire cross section: / 1,0

(10) 357972761
flat contact housing / 1 pin / AAC,AFS,ACU

10 357972762
flat connector housing / 2 pin / AAB,ACV

- N 01021226
hexagonal head bolt / M6X12

11 N 01021527
hexagonal head bolt / M6X15

- N 01100627
hexagonal nut / M6

12 N 0115572
washer / 6,4X11X1,6

(20) 701971343H
wiring harness
for 2. battery

single parts

21 N 01713113
flat fuse 19/2x5 / 20-yellow

(27) 701906231
flat contact housing / 1 pin
connecting part
junction box

23 161937501B
relay plate / 9 pin

24 701971843A
cable holder
solenoid

25 701971848C
clip
wiring harness for alternator

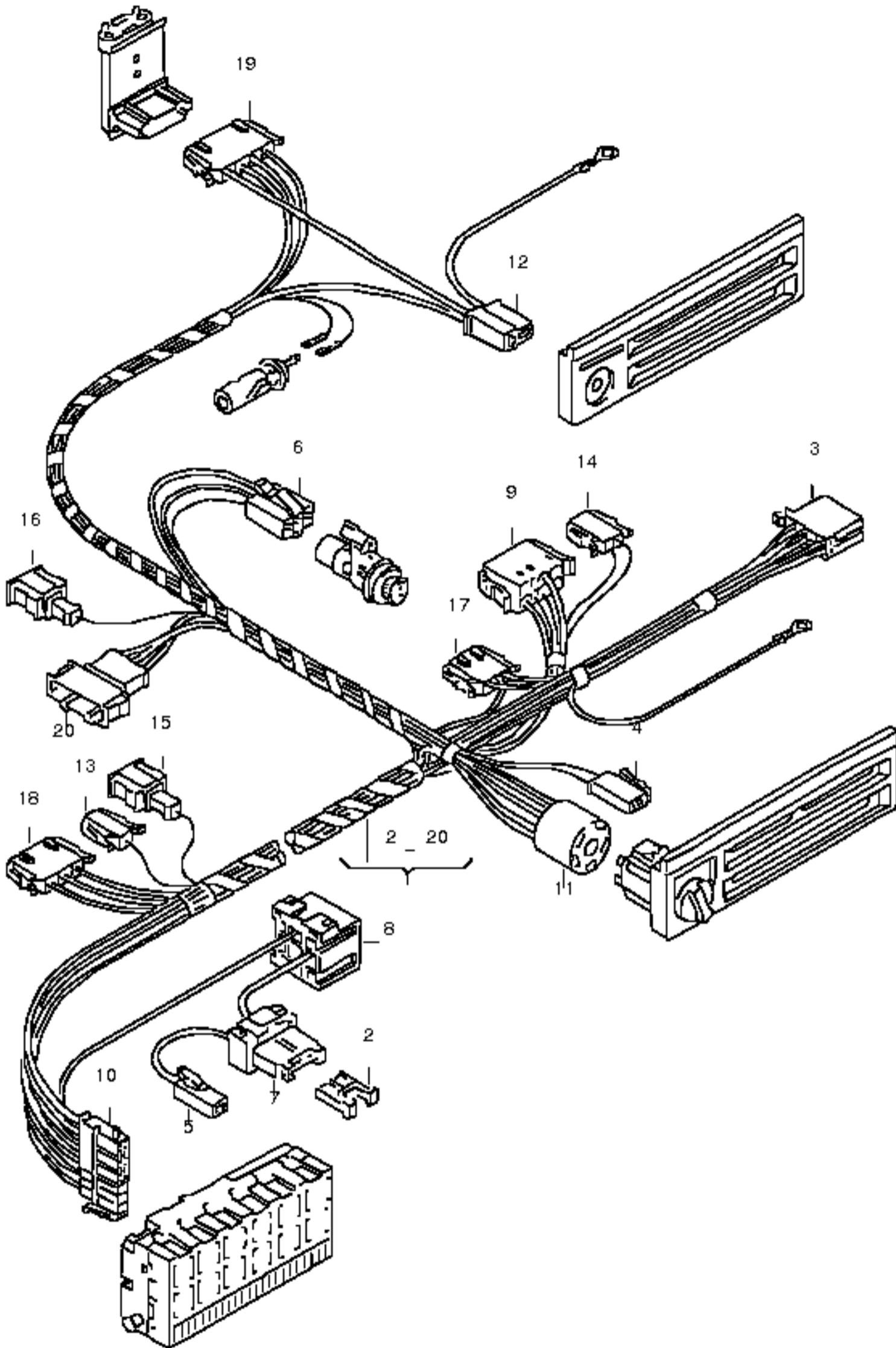
26 701971848D
retainer, swivelling / 14/25

40 7D1972233A
wiring harness
for 2. battery

single parts

43 191972712
flat connector housing / 2 pin
coupling piece
harness for interior light

44 357972762
flat connector housing / 2 pin
coupling piece
outer temperature sensor



wiring harness for blower

(1) 701971282AL

wiring harness for blower

* insulate unconnected * * cable ends *

see list of locally- made looms / see no.:

/ 1-282

single parts

2 N 01713113

flat fuse 19/2x5 / 20-yellow

/ AMP

3 357035447

flat contact housing / 8 pin

radio / black

- 037906240

flat contact housing / 2 pin

connecting part

glove box light

4 191906231A

flat contact housing / 2 pin

5 357907971B

flat terminal pin housing / 1 pin

connector location: / Y

6 191919321

flat contact housing / 3 pin

(7) 701937530

fuse box for flat fuses

for vehicles with 2nd heat exchanger

8 161937501B

relay plate / 9 pin

for vehicles with 2nd heat exchanger

(9) 191972772

flat contact housing / 4 pin

switch

for additional fan

for vehicles with 2nd heat exchanger

10 357959968

flat contact housing with helper contact catch / 6 pin

connector location: / Q

(10) 191972733

flat terminal pin housing / 6 pin

coupling piece

wiring harness for steering column combination switch

(11) 357959545

flat terminal pin housing / 6 pin

switch

blower

12 1J0972752

flat contact housing / 2 pin

connecting part

electric fan motor

13 191972701

flat terminal pin housing / 1 pin

connecting part

wiring harness

steering col. combi switch

14 1J0972702

flat contact housing / 2 pin

illumination for fresh air controls

for additional fan

- 1H0972702A

flat contact housing / 2 pin

coupling piece

wiring harness for dash panel

16 191972711

flat connector housing / 1 pin

connecting part

wiring harness for heater

- 535972723A

flat contact housing / 6 pin

connecting part

switch for fresh or recircula- ted air selection

- 191972724

flat contact housing / 8 pin

connecting part

emergency light switch

17 1J0972752

flat contact housing / 2 pin

18 1J0972753

flat contact housing / 3 pin

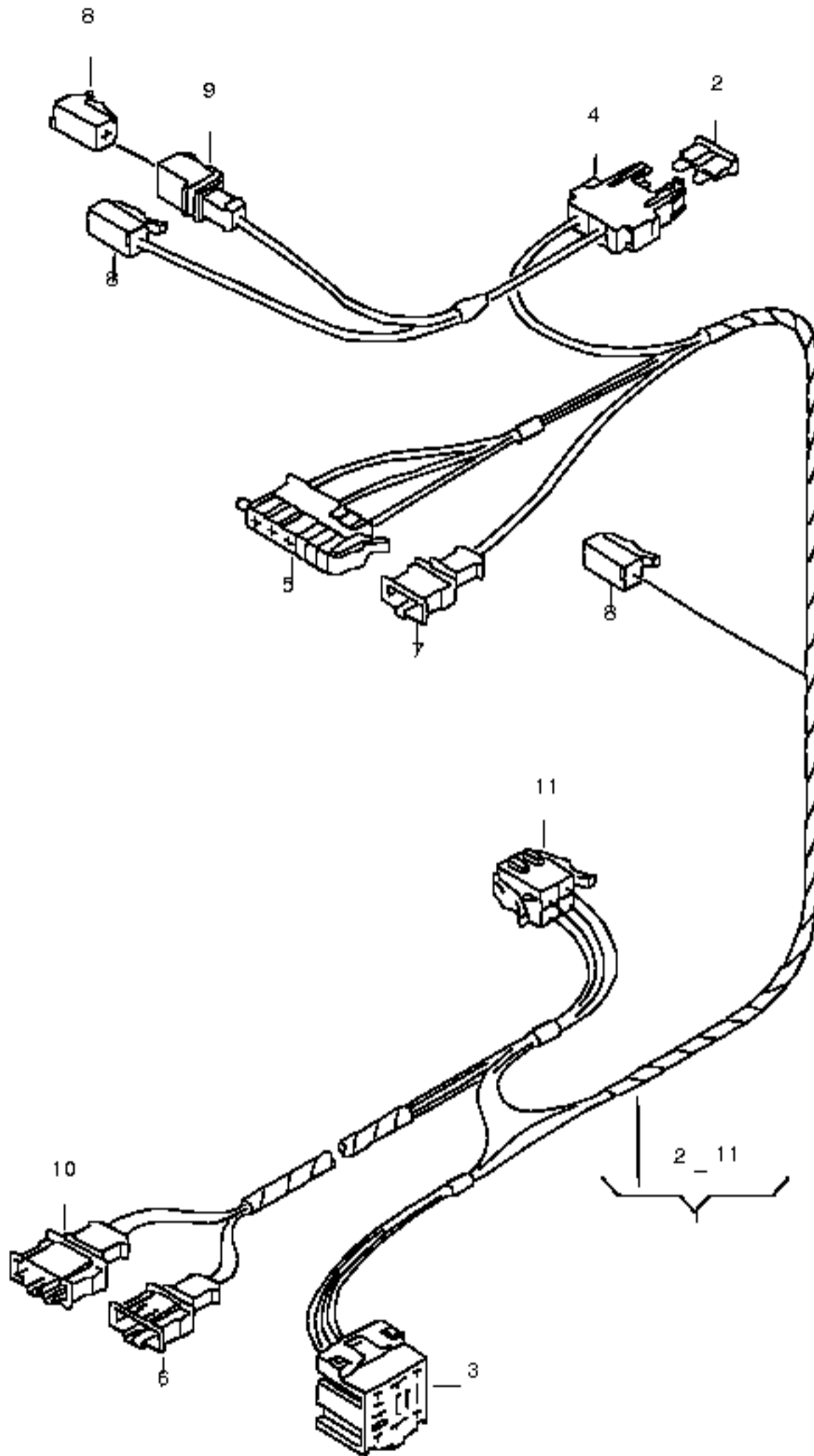
additional heat exchanger

19 1J0972754

flat contact housing / 4 pin

connecting part

resistor



wiring harness for blower
for fresh air duct to load and passenger compartment

1 7D1971282C
wiring harness for blower / lhd
for fresh air duct to load and passenger compartment

(1) 7D1971282D
wiring harness for blower / lhd
for fresh air duct to load and passenger compartment
for vehicles with air condit.

(1) 7D2971282
wiring harness for blower / rhd
for fresh air duct to load and passenger compartment

(1) 7D2971282A
wiring harness for blower / rhd
for fresh air duct to load and passenger compartment
for vehicles with air condit.

see list of locally- made looms / see no.: / 1-282

single parts

2 N 01713115
flat fuse 19/2x5 / 30-light green

3 161937501B
relay plate / 9 pin
connecting part
by-pass air cut-off valve

4 701937530
fuse box for flat fuses

5 357959968B
flat contact housing with helper contact catch / 6 pin

connector location: / N

6 191972712
flat connector housing / 2 pin
coupling piece
electric fan motor

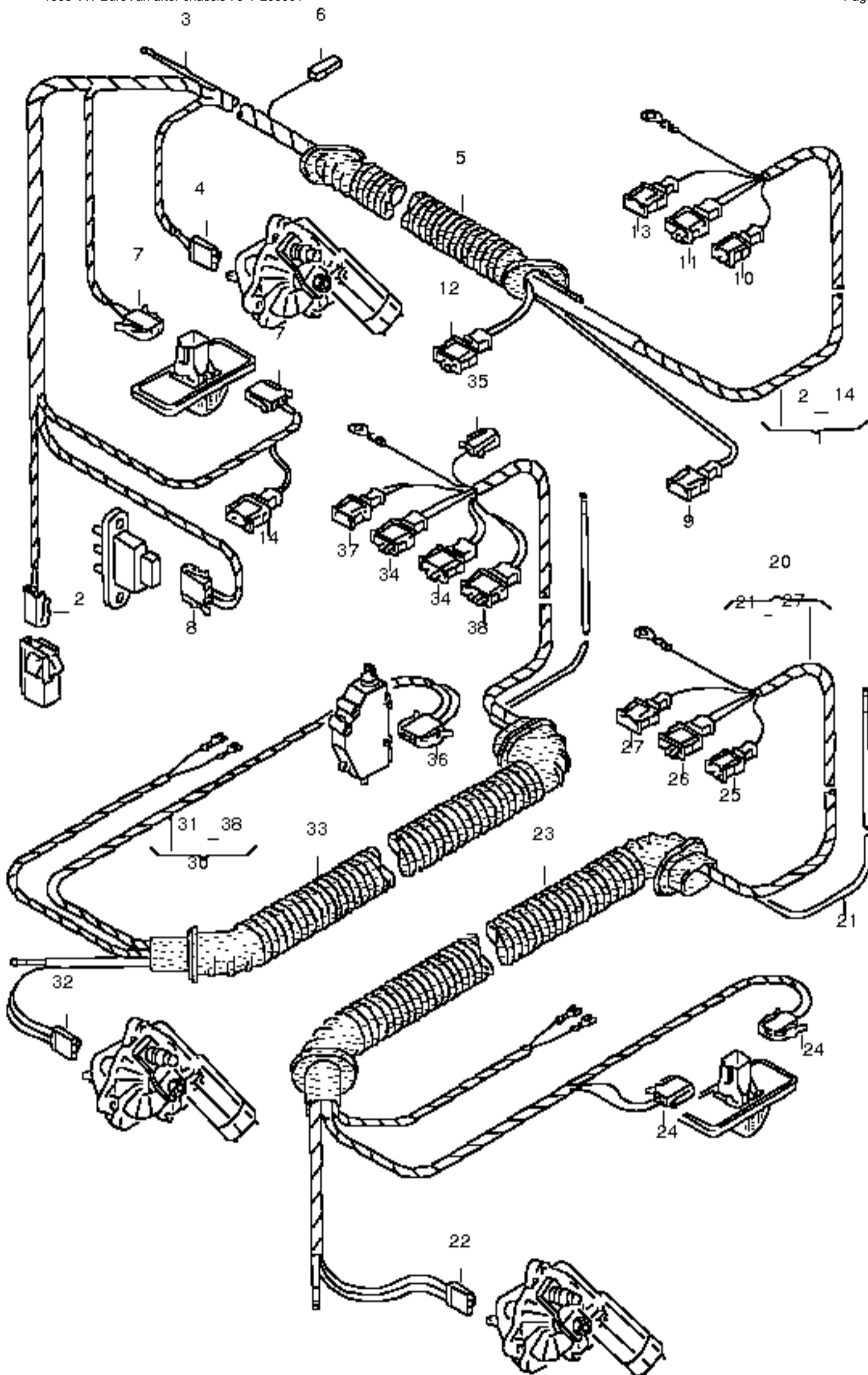
7 535972712
flat contact housing / 2 pin
coupling piece
wiring harness for blower

8 3A0972751H
flat contact housing / 1 pin
coupling piece
junction box
ground connector
wiring harness for automatic gearbox

9 3A0972761H
flat contact housing / 1 pin

10 191972762
flat contact housing / 2 pin
coupling piece
electric fan motor
for vehicles with air condit.

11 191972772
flat contact housing / 4 pin
connecting part
switch for blower motor



wiring harness for boot lid/ tailgate
and wing doors / rear

(1) 703971489S
wiring harness for boot lid/ tailgate

2 191906231A
flat contact housing / 2 pin

3 7M0955961B
tube / 5X1X6000MM
shorten to: / 1650MM

4 191971835
flat terminal pin housing / 3 pin

5 701971840D
bellows / 38X22,8/18/

6 1H0971921A
flat terminal pin housing / 1 pin
heated rear window
use if required: / 000 979 222

7 1J0972702
flat contact housing / 2 pin

8 1J0972924
flat contact housing / 3 pin

9 191972711
flat connector housing / 1 pin
connecting part
door contact switch

10 191972711
flat connector housing / 1 pin
connecting part
wiring harness: rear

11 191972712
flat connector housing / 2 pin
connecting part
wiring harness: rear

12 191972712
flat connector housing / 2 pin
connecting part
central locking system

13 191972761
flat contact housing / 1 pin
connecting part
wiring harness: rear

14 191972761
flat contact housing / 1 pin
wiring harness for door / left rear

20 7D0971489D
wiring harness for door / left rear

21 7M0955961B
tube / 5X1X6000MM
shorten to: / 2570MM

22 191971835
flat terminal pin housing / 3 pin

23 701971840B
bellows / 39,1X29/18/
/ 39,1X29

24 1J0972702
flat contact housing / 2 pin

25 191972711
flat connector housing / 1 pin
connecting part
wiring harness: rear

26 191972712
flat connector housing / 2 pin
connecting part
wiring harness: rear

27 191972761
flat contact housing / 1 pin
connecting part
wiring harness: rear

wiring harness for door / right rear

30 723971489C
wiring harness for door / right rear

31 7M0955961B
tube / 5X1X6000MM
shorten to: / 1510MM

32 191971835
flat terminal pin housing / 3 pin

33 701971840B
bellows / 39,1X29/18/
/ 39,1X29

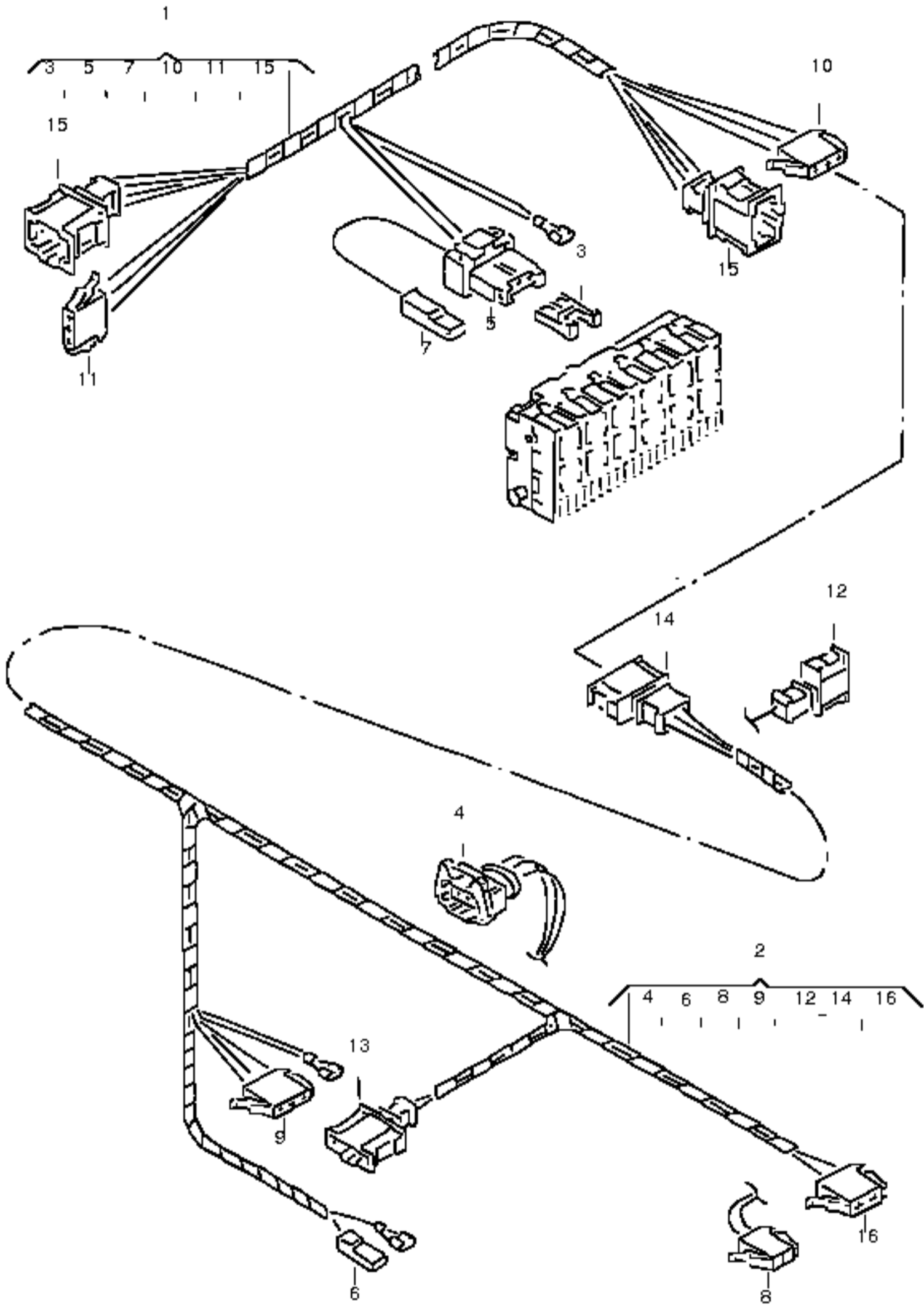
34 191972712
flat connector housing / 2 pin
connecting part
wiring harness: rear

35 191972751
flat contact housing / 1 pin
connecting part
wiring harness: rear

36 357972754H
flat contact housing / 3 pin

37 191972761
flat contact housing / 1 pin
connecting part
wiring harness: rear

38 191972762
flat contact housing / 2 pin
connecting part
wiring harness: rear



wiring harness for central locking

use if required: / 111 971 921 B

(1) 7D0971122A
wiring harness for central locking

(2) 705971122M
wiring harness for central locking

(2) 705971122N
wiring harness for central locking

for vehicles with sliding roof
(2) 703971122C
wiring harness for central locking / camp- mobile

see list of locally- made looms / see no.:
/ 1-122

single parts

3 N 01713112
flat fuse 19/2x5 / 15-light blue
/ AMP

4 191906231B
flat contact housing / 3 pin
interior light
for vehicles with sliding roof

5 1H0937530
fuse box for flat fuses / 2 pin

6 111971921B
flat terminal pin housing / 1 pin
step light

(6) 1J0972702
flat contact housing / 2 pin
connecting part
step light

(7) 3A0972751H
flat contact housing / 1 pin
connecting part
central electrics

8 1J0972702
flat contact housing / 2 pin
connecting part
tailgate / boot lid

9 1J0972924
flat contact housing / 3 pin
connecting part
sliding door / right
or
crew cab door / right

10 1J0972924
flat contact housing / 3 pin

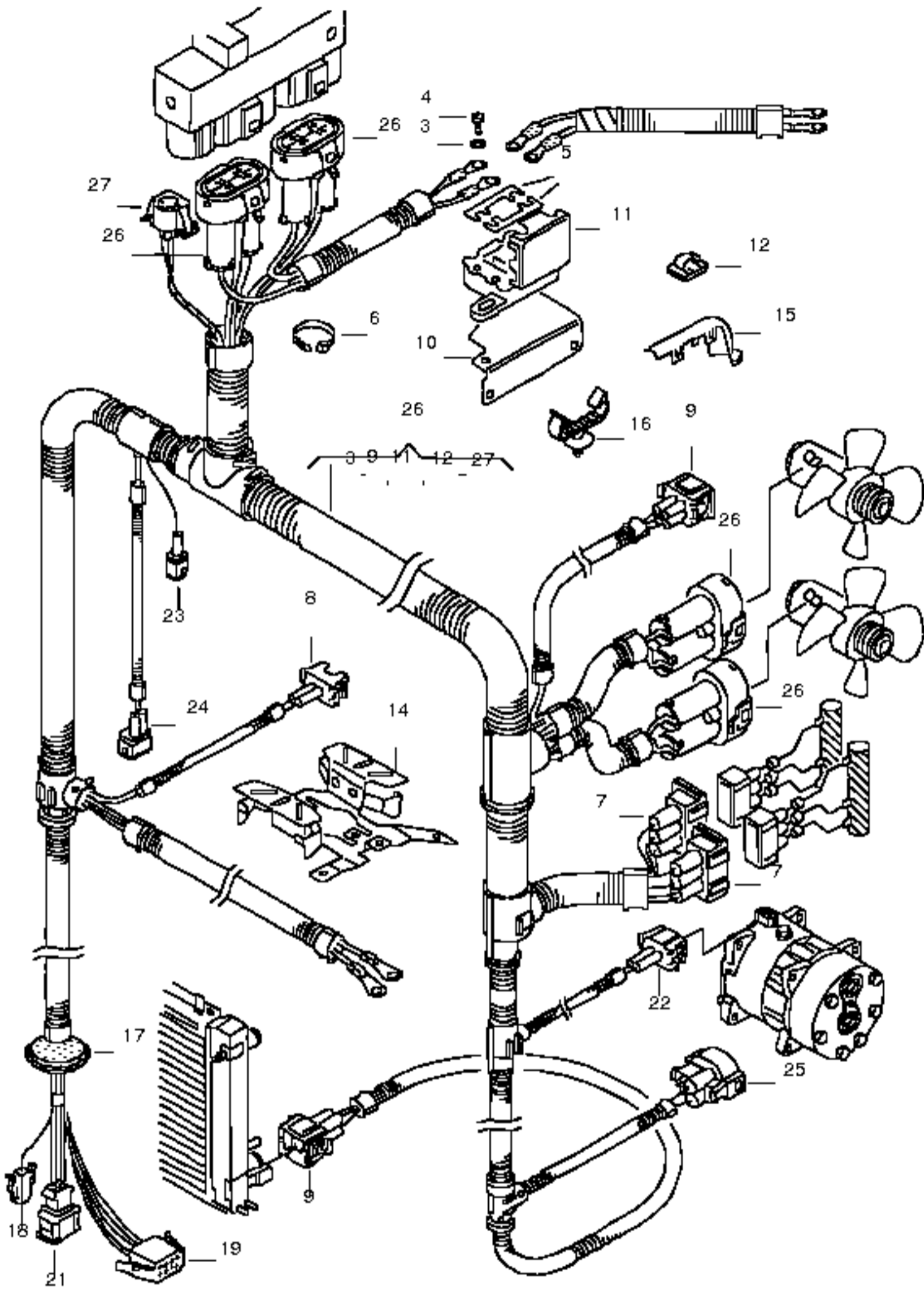
11 1J0972924
flat contact housing / 3 pin
connecting part
harness for interior light

12 191972711
flat connector housing / 1 pin / camp- mobile

13 191972712
flat connector housing / 2 pin
interior light
for vehicles with
step light

14 191972713
flat connector housing / 3 pin

15 1J0972732
flat terminal pin housing / 4 pin
connecting part
wiring harness for door



wiring harness for compressor and electric fan
for vehicles with electronically regulated air condit.

(1) 7D1971566F
wiring harness for compressor and electric fan / lhd / 2X450W
/ automatic
/ AAB

(1) 7D1971566G
wiring harness for compressor and electric fan / lhd / 2X350W

(1) 7D2971566F
wiring harness for compressor and electric fan / rhd / 2X450W

(1) 7D2971566G
wiring harness for compressor and electric fan / rhd / 2X350W

single parts

- N 90773601
corrugated pipe in coils of 5m 'order unit 5' / 13

- N 90773801
corrugated pipe in coils of 5m 'order unit 5' / 22

- N 0171251
fuse / B50

7 1H0906233
flat contact housing / 3 pin
connecting part
resistor

8 037906240
flat contact housing / 2 pin / AAB
connecting part
valve

9 357919754
flat contact housing / 4 pin
connecting part
pressure switch
temperature sensor

11 281937505A
fuse box without fuses

17 171971905C
grommet / 33,5/11

18 191972701
flat terminal pin housing / 1 pin

19 191972724
flat contact housing / 8 pin
coupling piece
wiring harness for air conditioner operation

21 1J0972732
flat terminal pin housing / 4 pin
coupling piece
wiring harness for air conditioner operation

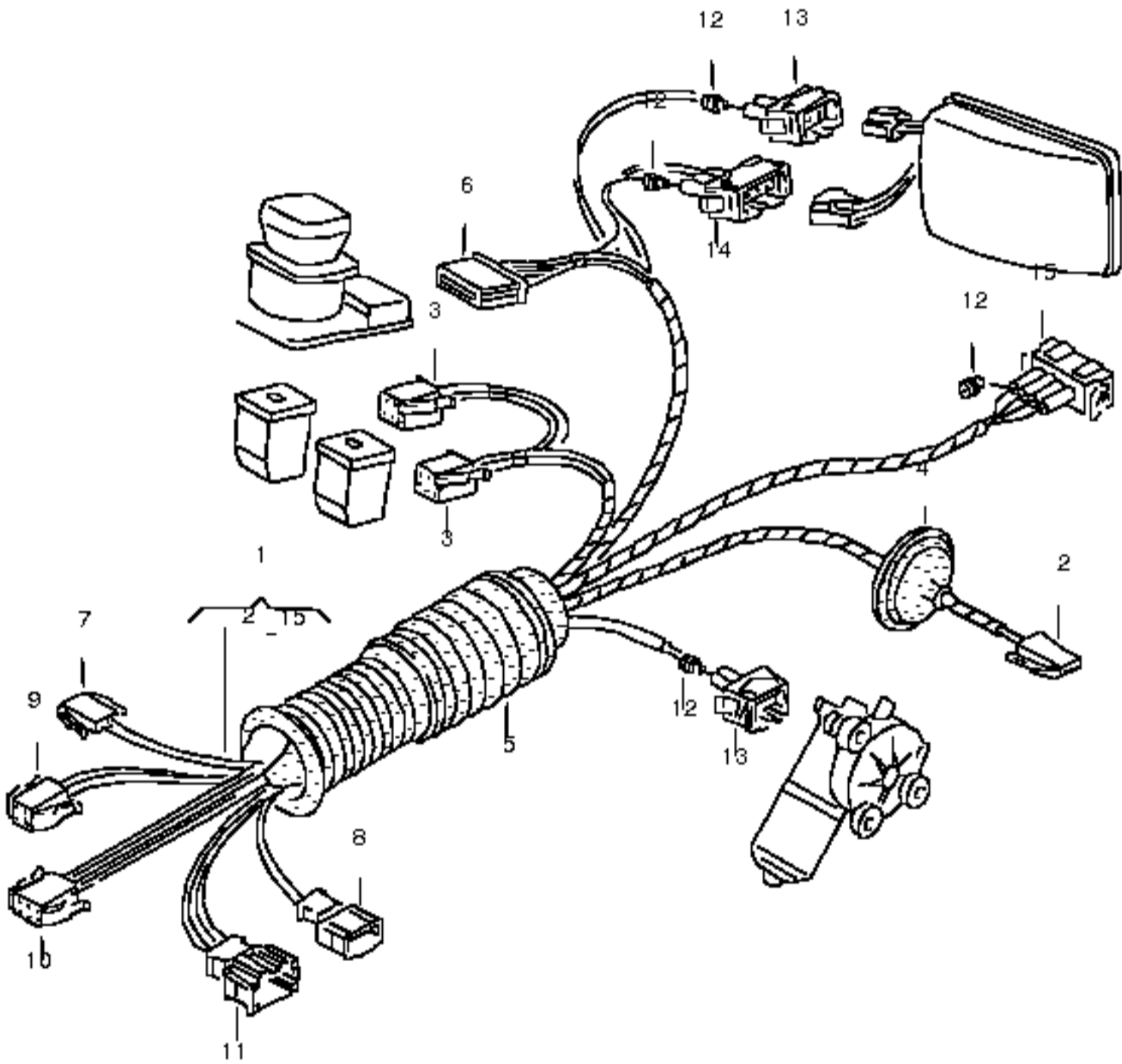
22 357972752
flat contact housing / 2 pin
connecting part
for compressor
outer temperature sensor

- 357972842
plug / 9,0
/ black

25 1H0973203
flat contact housing / 3 pin
connecting part
temperature switch

26 1H0973204
flat contact housing / 4 pin
connecting part
electric fan control unit

27 3A0973712
flat contact housing / 4 pin
connecting part
electric fan control unit



wiring harness for door

(1) 7D0971120AG
wiring harness for door
(drivers side)

(1) 7D0971120AP
wiring harness for door
(passenger side)

see list of locally- made looms / see no.:
/ 2-235

2 191906231A
flat contact housing / 2 pin
loudspeaker

(3) 8N0971636
flat contact housing / 6 pin

(4) 171611751
grommet / 15/4

5 701971916
bellows / 45,5/51,5/

(5) 357971908A
plug / 49,5

(6) 191972724
flat contact housing / 8 pin
connecting part
switch
rear view mirror, electrically operated and heated

8 191972712
flat connector housing / 2 pin
for vehicles with 6 loudspeakers

9 1J0972722
flat terminal pin housing / 4 pin
for vehicles with central locking system

10 191972723
flat terminal pin housing / 6 pin
for vehicles with rear view mirror electrically operated and heated

(11) 1J0972732
flat terminal pin housing / 4 pin
coupling piece
window regulator motor

(12) 357972740D
single wiring seal / 3,9X7,8
/ grey
for wire cross section: / 0,5-1,0

(12) 357972741B
single wiring seal / 5,6X7,8
/ yellow orange
for wire cross section: / 2,5

(12) 357972741
single wiring seal / 5,6X7,8
/ blue
for wire cross section: / 1,0

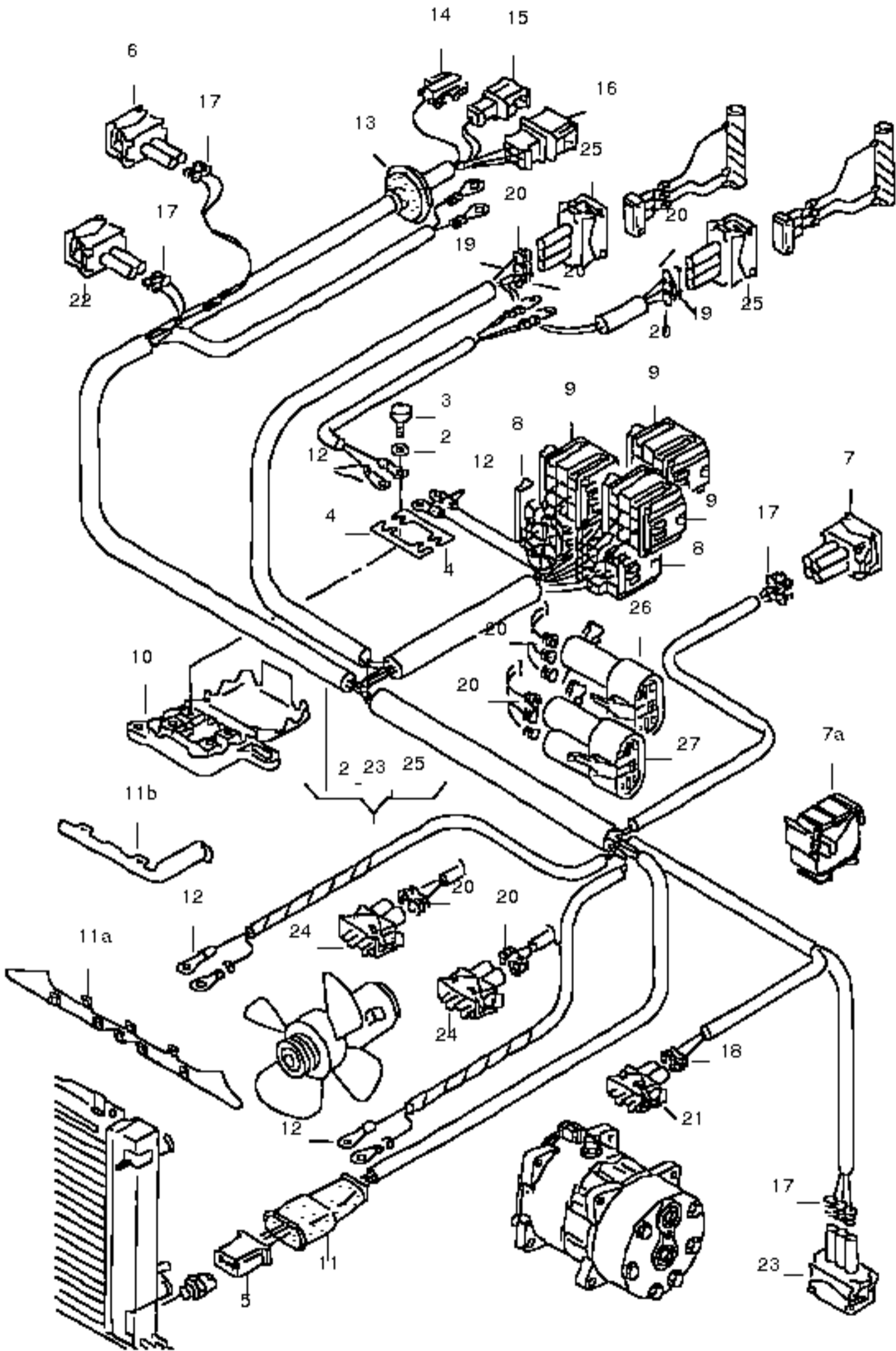
13 357972752
flat contact housing / 2 pin
connecting part
for rear view mirror, electrically operated and heated

(13) 357973215
flat contact housing / 15 pin

- 357972840
plug / 4,0X7,8
/ white

14 357972753
flat contact housing / 3 pin
rear view mirror

15 357972754
flat contact housing / 4 pin
central locking system



wiring harness for electric fan

(1) 7D0971284B
wiring harness for electric fan / 2X200W/350W / PR-AC1

(1) 7D0971284C
wiring harness for electric fan / 2X450W / PR-AC1

(1) 7D1971284BK
wiring harness for electric fan / 2X200W/350W / AAB
/ PR-AC0

(1) 7D1971284BM
wiring harness for electric fan / 2X450W / PR-AC0

(1) 7D1971284BC
wiring harness for electric fan / lhd / air condit.:
/ 2X350W / AAC
/ PR-AC1

(1) 7D1971284BC
wiring harness for electric fan / lhd / air condit.:
/ 2X350W / manual- gearbox: / AES,ACV,ACU
/ PR-AC1

(1) 7D1971284BA
wiring harness for electric fan / lhd / air condit.
/ 2X450W / PR-AC1

(1) 7D1971284BE
wiring harness for electric fan / lhd / air condit.:
/ 2X350W / AAC,ACV
/ PR-AC0

(1) 7D1971284BJ
wiring harness for electric fan / lhd / air condit.:
/ 2X450W / AAB,ACU
/ PR-AC0

(1) 7D2971284BB
wiring harness for electric fan / rhd / air condit.:
/ 2X350W / AAC
/ PR-AC1

(1) 7D2971284AT
wiring harness for electric fan / rhd / air condit.:
/ 2X450W / PR-AC1

(1) 7D2971284BD
wiring harness for electric fan / rhd / air condit.:
/ 2X350W / AAC,ACV
/ PR-AC0

(1) 7D2971284BH
wiring harness for electric fan / rhd / air condit.:
/ 2X450W / AAB,ACU
/ PR-AC0

(1) 7D2971284N
wiring harness for electric fan / rhd / air condit.:
/ 2X350W / PR-AC1

see list of locally- made looms / see no.:

/ 1-284

single parts

- N 10311304
insulating tape / 0,15X19X10000

- N 90635517
corrugated pipe in coils of 5m 'order unit 5' / 4,5

- N 90773501
corrugated pipe in coils of 5m 'order unit 5' / 10

- N 90773601
corrugated pipe in coils of 5m 'order unit 5' / 13

- N 90773701
corrugated pipe in coils of 5m 'order unit 5' / 17

- N 90773801
corrugated pipe in coils of 5m 'order unit 5' / 22

- 443955665
connecting hose / 4X30

2 N 0122253
spring washer / B5X11X0,5

3 N 01412811
fillister hd. bolt / M5X8

4 N 0171251
fuse / B50

- N 90666101
cable tie / 4,5X200

- N 90682101
corrugated pipe end piece / 10 / AES

(5) 1H0973203
flat contact housing / 3 pin

6 037906240
flat contact housing / 2 pin / air condit.:
valve

7 357919754
flat contact housing / 4 pin
thermal switch

7A 7D0971849
cable holder
connecting part
cross member / front

(8) 3A0973712
flat contact housing / 4 pin / air condit.
connecting part
electric fan control unit

(9) 1H0973204
flat contact housing / 4 pin / air condit.
connecting part
electric fan control unit

10 281937505A
fuse box without fuses

(11) 357972741
single wiring seal / 5,6X7,8
/ blue
for wire cross section: / 1,0

(11) 357972742
single wiring seal / 9,0X7,8
/ yellow
for wire cross section: / 1,0

12 443955665
connecting hose / 4X30

(12) N 90450201
protective cap / A10X12
covering
nut / M6

13 021971907A
grommet / 33/9 / air condit.

14 191972701
flat terminal pin housing / 1 pin / air condit.:

15 191972712
flat connector housing / 2 pin / air condit.
for vehicles with 2nd heat exchanger

16 191972733
flat terminal pin housing / 6 pin / air condit.
connecting part
wiring harness for dash panel

- 357972740D
single wiring seal / 3,9X7,8
/ grey
for wire cross section: / 0,5-1,0

(17) 357972741
single wiring seal / 5,6X7,8
/ blue
for wire cross section: / 1,0

17 357972741A
single wiring seal / 5,6X7,8
/ red
for wire cross section: / 1,5

18 357972741B
single wiring seal / 5,6X7,8
/ yellow orange
for wire cross section: / 2,5

- 357972742
single wiring seal / 9,0X7,8
/ yellow
for wire cross section: / 1,0

19 357972742B
single wiring seal / 9,0X7,8
/ red
for wire cross section: / 2,5

20 357972742C
single wiring seal / 9,0X7,8
/ green
for wire cross section: / 4,0

(20) 357972744
single wiring seal / 16,2X15,0
/ orange
for wire cross section: / 4,0
for vehicles with no air conditioning system

(20) 357972744A
single wiring seal / 16,2X15,0
/ light blue
for wire cross section: / 6,0

- 357972751
flat contact housing / 1 pin
coupling piece
wiring harness for engine compartment and lighting

21 357972752
flat contact housing / 2 pin / air condit.

22 357972752
flat contact housing / 2 pin / air condit.
for vehicles with 2nd heat exchanger

23 357972754
flat contact housing / 4 pin / air condit.
pressure switch

(23) 357919754
flat contact housing / 4 pin / air condit.
/ rhd

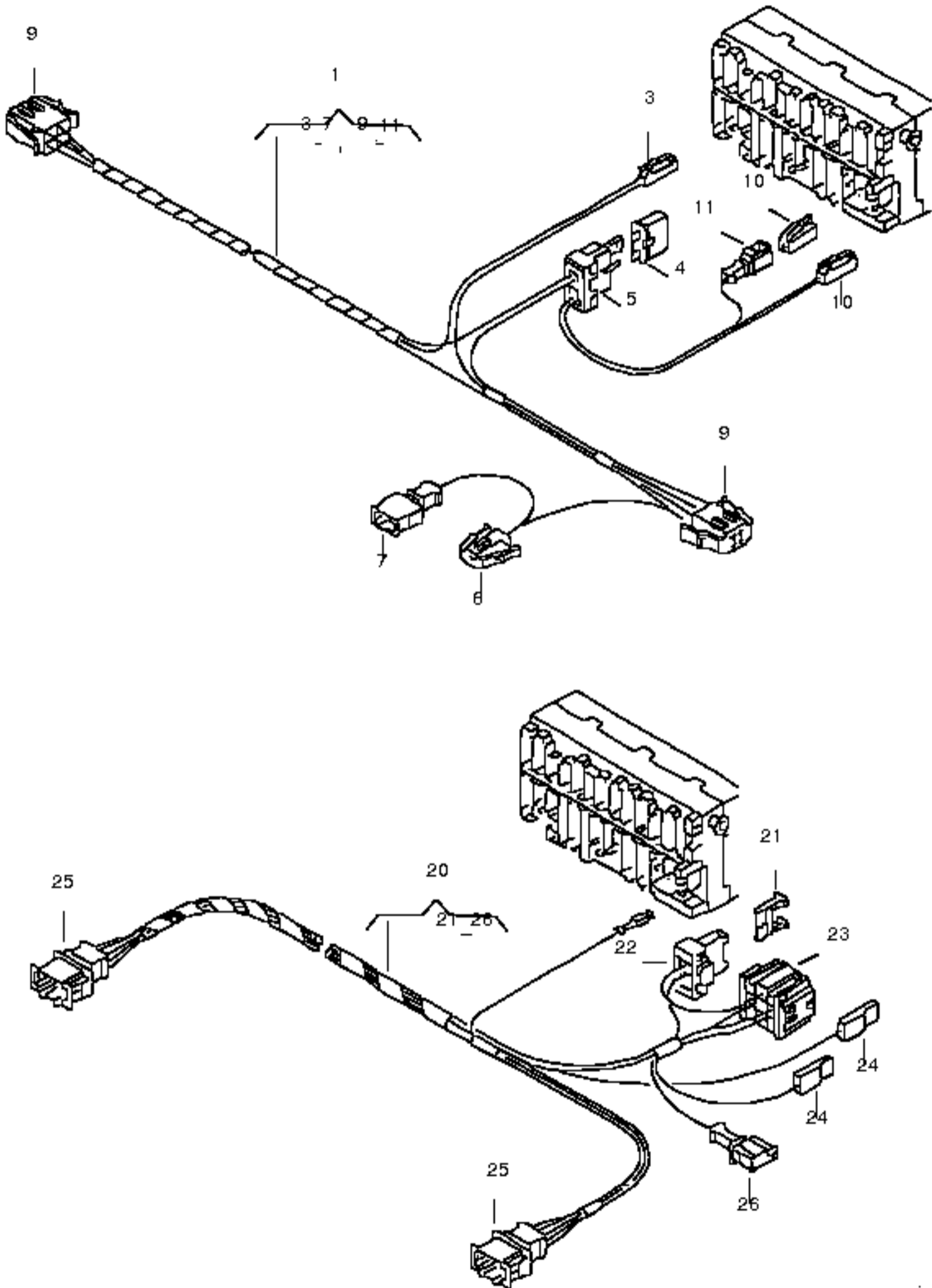
24 357972772
flat contact housing / 2 pin
/ 2X200W/2X350W

(24) 1H0973204
flat contact housing / 4 pin
/ 2X450W

(25) 1H0906233
flat contact housing / 3 pin / air condit.

26 701973203
flat contact housing / 3 pin
relay
for vehicles with no air conditioning system

27 701973203A
flat contact housing / 3 pin
relay
for vehicles with no air conditioning system



harness for electric window
wiring harness for rear view mirror

1 7D0971160
harness for electric window

single parts

3 701906231
flat contact housing / 1 pin
connecting part
junction box

4 443937105A
thermal fuse / 30A

5 191937501
bracket for thermo switch

6 191972701
flat terminal pin housing / 1 pin
coupling piece
harness for interior light

7 191972711
flat connector housing / 1 pin
coupling piece
harness for interior light

9 1J0972722
flat terminal pin housing / 4 pin
coupling piece
wiring harness for door

10 3A0972751H
flat contact housing / 1 pin
connecting part
junction box

11 3A0972761H
flat contact housing / 1 pin

wiring harness for rear view mirror

(20) 7D1972235
wiring harness adapter
for rear view mirror, electrically operated and heated

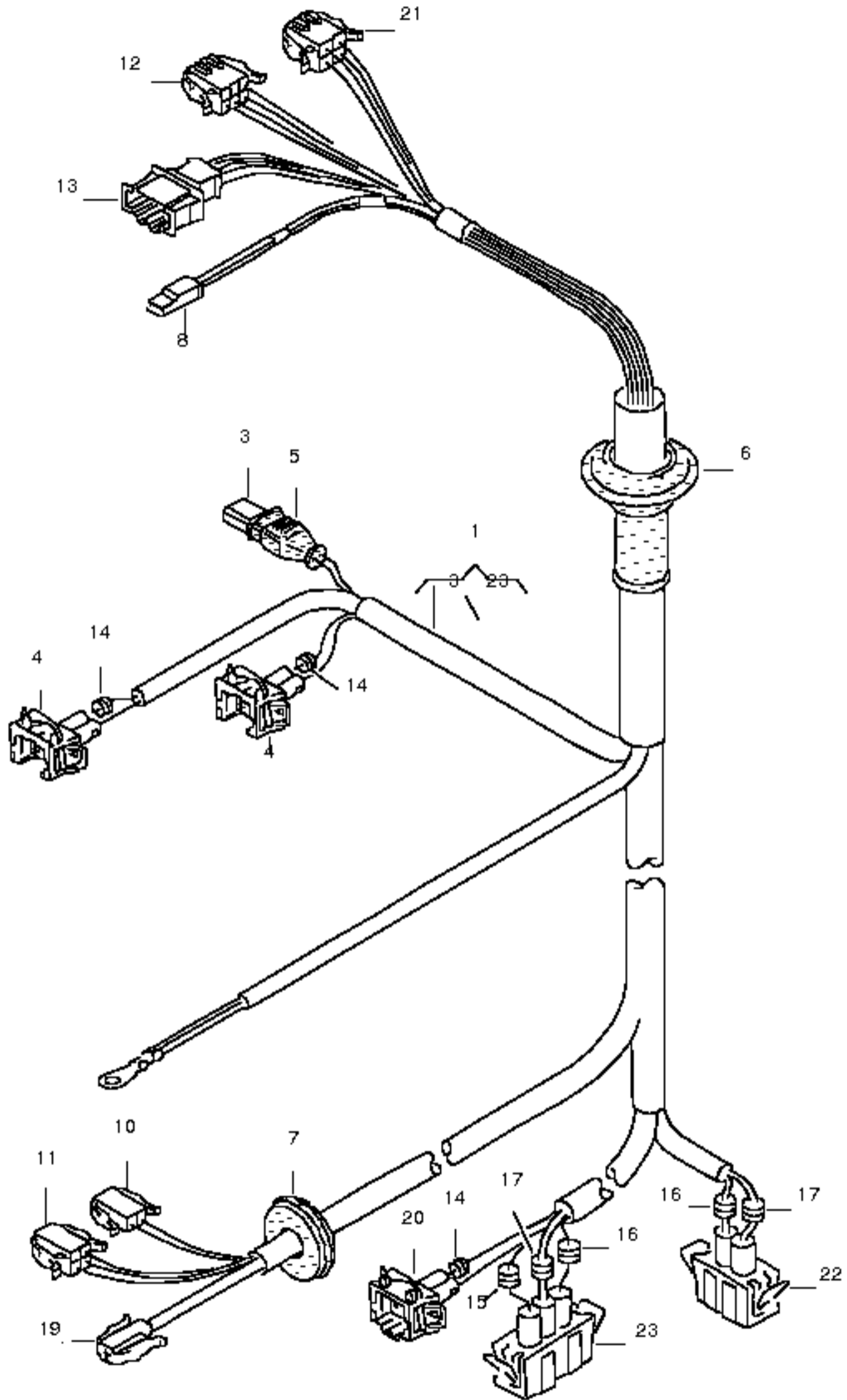
single parts

(24) 701906231
flat contact housing / 1 pin
connecting part
central electrics

25 191972733
flat terminal pin housing / 6 pin
coupling piece
wiring harness for door

(26) 3A0972751H
flat contact housing / 1 pin
connecting part
ground connector

26 191972761
flat contact housing / 1 pin



wiring harness for electronically regulated air conditioner

- 7D1971565A

wiring harness for electronically regulated air conditioner

single parts

- N 90773501

corrugated pipe in coils of 5m 'order unit 5' / 10

- N 90666101

cable tie / 4,5X200

- N 90702301

connecting piece . / 22-22-8,5

- N 90773601

corrugated pipe in coils of 5m 'order unit 5' / 13

- N 90773701

corrugated pipe in coils of 5m 'order unit 5' / 17

- N 90773801

corrugated pipe in coils of 5m 'order unit 5' / 22

- N 90666101

cable tie / 4,5X200

- N 10311304

insulating tape / 0,15X19X10000

- 443906231

flat terminal pin housing / 2 pin

- 037906240

flat contact housing / 2 pin

connecting part

solenoid change-over valve

heat exchanger

switch for temperature sensor

- 357915971A

flat terminal pin housing / 1 pin

connecting part / rhd

central electrics

- 357915971B

flat terminal pin housing / 1 pin

connector location: / 30,30B

/ rhd

- 447919141

protective cap

flat terminal pin housing / 2 pin

- 357945968

flat contact housing with helper contact catch / 12 pin

connector location: / K

- 1H0971840

grommet / 46/10,5

- 1H0971913C

grommet / 33,5,6/10

- 431971995

flat terminal pin housing / 1 pin

connecting part

ground connector

- 867972525A

protective cap

- 191972701

flat terminal pin housing / 1 pin

connecting part

licence plate light

- 1J0972702

flat contact housing / 2 pin

connecting part

evaporator / rear

- 1J0972707

flat contact housing / 7 pin

connecting part

brake, turn signal and taillights

/ right

- 1J0972722

flat terminal pin housing / 4 pin

connecting part

evaporator / rear

- 191972723

flat terminal pin housing / 6 pin

coupling piece

wiring harness for air conditioner operation

- 191972733

flat terminal pin housing / 6 pin

coupling piece

wiring harness for air conditioner operation

- 357972741

single wiring seal / 5,6X7,8

/ blue

for wire cross section: / 1,0

- 357972742

single wiring seal / 9,0X7,8

/ yellow

for wire cross section: / 1,0

- 357972742B

single wiring seal / 9,0X7,8

/ red

for wire cross section: / 2,5

- 357972742C

single wiring seal / 9,0X7,8

/ green

for wire cross section: / 4,0

- 191972751

flat contact housing / 1 pin

connecting part

evaporator / rear

for rear window glass heated

- 3A0972751H

flat contact housing / 1 pin

connecting part

junction box

- 357972752

flat contact housing / 2 pin

connecting part

heat exchanger

- 191972761

flat contact housing / 1 pin

connecting part

rear fog light

- 191972772

flat contact housing / 4 pin

coupling piece

wiring harness for air conditioner operation

- 357972772

flat contact housing / 2 pin

connecting part

blower

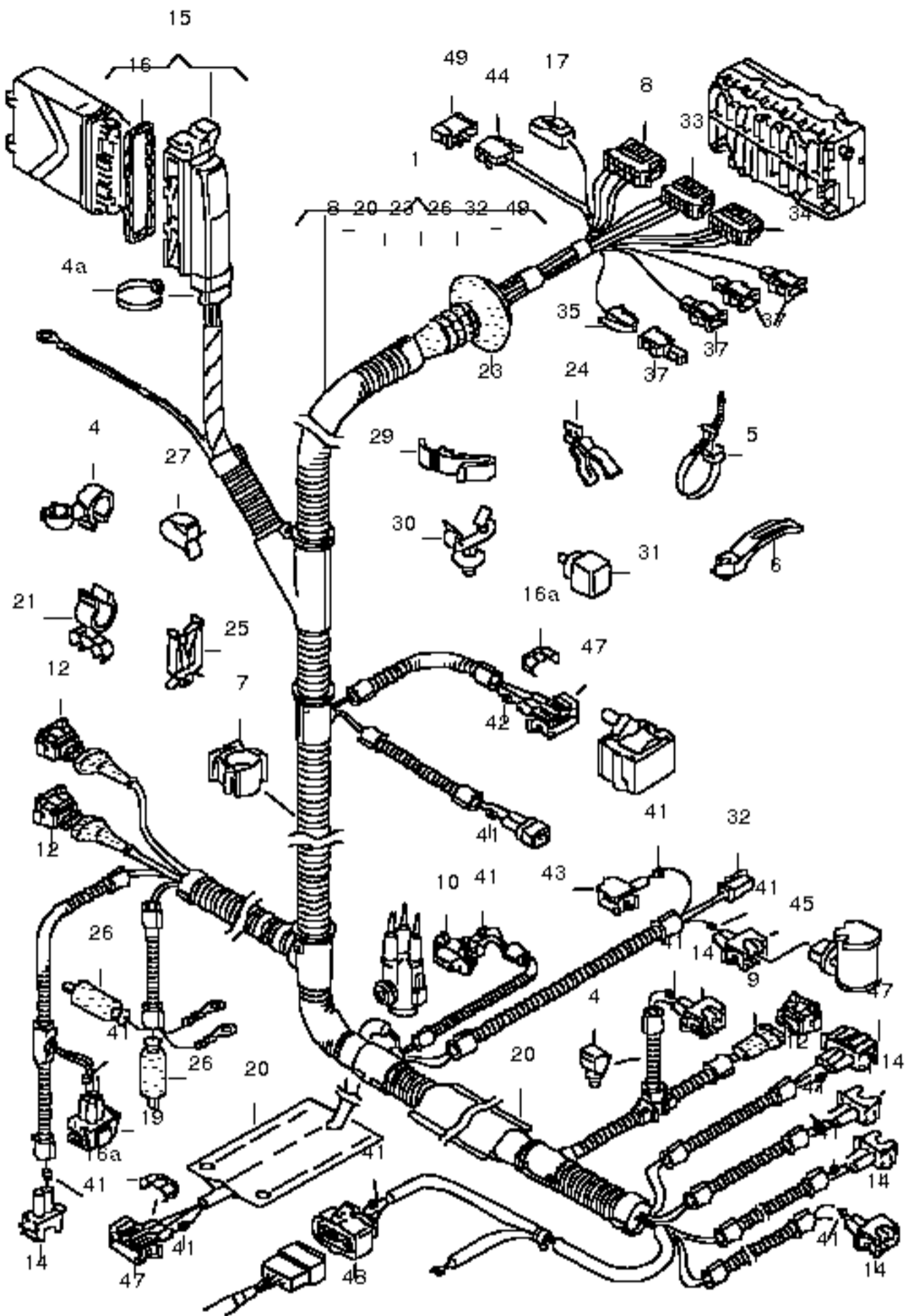
heat exchanger

- 191972773

flat contact housing / 6 pin

connecting part

heat exchanger



harness for engine compartment / ACU,AEN

1 7D1971072R

harness for engine compartment / lhd

(1) 7D1971072T

harness for engine compartment / lhd
for models with electric tachograph

(1) 7D1971072CR

harness for engine compartment / lhd / automatic

(1) 7D2971072D

harness for engine compartment / rhd

(1) 7D2971072AL

harness for engine compartment / rhd
for models with electric tachograph

(1) 7D2971072BS

harness for engine compartment / rhd / automatic

(1) 7D2971072BT

harness for engine compartment / rhd / automatic
for vehicles with multi function indicator

(1) 7D2971072CA

harness for engine compartment / rhd / automatic
for models with electric tachograph

single parts
corrugated pipe
junction
/ see catalogue:
/ 198..974-45

4 192711532

retainer

4A N 0209022

cable tie / 6X246

5 N 90666101

cable tie / 4,5X200

6 N 90643701

cable tie with retainer for welded pin: / 10X187

/ 5

7 N 90698101

bracket for corrugated pipe / 22 / diesel eng.:

/ AAB

8 357903968

flat contact housing with helper contact catch / 10 pin

connector location: / F

9 701905142

protective cap / 16X6,5

10 357905327

flat contact housing / 3 pin

connecting part

ignition distributor

12 443906233

flat contact housing / 3 pin

connecting part

anti-knock sensor / 1+2

idling stabilisation

14 037906240

flat contact housing / 2 pin

connecting part

electronic control unit / NTC

idling switch

valve

temperature sensor

activated carbon filter system

(15) 1H0906370H

flat contact housing with gasket / 45 pin

/ rhd

connecting part

electronic control unit

15 1H0906370M

flat contact housing with gasket / 45 pin

/ lhd

connecting part

electronic control unit

for vehicles with immobilizer

16 1H0906375

gasket / 16X105

16A 357906733B

angled protective cap

17 357915971C

flat terminal pin housing / 1 pin

connector location: / Z1

19 357919754

flat contact housing / 4 pin

connecting part

sender and switch for instruments

20 037971461

heat deflector

21 701971787P

retainer

- 701971825D

protection plate

For ABS

23 1H0971840

grommet / 46/10,5

24 6K0971847A

retainer

25 701971848E

clip

wiring harness: rear

26 811971867

grommet / 10X32

27 321971897

clip

29 701971898K

retainer

connecting part

brake booster

30 1H0971899B

retainer

31 6N0971918A

plug

blind cover

for loom

air conditioner

32 191971922

flat terminal pin housing / 1 pin

connecting part

starter

33 357971967

flat contact housing with helper contact catch / 12 pin

connector location: / G1

34 357971967A

flat contact housing with helper contact catch / 12 pin

connector location: / G2

35 191972701

flat terminal pin housing / 1 pin

connecting part / 191 972 711

(35) 1H0972701

flat contact housing / 1 pin

connecting part

for diagnosis plug

37 191972711

flat connector housing / 1 pin

connecting part

wiring harness for immobilizer

harness for vehicle lighting
coupling piece
for multi-function indicator

(37) 191972724

flat contact housing / 8 pin / automatic

41 357972741

single wiring seal / 5,6X7,8

/ blue

for wire cross section: / 1,0

42 357972741A

single wiring seal / 5,6X7,8

/ red

for wire cross section: / 1,5

43 357972751

flat contact housing / 1 pin

connecting part

alternator

44 1J0972752

flat contact housing / 2 pin / automatic

coupling piece

wiring harness adapter for automatic gearbox

45 357972752

flat contact housing / 2 pin

connecting part

switch for reversing light

outer temperature gauge

47 357972753

flat contact housing / 3 pin

connecting part

ignition transformer

distance sensor

throttle valve

(47) 357972754

flat contact housing / 4 pin / automatic

connecting part

potentiometer

48 3A0973204

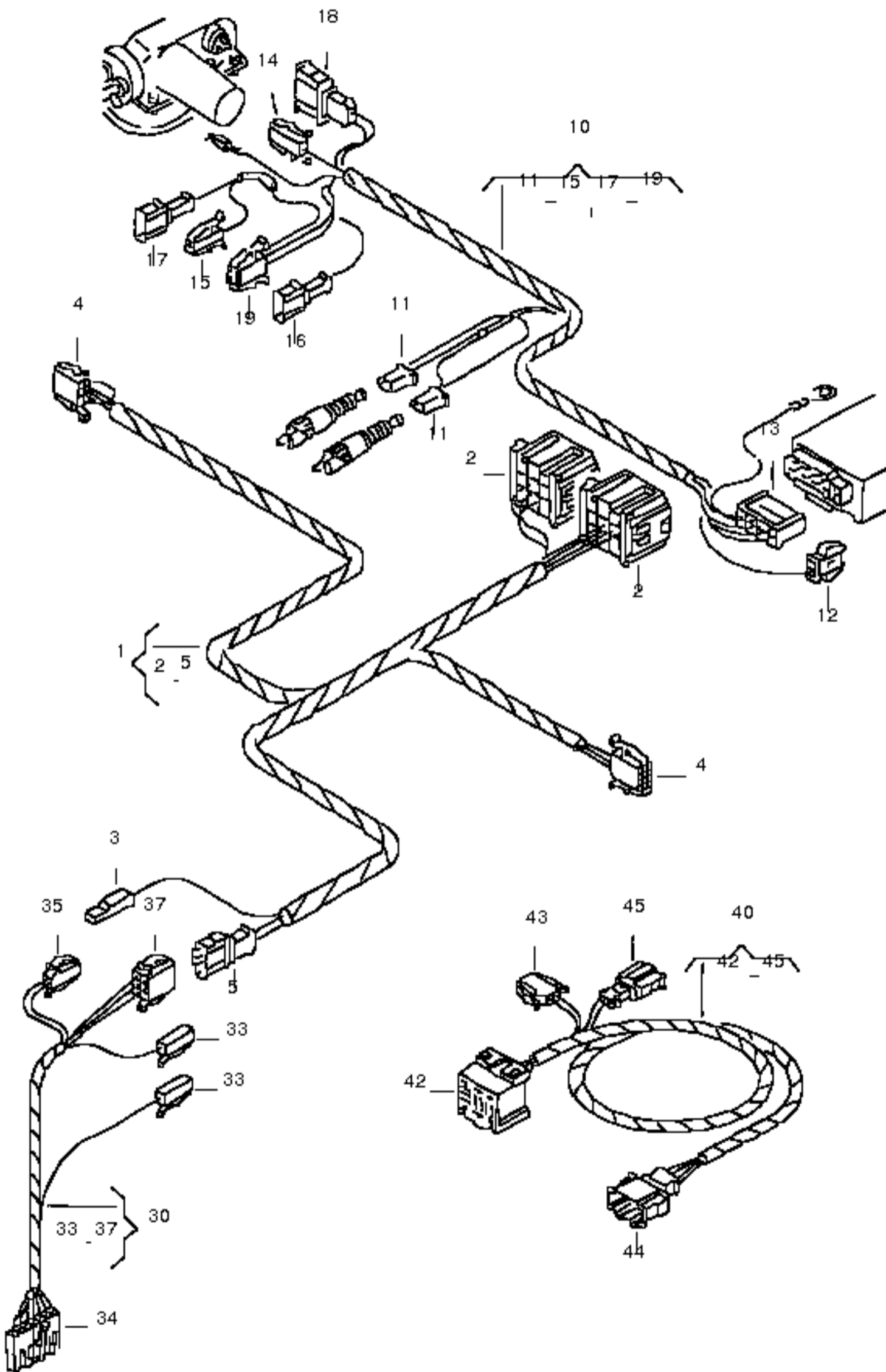
flat contact housing / 4 pin

connecting part

lambda probe

49 1H0972762

contact bridge / 2 pin



wiring harness for heated seat
wiring harness for cruise control system
potentiometer

- 701971381F
wiring harness for heated seat
potentiometer

single parts

- 701906231
flat contact housing / 1 pin
connecting part
junction box
ground connector

- 321971946
flat contact housing / 7 pin
connecting part
potentiometer

- 191972701
flat terminal pin housing / 1 pin

- 191972723
flat terminal pin housing / 6 pin
coupling piece

wiring harness for heated seat

(1) 7D1971381A
wiring harness for heated seat

single parts

2 161937501B
relay plate / 9 pin
(drivers side)
(driver and passenger side)

(3) 3A0972751H
flat contact housing / 1 pin
connecting part
ground connector

4 191972723
flat terminal pin housing / 6 pin
heater element-seat
(drivers side)
(driver and passenger side)

5 191972733
flat terminal pin housing / 6 pin
connecting part
wiring harness for heated seat
potentiometer

wiring harness for cruise control system

(10) 7D0971425
wiring harness for cruise control system

(10) 7D0971425A
wiring harness for cruise control system / automatic

see list of locally- made looms / see no.:
/ 1-425

single parts

11 443906231
flat terminal pin housing / 2 pin
connecting part
valve

12 893971632
flat contact housing / 3,5
connecting part
electronic control unit

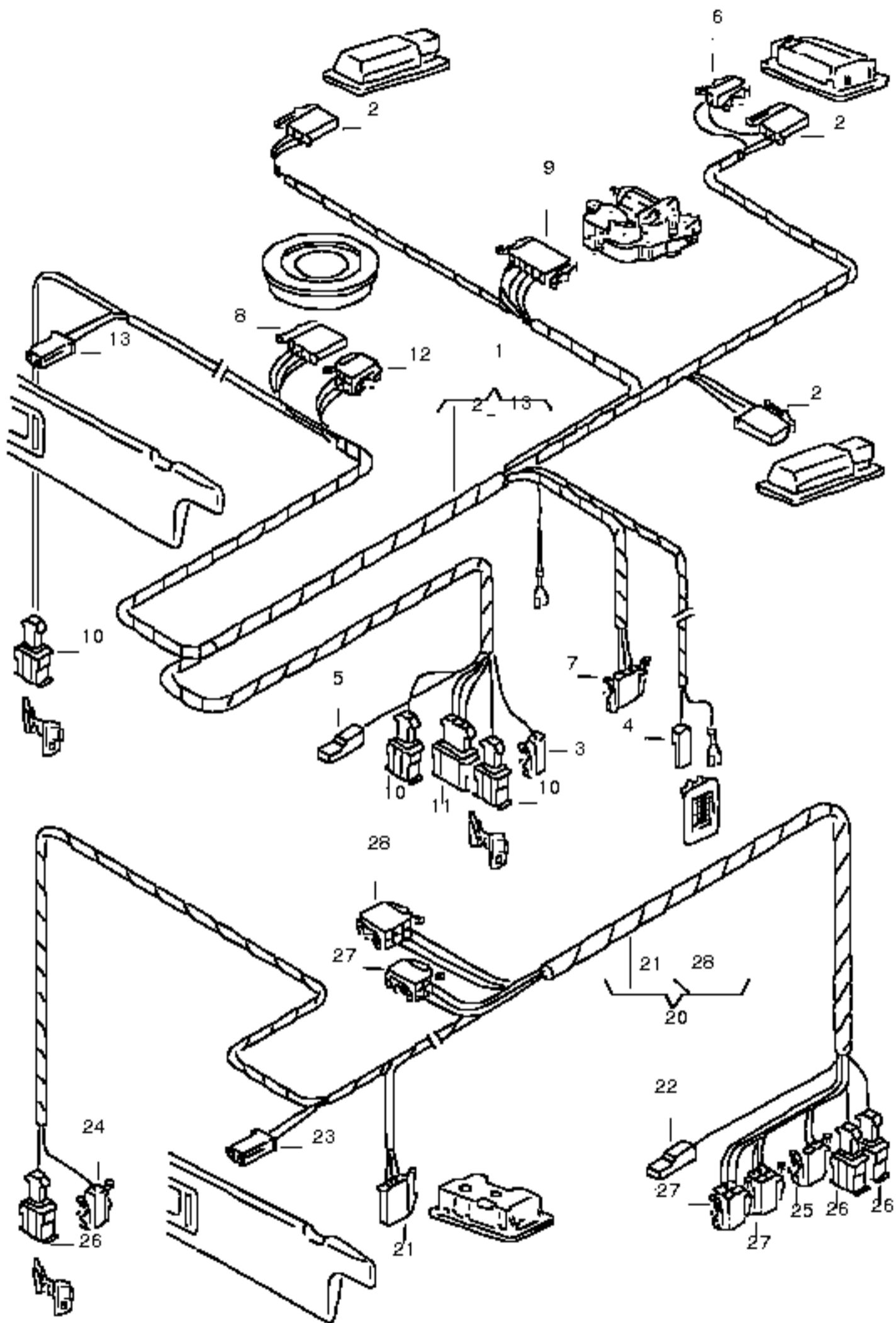
13 811971971
flat contact housing / 8 pin
connecting part
electronic control unit

15 191972701
flat terminal pin housing / 1 pin / automatic
coupling piece
wiring harness for automatic gearbox

(17) 701906231
flat contact housing / 1 pin
connecting part
junction box

18 191972713
flat connector housing / 3 pin
connecting part
pump

19 1J0972722
flat terminal pin housing / 4 pin
connecting part
wiring harness for steering column combination switch



harness for interior light
harness for interior light

(
1) 7D1971101D

harness for interior light
use if required: / 192 972 701 / bus
/ kombi van
/ delivery van

(1) 7D1971101J
harness for interior light / bus
for vehicles with sliding roof / kombi van
see list of locally- made looms / see no.:
/ 1-101

single parts

2 191906231B
flat contact housing / 3 pin

3 701906231
flat contact housing / 1 pin

4 111971921B
flat terminal pin housing / 1 pin
connecting part
step light

5 431971995
flat terminal pin housing / 1 pin
ground connector

6 191972701
flat terminal pin housing / 1 pin

7 1J0972924
flat contact housing / 3 pin
central locking system

8 1J0972704
flat contact housing / 4 pin

9 191972706
flat contact housing / 6 pin

10 191972711
flat connector housing / 1 pin

11 191972713
flat connector housing / 3 pin
for vehicles with central locking system

wiring harness for halogen interior light
see list of locally- made looms / see no.:
/ 1-101

20 7D3971101A
wiring harness for halogen interior light

single parts

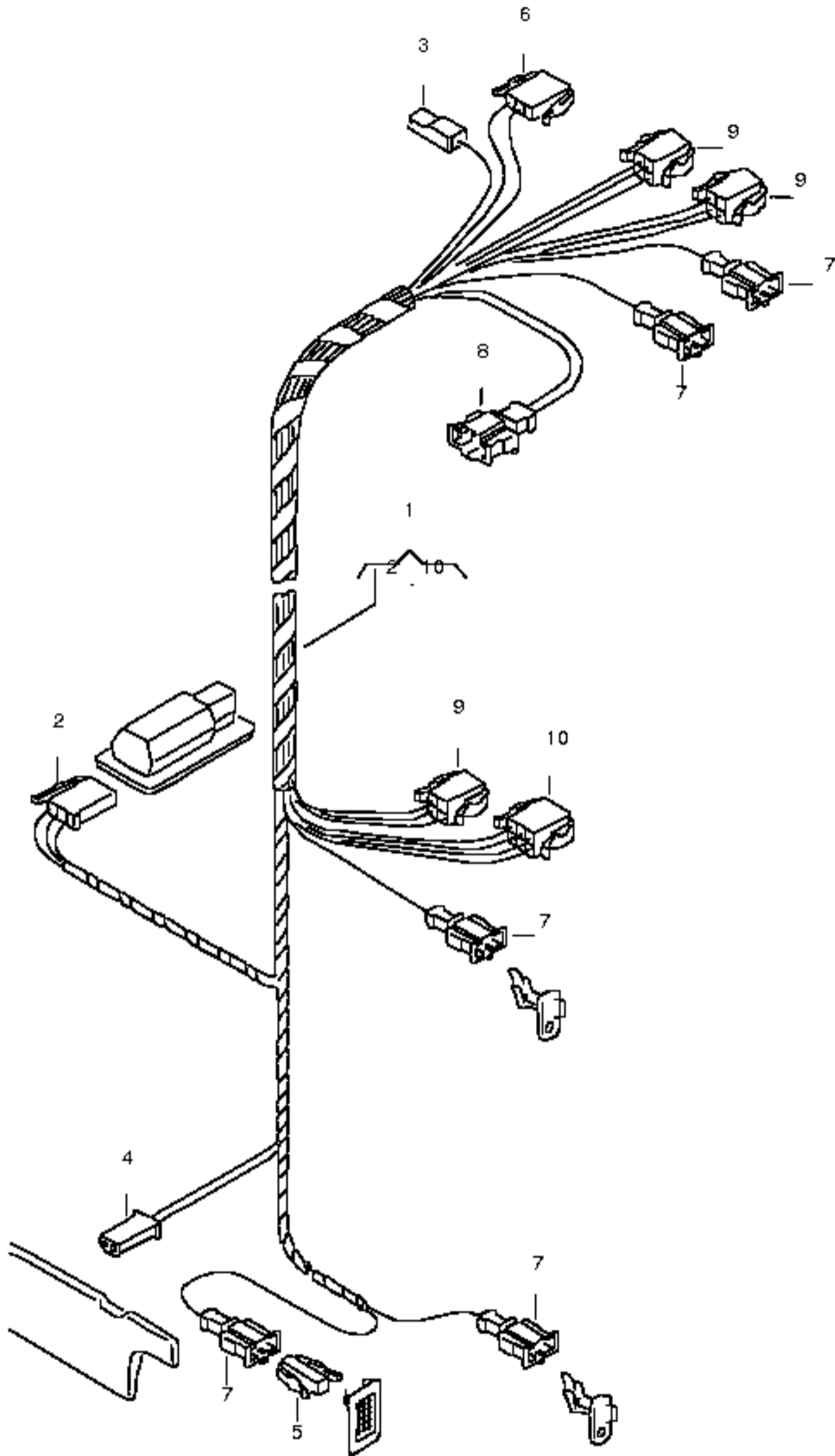
21 191906231B
flat contact housing / 3 pin
connecting part
interior light / front

22 701906231
flat contact housing / 1 pin
connecting part
ground connector

23 4B0971848
cable holder / 6MM

24 111971921B
flat terminal pin housing / 1 pin
connecting part
interior light / rear

25 191972711
flat connector housing / 1 pin
coupling piece
for door contact
warning lamp for hand brake



harness for interior light / camp- mobile

(1) 7D1971101AB

harness for interior light / camp- mobile
for vehicles with auxiliary heater
use if required: / 1J0 972 924

single parts

- N 10311304

insulating tape / 0,15X19

2 191906231B

flat contact housing / 3 pin
connecting part
interior light

(3) 3A0972751H

flat contact housing / 1 pin
connecting part
ground connector

4 171971999A

rd. connector sleeve housing / 2 pin
connecting part
mirror

5 191972701

flat terminal pin housing / 1 pin
coupling piece
step light / right

(5) 1J0972702

flat contact housing / 2 pin

6 1J0972924

flat contact housing / 3 pin
coupling piece
outer temperature sensor

7 191972711

flat connector housing / 1 pin
coupling piece
wiring harness for door contact switch

handbrake

8 191972712

flat connector housing / 2 pin
coupling piece
clock

9 1J0972722

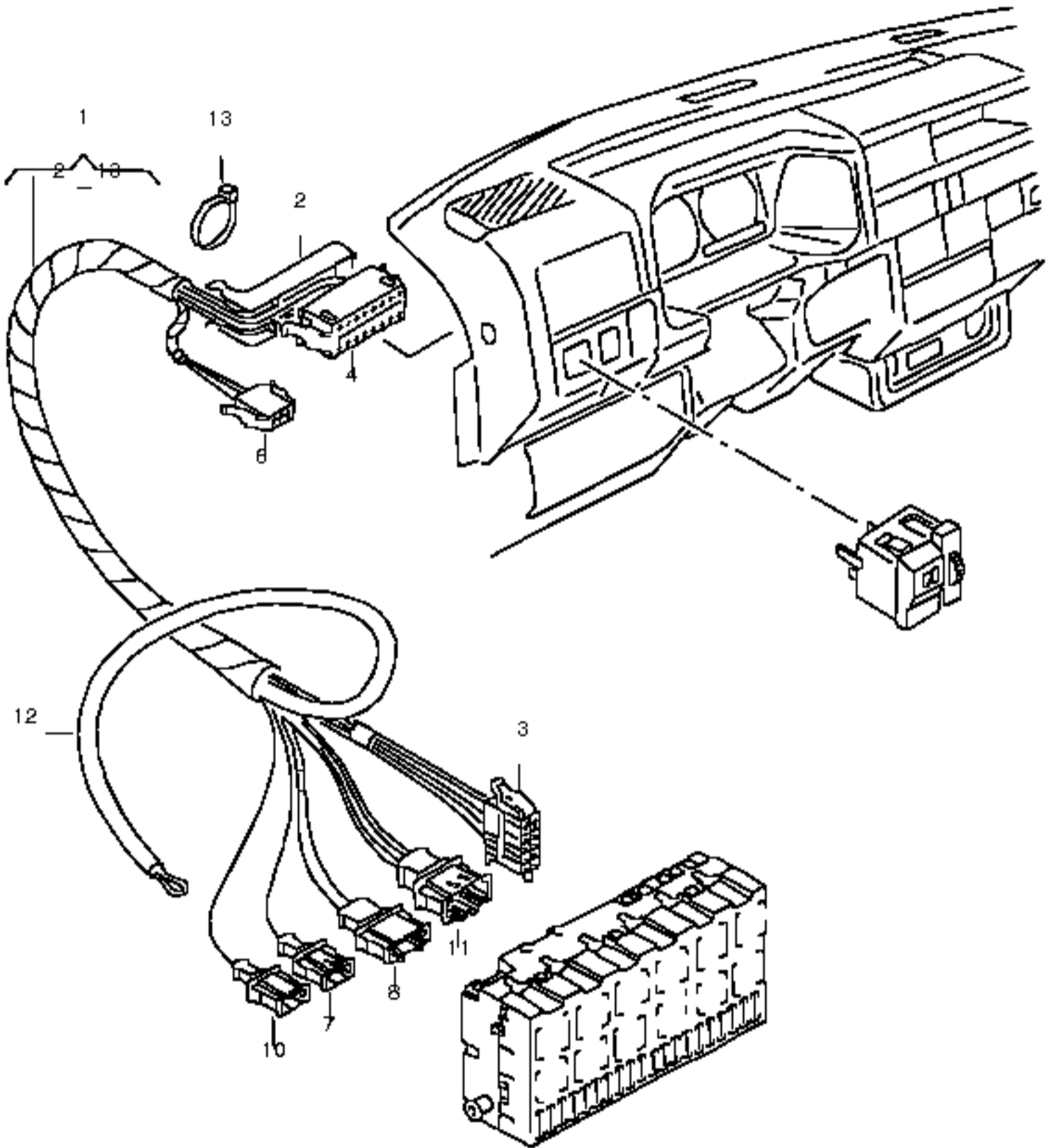
flat terminal pin housing / 4 pin
coupling piece
wiring harness for dash panel
loudspeaker

10 191972723

flat terminal pin housing / 6 pin

- 3A0972751H

flat contact housing / 1 pin



wiring harness for side and headlight switch

1 701971055N

wiring harness for side and headlight switch / lhd
and/or for models with day driving headlights

(1) 702971055

wiring harness for side and headlight switch / rhd
for models with dim-dip headlights

(1) 702971055A

wiring harness for side and headlight switch / rhd

single parts

2 701971883

cover cap / for: flat contact housing / 15 pin

3 357971968C

flat contact housing with helper contact catch / 10 pin

connector location: / R

4 7D1971999

flat contact housing / 15 pin
coupling piece / lhd
switch for lighting

(4) 7D2971999

flat contact housing / 15 pin
coupling piece / rhd
switch for lighting

6 1J0972924

flat contact housing / 3 pin
connecting part
headlight range adjustment
potentiometer

7 191972711

flat connector housing / 1 pin
coupling piece
windscreen washer unit

8 191972713

flat connector housing / 3 pin
coupling piece
for headlamps

(8) 191972751

flat contact housing / 1 pin
coupling piece
for models with dim-dip headlights

10 191972761

flat contact housing / 1 pin
coupling piece
for models with day driving headlights

11 1J0972782

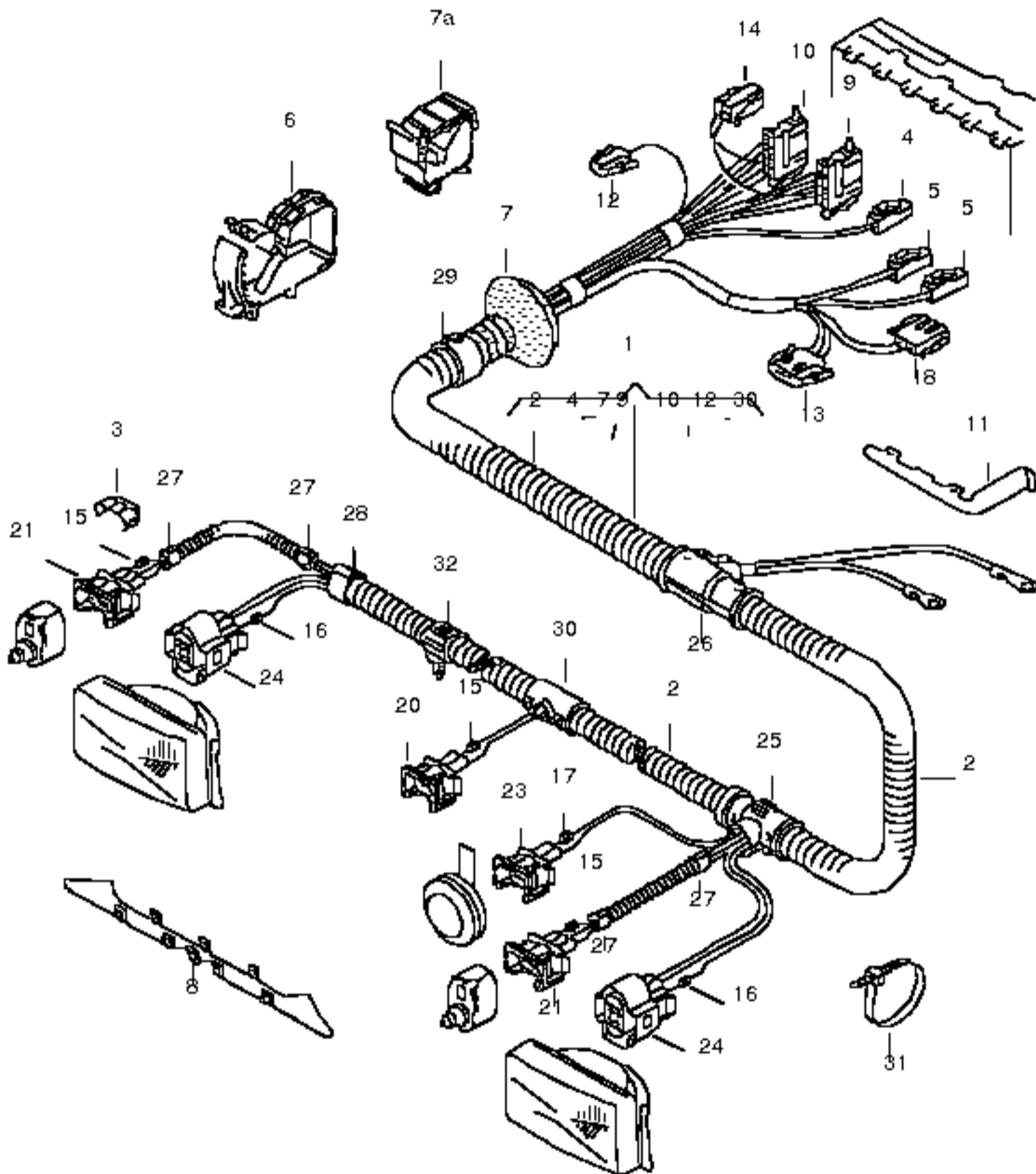
flat contact housing / 4 pin
connecting part
wiring harness for heated rear window

12 N 0180141

insulating hose in coils of 5m 'order unit 5' / 14X0,8

13 N 0209022

cable tie / 6X246



harness for vehicle lighting / front
harness for vehicle lighting / front / PR-AC0:

(1) 701971071JC
harness for vehicle lighting / lhd

(1) 7D1971071A
harness for vehicle lighting / lhd
for vehicles with headlight range adjustment

(1) 702971071DF
harness for vehicle lighting / rhd

(1) 7D2971071A
harness for vehicle lighting / rhd
for vehicles with headlight range adjustment

harness for vehicle lighting / front / PR-AC1:

(1) 701971071HL
harness for vehicle lighting / lhd

(1) 701971071HN
harness for vehicle lighting / lhd
for vehicles with headlight range adjustment

(1) 702971071CR
harness for vehicle lighting / rhd

(1) 702971071CT
harness for vehicle lighting / rhd
for vehicles with headlight range adjustment

single parts
corrugated pipe
see catalogue: / 198,974-45

2A 357906733B
angled protective cap
connecting part
positioning motor / left

4 357915971A
flat terminal pin housing / 1 pin
connector location: / Z2

5 357915971B
flat terminal pin housing / 1 pin
connector location: / 30,30B

7 1H0971840
grommet / 46/10,5

7A 7D0971849
cable holder
connecting part
cross member / front

(8) 701971896
wiring conduit / PR-AC0

8 701971896A
wiring conduit / PR-AC1

9 357971968
flat contact housing with helper contact catch / 8 pin
connector location: / A2

10 357971968A
flat contact housing with helper contact catch
connector location: / A1

11 701971897C
wiring conduit / PR-AC0

12 191972701
flat terminal pin housing / 1 pin
connecting part
temperature regulator switch

13 535972701
flat contact housing / 1 pin
coupling piece / for:
blower

(13) 1J0972924
flat contact housing / 3 pin
connecting part
for vehicles with electric beam range adjustment

14 535972721
flat contact housing / 2 pin / PR-AC1
connecting part
for hand brake control system

(14) 1J0972722
flat terminal pin housing / 4 pin
connecting part
wiring harness for headlight range control

15 357972741
single wiring seal / 5,6X7,8
/ blue
for wire cross section: / 1,0

16 357972741A
single wiring seal / 5,6X7,8
/ red
for wire cross section: / 1,5

17 357972742A
single wiring seal / 9,0X7,8
/ white
for wire cross section: / 1,5

18 1J0972752
flat contact housing / 2 pin
coupling piece
relay / X

20 357972752
flat contact housing / 2 pin
connecting part
additional water pump
turn signal
for fog lamp
parking light warning lamp

21 357972753
flat contact housing / 3 pin
connecting part
for vehicles with headlight range adjustment

23 357972772
flat contact housing / 2 pin
coupling piece
for horn
see list of locally made looms

(24) 1H0973734
flat contact housing / 4 pin / PR-AC1
connecting part
for headlamps

(24) 161941165
flat terminal pin housing / 3 pin / PR-AC0
connecting part
for headlamps

25 N 90669701
corrugated pipe t piece / 17-13-13

26 N 90681201
corrugated pipe y piece / 22-17-13

27 N 90681901
corrugated pipe end piece / 4,5

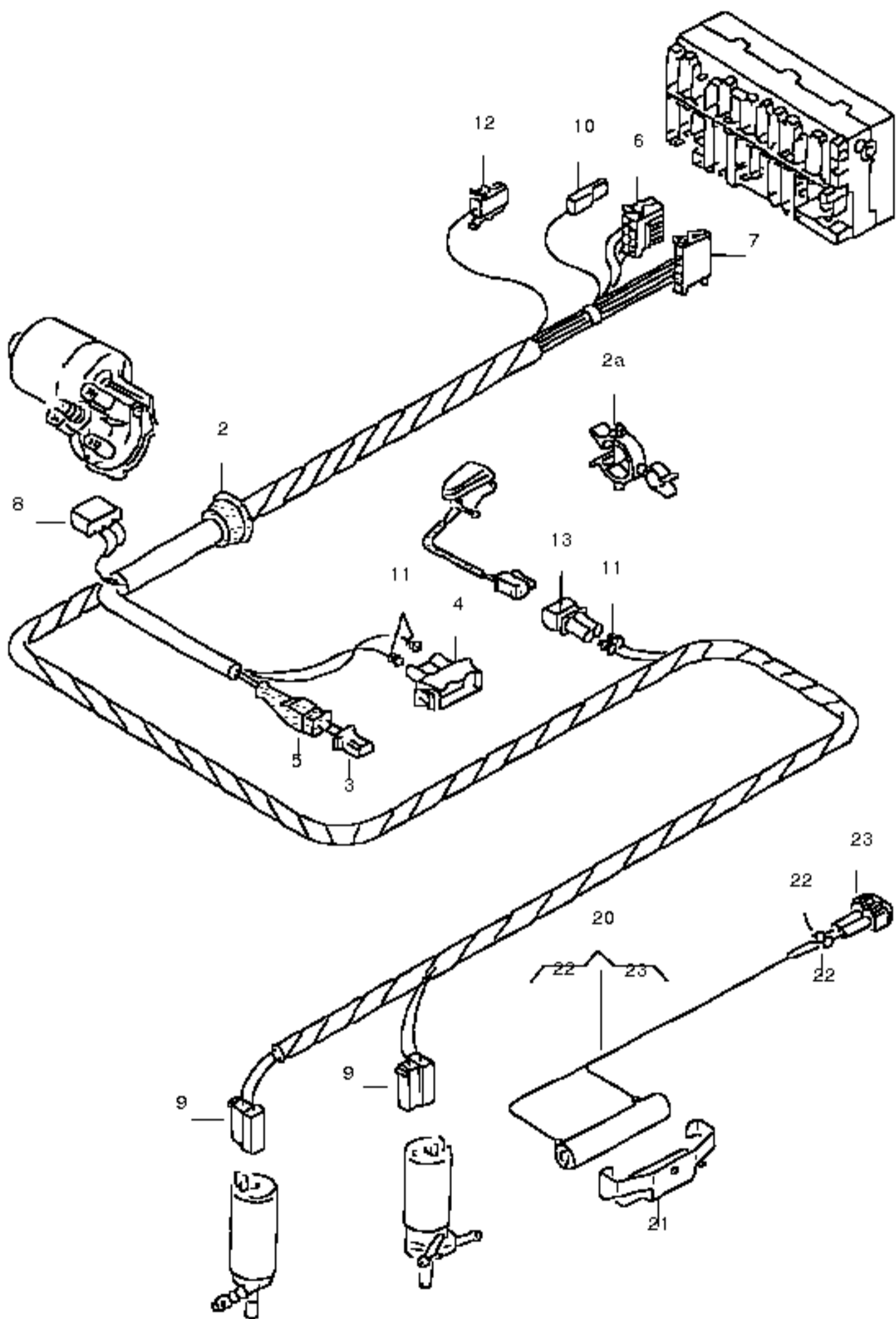
28 N 90682201
corrugated pipe end piece / 13

29 N 90682701
corrugated pipe end piece / 22

30 N 90702001
connecting piece . / 13-13-8,5

(31) N 90666101
cable tie / 4,5X200
discontinued / replacement: / N 900 603 01

- N 90666101
cable tie / 4,5X200



wiring harness for wiper motor / front
 wiring harness
 for dim-dip driving lights
 wiring harness for wiper motor / front

(1) 705971205C
 wiring harness for wiper motor / lhd

(1) 706971205C
 wiring harness for wiper motor / rhd

single parts

- N 10311304
 insulating tape / 0,15X19X10000

- N 90635517
 corrugated pipe in coils of 5m 'order unit 5' / 4,5

- N 90773501
 corrugated pipe in coils of 5m 'order unit 5' / 10

- N 90681901
 corrugated pipe end piece / 4,5

- N 90682001
 corrugated pipe end piece / 7,5

- 037972645
 corrugated pipe y piece / 7,5-7,5-4,5

2A 281971787C
 retainer, swivelling / 12/24
 return hose

(2) 1H0971913C
 grommet

(3) 6N0973702
 flat contact housing / 2 pin
 fluid container
 brake fluid

4 357906752
 flat contact housing / 2 pin
 water level switch

6 357955968
 flat contact housing with helper contact catch / 8 pin

connector location: / C

7 357955968A
 flat contact housing with helper contact catch / 5 pin

connector location: / S

8 171971835A
 flat terminal pin housing / 5 pin
 wiper motor

(9) 357972752
 flat contact housing / 2 pin
 for vehicles with headlight washer system

(10) 3A0972751H
 flat contact housing / 1 pin
 connecting part
 ground connector

- 357972740D
 single wiring seal / 3,9X7,8
 / grey
 for wire cross section: / 0,5-1,0

- 357972741
 single wiring seal / 5,6X7,8
 / blue
 for wire cross section: / 1,0

11 357972741A
 single wiring seal / 5,6X7,8
 / red
 for wire cross section: / 1,5

12 191972751
 flat contact housing / 1 pin
 connecting part
 wiring harness for headlight washer system

13 357972762
 flat connector housing / 2 pin
 heated spraying jet

wiring harness / "GB."
 for dim-dip driving lights

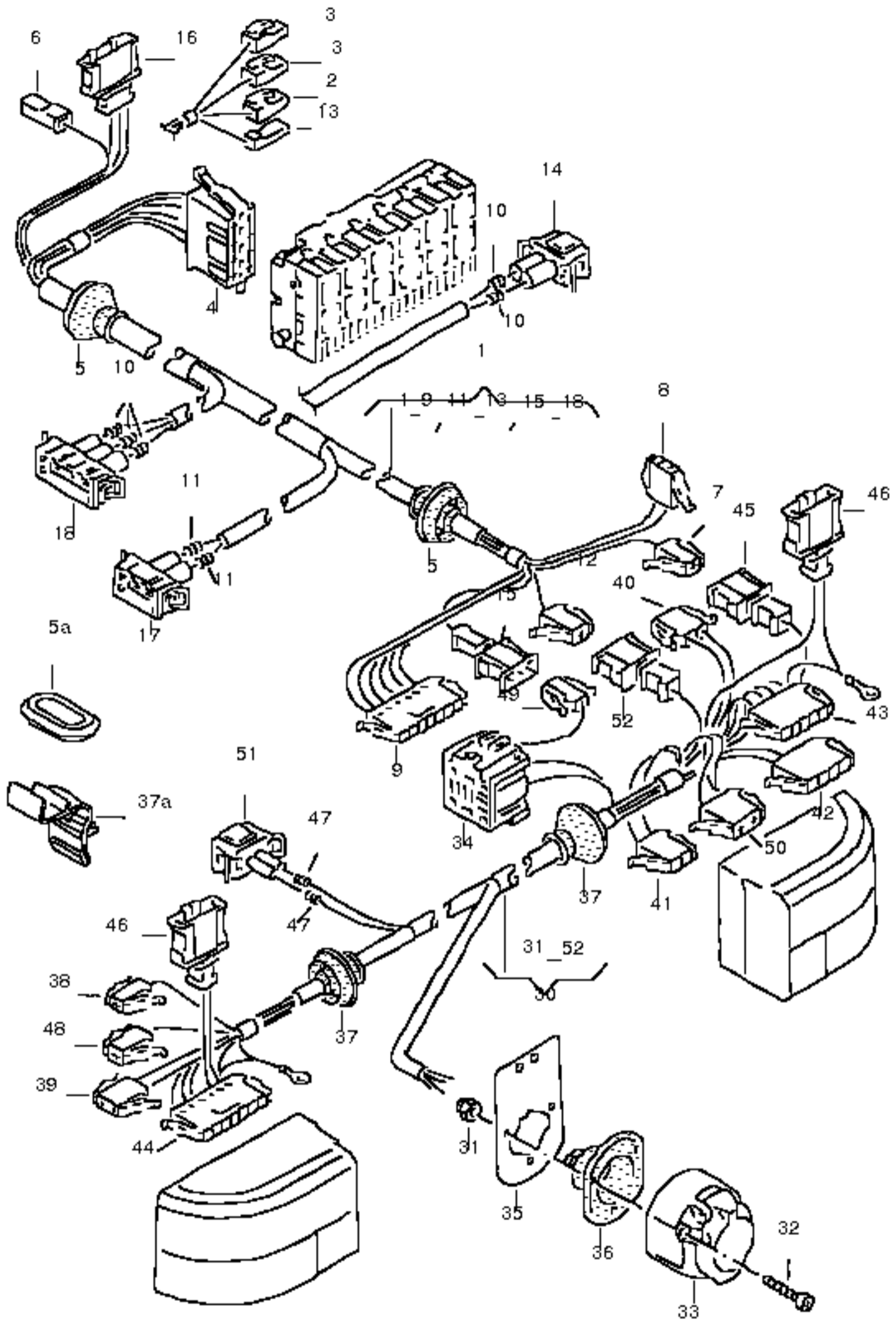
20 535971284
 wiring loom for dim-dip driving lights
 use if required: / N 906 819 01

- N 90681901
 corrugated pipe end piece / 4,5

21 321971280
 bracket for resistance

22 357972741A
 single wiring seal / 5,6X7,8
 / red
 for wire cross section: / 1,5

23 357972762
 flat connector housing / 2 pin



wiring harness: rear / bus
wiring harness for tail light / kombi van
/ delivery van
wiring harness: rear

(1) 7D3971011
wiring harness: rear / lhd

(1) 7D4971011
wiring harness: rear / rhd
* insulate unconnected * * cable ends *

single parts

2 357915971A
flat terminal pin housing / 1 pin
connector location: / Z2
/ rhd

3 357915971B
flat terminal pin housing / 1 pin
connector location: / 30,30B
/ rhd

(3) 1J0972752
flat contact housing / 2 pin
connecting part / rhd
relay
for relief relay x contact

4 357945968
flat contact housing with helper contact catch / 12 pin
connector location: / B

(5) 1H0971840B
grommet / 12,5X46

5A 701971910
plug / 28X14

(6) 431971995
flat terminal pin housing / 1 pin
ground connector

(6) 3A0972751H
flat contact housing / 1 pin
ground connector

7 191972701
flat terminal pin housing / 1 pin

8 1J0972702
flat contact housing / 2 pin
for vehicles with
wash and wipe system for rear window

9 1J0972707
flat contact housing / 7 pin

10 357972742A
single wiring seal / 9,0X7,8
/ white
for wire cross section: / 1,5
/ lhd
/ rhd

11 357972742B
single wiring seal / 9,0X7,8
/ red
for wire cross section: / 2,5
for vehicles with
additional heat exchanger

12 191972751
flat contact housing / 1 pin

13 191972751
flat contact housing / 1 pin
/ rhd

14 357972752
flat contact housing / 2 pin
engine compartment light / rhd

15 191972761
flat contact housing / 1 pin

16 191972763
flat contact housing / 3 pin
connecting part
switch
additional heat exchanger

17 357972772
flat contact housing / 2 pin
connecting part
additional heat exchanger

(18) 1H0906233
flat contact housing / 3 pin
connecting part
additional heat exchanger
resistor

wiring harness for tail light

(30) 7D1971169C
wiring harness for tail light

(right-hand traffic only)

(30) 7D1971169E
wiring harness for tail light
for models with towing facility
(right-hand traffic only)
also use: / 70-T-250 000>>
/ 1J0 972 722
** see current flow diagram ** / 000 979 133

(30) 7D2971169B
wiring harness for tail light

(left-hand traffic only)

(30) 7D2971169C
wiring harness for tail light
for models with towing facility
(left-hand traffic only)
also use: / 70-T-250 000>>
/ 1J0 972 722
** see current flow diagram ** / 000 979 133

single parts

(37) 1H0971840
grommet / 46/10,5

37A 701971848AB
cable holder

38 191972701
flat terminal pin housing / 1 pin
coupling piece
wiring harness for boot lid/ tailgate

40 1J0972702
flat contact housing / 2 pin
coupling piece
wiring harness for boot lid/ tailgate

41 1J0972702
flat contact housing / 2 pin
coupling piece
wiring harness for trailer socket

43 191972705
flat terminal pin housing / 5 pin

44 1J0972707
flat contact housing / 7 pin

45 191972711
flat connector housing / 1 pin
connecting part
wiring harness: rear

46 191972712
flat connector housing / 2 pin
connecting part
wiring harness adapter
roof turn signal

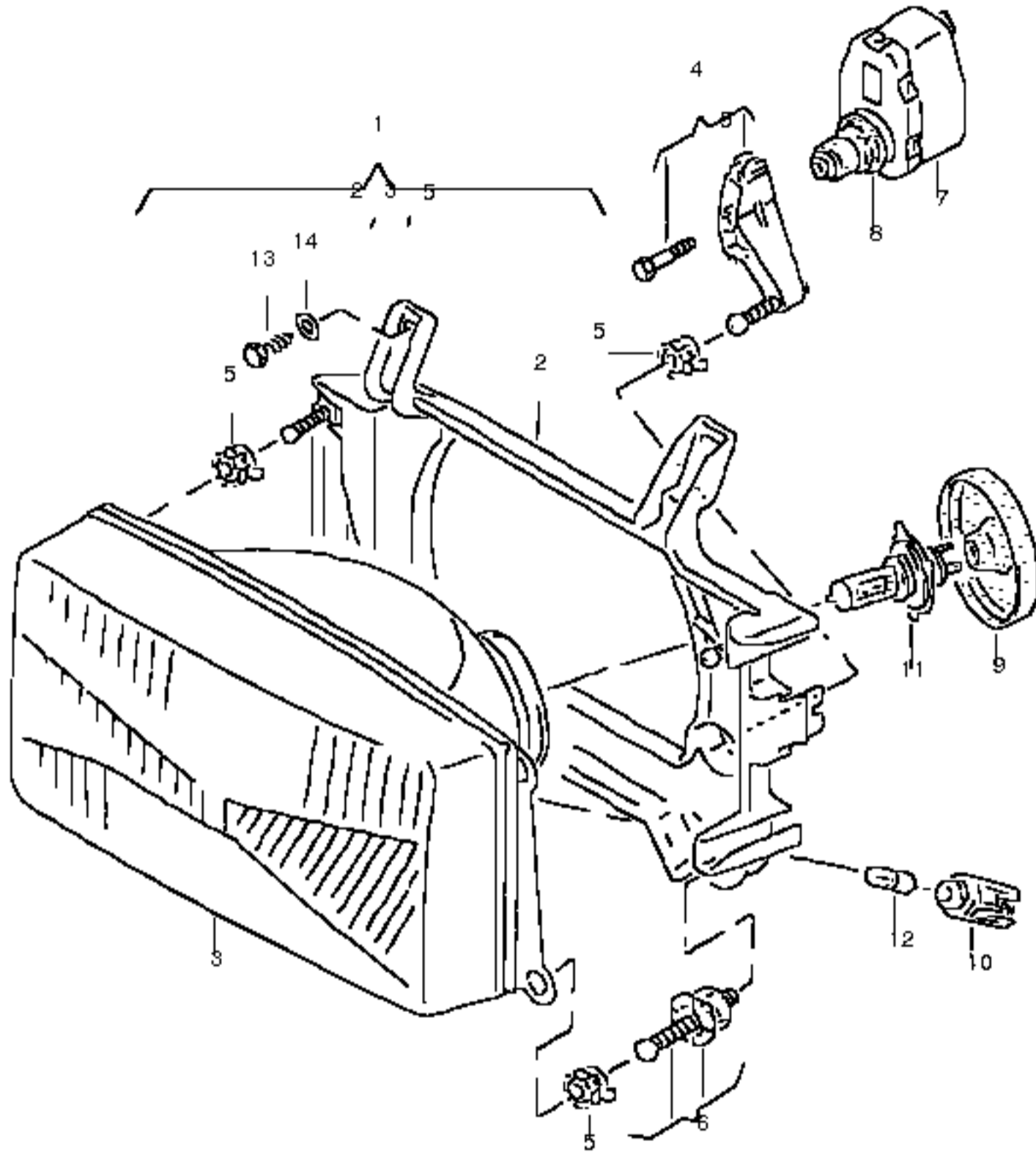
47 357972741A
single wiring seal / 5,6X7,8
/ red
for wire cross section: / 1,5

48 191972751
flat contact housing / 1 pin
coupling piece
wiring harness for trailer socket

49 191972751
flat contact housing / 1 pin
coupling piece
wiring harness
for trailer towing
for air conditioner

50 1J0972752
flat contact housing / 2 pin
tail light
for models with towing facility

51 357972752
flat contact housing / 2 pin
connecting part
rear fog light



headlight / HELLA / PR-ACO

1 701941017

halogen headlight / left
(right-hand traffic only) / HELLA

(1) 701941018

halogen headlight / right
(right-hand traffic only) / HELLA

(1) 702941017A

halogen headlight / left / "J."
(left-hand traffic only) / HELLA

(1) 702941018A

halogen headlight / right / "J."
(left-hand traffic only) / HELLA

2 701941045

retaining frame / left

(2) 701941046

retaining frame / right

3 701941105

headlight unit / left
(right-hand traffic only)

(3) 701941106

headlight unit / right
(right-hand traffic only)

(3) 702941105A

headlight unit / left / "J."
(left-hand traffic only)

(3) 702941106A

headlight unit / right / "J."
(left-hand traffic only)

4 701941141

setting lever
for vehicles with electric beam range adjustment

5 867941142

adjusting piece

6 701941141A

adjusting screw
for vertical adjustment

7 165941295

headlight range control motor

8 443941323

seal

9 531941605A

cover cap

10 191941669A

socket for bulb

11 N 0177632

halogen bulb / YD12V60/55W H4

- 000998200

1 set of bulbs / H4

(11) N 0177643

halogen bulb, yellow glass / YD12V60/55W H4

12 N 0177172

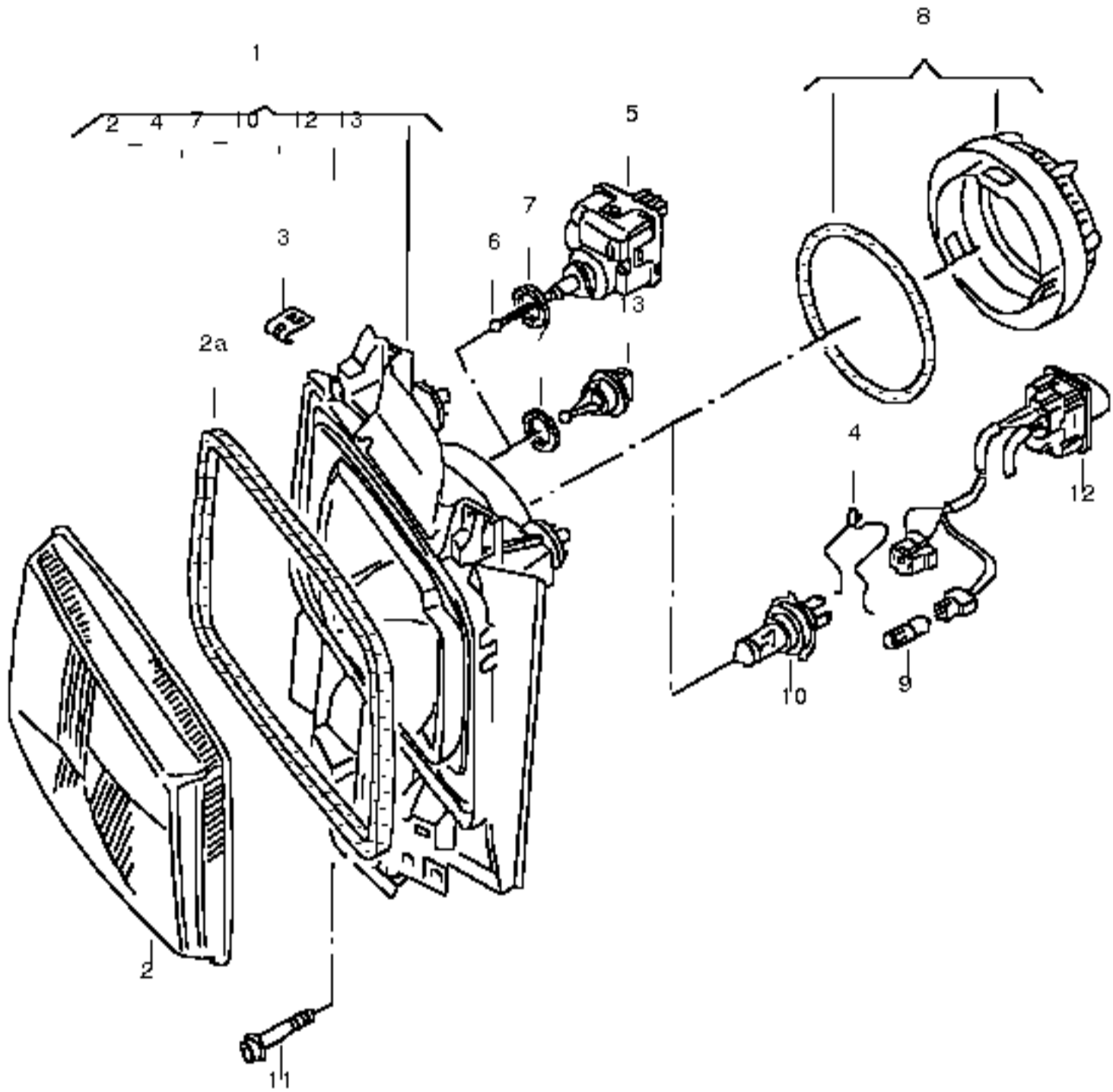
bulb / HL12V4W

13 N 0138873

hexagon head panel screw / B5,5X16

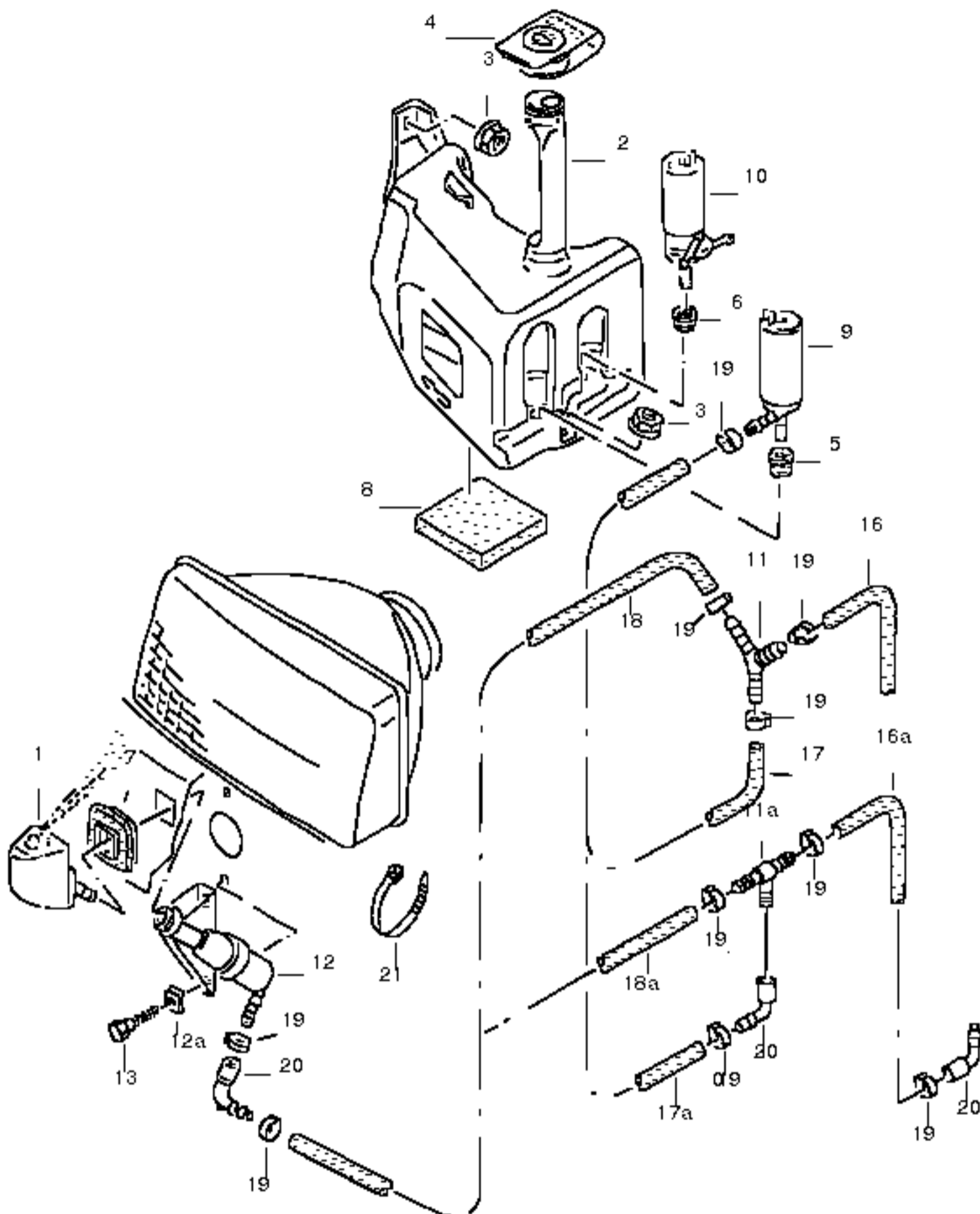
14 N 0116511

washer / 5,8X10X0,9



headlight / VALEO / PR-AC1

- (1) 7D1941009H
halogen headlight / left
(right-hand traffic only)
- (1) 7D2941009E
halogen headlight / left
(left-hand traffic only)
- 1 7D1941010H
halogen headlight / right
(right-hand traffic only)
- (1) 7D2941010K
halogen headlight / right
(left-hand traffic only)
- (2) 701941115
headlight lens / left
(right-hand traffic only)
- (2) 702941115
headlight lens / left
(left-hand traffic only)
- 2 701941116
headlight lens / right
(right-hand traffic only)
- (2) 702941116
headlight lens / right
(left-hand traffic only)
- 2A 7D0941119
gasket for headlamp / left
- 3 701941125
retaining spring
headlight lens
- 4 701941160
spring for halogen bulb
- 5 1H0941295E
headlight range control motor
also use: / 3A0 941 141
- 6 3A0941141
adjusting screw / M5X50
- 7 443941323
seal
- 8 1H6941607B
protective cap
- 9 N 0177172
bulb / HL12V4W
- 10 N 0177632
halogen bulb / YD12V60/55W H4
- 000998200
1 set of bulbs / H4
- 11 N 90535001
allen key head bolt / M6X24
- wiring harness adapter
no replacement part
detent pin
no replacement part



headlight washer system

(1) 701955101

jet carrier with jet / left

1 701955102

jet carrier with jet / right

(2) 701955453C

fluid container

3 N 90352101

hexagon nut, shouldered / 5

4 8D0955455

locking cover

5 431955465A

gasket

6 443955465

gasket / 12X6,5

7 7D0955479

grommet

8 867955499

base

9 3B7955681

pump

headlight washer system

also use: / 1J0 973 722 A

see illustration: / 955-25

11A 8D0955873

junction

12 701955976

pressure cylinder

12A N 0154491

snap nut / ST6,3X24,5X15

13 N 0159461

hexagon head panel screw / A6,5X19

- 1J0955964F

hose in coils of 5m 'order unit 5' / S10X3

shorten to: / 1070MM

shorten to: / 750MM

shorten to: / 320MM

shorten to: / 285MM

19 N 10258201

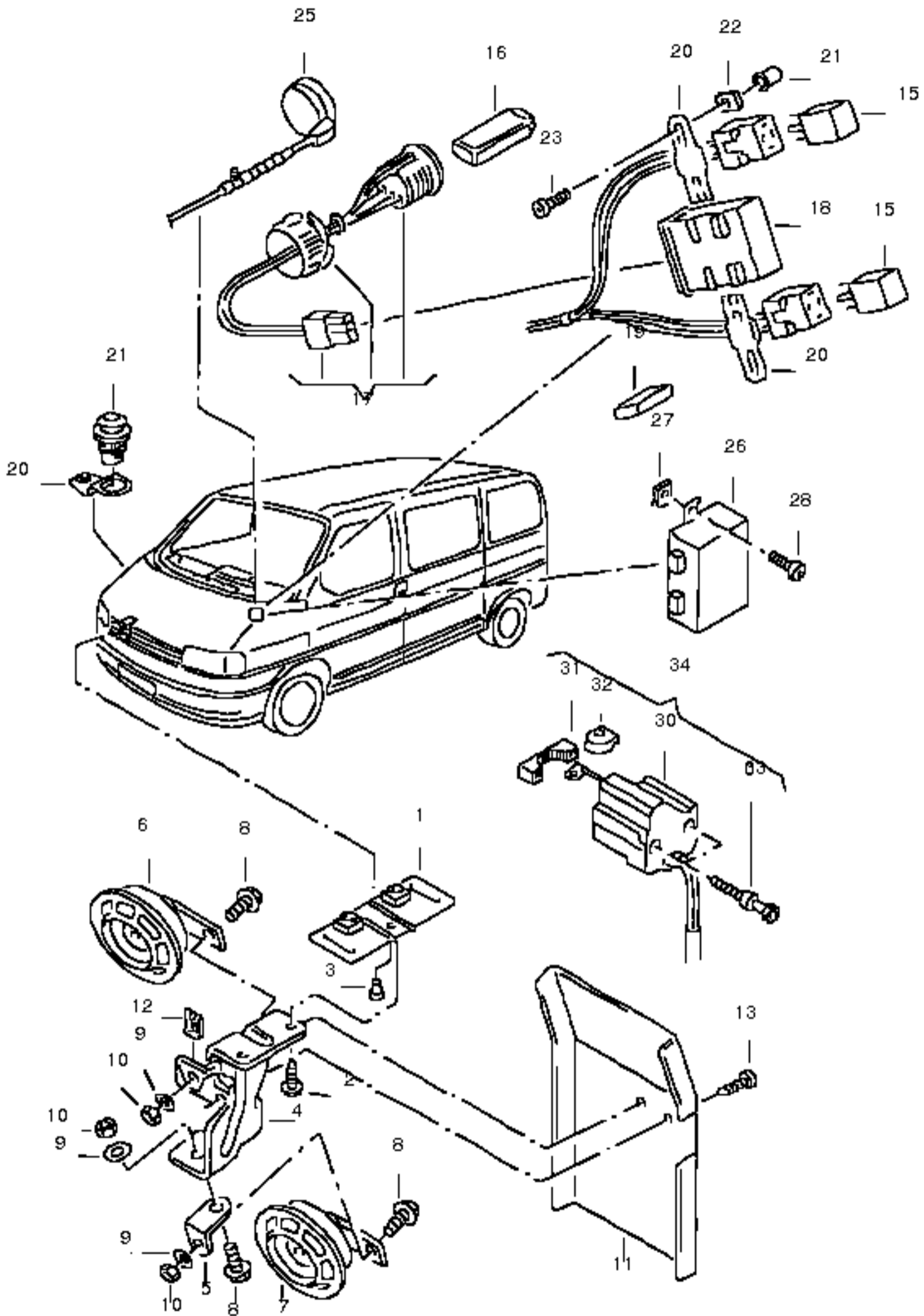
pipe clip / AL12-22

20 701955977

angled piece

21 N 90666101

cable tie / 4,5X200



high volume horn
immobilizer
high volume horn

1 701951183
retainer

2 N 0195024
hexagon head bolt c/w shoulder / M8X25

3 N 90478601
pop-rivet / A4,8X11

4 7D0951183B
retainer

5 357951185A
retainer

6 191951215
high volume horn / low tone

7 191951217
high volume horn / high tone

8 N 0102524
hexagonal head bolt / M10X20

9 N 0120113
spring ring / A10

10 N 10155207
hexagonal nut / M10-SW16

(11) 701951203B
cover cap

12 N 0454271
snap nut / B4,2X25,5X12,7

13 N 0139671
oval head panel screw / B4,2X19-C

immobilizer

(25) 1H0953254E
reader coil / black

26 1H0953257BX
control unit for anti-theft device

27 N 90506601
snap nut / 3,1X13X11,5

28 N 90241203
fillister hd. bolt / M4X20

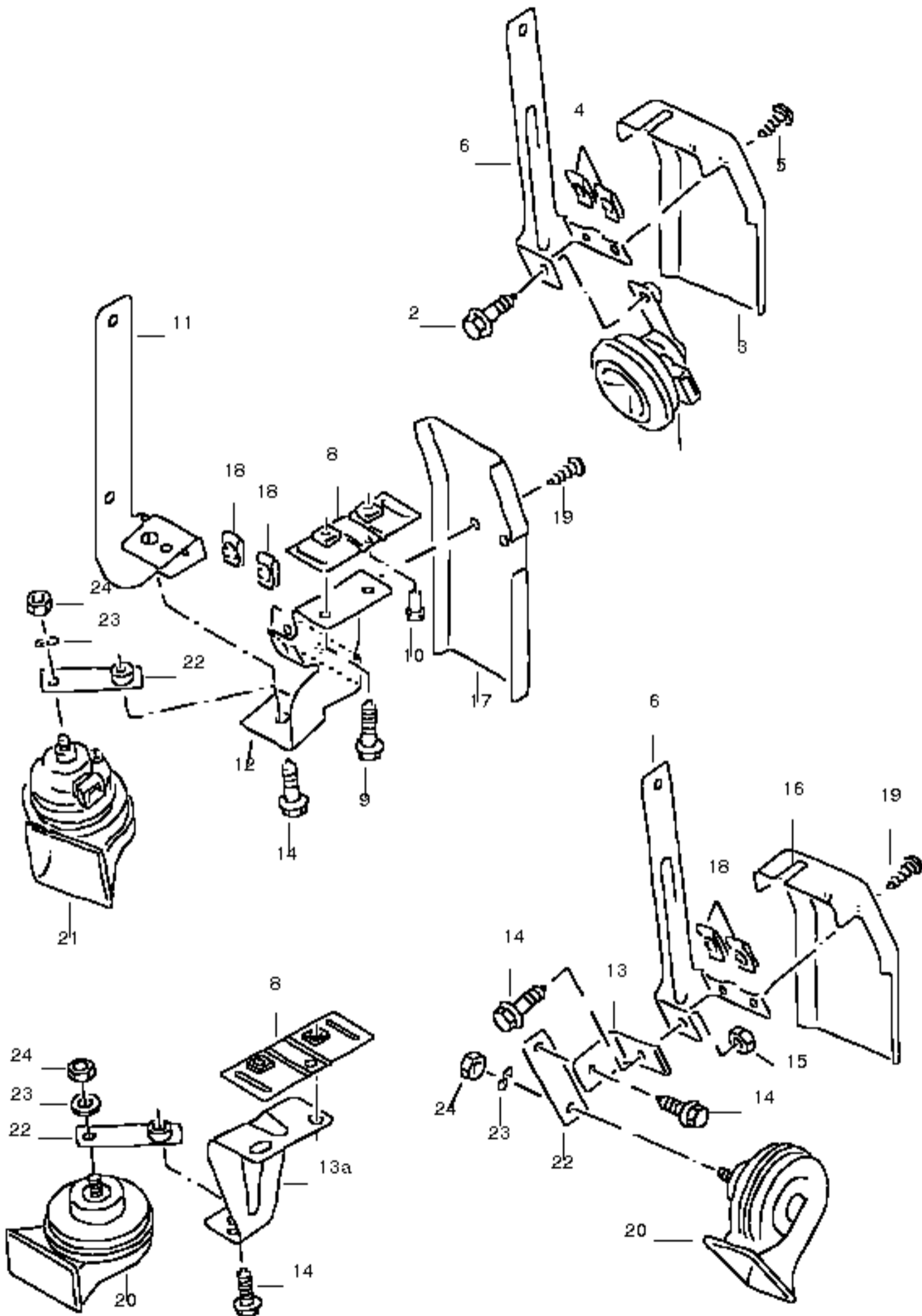
immobilizer / DIESELMOTOR:
/ ABL,AAB

30 028907627
fuel cut-off solenoid

31 028955125
pipe clip

32 028905213
cover cap

33 028903285
sheer bolt



horn

horn

1 191951113B

horn

2 N 0195334

hexagon head bolt c/w shoulder / M8X20

3 701951203

cover cap

4 N 0154552

snap nut

5 N 0139671

oval head panel screw / B4,2X19-C

dual horn

8 701951183

retainer

9 N 0195024

hexagon head bolt c/w shoulder / M8X25

10 N 90478601

pop-rivet / A4,8X11

13A 701951185J

retainer

14 N 0195334

hexagon head bolt c/w shoulder / M8X20

15 N 90074401

hexagon nut, self-locking / M8

16 701951203

cover cap

17 701951203B

cover cap

18 N 0454271

snap nut / B4,2X25,5X12,7

19 N 0139671

oval head panel screw / B4,2X19-C

20 3B0951221

fanfare horn / low tone

21 3B0951223

fanfare horn / high tone

22 191951227

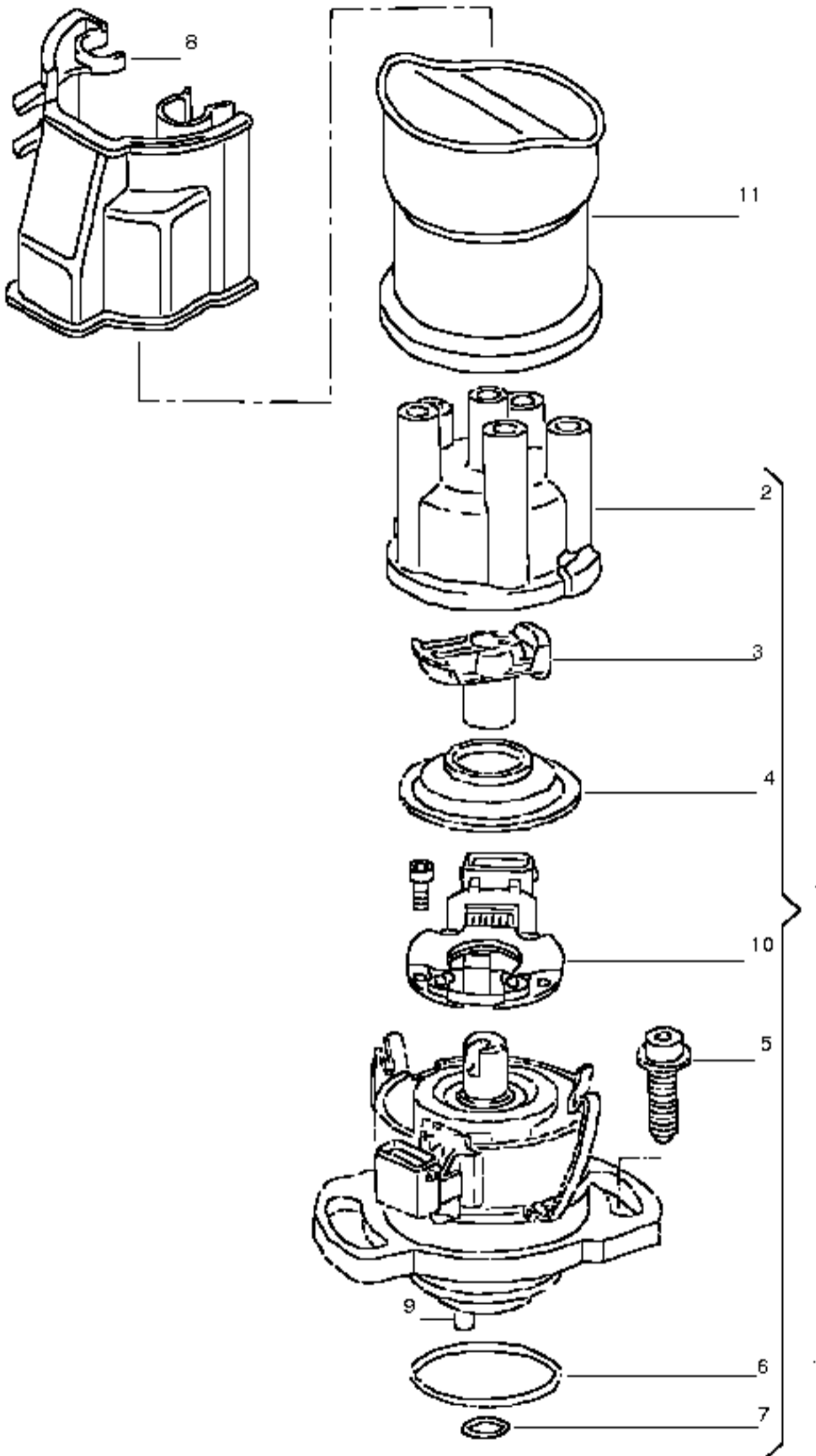
retainer

23 N 0121192

lock washer / A8,2

24 N 01100830

hexagonal nut / M8



ignition distributor / 5-cylinder/
/ ACU

1 023905205C
ignition distributor

(1) 023905237AX
ignition distributor
to be used for: / 023 905 205 C

2 034905207B
distributor cap

3 052905225C
rotor for distributor / 10MM

4 030905241A
dust protection cover

5 N 10172501
allen key head bolt (combi) / M6X22-S4-SP

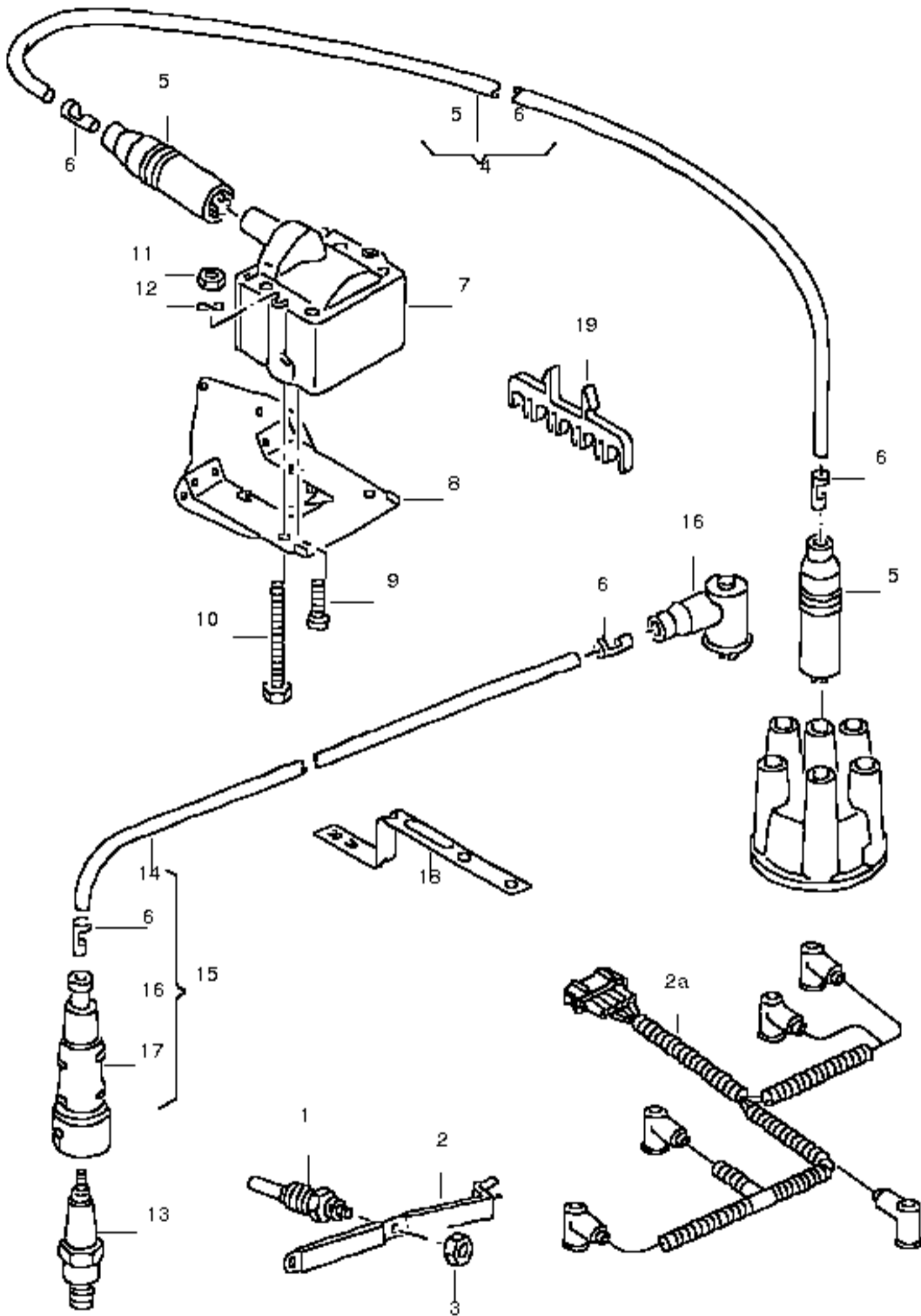
6 N 90436601
seal / 41,2X3-N

7 030905261
seal

8 023905213A
covering
for distributor

9 030905242
driver

10 030905065
impulse sender



ignition transformer / ACU,AAB,ACV

ignition lead

spark plug

glow plug

(1) N 10213002

glow plug / M12 BOSCH / AAB

(1) N 10140105

glow plug / M10X1X25 BERU / ACV

(2A) 031972095

wiring harness / AAB

current rail

(2A) 074972095B

current rail / ACV

(2A) 074972095C

current rail / AAB

3 N 0221544

hexagon nut, self-locking / M5 / AAB

(4) N 10052909

ignition lead / B4X720MM

5 052035281

connector (screened) for ignition leads

6 030905423A

connector for ignition leads

(7) 6N0905104

ignition transformer

8 701905131A

retainer

ignition transformer

9 N 0141201

fillister hd. bolt / M4X12

10 N 0103373

hexagonal head bolt / M6X65

11 N 01100624

hexagonal nut / M6

12 211805243

spring washer / 6,4X17

(13) 101000036AB

spark plug 'longlife' / BUR5ET NGK

14 N 0183851

ignition cable in coils of 50m 'order unit 50'

15 N 10052812

ignition lead / B6X720

cylinders 1-3

(15) N 10052808

ignition lead / B6X440

cylinders 4,5

- 035905471

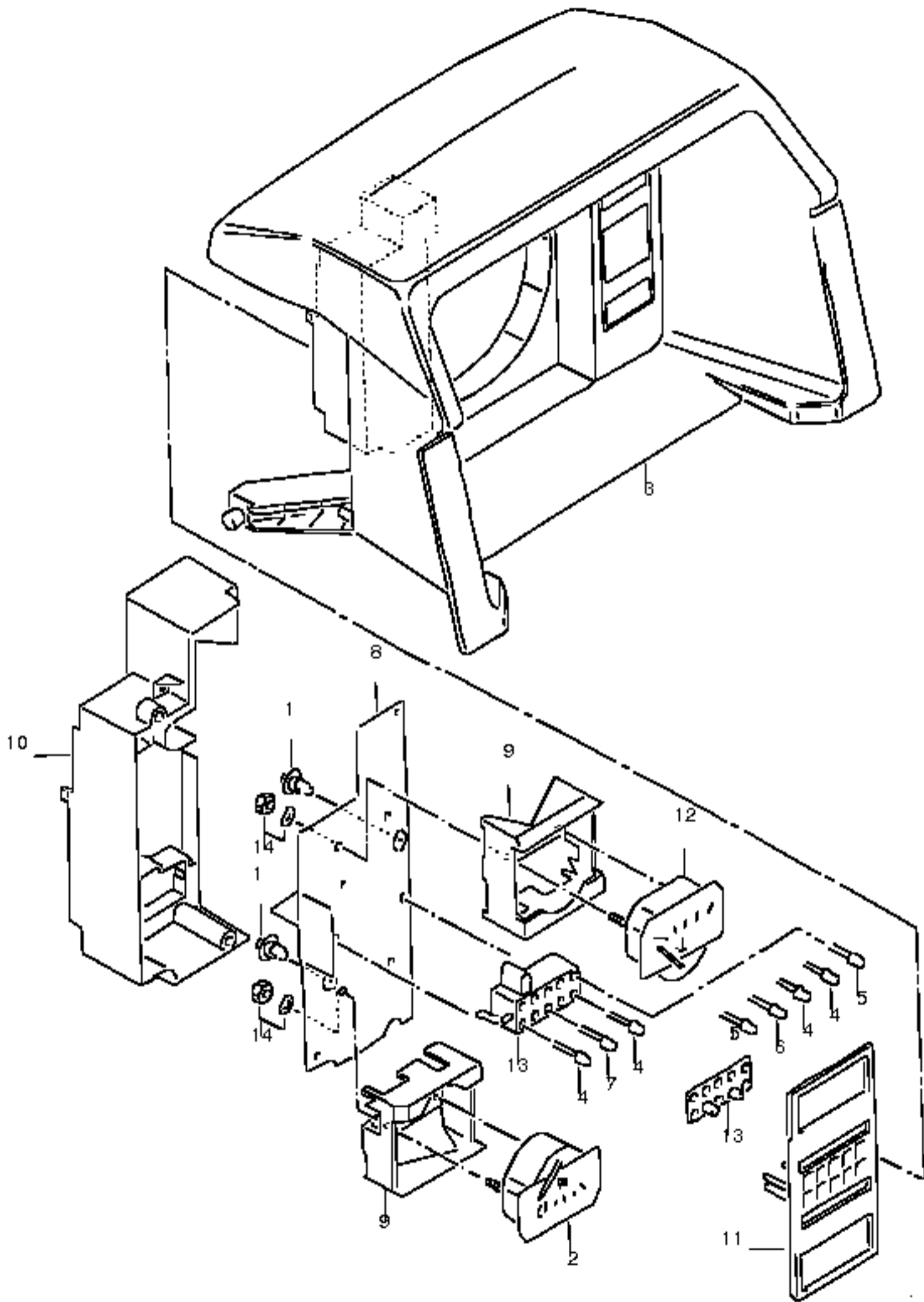
retainer for ignition cables

16 036035281A

connector (screened) for ignition leads

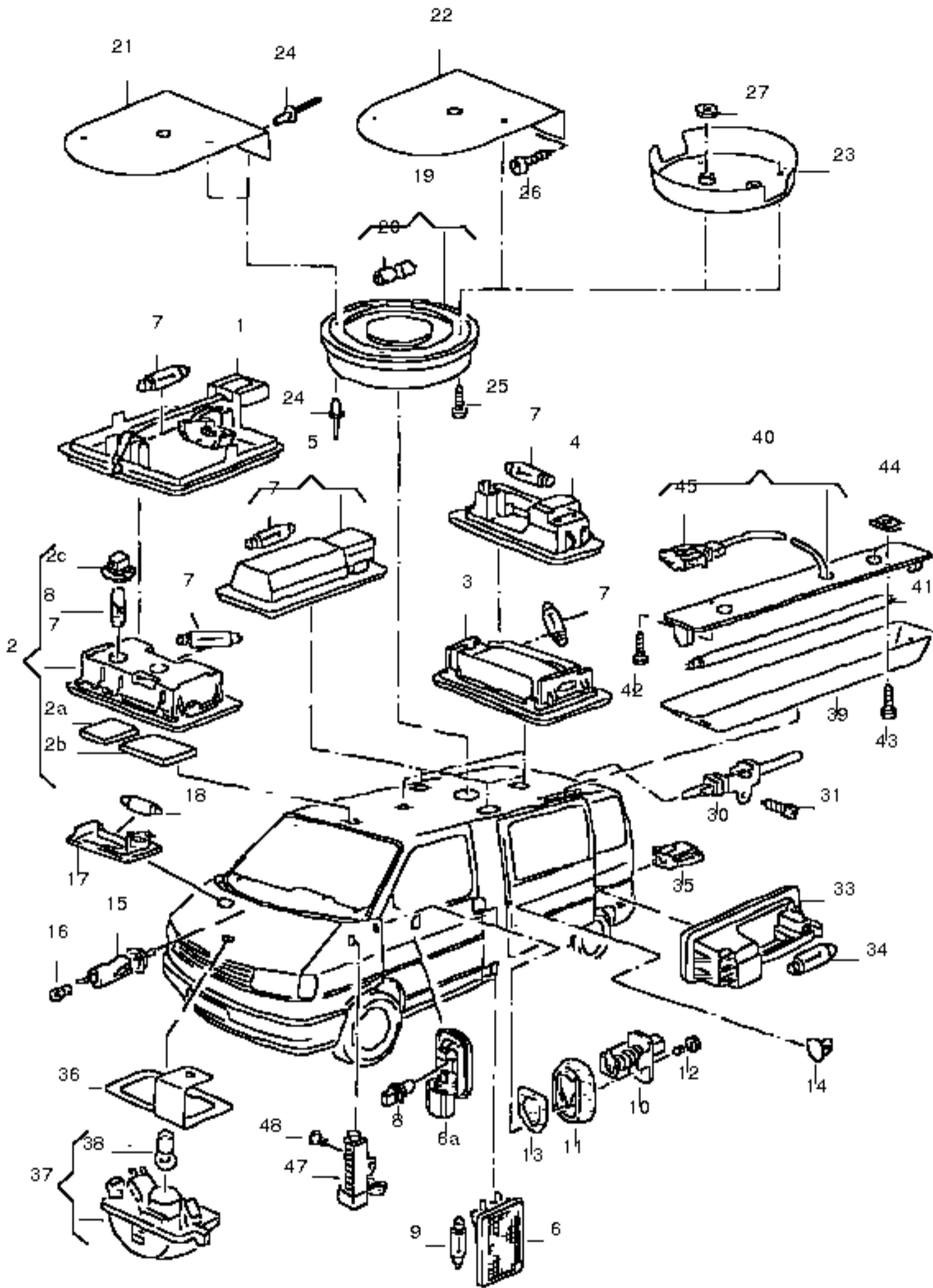
17 032035255

spark plug connector



instrument housing and components
for vehicles with tachograph

- 1 701919040
bulb with black base / 12V1,2W
/ green
for dashboard lighting
- 2 701919045
fuel gauge
- 3 701919053
instrument housing for tachograph
use if required: / 357 957 087
701919053 J51 lagoon
701919053 E91 mistral (grey)
- 357957087
blind cover / 47,8X28
357957087 01C satin black
- 4 357919061
light emitting diode / red
- 5 357919061A
light emitting diode / green
- 6 867919061
light emitting diode / yellow
- 7 357919062
bulb with blue cap
- (8) 701919064F
printed circuit / AAC
- (8) 701919064G
printed circuit / ACU,ACV,AEN
- (8) 701919064H
printed circuit / AAB,ABL
- (8) 7D0919064
printed circuit / AES
- 9 701919067
fibre optic conductor
- 10 701919075
basic plate
- (11) 701919219B
trim with opening for fuel gauge and temperature gauge
- 12 701919511
temperature gauge / AAC,ACU,AEN
- (12) 701919511A
temperature gauge / AAB,ABL,ACV
- 13 701998081
retaining plate for light emitting diode (led)
- 14 861998089
1 set: mounting parts for temperature gauge and fuel gauge



interior light
 glove box light
 load compartment light
 luggage compartment light
 engine compartment light
 transistorized light
 switch
 for hand brake control system
 interior light

1 191947111B

interior light

2 357947105B

interior and reading light with delayed switch-off
 357947105B 01C satin black
 357947105B Y20 pearl grey
 357947105B 8YS light beige

(2) 1H0947105

interior and reading light with delayed switch-off
 for vehicles with glass sliding roof
 1H0947105 H50 blue grey
 1H0947105 8YS light beige

3 357947105

interior light
 357947105 Y20 pearl grey
 357947105 5YX beige

3 357947111

interior light
 357947111 01C satin black

4 191947111C

interior light
 for high roof
 headlining (hardboard)

5 443947105C

interior light
 for passenger compartement
 load compartment light
 443947105C 4YX grey
 443947105C 5YX beige
 443947105C 01C satin black

(6) 171947311

light / CAMPMOBILE,
 step / ALLSTAR

6 331947113

light
 (sliding door, left)

6A 1H0947291

light
 1H0947291 01C satin black
 1H0947291 Y20 pearl grey

7 N 0177232

bulb / K12V10W

8 1H0947297

bulb holder with bulb / W5W12V5W

(9) N 0177262

bulb / M12V3W / CAMPMOBILE,
 / ALLSTAR

9 N 0177252

bulb / L12V5W

10 7D0947563

switch
 for door contact
 step

11 113947565A

gasket
 for door contact

12 N 90094901

fillister hd. bolt / CM3,5X13

(13) 191805491

plug for door contact switch opening

14 701947575

limit stop
 for sliding door

15 811947311

glove box light

16 N 0177172

bulb / HL12V4W

17 171947311

light
 for padded dashboard

18 N 0177262

bulb / M12V3W
 for padded dashboard

19 251947105A

interior light with switch

20 N 10032001

halogen bulb / YL12V20W

22 721947155A

bracket for roof inter. light

(23) 721947155

bracket for interior light
 headlining (hardboard)

24 N 0162011

cup rivet / AK4,8X14

25 N 01396626

oval head panel screw / 4,2X13STC

26 N 0139671

oval head panel screw / B4,2X19-C

27 803955637

sealing washer

30 721947563

switch
 for wing door

31 N 0139655

oval head panel screw / B4,2X9,5

luggage compartment light

33 191947111C

interior light

34 N 0177232

bulb / K12V10W

35 535959665

switch

engine compartment light

36 701947155

retainer

37 4A0947319

engine compartment light

38 N 0177192

bulb / G12V10W

transistorized light

(39) 701947125A

lens with switch / clear glass
 cover cap / left/right
 701947125A 9XK light grey

39 253947125

window / white

(39) 7D0947125

window
 only for: / 7D0 947 107 A

40 7D0947107A

transisteriz. lamp with switch
 also use: / N 014 093 3
 7D0947107A Y20 pearl grey

(40) 7D0947107C

transistorized light
 also use: / N 014 093 3
 7D0947107C 9UW sahara

- N 0140933

oval head panel screw / ST4,2X13-C

41 N 10078601

fluorescent tube / TL58V/8W

42 N 0139587

oval head panel screw / ST3,5X13-C

43 N 0139575

oval head panel screw / B3,5X9,5

44 N 0154931

snap nut / B3,5X13,5X10

45 191972712

flat connector housing / 2 pin

- 000097141

fuse 'order unit 10' / T1,6A/5X20

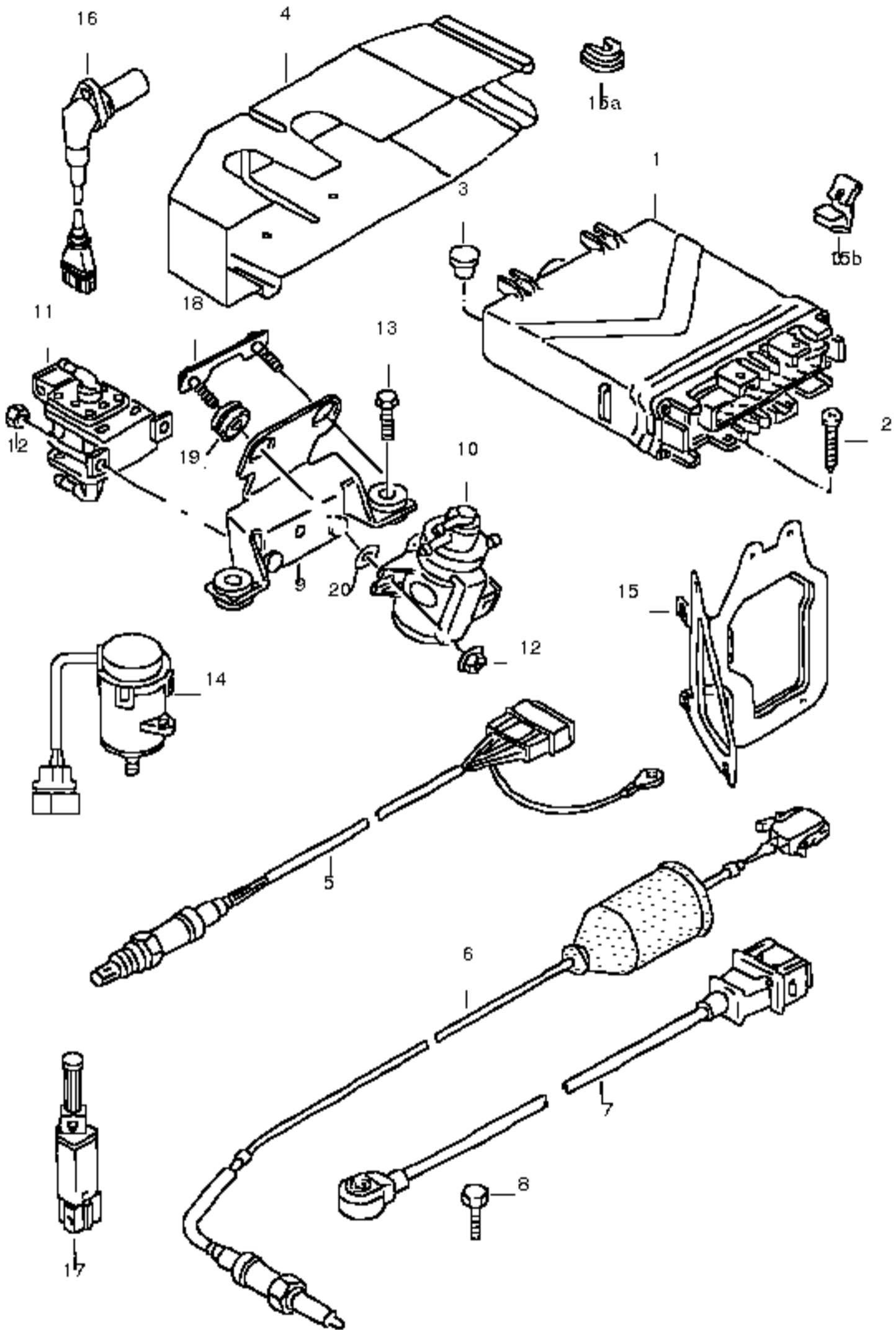
switch for hand brake control system

47 191947563B

switch

48 N 90478601

pop-rivet / A4,8X11



lambda probe with control unit / AAC,ACU,AEN,
/ ACV,AES

(1) 044906024E
engine control unit / 'DIGIFANT' / AAC

(1) 044906024D
engine control unit / 'DIGIFANT' / "RC.":AAC

(1) 023906024AE
engine control unit / 'DIGIFANT' / ACU

(1) 023997024 X
electronic control unit / 'DIGIFANT' / ACU
to be used for: / 023 906 024 AE

(1) 023906024AF
engine control unit / 'DIGIFANT' / automatic: / ACU

(1) 074906021L
control unit for diesel engine / 'EDC' / ACV

(1) 021906256H
engine control unit / 'MOTRONIC' / AES

(1) 021997256AX
engine control unit / 'MOTRONIC' / AES
to be used for: / 021 906 256 H

2 N 0139681
oval head panel screw / ST4,8X13-C

3 N 90149502
t-bolt / 5X10

(4) 701905399A
cover for control unit 'tci' and lambda probe

5 030906265AN
lambda probe / AAC,ACU

(5) 023906265D
lambda probe / AAC,ACU,AEN
for models without catalyst

(5) 021906265AK
lambda probe / AES
(in front of catalyst)

6 702906088A
temperature sensor / "J.."

(7) 021905377C
knock sensor with wiring harness / 260MM / AES
/ black

7 030905377
knock sensor with wiring harness / 300MM / ACU
/ black

(7) 037905377A
knock sensor with wiring harness / 340MM / ACU
/ brown

8 N 0102336
hexagonal head bolt / M8X28 / ACU

9 7D0906285
retainer / ACV

10 1H0906627
pressure converter / ACV

11 701906283
solenoid change-over valve / ACV

12 N 90106302
hexagon nut, shouldered / M6 / ACV

13 N 0159461
hexagon head panel screw / A6,5X19 / ACV
see illustration: / 721-55

15 701905135D
holder for electr. contr. unit / 'EDC' / ACV

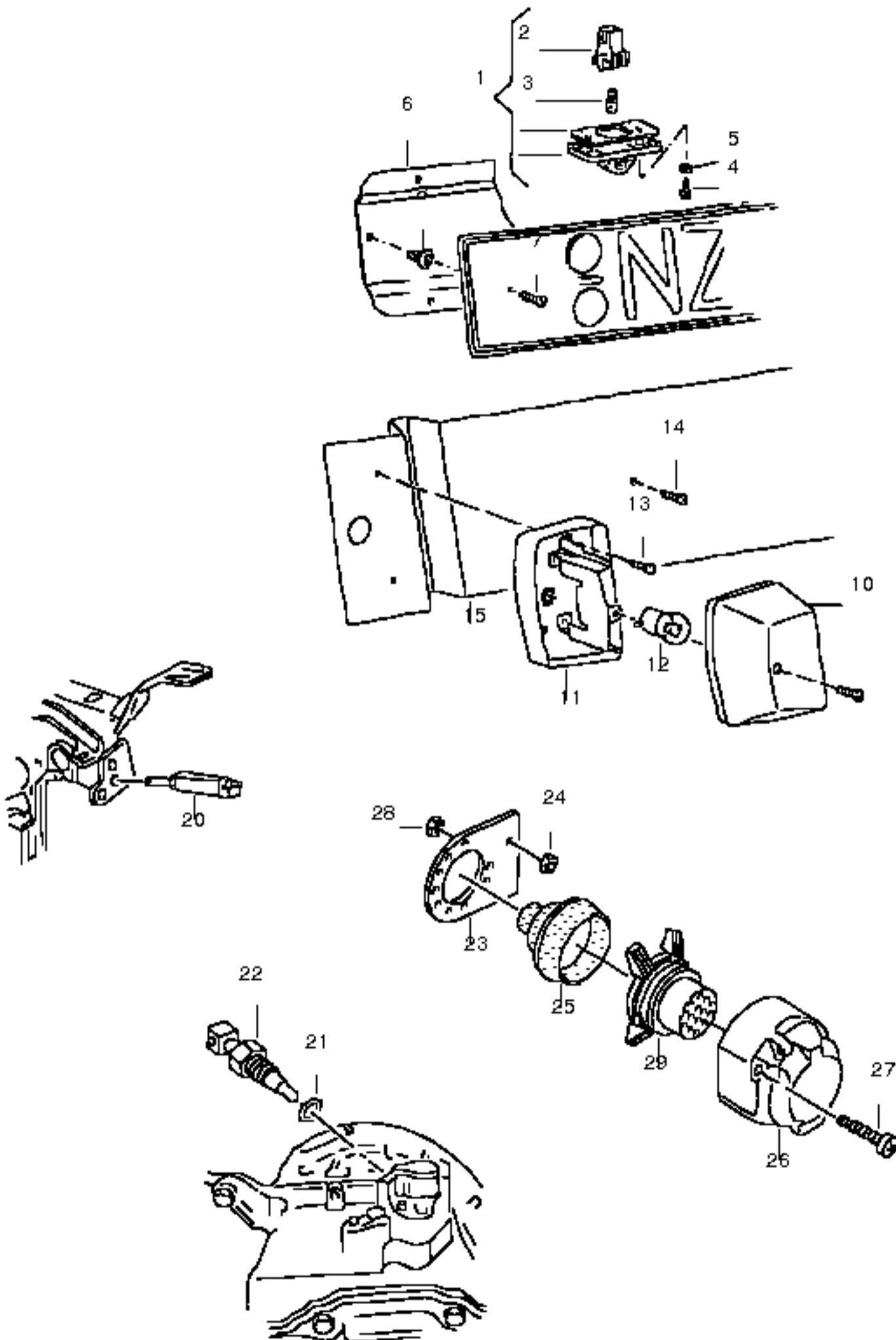
16 075906433C
impulse sender / ACV

(16) 021906433C
engine speed impulse sender / AES

(16) 021907601A
impulse sender / AES

17 1H0927189D
switch / ACV
pedal clutch

(17) 1H0927189C
switch / ACV
brake pedal



licence plate light
switch - brake light
switch for reversing light
electric socket
for trailer towing
licence plate light / kombi van
/ delivery van

1 701943021
licence plate light

2 701943167
socket for bulb

3 N 0177532
bulb / W5W-12V

4 N 0139612
oval head panel screw / ST3,9X13-F

5 411945279
washer

6 705943199
licence plate bracket

7 N 0139755
oval head panel screw / ST4,8X19

8 357868143
insert nut / 8MM

licence plate light / pick-up

10 283943111A
housing with lens

11 283943117
bulb holder

12 N 0177192
bulb / G12V10W

13 N 0139605
oval head panel screw / B3,9X9,5

14 N 0139755
oval head panel screw / ST4,8X19

15 707943199
bracket for plate light / 750X120MM
for models with towing facility
switch - brake light

20 191945515B
switch - brake light
switch for reversing light

21 020301244
seal

22 020945415A
switch for reversing light / 2 pin
/ M12X1,5

electric socket
for trailer towing

23 357945509
retainer

24 N 90215802
hexagonal nut / M6SB

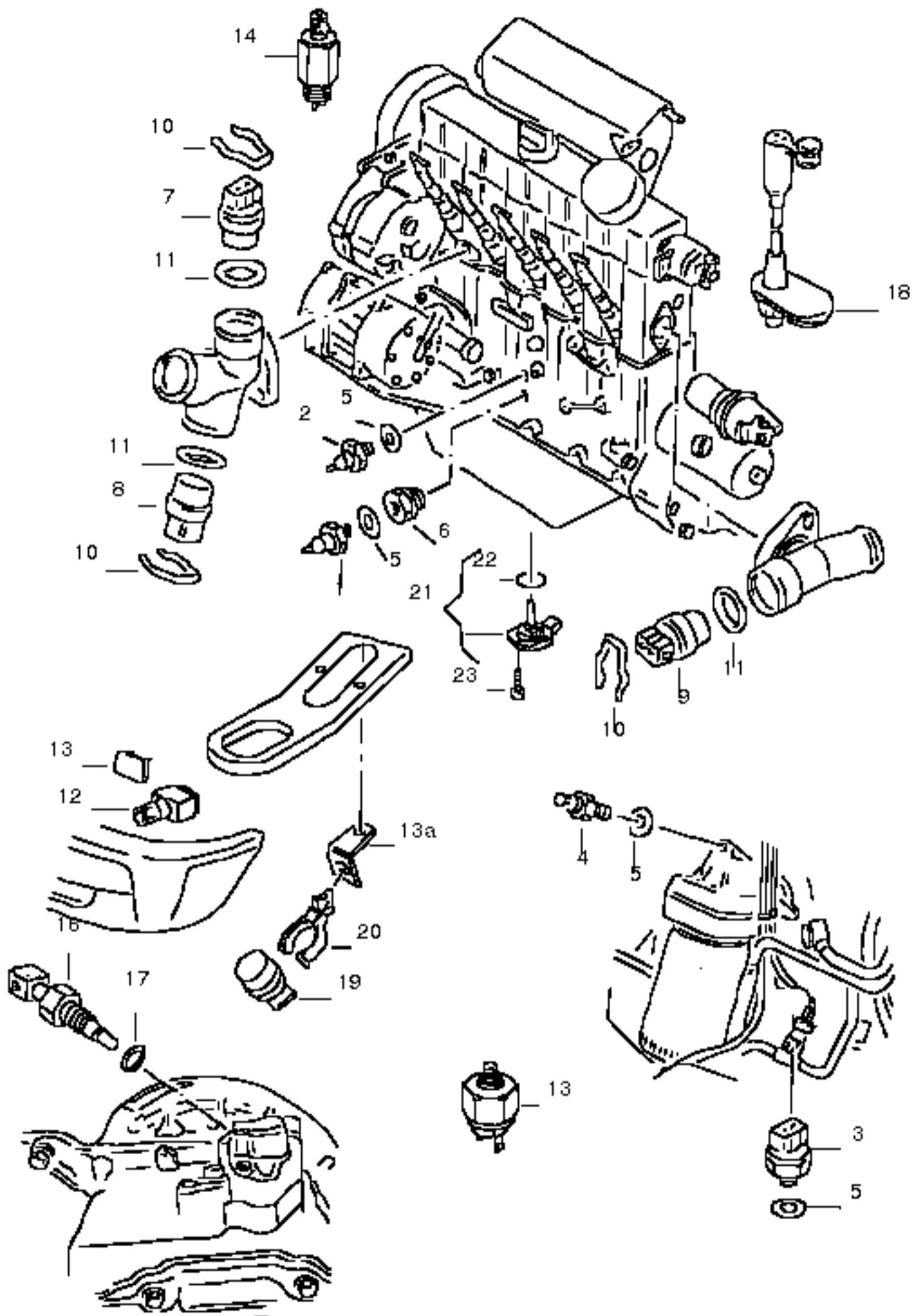
25 8A0945527
grommet

26 1H0945505A
housing for trailer towing socket / 13 pin

27 N 0441352
fillister hd. bolt / M5X35

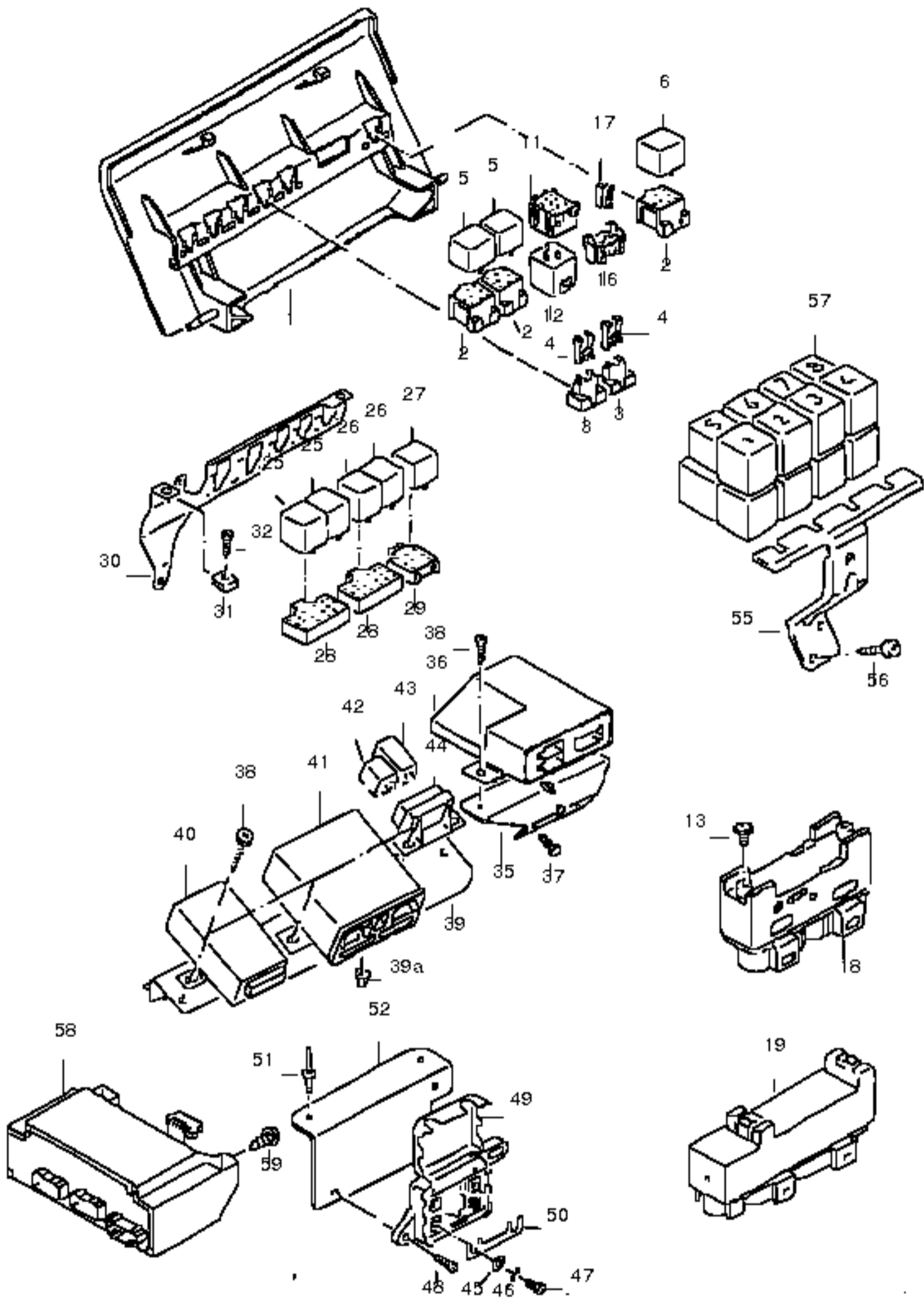
28 N 0111821
hexagon nut, self-locking / M5

29 7M0971946
rd. connector sleeve housing / 13 pin
wiring harness for trailer socket



outer temperature sensor
switches and senders on engine and gearbox / 5-cylinder

- (1) 028919081D
oil pressure switch / 0,25BAR M10X1
/ 1 pin
/ blue
- 2 068919081A
oil pressure switch / 0,9BAR M10X1 / AAB,ACV
/ 1 pin
/ grey
- (2) 068919081
oil pressure switch / 1,4BAR M10X1
/ 1 pin
/ black
- (2) 056919081E
oil pressure switch / 1,8BAR M10X1 / ACU,AEN
/ 1 pin
/ white
- 4 049919563A
oil temperature gauge sender / 0-180C M10X1 / ACU,AEN
for vehicles with multi function indicator / 1 pin
/ white
- 5 N 0138115
seal / A10X13,5
- 6 034103179
adapter
- (7) 025906041A
temperature sensor / 2 pin / ACU,ACV,AEN
for: / blue
electronic control unit / 20MM
- (7) 251919501D
temperature sender / 2 pin / AAB
for glow plug relay / green/black
/ 20MM
- (8) 251919501D
temperature sender / 2 pin / AAB
for coolant temperature gauge / green/black
/ 20MM
- (8) 701919369C
temperature sender with switch / -- + 93/88C
for coolant temperature gauge / 4 pin
/ blue/white
and/or / 20MM
additional water pump
- (8) 701919369D
temperature sender with switch / -- + 100/95C / ACV
for coolant temperature gauge / 4 pin
/ black/blue
and/or / 20MM
for models with radiator fan run-on
- (8) 701919369E
thermal switch / 105/112C 20MM
for switching off air conditioner / 106/102C
/ 4 pin
and/or / green
electric fan / 3 stages
- 9 251919369B
thermal switch / 55/65C 20MM
for models with supplementary heater / 2 pin
/ red
and/or
for vehicles with auxiliary heater
- 10 032121142
retaining spring
- 11 N 90316802
round seal / 19,6X3,6
- (12) 357919379
outer temperature sensor / -25/+40C / camp- mobile
/ 2 pin
/ black
- (12) 357919379A
outer temperature sensor / -40/+40C
/ 2 pin
/ grey
- 20 6K0971847A
retainer
- (13A) 7D0919399A
retainer
- 16 020945415A
switch for reversing light / 2 pin
/ M12X1,5
- 17 020301244
seal / A12X20
- 19 701959625
thermal switch / 5/10 20MM
for models with supplementary heater / 2 pin
/ SCHWARZ/BLAU



relays and control units

fuse box
 relay
 relay plate

1 701972567

battery cover with relay plate bracket

2 161937501B

relay plate / 9 pin

3 1H0937530

fuse box for flat fuses / 2 pin

4 N 01713111

flat fuse 19/2x5 / 10-red

(4) N 01713115

flat fuse 19/2x5 / 30-light green

5 141951253B

relay

6 8D0951253A

relay / 35A

for 2. battery

(6) 251937503

relay / diesel eng.

for additional heater

relay

rear fog light

for models with towing facility

11 161937501B

relay plate / 9 pin

12 701945383

relay

rear fog light

for models with towing facility

16 357937517

junction box / 4 point

17 701906231

flat contact housing / 2.8MM

relay

electric fan control unit

18 701919506

electric fan control unit / 40A/50A

19 701919506A

electric fan control unit / 50A/30A/25A / air condit.:

/ AAC,ACU,AAB

13 N 90472301

fillister head bolt (combi.) / M6X9-Z2

windows lifters control unit

for models with cruise control system

for additional heater

=====

control unit for additional heater / B3L/D3L

see illustration: / 261-32/POS.17

=====

no replacement part

(37) N 01021226

hexagonal head bolt / M6X12

38 N 0139705

oval head panel screw / B4,8X9,5

(39) 701937221B

retainer / lhd

for additional heater

(39) 702937221A

retainer / rhd

for additional heater

(39A) 171201969

hexagon nut, shouldered / 5

40 443907305A

speed regulator

42 431951253F

contact close relay

additional heater

43 171959141A

relay

additional heater

44 251937501C

relay plate / 18 pin

fuse box / AAB,AAF

N 0171251

fuse / B50

45 N 0115562

washer / 5,3X9,5X1

46 N 0120053

spring ring / B5

47 N 01412811

fillister hd. bolt / M5X8

48 N 01396626

oval head panel screw / 4,2X13STC

49 281937505A

fuse box without fuses

50 N 0171251

fuse / B50

(50) N 0171252

fuse / B30

51 N 0161943

pop-rivet / A4,8X7,6

52 7D0937503

retainer

fuse box

(52) 7D0937497

retainer / anti-locking brake system

fuse box

abs unit

relay

additional relay plate

bracket for relay / 4 point

no replacement part

56 N 0139755

oval head panel screw / ST4,8X19

57 141951253B

relay

for vehicles with rear view mirror electrically operated and heated

relay location: / 1

(57) 141951253B

relay

heater element-seat

relay location: / 1

(57) 431951253F

contact close relay

for vehicles with 2nd heat exchanger

relay location: / 2

(57) 701959141A

relay

for vehicles with 2nd evaporator

relay location: / 2

(57) 141951253B

relay

for vehicles with 2nd heat exchanger

relay location: / 2

(57) 701963281

impulse sender

for vehicles with 2nd heat exchanger

relay location: / 3

(57) 3A0927181

relay - starter

4 speed automatic gearbox

relay location/code no.: / 4/175

(57) 281941587

relay for rotat.emerg.light / 12V

relay location: / 5

(57) 191927841

relay / ambulance

roof ventilador

relay location: / 5

(57) 141951253B

relay / "AUS"

for cigarette lighter

relay location: / 6

(57) 191906086

relay for temperature sensor / "J.."

relay location/code no.: / 6/41

(57) 3A0951307

buzzer / ambulance

relay location: / 7

(57) 141951253B

relay

fresh air controls

for passenger compartement

relay location: / 7+8

(57) 431951253F

contact close relay / ambulance

switch of relay / 220V

relay location: / 8

control unit for air condit.

for vehicles with electronically regulated air condit.

58 7D0907044

control unit for air condit.

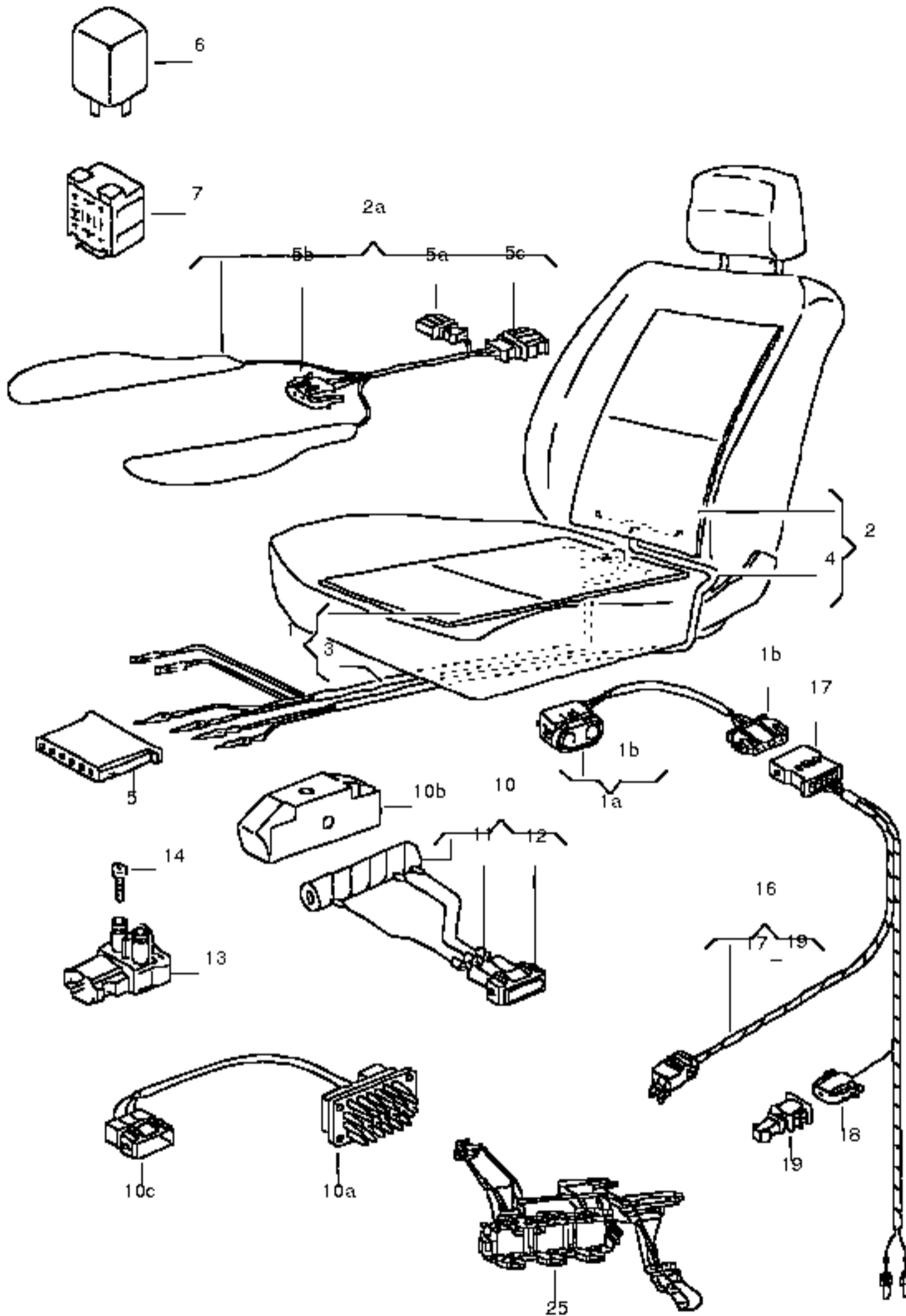
for vehicles with electronically regulated air condit.

display and operating unit

see illustration: / 941-86/POS.6

59 N 90448401

fillister hd. bolt / M4X15



seat and backrest, heated

blower control
series resistor
additional heat exchanger
switch for additional heater

1 161963555A
heater element-seat

2 535963557
backrest heater element

- N 0180074
insulating hose in coils of 5m 'order unit 5' / W7X0,6

shorten to: / 670MM
shorten to: / 970MM

(5) 191972733
flat terminal pin housing / 6 pin

10 701963095
series resistor
additional heat exchanger

- 321971280
bracket for resistance

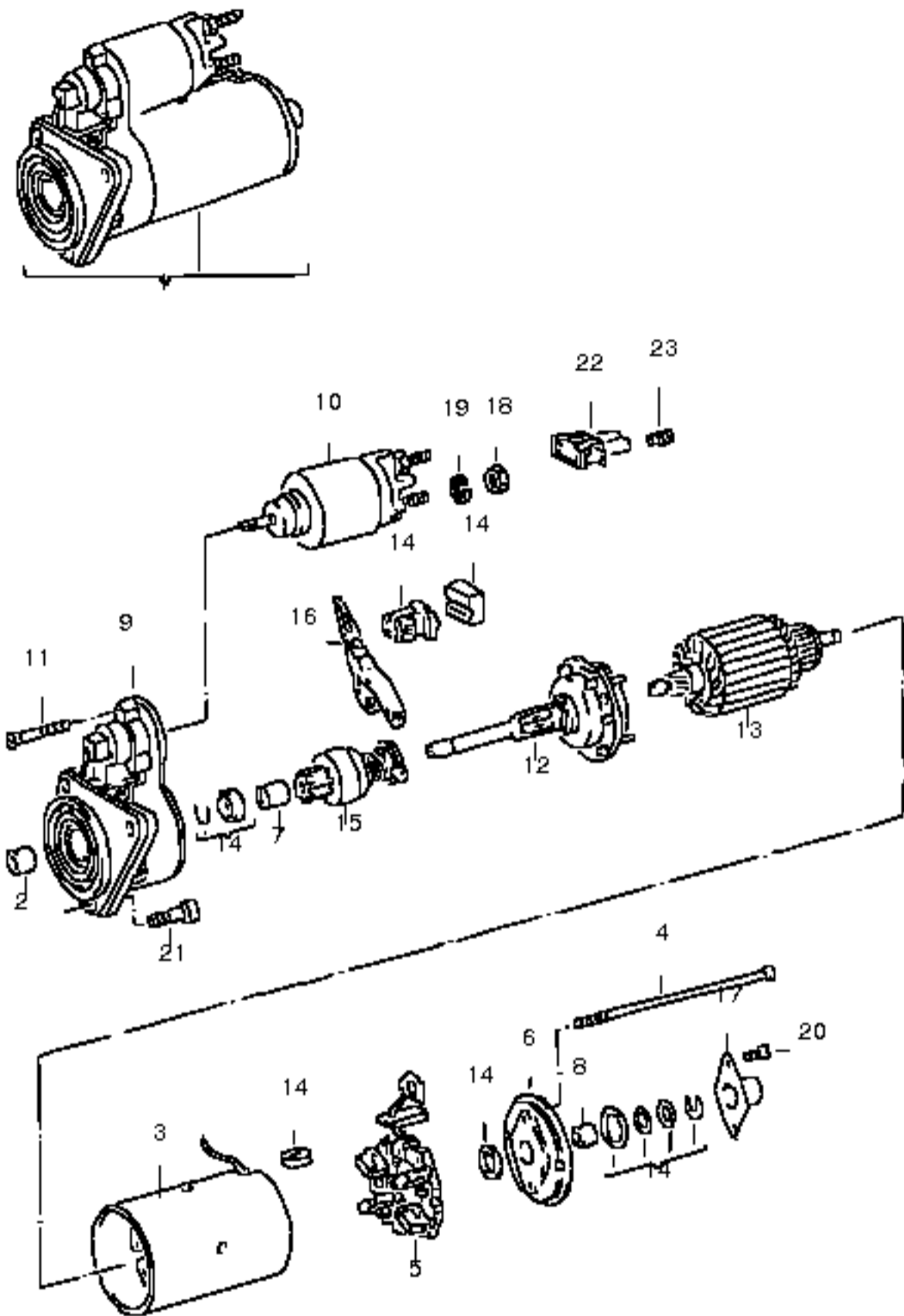
- 701907521
blower control
for vehicles with electronically regulated air condit.
for vehicles with 2nd evaporator

11 357972742B
single wiring seal / 9,0X7,8
/ red
for wire cross section: / 2,5

12 357972783
flat connector housing / 3 pin

13 701963119
switch for additional heater
fresh air and heater controls

14 N 0139575
oval head panel screw / B3,5X9,5



starter and single parts

for starter: / 1,3,4

1 02B911023F

starter

(1) 02B911023FX

starter

(1) 02B911023BX

starter

(1) 020911023P

starter

(1) 068911023TX

starter

(1) 020911023F

starter

(1) 020911023NX

starter

2 014301155

bearing bush

for starter: / 1,3

(2) 113301155

bush

for starter: / 4

3 02B911115

field coil

for starter: / 1,4

(3) -----

no longer available

for starter: / 3

4 311911145A

cheese head bolt

for starter: / 1,4

(5) 02B911209

brush holder plate

for starter: / 1,4

5 020911209

brush holder plate

for starter: / 3

6 02A911211

commutator bearing housing

for starter: / 1,4

(6) 068911211A

commutator bearing housing

for starter: / 3

7 02B911213

bearing bush

for starter: / 1,3,4

8 035911213B

bearing bush

9 -----

no longer available

for starter: / 1

(9) 020911255

starter drive housing

for starter: / 4

(9) 020911255A

starter drive housing

for starter: / 3

(9) 02B998023D

repair kit for starter

for starter: / 2

10 085911287

solenoid switch

for starter: / 1,3

also use:

for starter: / 1

/ 357 972 771

/ 357 972 742 C

/ N 904 220 02

(10) 026911287

solenoid switch

for starter: / 4

11 035911299B

torx socket head bolt / M5X33

12 02B911303A

planetary gear

for starter: / 1

(12) 020911303

planetary gear

for starter: / 4

(12) 068911303B

1 set: planetary gears with pinion gear

for starter: / 3

(13) 053911311

armature

for starter: / 1,4

13 068911311H

armature

for starter: / 3

14 035911320A

repair kit for starter

15 02B911335A

freewheel unit

for starter: / 1

(15) 020911335A

freewheel unit

for starter: / 4

(15) 02B998023D

repair kit for starter

for starter: / 2

16 085911365

engaging lever

17 020911495

cap

18 N 01111816

hexagonal nut / BM8

19 N 0120387

spring ring / 8

20 N 0141228

fillister hd. bolt / M4X8

21 N 90342402

allen key head bolt (combi) / M8X32

(21) N 0147296

allen key head bolt / M10X45 / automatic

22 357972771

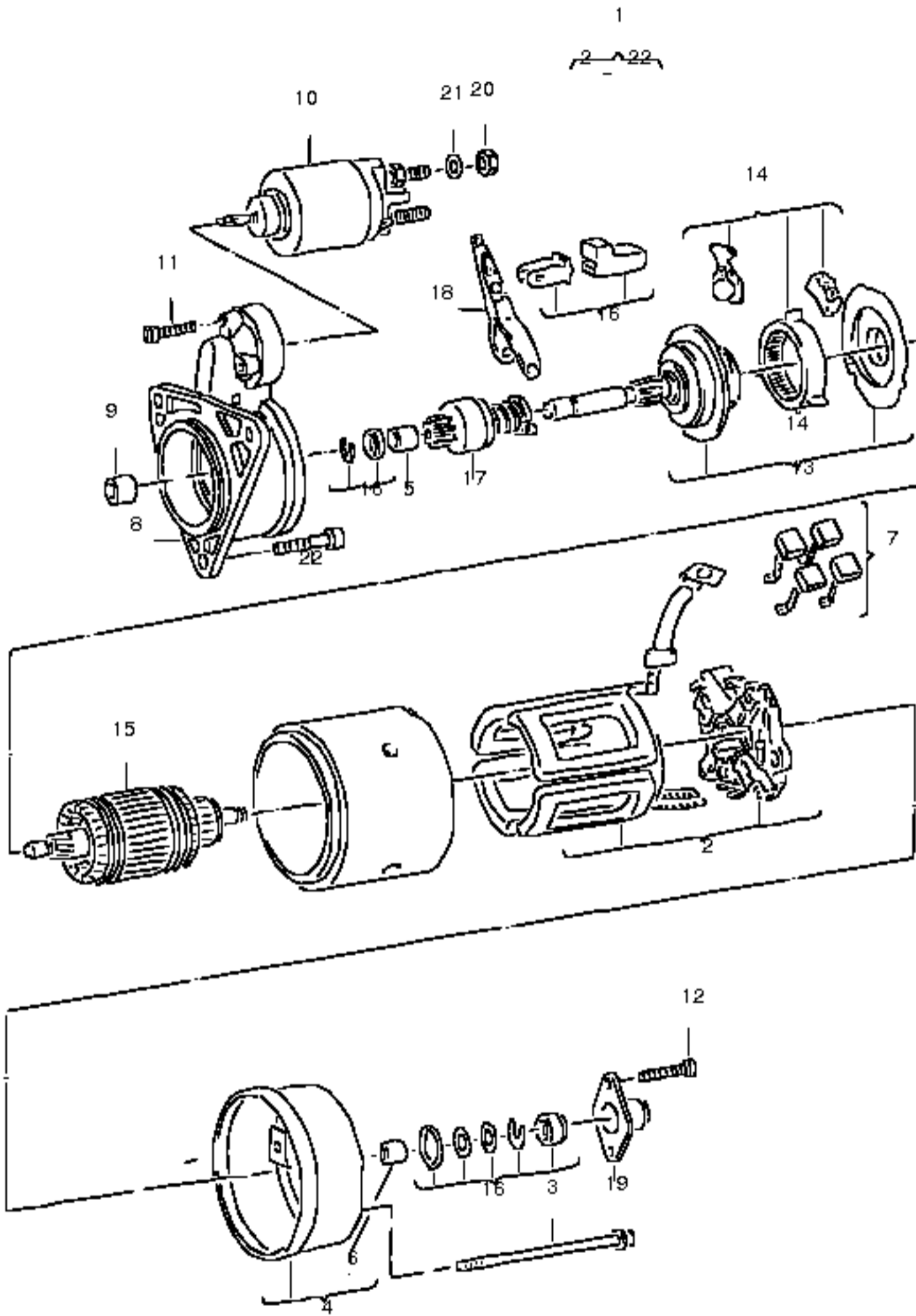
flat contact housing / 1 pin

23 357972742C

single wiring seal / 9,0X7,8

/ green

for wire cross section: / 4,0



starter and single parts

for starter: / 2

1 02B911023D

starter

(1) 02B911023DX

starter

(2) 020911209

brush holder plate

4 068911211A

commutator bearing housing

6 035911213B

bearing bush

10 085911287

solenoid switch

11 035911299B

torx socket head bolt / M5X33

12 -----

no longer available

19 020911495

cap

20 N 01111816

hexagonal nut / BM8

21 N 0122293

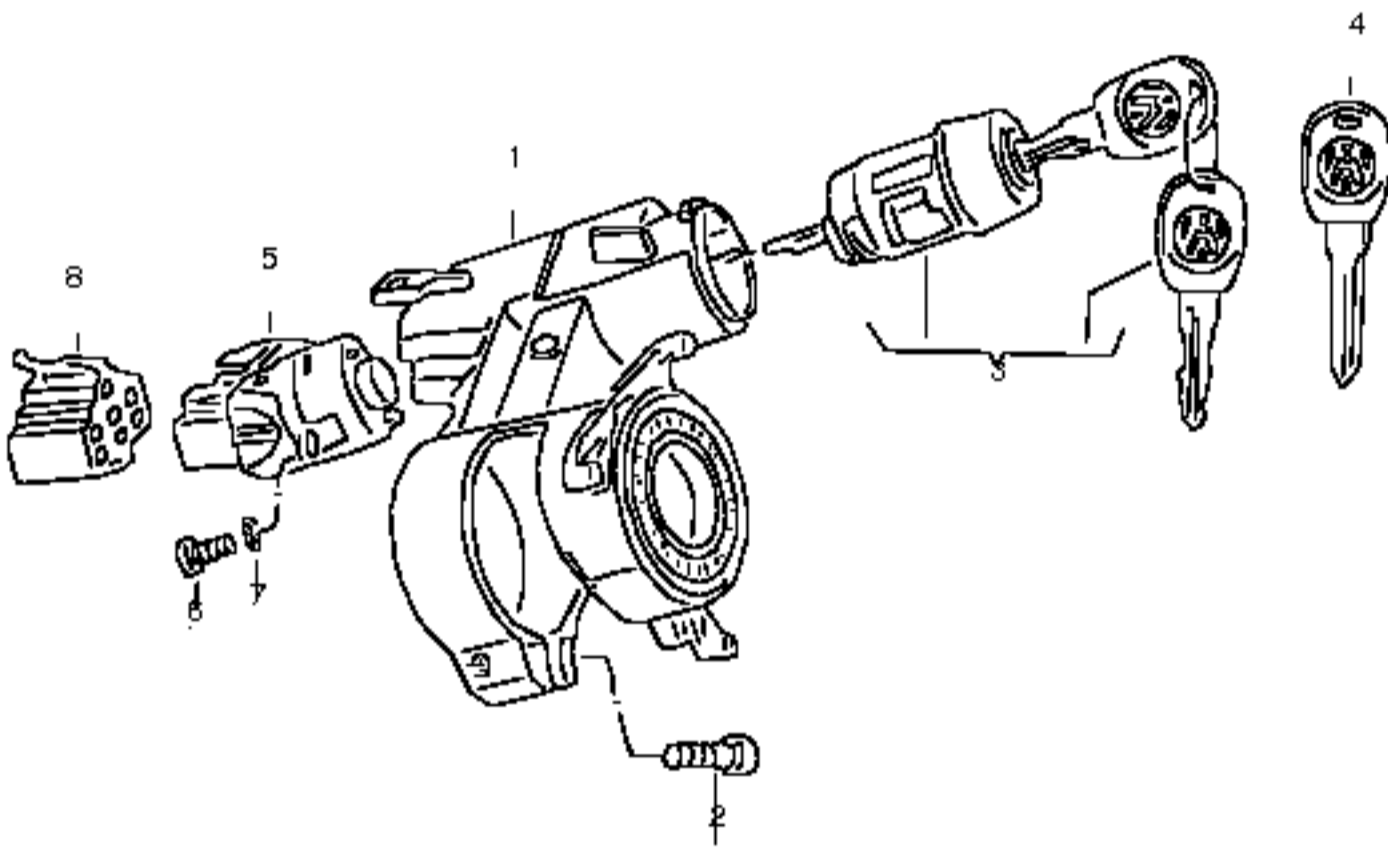
spring washer / A8X15X0,5

22 N 90342402

allen key head bolt (combi) / M8X32

(22) N 0147296

allen key head bolt / M10X45 / automatic



steering lock
ignition/starter switch

1 701905851
steering lock without ignition starter switch

(1) 701905851A
steering lock with key lock system / automatic

2 N 0147392
allen key head bolt / M8X16

3 357905855B
lock cylinder for ignition starter switch

(3) 3B0905855
lock cylinder for ignition starter switch

immobilizer

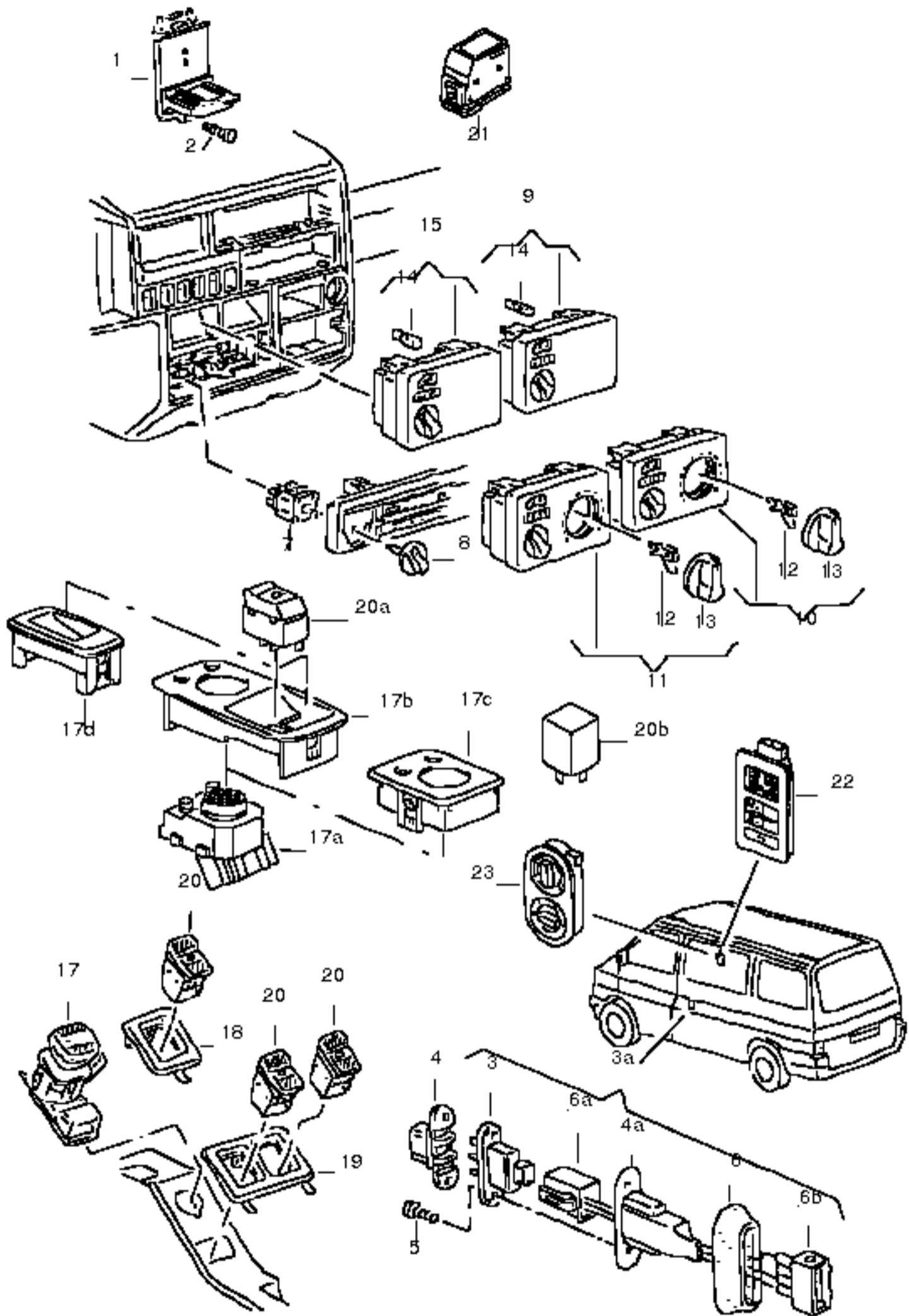
(3) 3B0905855A
lock cylinder for ignition starter switch
immobilizer
for vehicles with infrared locking system
see illustration: / 837-00

5 6N0905865
ignition/starter switch

6 N 0441155
round hd. screw / M3X6

7 N 0120032
spring ring / B3

8 357953631
flat contact housing / 7 pin



switch for blower motor
 series resistor
 contacts
 for central locking system
 switch for rear view mirror electrically operated
 switch for electric windows
 switch and control unit for electric sliding roof operation

1 701959263
 series resistance for fresh air and hot air blower / 1,7/0,8/0,4
 and passenger comp. ventilation

(1) 701959263A
 series resistance for fresh air and hot air blower / 1,9/0,92/0,26
 for vehicles with manually regulated air conditioner

(1) 7D1959263
 series resistor
 for vehicles with additional heat exch.

2 N 90130801
 fillister hd. bolt / E4,2X16

3 701959375E
 contacts

3A -----
 no longer available

4 701959377
 contact plate
 for vehicles with sliding door
 central locking system

4A 701959379
 grommet

5 N 0139575
 oval head panel screw / B3,5X9,5

6 701962111
 gasket

6A 1J0972924
 flat contact housing / 3 pin

(6B) 357972754
 flat contact housing / 4 pin
 switch for rear view mirror electrically operated
 and for electric window regulators

17A 535959565
 switch for rear view mirror electrically operated
 535959565 01C satin black

17B 701959550
 switch bracket
 701959550 01C satin black

17C 701959550A
 switch bracket
 701959550A 01C satin black

17D 701959550B
 switch bracket
 701959550B 01C satin black

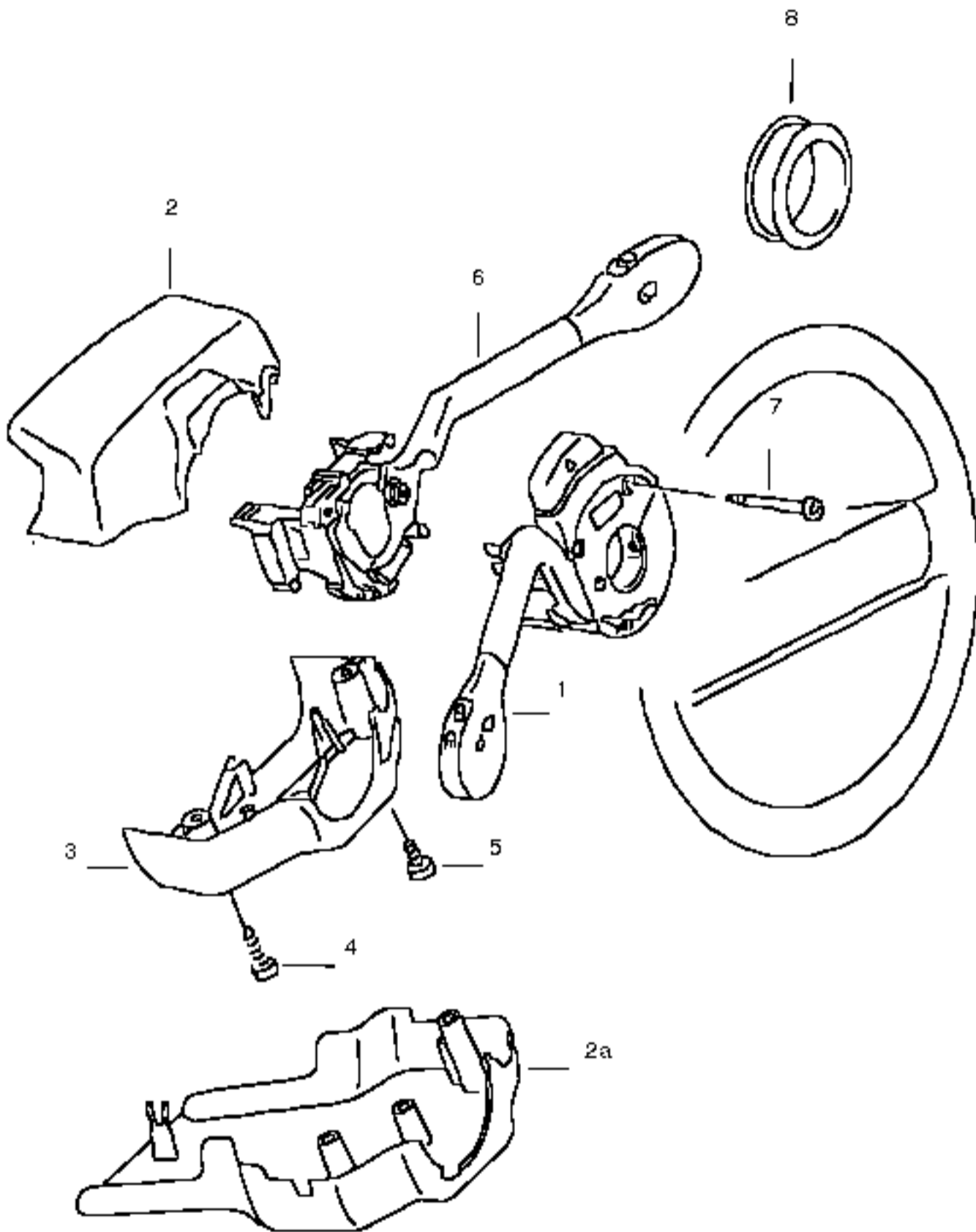
20A 701959855
 switch for electric windows
 701959855 01C satin black

switch and control unit for electric sliding roof operation

- 701959257
 control unit for electric sliding roof operation

(21) 7M0959728
 switch
 for pop-up roof
 drivers cab
 7M0959728 Y20 pearl grey

(21) 1H0959728
 switch
 glass sliding roof
 (passenger compartment)
 1H0959728 H50 grey blue
 1H0959728 5YX beige



switch for turn signals, main and dip beams, headlight flasher,
wipers and wash-wipe operation

(1) 7D0953513

switch for turn signals, main and dip beam, headlight flasher
and parking light

7D0953513 01C satin black

(1) 7D0953513A

switch for turn signals, main and dip beam, headlight flasher
and parking light

for models with cruise control system

7D0953513A 01C satin black

2 7D1953515A

trim, upper part

7D1953515A 01C satin black

2A 7D1858559B

trim, lower part

7D1858559B 01C satin black

4 N 90349401

oval head panel screw / E3,9X16

5 N 0141228

fillister hd. bolt / M4X8

6 7D0953519

switch for wipers/wash-wipe operation

7D0953519 01C satin black

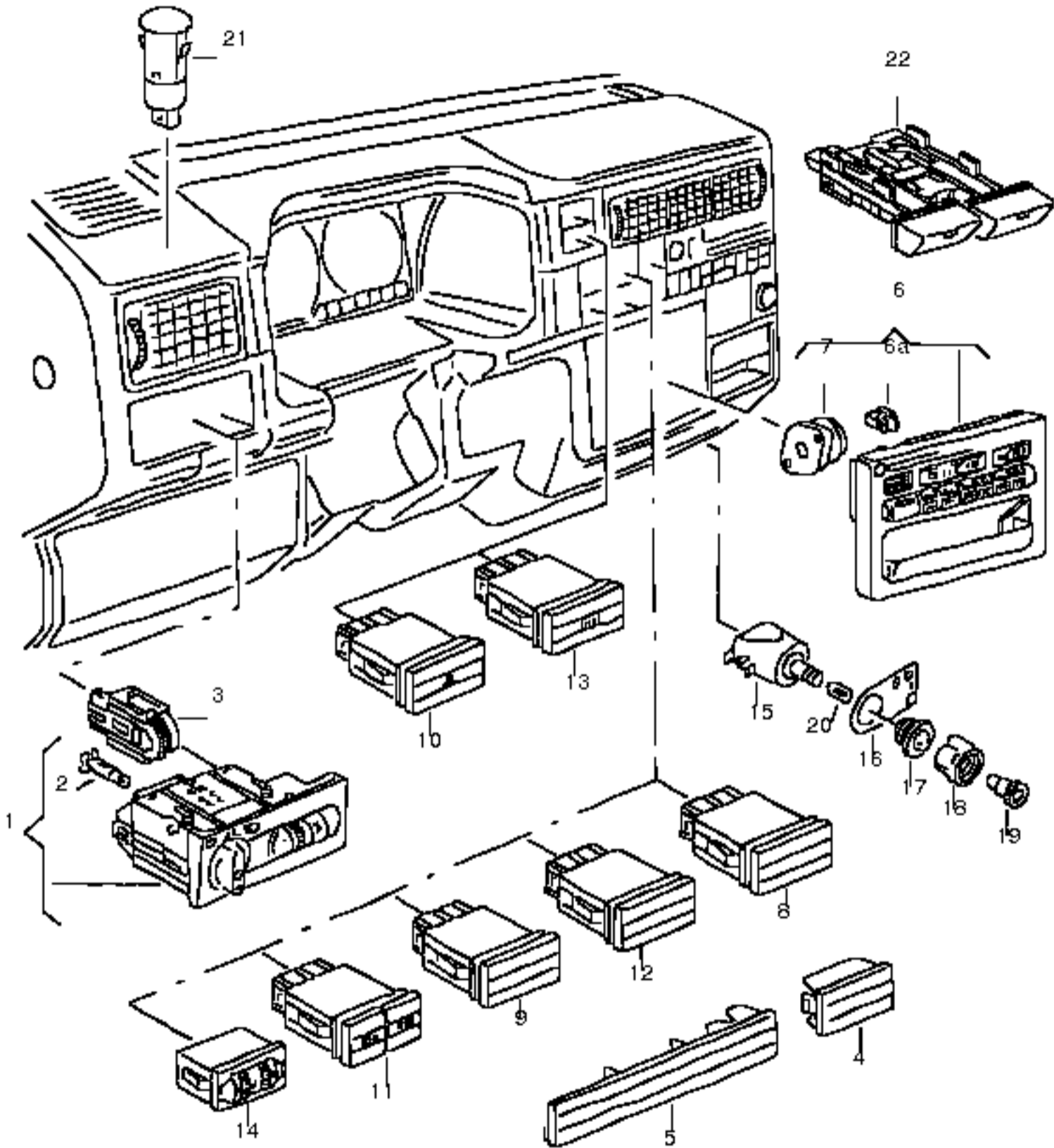
(6) 7D0953519A

switch for windshield wiper, wipers and washer and
multi function indicator operation with memory button

7D0953519A 01C satin black

7 321953573

fillister hd. bolt



switches in dashboard

1 701941532E

multiple switch for side lights, headlights and rear fog light
/ lhd
for vehicles with electric beam range adjustment

(1) 701941532F

multiple switch for side lights, headlights, front and rear fog lights
/ lhd
for vehicles with electric beam range adjustment

(1) 701941532G

multiple switch for side lights, headlights and rear fog light
/ lhd / "S.", "SF.",
/ "N.", "DK."
for models with day driving headlights
for vehicles with electric beam range adjustment

(1) 701941532H

multiple switch for side lights, headlights, front and rear fog lights
/ lhd / "S.", "SF.",
/ "N.", "DK."
for models with day driving headlights
for vehicles with electric beam range adjustment

(1) 702941532B

multiple switch for side lights, headlights and rear fog light
/ rhd
for models with dim-dip headlights
for vehicles with electric beam range adjustment

(1) 702941532C

multiple switch for side lights, headlights, front and rear fog lights
/ rhd
for models with dim-dip headlights
for vehicles with electric beam range adjustment

(1) 701941531A

multiple switch for side lights, headlights and rear fog light
/ lhd
701941531A 01C satin black

(1) 701941531B

multiple switch for side lights, headlights, front and rear fog lights
/ lhd
701941531B 01C satin black

(1) 701941531C

multiple switch for side lights, headlights and rear fog light
/ lhd / "S.", "SF.",
/ "N.", "DK."
for models with day driving headlights
701941531C 01C satin black

(1) 701941531D

multiple switch for side lights, headlights, front and rear fog lights
/ lhd / "S.", "SF.",
/ "N.", "DK."
for models with day driving headlights
701941531D 01C satin black

(1) 702941531

multiple switch for side lights, headlights and rear fog light
/ rhd
for models with dim-dip headlights
702941531 01C satin black

(1) 702941531A

multiple switch for side lights, headlights, front and rear fog lights
/ rhd
for models with dim-dip headlights
702941531A 01C satin black

2 701919243

bulb holder with bulb

3 703941333

switch for headlight range control / lhd

(3) 703941333A

switch for headlight range control / rhd

4 3A0858179

blind cover / 28X46,5

3A0858179 01C satin black

5 3A0858180A

blind cover / 28X141,6

3A0858180A 01C satin black

6 7D0907047C

display and operating unit

for vehicles with electronically regulated air conditioning.

7D0907047C 01C satin black

6A 1H0919243

bulb holder with bulb

7 -----.

discontinued / replacement: / 7D0 907 047 C / air conditioning.

8 703941435

switch for rotating emergency light

703941435 01C satin black

9 703943327

switch for roof sign / red cross

703943327 01C satin black

(9) 703941530A

switch for roof sign / 'TAXI' / TAXI

703941530A 01C satin black

10 703953235

emergency light switch

703953235 01C satin black

11 703959511

switch

for fresh air duct to load and passenger compartment

703959511 01C satin black

12 703959561B

switch for inner light / ambulance

703959561B 01C satin black

13 3A0959621G

switch for heated rear window

3A0959621G 01C satin black

(13) 703959621

press button

for rear window glass heated

703959621 01C satin black

14 3A0963563

switch for seat heating

3A0963563 01C satin black

15 211951275A

alarm switch, push- pull, rotary

(15) 211951275C

alarm switch, push- pull, rotary / fire brigade

16 191951279

sticker for switch operation

17 111941515D

collar / M14X1

18 211951297

knob

19 211951299

window / orange

20 N 0177512

bulb / W5/1,2W12V1,2W

21 7D0907539A

sun sensor / air conditioning.

(22) 3A0959543

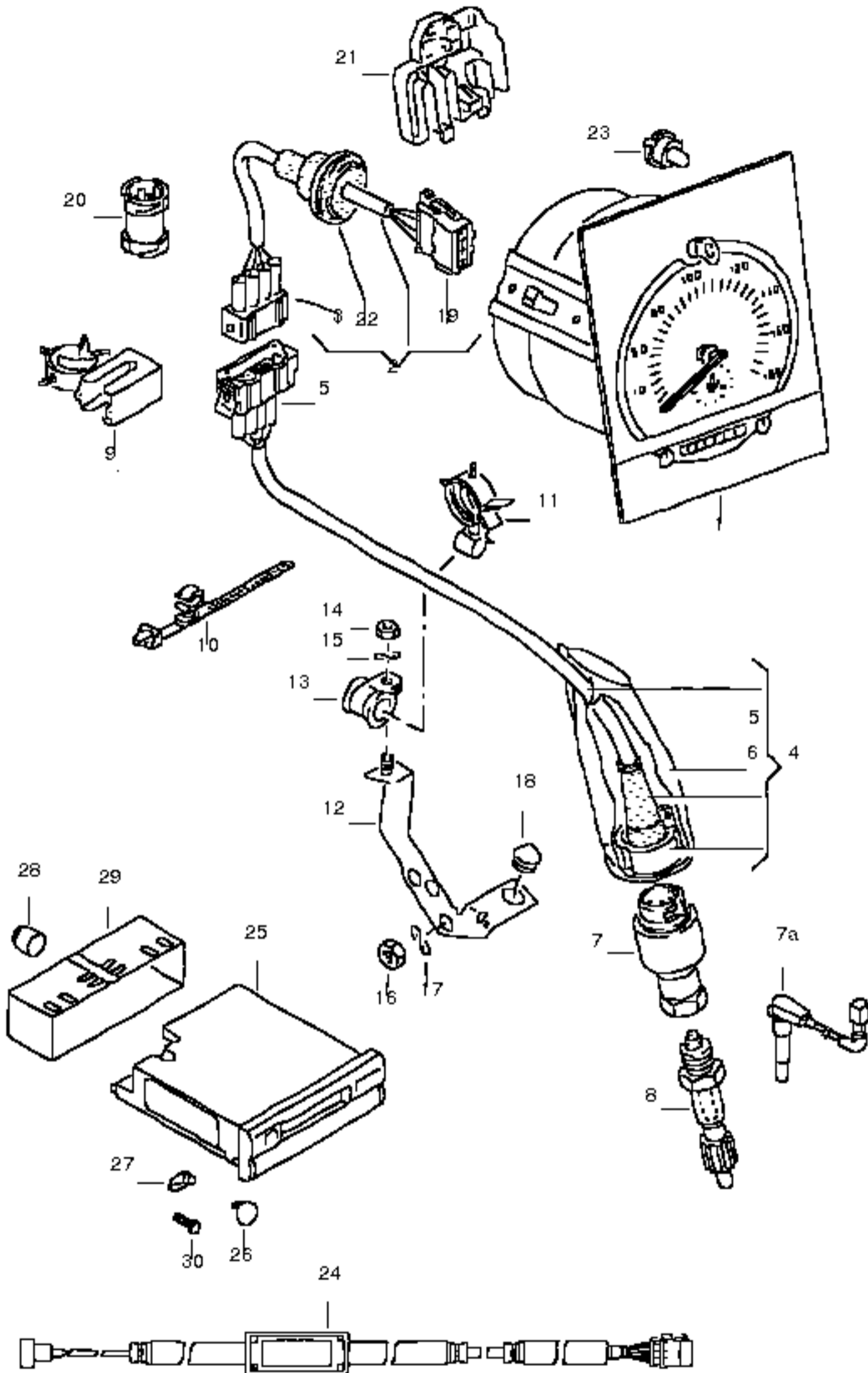
switch for air conditioner

3A0959543 01C satin black

(22) 7D0959511

switch for fresh or recirculated air selection

7D0959511 01C satin black



tachograph
 electronic
 trip recorder

(1) 7D0957039B
 tachograph with emergency trip display / 160KMH KIENZLE
 7D0957039B 01C satin black

(1) 7D0957041
 tachograph / 180KMH/110MPH
 / KIENZLE
 7D0957041 01C satin black

(2) 7D1971555E
 tachograph wiring harness / lhd

(2) 7D2971555C
 tachograph wiring harness / RLKG

(4) 7D0971555
 tachograph wiring harness

7 701919149
 distance sensor / KIENZLE
 speedometer pinion
 see illustration: / 409-..

9 701957845
 retainer, swivelling with cap for seal / 24MM

10 443957818C
 cable tie / 7X273-8
 wiring harness
 brake hose
 water hose

12 701957831B
 retainer

(12) 701957831C
 retainer / 4 cylinder
 4 speed automatic gearbox

(12) 701957831G
 retainer / 5-cylinder
 4 speed automatic gearbox

13 N 0206201
 pipe clip / D1-13X15

14 N 0110088
 hexagonal nut / M8

15 N 0122283
 spring washer / B8X17X0,8

16 N 01100624
 hexagonal nut / M6

17 211805243
 spring washer / 6,4X17

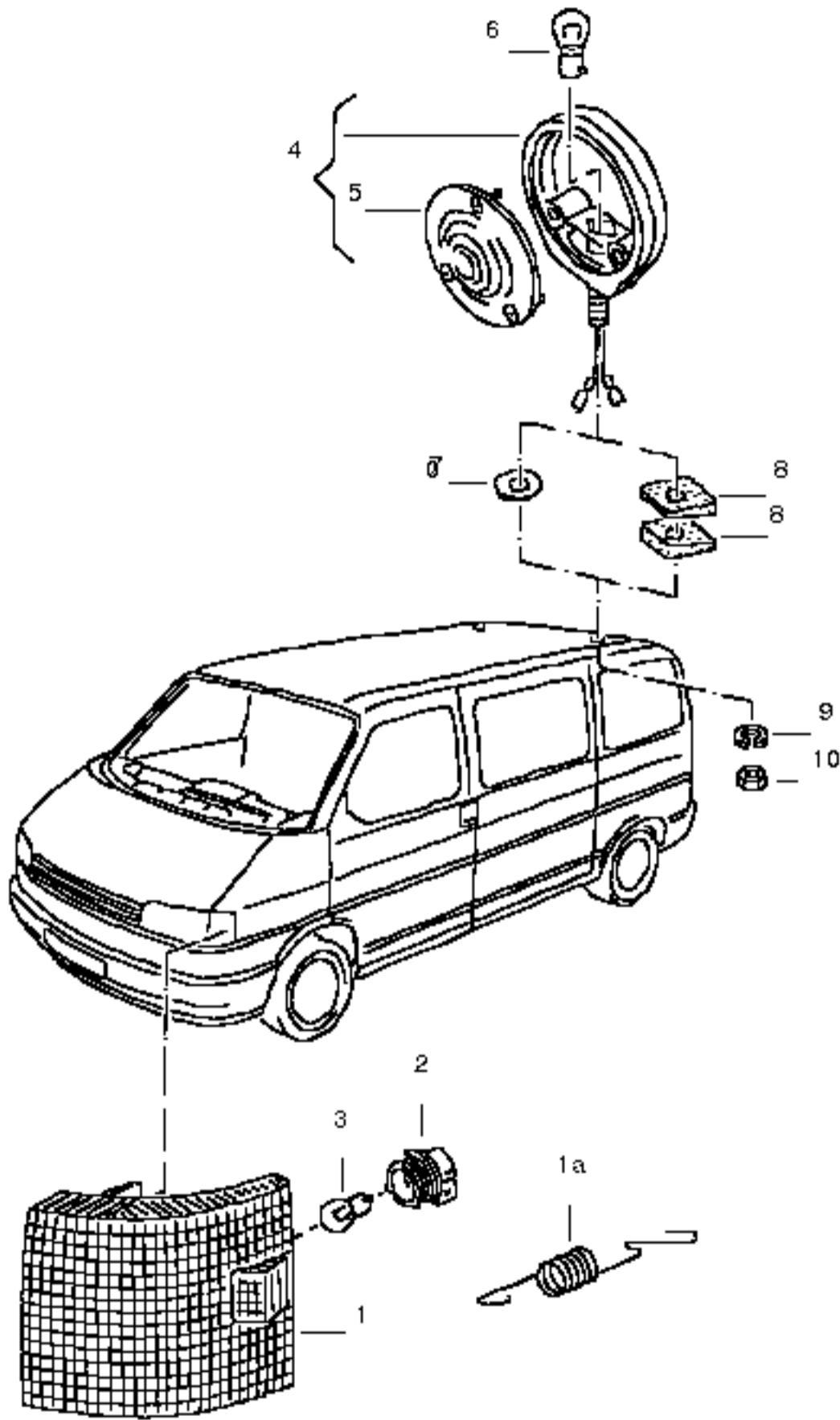
18 N 0200251
 plug / A12X1

19 281957897E
 flat connector housing / 8 pin

20 2D0972975
 clutch / 4 pin

21 2D0957810A
 cap

(22) 3A0971913A
 grommet / 35/10,5



turn signal / front
roof turn signal
turn signal / front

1 701953049
turn signal / yellow, left / PR-AC0

(1) 7D0953041F
turn signal / white, left / PR-AC1

(1) 701953050
turn signal / yellow, right / PR-AC0

(1) 7D0953042F
turn signal / white, right / PR-AC1

1A 2D0953575
retaining spring / PR-AC1
for turn signal: / white

2 701953123
socket for bulb / PR-AC0
for turn signal: / yellow

(2) 6K0953123C
socket for bulb / PR-AC1
for turn signal: / white

3 N 0177322
bulb / P21W12V21W

(3) N 10256401
bulb, yellow glass / PY21W / PR-AC1
roof turn signal

4 281953351
roof turn signal

5 281953357
window / yellow

(5) N 01396626
oval head panel screw / 4,2X13STC

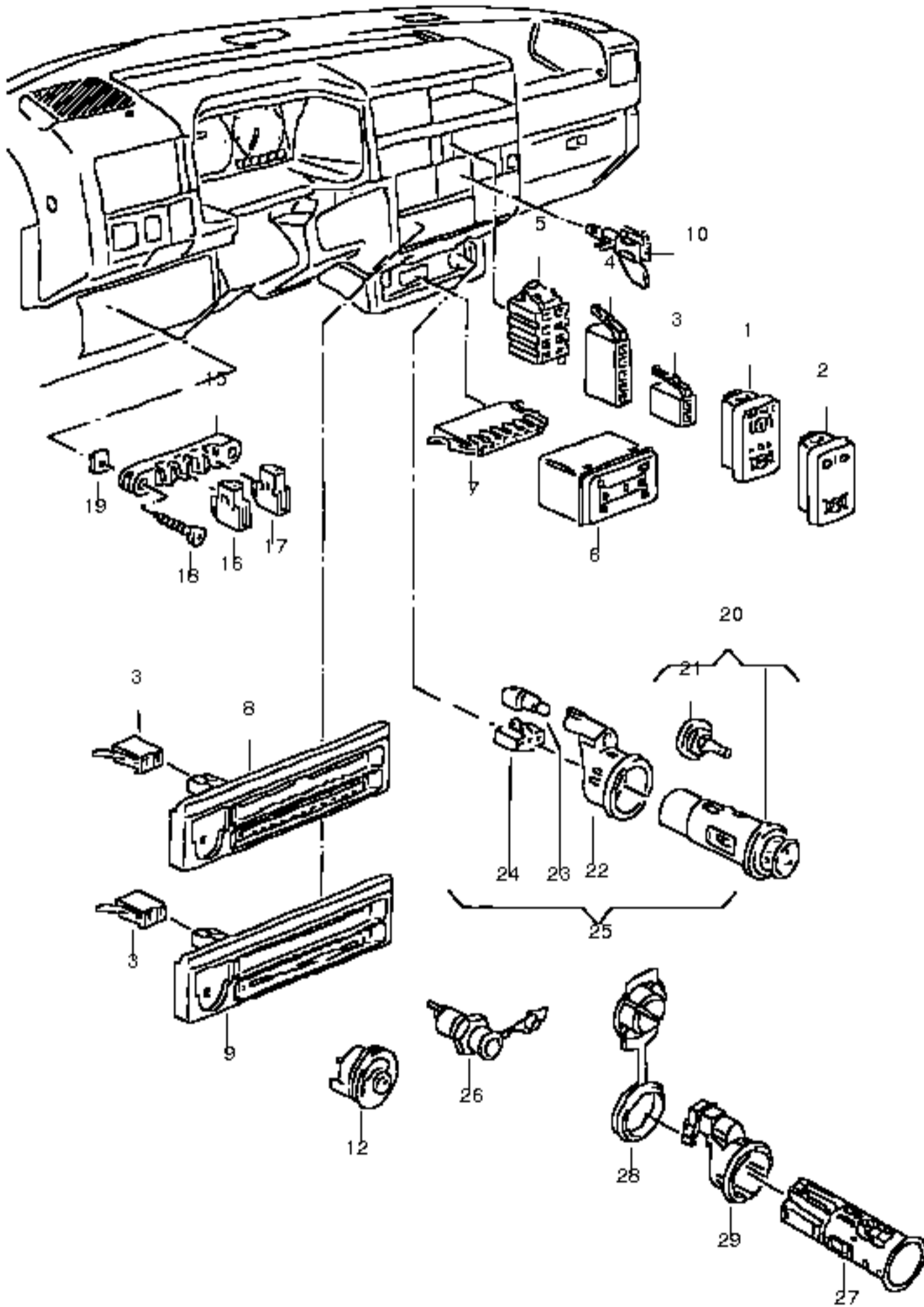
6 N 0177322
bulb / P21W12V21W

7 111857779
gasket / 28X10,4X1,5

8 281953355A
base
for high roof

9 N 0120113
spring ring / A10

10 N 0110115
hexagonal nut / M10X1



warning lights

air cleaner service indicator

retaining strip

for diagnosis plug

cigarette lighter

(1) 3A0919235K

warning lamp for airbag and/ or trailer towing

(1) 7D0919235C

warning lamp for anti-locking brake system (abs)

and/or trailer towing

and/or airbag

(1) 7D0919235D

warning lamp for anti-locking brake system and seat belt / "J.."

with/without airbag

(1) 3A0919235N

warning lamp for airbag and/ or dual circ. brake and hand brake / "AUS"

for models without anti-locking system

(1) 7D0919235J

warning lamp for dual circuit brakes and handbrake / "AUS"

and ABS

with/without airbag

(2) 701919271

gear indicator / automatic

3 191906231A

flat contact housing / 2 pin

4 191906231D

flat contact housing / 5 pin

5 357919968B

flat contact housing with helper contact catch / 8 pin

6 701919621

warning lamp for differential lock / 6 pin

7 191972706

flat contact housing / 6 pin

(12) 701919301B

air cleaner service indicator

701919301B 01C satin black

(15) 3A0972559

diagnose connector strip

20 191919305B

cigarette lighter

22 1H0919343

retaining sleeve for cigarette lighter

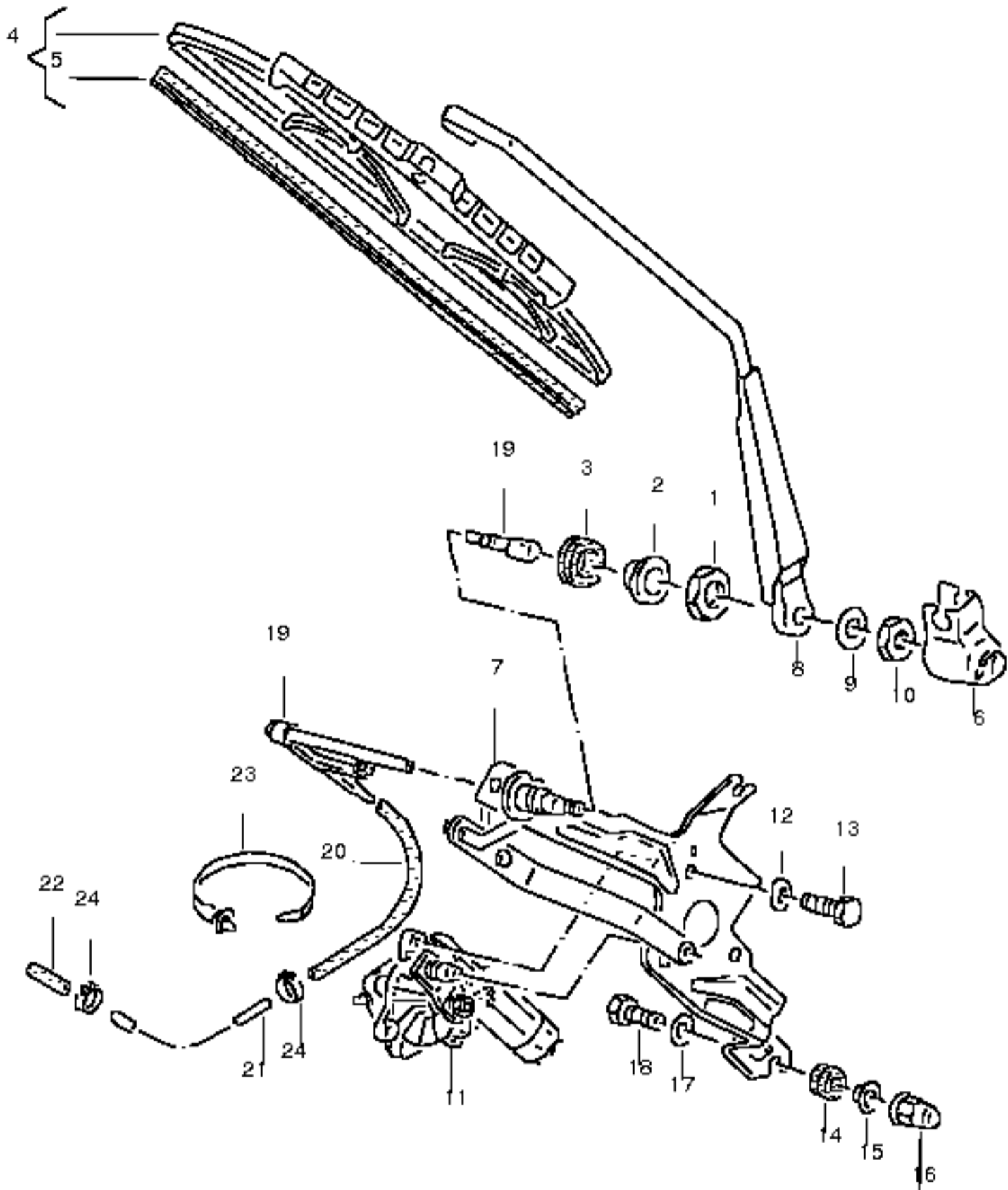
also use: / 6K0 919 243

23 6K0919243

bulb holder with bulb / SCHOELLER

24 191919321

flat contact housing / 3 pin



wash and wipe system for rear window

tailgate/boot lid panel

1 7D0955243

hexagonal nut / M16X1

2 701955251

spacer bush

(3) N 90465501

grommet / 20,5X24,2X1,8

4 161955427

wiper blade with wear indicator / 400MM VALEO

5 895955429A

wiper blade rubber / 550MM

shorten to: / 400MM

6 3A0955435

cap for wiper arm

7 701955702B

wiper shaft with linkage

8 701955707

wiper arm

9 N 01155811

washer / 8,4X15X1,6

10 N 0111513

hexagonal nut / M8

11 701955713A

wiper motor

(12) N 01152423

washer / A6,4X12,5X1,6

13 N 01021527

hexagonal head bolt / M6X15

14 701955754

grommet / 14X9,5

15 701955756

bush

16 N 90263101

rivetted cap nut / M6/0,7-3-ET

17 N 0116735

washer / B5,5X18X1,6

(18) N 01021710

hexagonal head bolt / M6X20

19 701955985A

spraying jet with pipe

20 2D0955962

hose / 3,8X2,1X1300MM

- 7M0955961B

tube / 5X1X6000MM

shorten to: / 5195MM / PR-ACO

shorten to: / 5975MM / PR-AC1

22 2D0955962

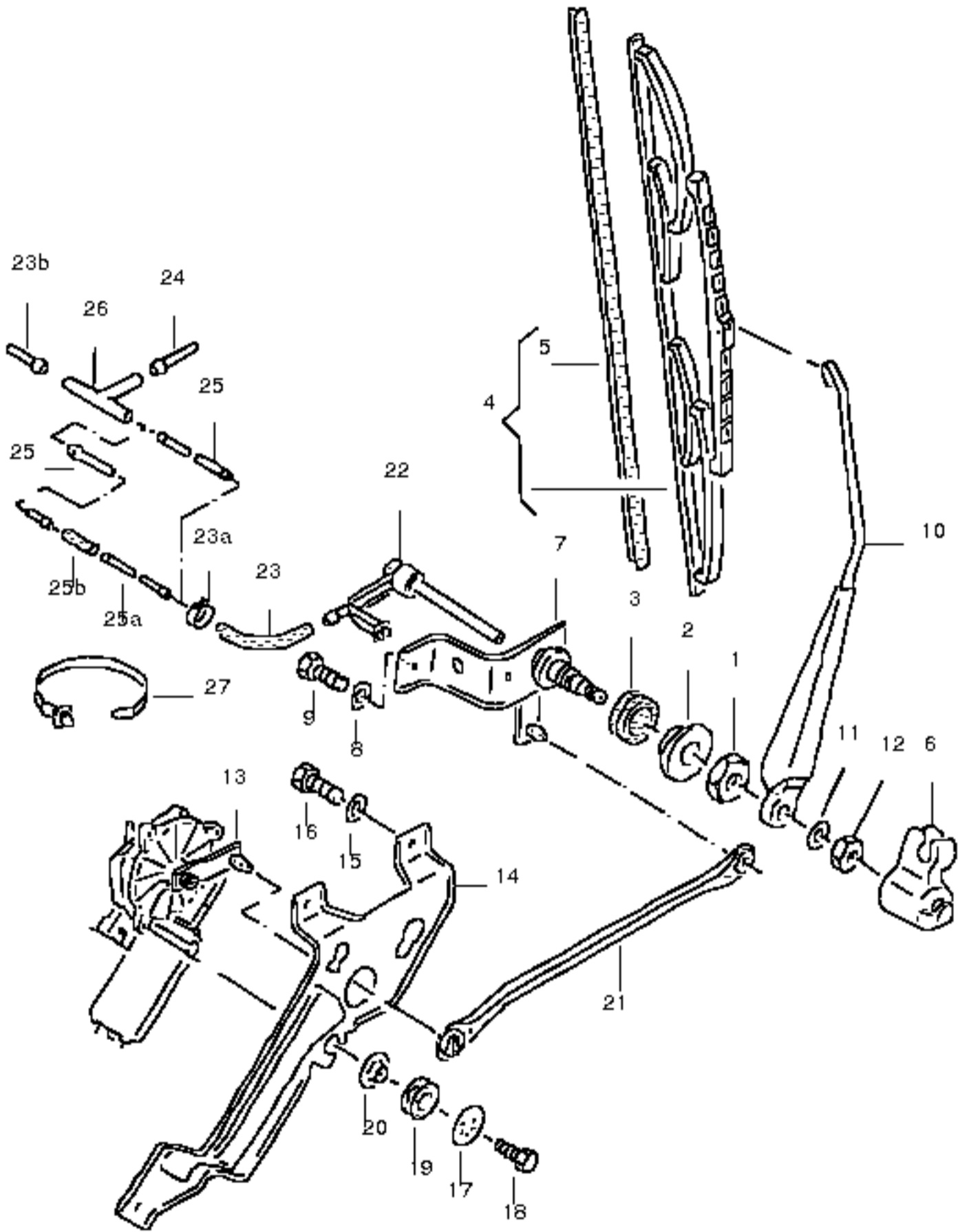
hose / 3,8X2,1X1300MM

23 N 90666101

cable tie / 4,5X200

24 N 0243992

pipe clip / A7X8



wash and wipe system for rear window
wing doors

1 7D0955243
hexagonal nut / M16X1

2 701955251
spacer bush

(3) N 90465501
grommet / 20,5X24,2X1,8

4 161955427
wiper blade with wear indicator / 400MM VALEO

5 895955429A
wiper blade rubber / 550MM
shorten to: / 450MM

6 3A0955435
cap for wiper arm

7 701955702
wiper shaft with linkage / left

(7) 701955702A
wiper shaft with linkage / right

(8) N 01152423
washer / A6,4X12,5X1,6

9 N 0102085
hexagonal head bolt / M6X8

10 701955707A
wiper arm / left

(10) 701955708
wiper arm / right

11 N 01155811
washer / 8,4X15X1,6

12 N 0111513
hexagonal nut / M8

13 701955713C
wiper motor

14 701955717B
bracket for wiper motor / left

(14) 701955718A
bracket for wiper motor / right

(15) N 01152423
washer / A6,4X12,5X1,6

16 N 0102085
hexagonal head bolt / M6X8

17 331955753
spring washer

18 N 01021527
hexagonal head bolt / M6X15

19 331955754
grommet / 13/9

20 331955756
bush

21 701955801
operating linkage

22 701955985
spraying jet with pipe / left

(22) 701955985A
spraying jet with pipe / right

23 2D0955962
hose / 3,8X2,1X1300MM

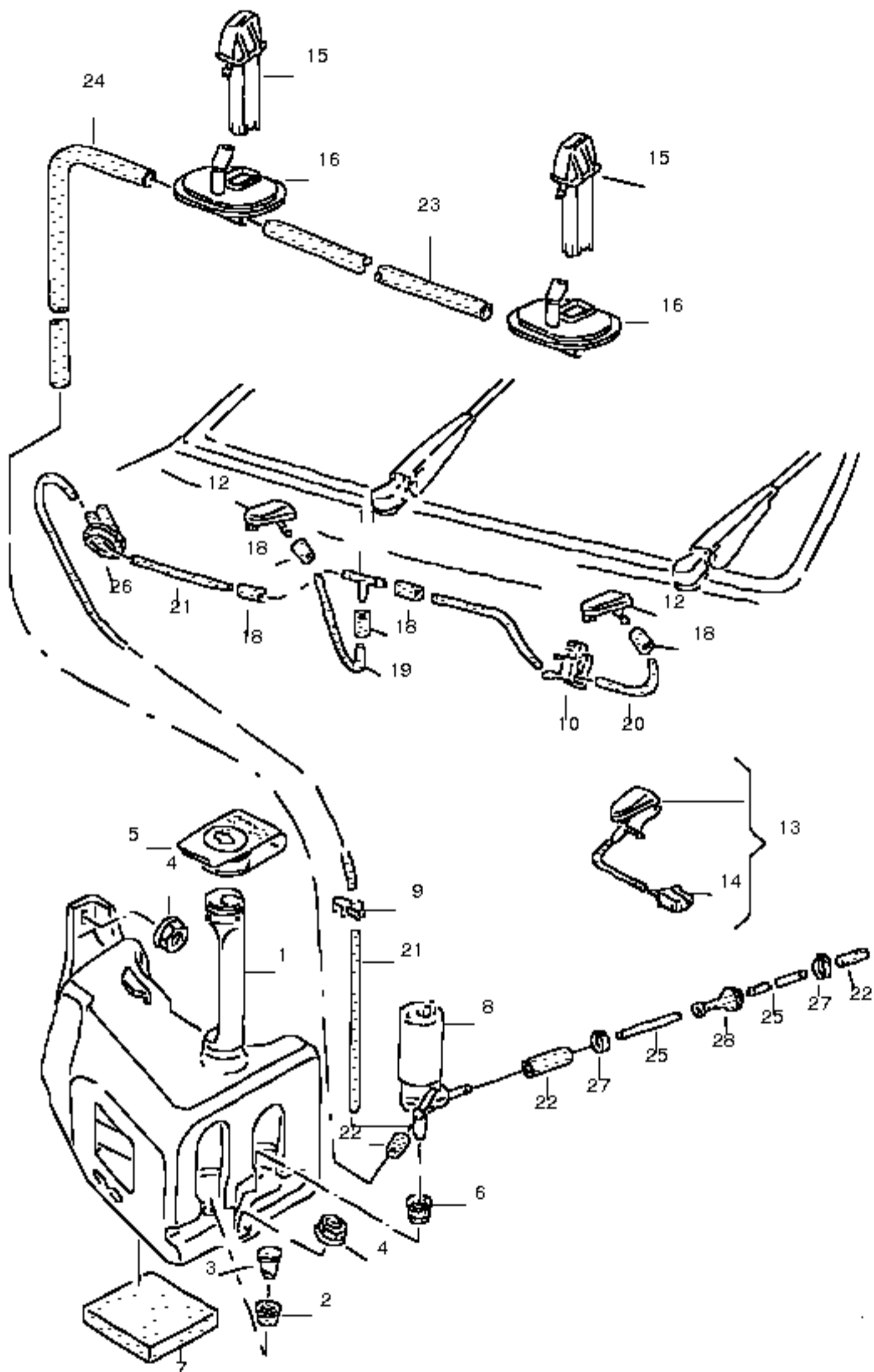
23A N 0243992
pipe clip / A7X8

- 7M0955961B
tube / 5X1X6000MM
shorten to: / 5195MM / PR-ACO
shorten to: / 5975MM / PR-AC1
shorten to: / 1510MM
/ right
shorten to: / 2570MM
/ left
shorten to: / 730MM
/ left

25B 2D0955962
hose / 3,8X2,1X1300MM

26 6X0955975
t-piece

27 N 90666101
cable tie / 4,5X200



windscreen washer unit

(1) 701955453B
fluid container

1 701955453C
fluid container
for vehicles with headlight washer system

2 431955465A
gasket

3 444955647
plug

4 171201969
hexagon nut, shouldered / 5

5 8D0955455
locking cover / 54MM

6 443955465
gasket / 12X6,5

7 867955499
base

8 1H6955651
pump
for vehicles with wipe-wash system for rear window
also use: / 357 972 752
/ 357 972 741A

- 357972752
flat contact housing / 2 pin

- 357972741A
single wiring seal / 5,6X7,8
/ red
for wire cross section: / 1,5

(8) 431955651
pump

9 1H0955747
bracket for hose

10 7D0955747A
bracket for hose

11 211955975
t-piece / PR-AC0

12 191955985A
spraying jet / PR-AC0

13 191955986A
heated spraying jet / PR-AC0

14 161971989C
flat terminal pin housing / 2 pin / PR-AC0

15 7D1955985A
spraying jet / PR-AC1

(15) 7D1955986A
heated spraying jet / PR-AC1

16 701955997
grommet / left/right / PR-AC1

18 443955665
connecting hose / 4X30 / PR-AC0

- N 0203011
hose in coils of 10m 'order unit 10' / 4X1
shorten to: / 105MM / PR-AC0
shorten to: / 630MM / PR-AC0
shorten to: / 1725MM / PR-AC0

- 2D0955962
hose / 3,8X2,1X1300MM
shorten to: / 40MM

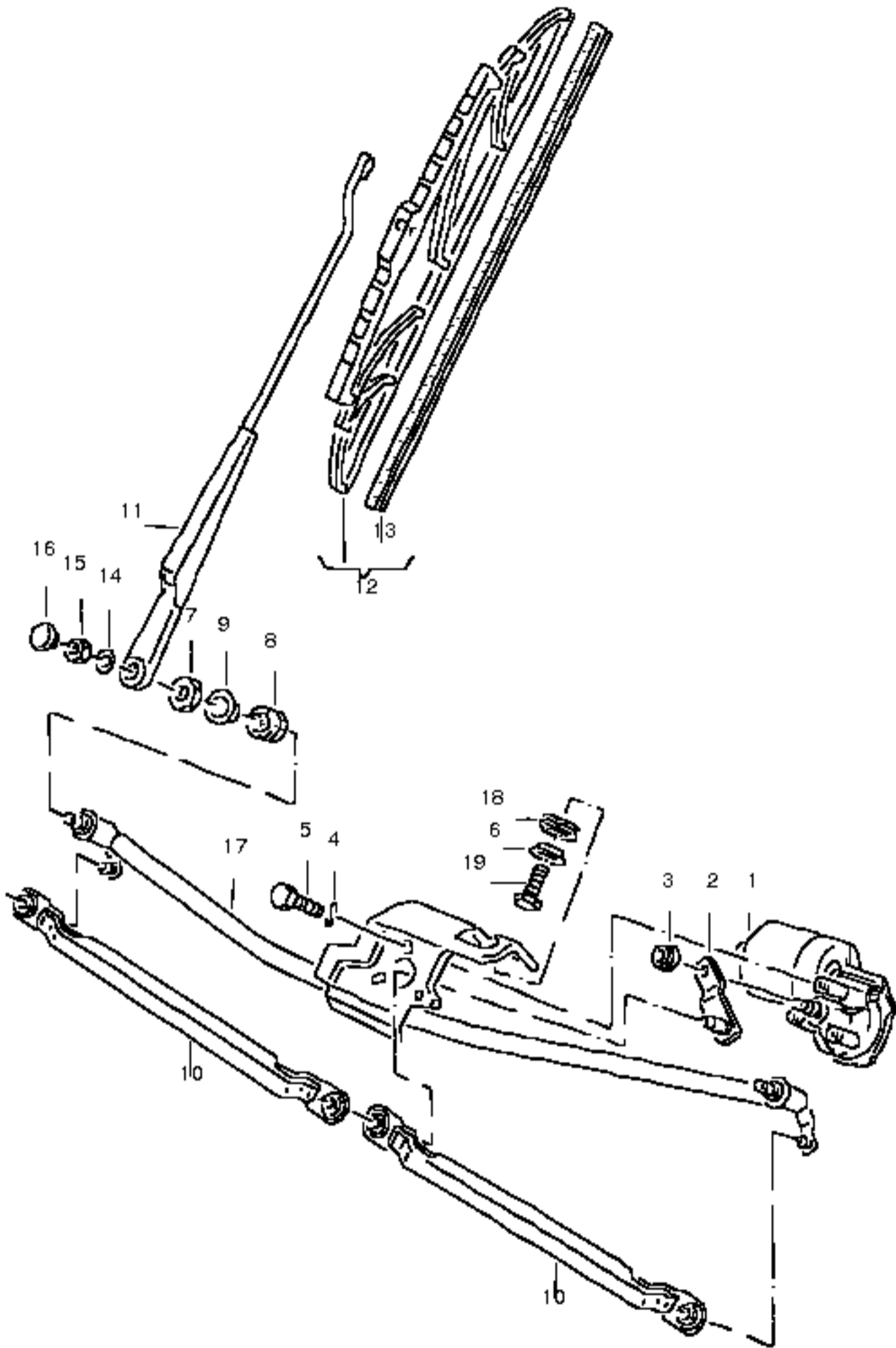
- 7M0955961B
tube / 5X1X6000MM
shorten to: / 580MM / PR-AC1
shorten to: / 1630MM / PR-AC1
shorten to: / 5195MM / PR-AC0
shorten to: / 5975MM / PR-AC1

26 1J0955998C
grommet / 36X25/5,5/3 / PR-AC0
heated spraying jet

27 N 0243992
pipe clip / A7X8

28 171611751
grommet / 15X4

- 06A133382K
joint pipe / 4X6



windshield wiper

1 1J0955119

wiper motor without crank

2 701955121

crank arm

3 N 90183802

hexagon nut, shouldered / M8

4 N 0122265

spring washer / B6X12X0,5

(5) N 01021226

hexagonal head bolt / M6X12

6 701955123

spacer bush

7 7D0955243

hexagonal nut / M16X1

(8) N 90465501

grommet / 20,5X24,2X1,8

9 867955251

spacer ring

10 701955325

operating linkage

(11) 701955409A

wiper arm / left lhd

(11) 702955409A

wiper arm / left rhd

(11) 701955410A

wiper arm / right lhd

(11) 702955410A

wiper arm / right rhd

12 357955427

wiper blade with wear indicator / 530MM VALEO

(passenger side)

(12) 3A1955427

wiper blade with air deflector and wear indicator / 530MM VALEO

(drivers side)

13 895955429A

wiper blade rubber / 550MM

14 N 01155811

washer / 8,4X15X1,6

15 N 0111513

hexagonal nut / M8

16 1J0955205A

cap

1J0955205A 01C satin black

17 701955603

base, windshield wiper / lhd

(17) 702955603A

base, windshield wiper / rhd

18 701955641

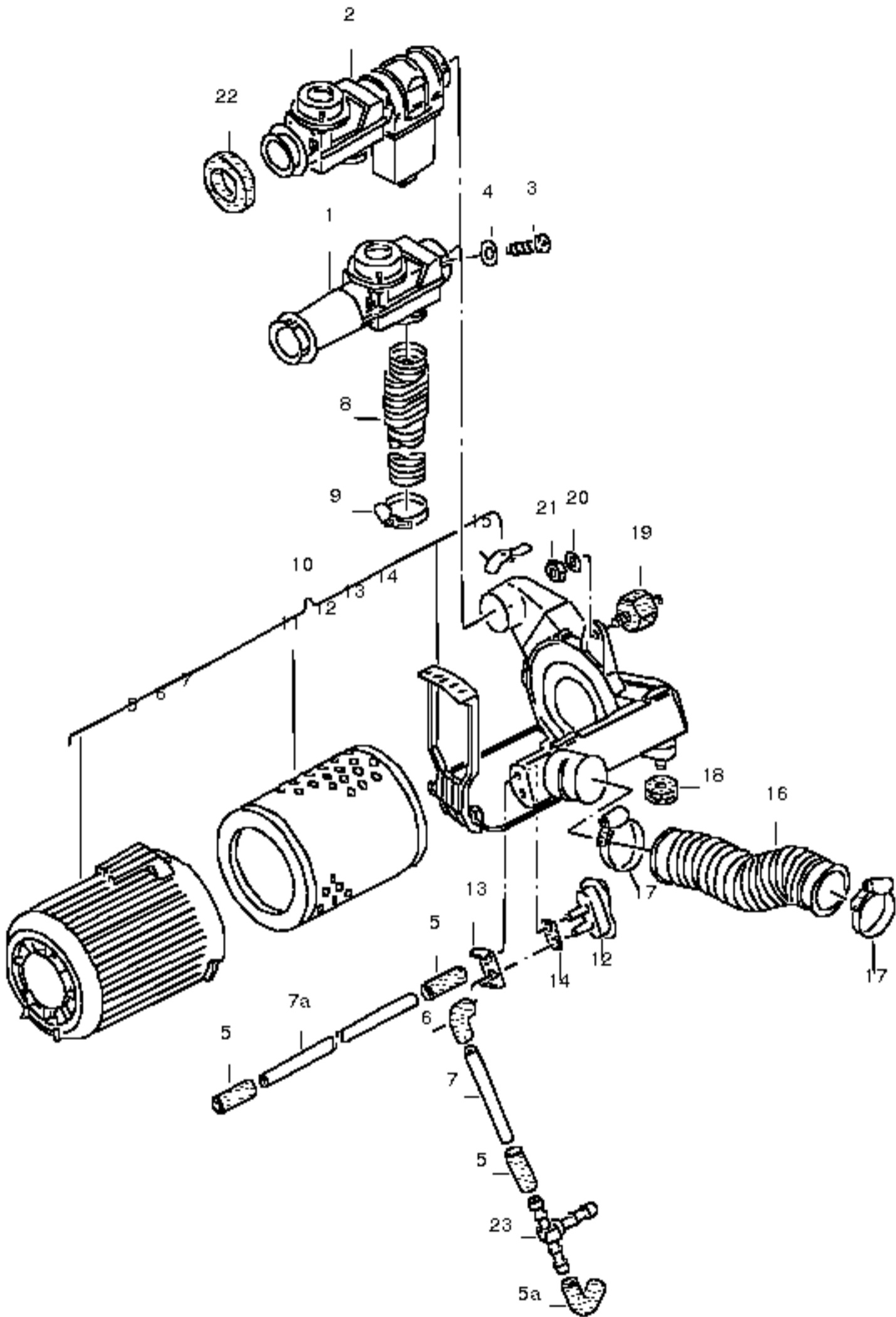
grommet

19 N 0197002

hexagon head bolt c/w shoulder / M8X30

- 357998003

1 set: wiper blades with wear indicator / VALEO



air cleaner with connecting parts / 2.5ltr. / 5 cylinder:
/ ACU, / "CN.", "GUS": / AEN

1 074129594
control box

2 074129594A
control box
for dusty regions

3 N 01396626
oval head panel screw / 4,2X13STC

4 N 0116644
washer / B4,3X12X1

- N 0203535
hose in coils of 5m 'order unit 5' / 3,5X2
shorten to: / 40MM
shorten to: / 150MM

6 034133784
angled hose / 3,5MM

- N 0201391
tube in coils of 5m 'order unit 5' / 4X1
shorten to: / 200MM
shorten to: / 330MM / air condit.
shorten to: / 970MM
/ lhd
shorten to: / 550MM
/ rhd

8 044129627D
warm air hose / 50X730MM / air condit.
for vehicles with 2nd heat exchanger

- 044129621
seal / air condit.
for vehicles with 2nd heat exchanger

(8) 028129087A
air hose / 50X2,5X1080
shorten to: / 780MM

- 044129621
seal

9 N 0245044
pipe clip / LC40-60

10 044129607AC
air cleaner / 1L2

11 044129620
air cleaner element

(11) 044129620A
air cleaner element
for dusty regions

12 038129828
temperature regulator / 20/30C

13 113129830
lock plate

14 113129832
gasket

15 076129614
sealing clip

16 023129627C
intake hose

- 068129644D
connection piece / 22,5/22,5MM

- 028906081
temperature sensor

- 022906313B
plug / 12,7MM

17 N 0245223
pipe clip / LA60-80

18 431129669
grommet

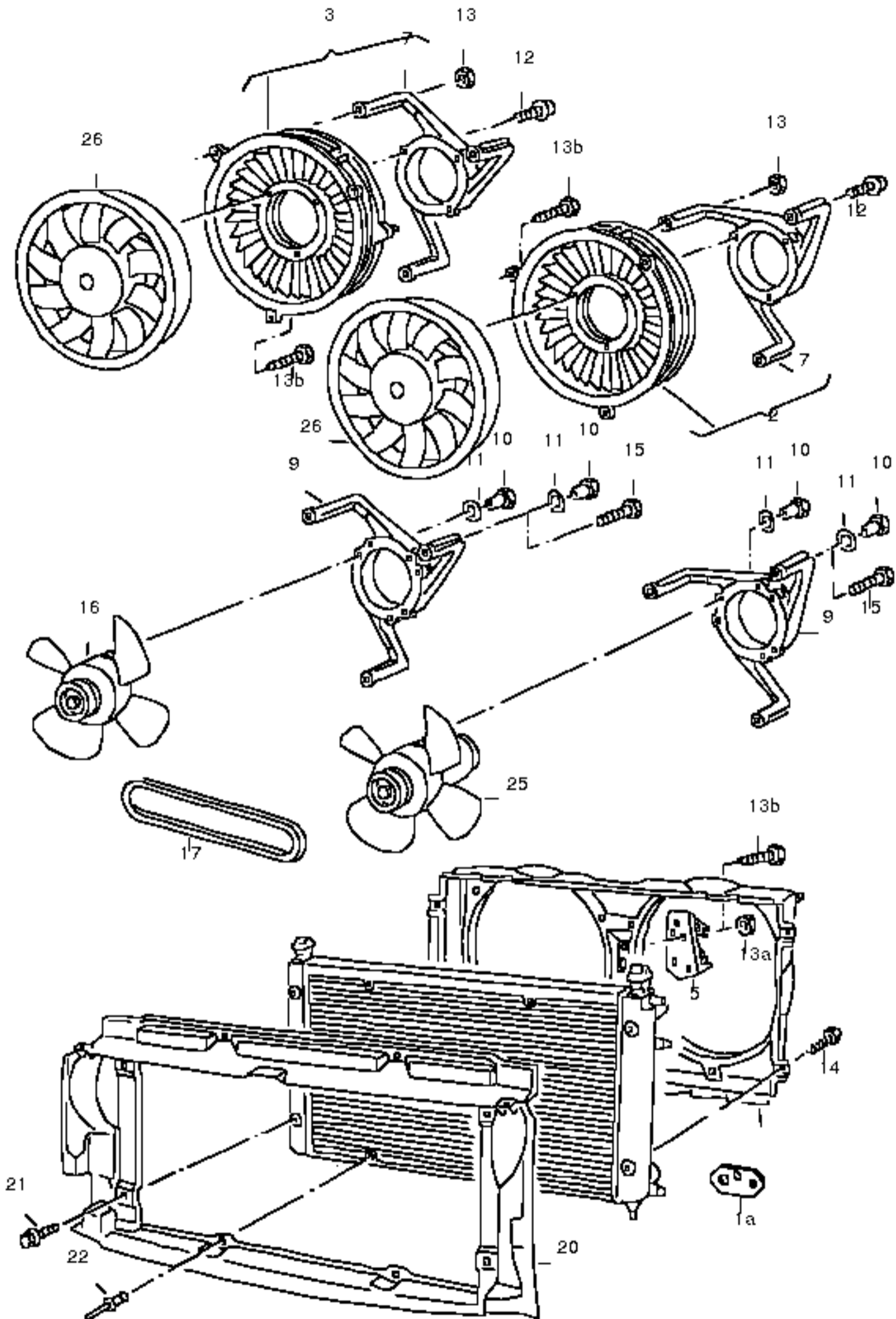
19 044129670
bonded rubber mounting

20 N 01167016
washer / 8,4X24X2

21 N 01100830
hexagonal nut / M8

22 044129621
seal

23 113201943B
t-piece / 4/4/4



air guide / 4 cylinder: fan cowl / AAC,ABL,1X
/ 5 cylinder: / AAB,ACU,ACV,
/ "CN.,"GUS": / AEN

(1) 701121207G
dual fan cowl / AAB,ABL,ACU,
/ AEN,ACV,1X

(1) 701121207G
dual fan cowl / AAB,ABL,ACV,
for vehicle use in cold climates with additional heater / 1X

(1) 701121207G
dual fan cowl / AAC,ABL,ACV
for vehicle use in warm climates

(1) 701121207A
dual fan cowl / AAC

(1) 701121207G
dual fan cowl / AAC,ACU,AEN,
for vehicle use in cold climates / 1X

(1) 701121207C
dual fan cowl / AAB
for vehicle use in cold climates

(1) 701121207C
dual fan cowl / AAB
for vehicles with air condit.
or
for trailer towing
/ >>2000KG

(1) 701121207C
dual fan cowl / automatic:
for vehicles with air condit. / ACU,AEN

(1) 701121207G
dual fan cowl / ABL
for vehicle use in cold climates with auxiliary heater

- 893877665A
plug / 5X0,8

(2) 701121165A
cut-off ring / left / AAB,ABL,ACV,
/ 1X

(2) 701121165A
cut-off ring / left / AAC,AAB,ACU
for vehicle use in cold climates / AEN,ACV

(2) 701121165A
cut-off ring / left / ABL
for vehicle use in cold climates with auxiliary heater

(3) 701121166A
cut-off ring / right / AAB,ABL,ACV,
/ 1X

(3) 701121166A
cut-off ring / right / AAC,AAB,ACU,
for vehicle use in cold climates / AEN,ACV

(3) 701121166A
cut-off ring / right / ABL
for vehicle use in cold climates with auxiliary heater

5 701121183A
adjuster unit / AAB,ABL,ACV,
/ 1X

5 701121183A
adjuster unit / AAC,AAB,ACU,
for vehicle use in cold climates / AEN,ACV

5 701121183A
adjuster unit / ABL
for vehicle use in cold climates with auxiliary heater

(7) 701121206C
bracket - electric fan / ABL,ACU,AEN,
/ 1X

(7) 701121206C
bracket - electric fan / AAC
for vehicle use in cold climates

(7) 701121206C
bracket - electric fan / ABL
for vehicle use in cold climates with additional heater

(7) 701121206C
bracket - electric fan / ABL
for vehicle use in warm climates

9 701121209D
bracket - electric fan / left a. right / AAC
also use: / 701 121 215
/ 701 121 216

- 701121209H
bracket - electric fan / left/right / AAB
for vehicles with air condit.
or
for trailer towing / >>2000KG
for vehicle use in cold climates

- 701121209H
bracket - electric fan / left/right / automatic:
for vehicles with air condit. / ACU,AEN

10 701121215
hexagon nut, shouldered / M6 / AAC

11 701121216
spacer ring / AAC

12 N 10295401
allen key head bolt (combi) / M5X20

(12) N 10189601
allen key head bolt (combi) / M5X25

13 N 90175203
hexagon nut, shouldered / M6

13B N 90213201
hex hd. panel screw, shoulder / BZ6,6X27

14 N 0159451
hexagon head panel screw / A6,5X16

- N 90310301
hexagon head panel screw / 6,8X12,5

15 N 10258701
hexagon head panel screw / 6,6X22 / AAC,ABL,AAB, / ACV

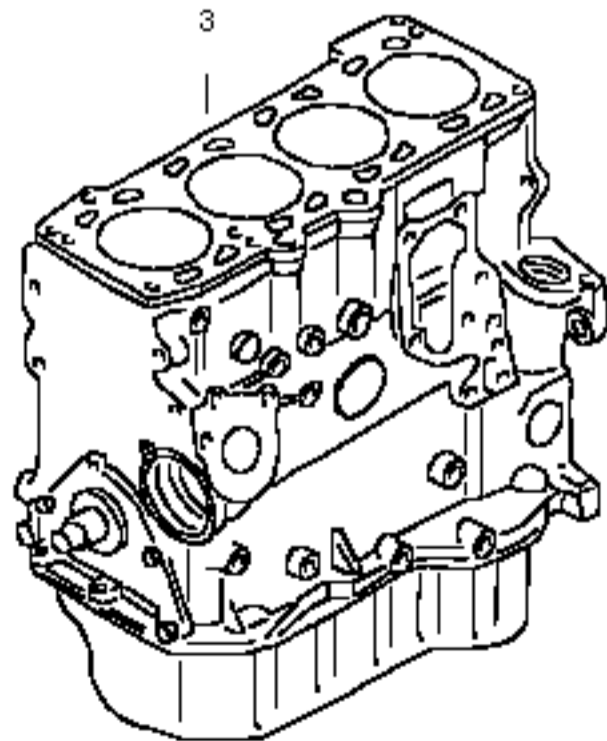
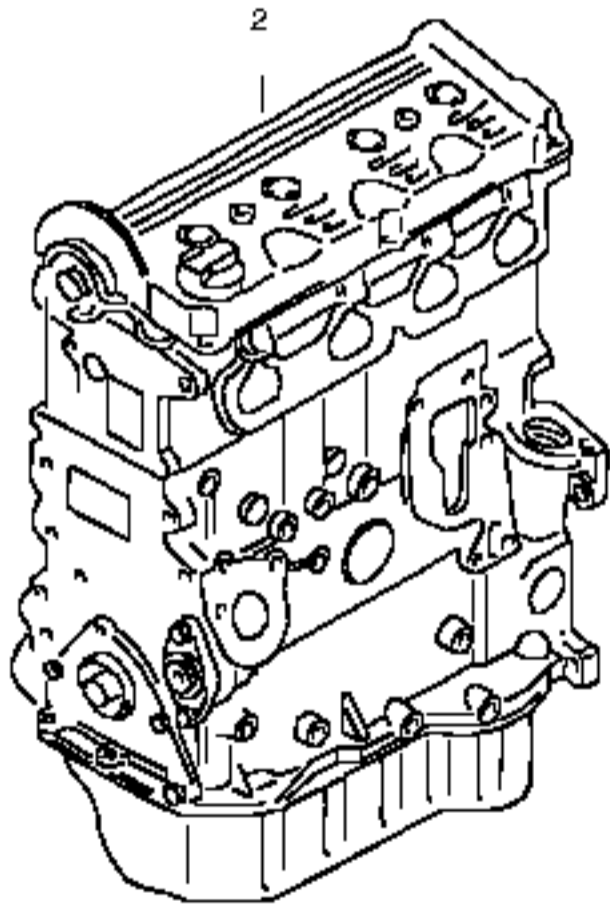
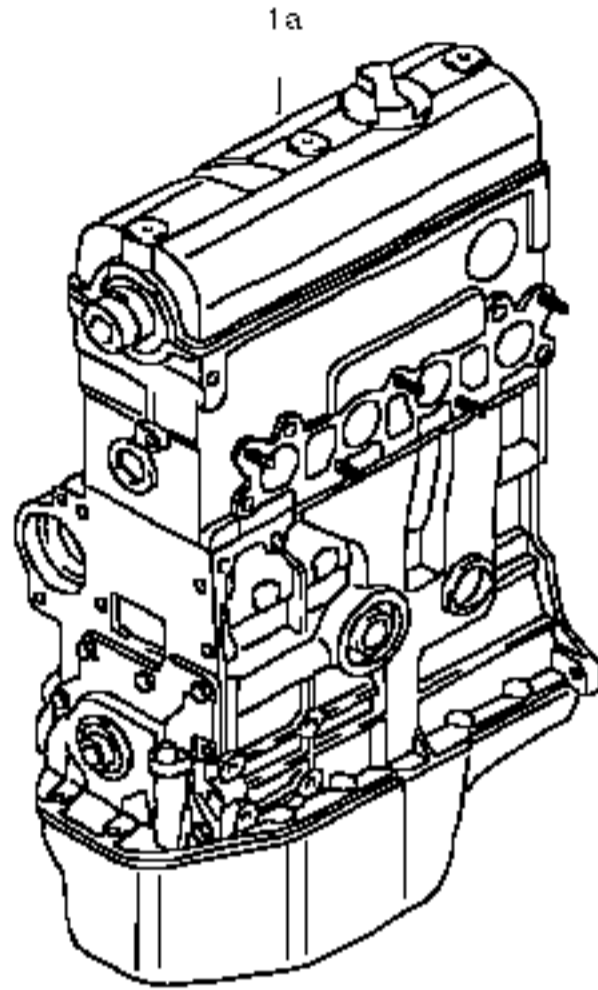
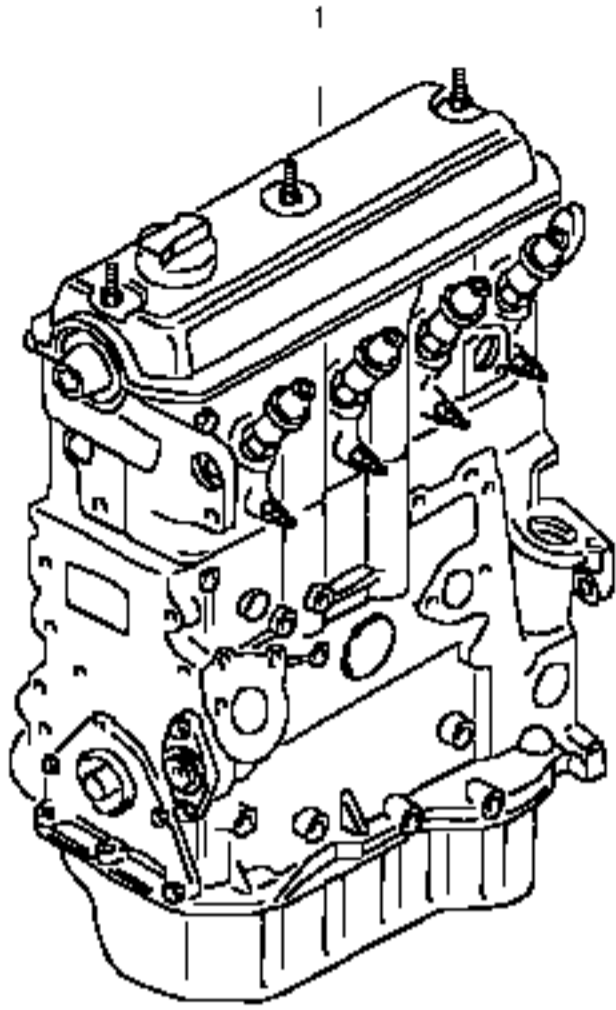
16 811119113B
fan wheel with bearing / AAC

17 701119137A
ribbed v-belt / AAC

(20) 701121283G
air guide

21 N 0159451
hexagon head panel screw / A6,5X16

22 N 90097802
pop-rivet / 4X8X12,3
see illustration: / 959-50 / 1
see illustration: / 959-50 / 2



base engine short engine

1 028100035B

base engine / 50KW / ABL
/ 1.9ltr.

also use: / 028 105 263 D

- 028100090EX

base engine / 50KW / ABL
/ 1.9ltr.

- 044100098 X

base engine / 62 KW / AAC
/ 2.0ltr.

- 074100091 X

base engine / 57KW / manual- gearbox:
/ 2.4ltr. / AAB

use if required: / 023 105 329 / automatic

- 074100091AX

base engine / 65/75KW / ACV
/ 2.5ltr.

also use: / 023 105 329 / automatic

use if required: / 074 145 771 M

/ N 013 813 1

/ N 906 264 01

- 028100090MX

base engine / 45KW / 1X
/ 1.9ltr.

short engine with crankshaft, pistons, oil pump and oil sump

(3) 028100103BX

short engine / 45KW / diesel eng.:
/ 1.9ltr. / 1X

(3) 028100103KX

short engine / 50KW / diesel eng.:
/ 1.9ltr. / ABL

(3) 044100103A

short engine / 62KW / AAC
/ 2.0ltr.

(3) 044100103AX

short engine / 62KW / AAC
/ 2.0ltr.

- 023100103BX

short engine / 81KW / AEN
/ 2.5ltr.

- 023100103CX

short engine / 81KW / ACU
/ 2.5ltr.

use if required: / 023 105 329 / automatic

- 074100103CX

short engine / 57KW / diesel eng.:
/ 2.4ltr. / AAB

use if required: / 023 105 329 / automatic

- 074100103K

short engine / 75KW / diesel eng.:
/ 2.5ltr. / ACV

also use: / 023 105 329 / automatic

- 074100103DX

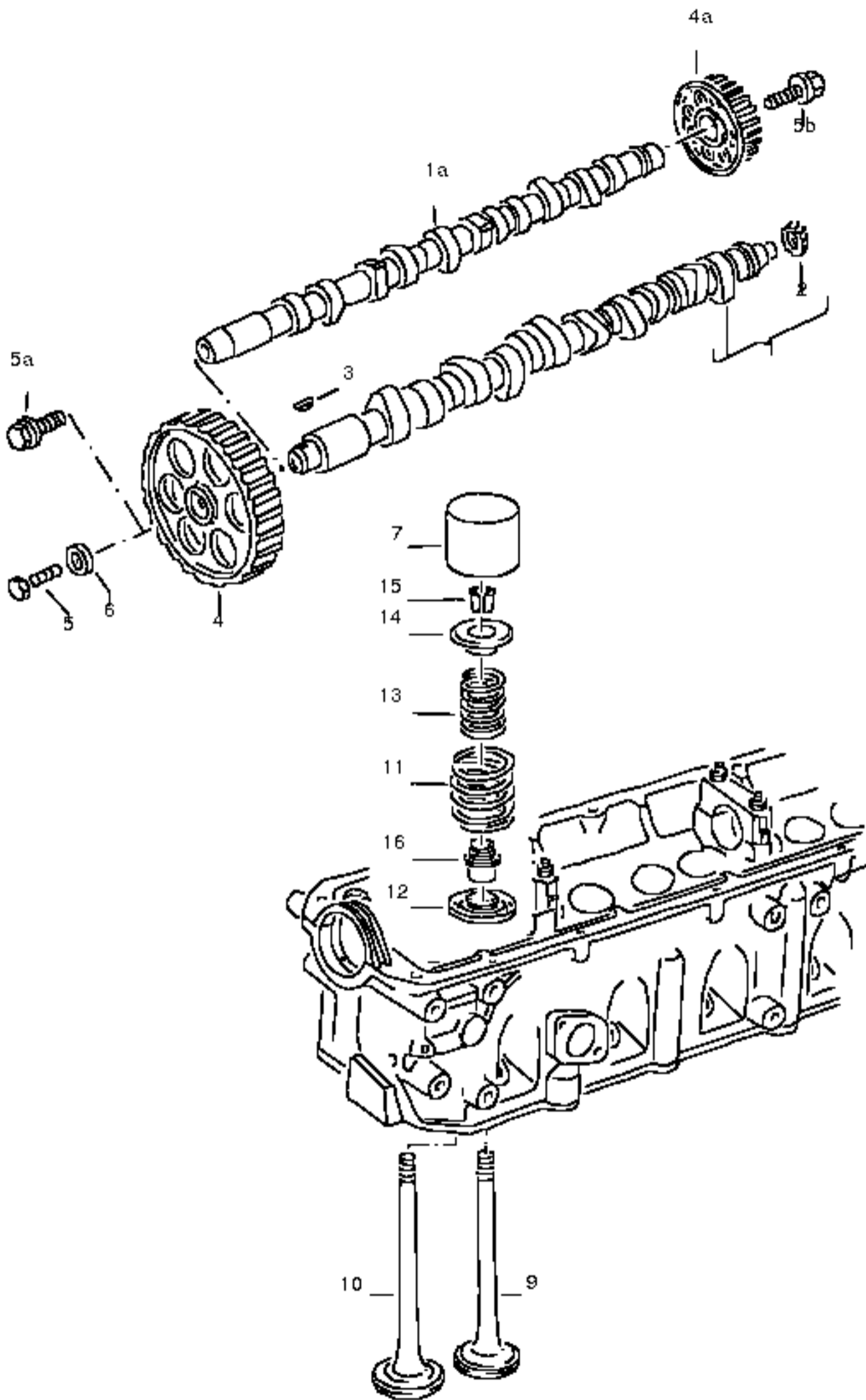
short engine / 75KW / ACV
/ 2.5ltr.

also use: / 023 105 329 / automatic

use if required: / 074 145 771 M

/ N 013 813 1

/ N 906 264 01



camshaft, valves / 2.4/2.5ltr. / 5-cylinder
 camshaft, valves / 2.4/2.5ltr. / ACU,AEN
 / diesel eng.: / AAB,ACV

1 023109101E
 camshaft / ACU,AEN

1A 074109101J
 camshaft / ACV

(1A) 074109101B
 camshaft / AAB

3 N 90460101
 woodruff key / 4X6 / ACU,AEN

(4) 023109111C
 toothed belt pulley / ACU

4 069109111
 toothed belt pulley / AAB,ACV

4A 074130111H
 toothed belt pulley / AAB

(4A) 074130111A
 toothed belt pulley / ACV

5A N 90502102
 hexagon head bolt (combi) / M12X1,5X35SW18

5B N 90253801
 hexagon head bolt (combi) / M12X1,5X50 / AAB

(5B) N 90472101
 hexagon head bolt (combi) / M14X1,5X50 / ACV

7 034109309AD
 cam follower

9 046109601J
 intake valve / 96,85MM / ACV

(9) 048109601A
 intake valve / 91,9 / ACU,AEN

9 069109601F
 intake valve / 95,6 / AAB

10 046109611F
 exhaust valve / 96,85 / ACV

(10) 053109611
 exhaust valve / 91,2 / ACU,AEN

(10) 074109611
 exhaust valve / 95,5 / AAB

(11) 078109623A
 spring - valve / outer / ACU,AEN

(11) 028109623B
 spring - valve / AAB,ACV

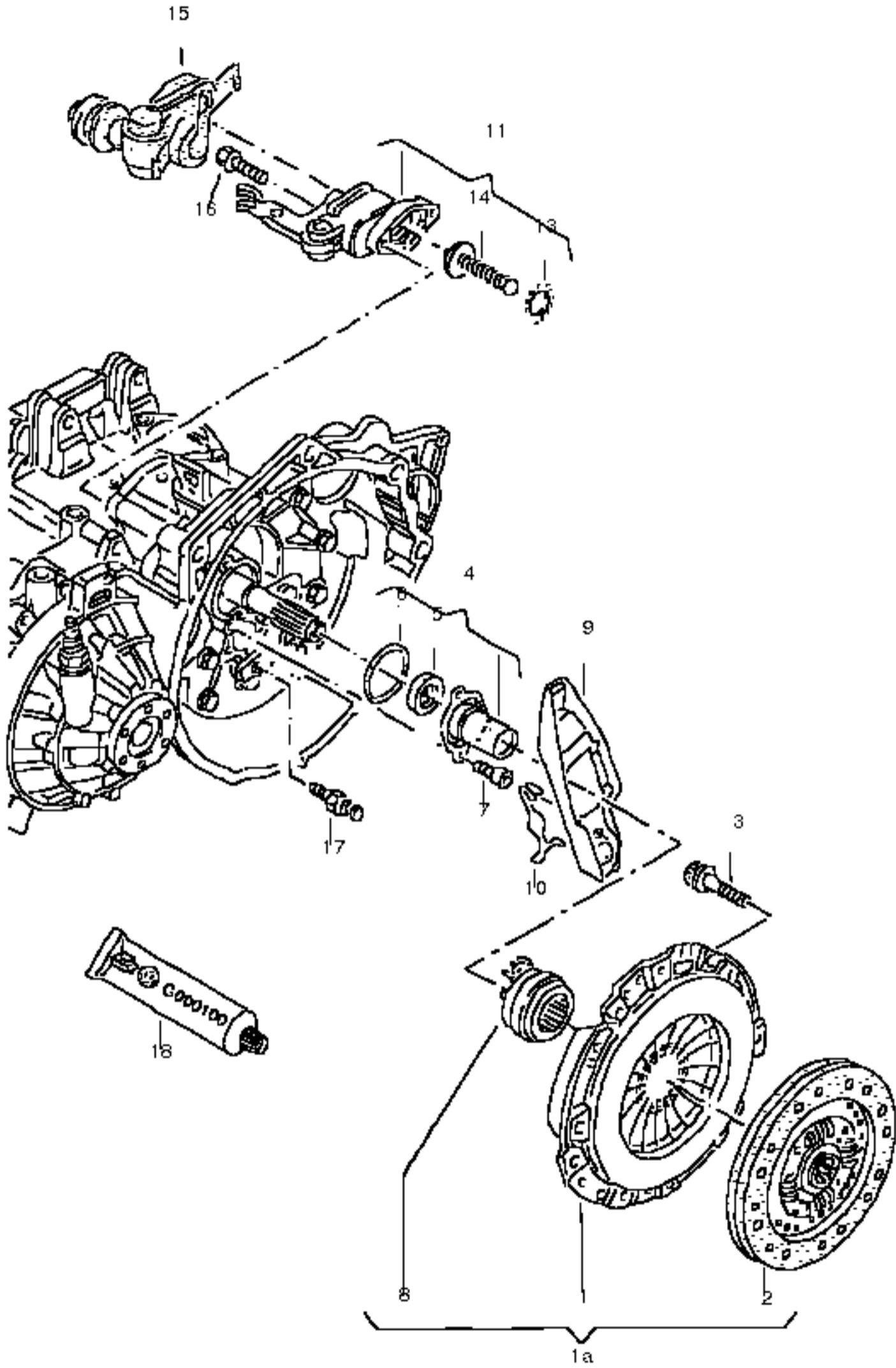
12 056109629A
 spring disc / lower / ACU,AEN

(13) 078109633A
 spring - valve / inner / ACU

14 049109641A
 spring disc / upper

15 113109651A
 cotter, split

16 026109675
 seal - valve stem / 8MM



clutch / 2.0-2.5 ltr. / 4-cylinder / 5-cylinder

clutch / 4 cylinder: / AAC;

/ 5 cylinder: / ACU;

/ "CN." "GUS":

/ AEN;

/ diesel eng./

/ 4 cylinder:

/ ABL,1X;

/ diesel eng./

/ 5 cylinder:

/ AAB;

(1) 044141025D

clutch pressure plate / 228MM / AAC

(1) 044141025DX

clutch pressure plate / 228MM / AAC

(1) 021141025F

clutch pressure plate / 228MM / ACU,AEN;

(1) 021141025FX

clutch pressure plate / 228MM / ACU,AEN;

(1) 021141025F

clutch pressure plate / 228MM

M >> 370 180 / AAB

(1) 021141025FX

clutch pressure plate / 228MM

M >> 370 180 / AAB

(1) 074141025G

clutch pressure plate / 220MM

M 370 181 >> / AAB

(1) 074141025GX

clutch pressure plate / 220MM

M 370 181 >> / AAB

(1) 028141025F

clutch pressure plate / 215MM / 1X,ABL

(1) 028141025FX

clutch pressure plate / 215MM / 1X,ABL

1A 021198141 X

1 set: clutch parts / 228MM

M AAB>> 370 180

(1A) 028198141AX

1 set: clutch parts / 215MM / 1X,ABL

(1A) 044198141AX

1 set: clutch parts / 228MM / AAC

(1A) 074198141 X

1 set: clutch parts / 220MM

M AAB 370 181>>

(2) 044141032E

clutch plate / 228MM / AAC

(2) 044141032EX

clutch plate / 228MM / AAC

(2) 023141031K

clutch plate / 228MM / ACU,AEN

(2) 023141031BX

clutch plate / 228MM / ACU,AEN

(2) 028141034T

clutch plate / 215MM / 1X,ABL

(2) 028141034TX

clutch plate / 215MM / 1X,ABL

(2) 074141031EX

clutch plate / 228MM

M >> 370 180 / AAB

(2) 074141031EX

clutch plate / 228MM

M >> 370 180 / AAB

(2) 074141031Q

clutch plate / 219MM

M 370 181 >> / AAB

(2) 074141031QX

clutch plate / 219MM

M 370 181 >> / AAB

3 N 10101001

12-point head bolt / BM7X26X15 / AAC,ACU

(3) N 10101001

12-point head bolt / BM7X26X15

M >> 370 180 / AAB

(3) N 10104501

12-point head bolt / M7X18 / 1X,ABL

(3) N 90725301

bolt, with multi-spilne socket head / M6X13

M 370 181 >> / AAB

4 02A141180A

guide sleeve

5 085311113

oil seal / 21,8X35X7

6 N 90354301

round seal / 45,7X1,5

7 N 90355404

bolt, with multi-spilne socket head / M7X14

8 02A141165G

release bearing

9 02J141719

clutch operating lever

10 012141741

retaining spring

(11) 02B141708A

bearing bracket

for mechanical clutch operation

13 02A141730

toothed lock washer

(14) 02A141740A

push rod

for mechanical clutch operation

16 N 10195301

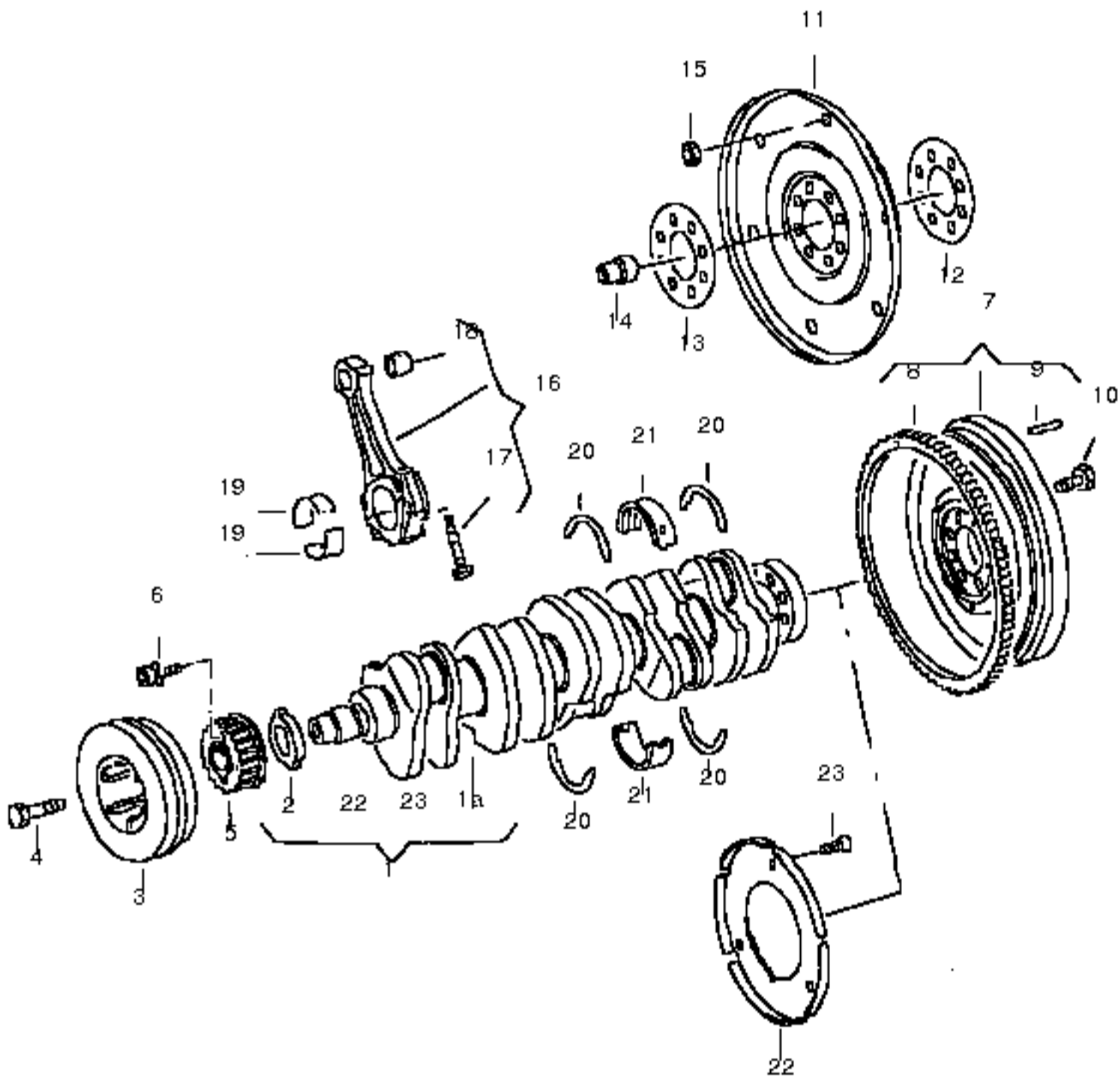
hexagon head bolt c/w shoulder / M8X35

17 02A141777

ball pin

(18) G 000100

grease for cluth plate / 80G



crankshaft / 2.4/2.5ltr. / 5-cylinder
 conrod bearings crankshaft / 2.4/2.5ltr. / ACU,AEN,
 conrod / diesel eng.: bearings / AAB,ACV

1 074105019D
 crankshaft / ACV

(1) 074105019E
 crankshaft / ACU,AEN,AAB
 use if required: / N 904 980 02
 / 074 105 263 B
 also use: / 023 105 329 / automatic

2 034105177
 drive for oil pump

(3) 074105243D
 vibration damper / ACU,AEN

(3) 074105251T
 ribbed belt pulley with vibration damper / AAB,ACV
 also use: / 074 105 193

- 074105193
 washer / 34X19X0,1 / AAB,ACV

4 N 0101432
 hexagonal head bolt / M18X1,5X65 / ACU,AEN,AAB

(4) N 90498002
 hexagonal head bolt / M18X1,5X110 / ACU,AEN,AAB

(4) N 90498002
 hexagonal head bolt / M18X1,5X110 / ACV

5 069105263
 toothed belt pulley

(5) 074105263B
 toothed belt pulley / ACU,AEN,AAB

6 N 0147263
 allen key head bolt / M8X30

(7) 074105264E
 flywheel with clutch / ACV
 also use: / N 906 650 01

7 074105269E
 flywheel / ACU,AEN

(7) 074105269EX
 flywheel

(7) 074105269E
 flywheel
 M >> AAB 370 180

(7) 074105264D
 flywheel with clutch
 M AAB 370 181>>

9 N 10105801
 parallel dowel pin / 6M6X30 / ACU,AEN

(9) N 10105801
 parallel dowel pin / 6M6X30
 M >> AAB 370 180

10 N 90206103
 hexagonal head bolt / M10X1X19,5 / ACU,AEN

(10) N 90206103
 hexagonal head bolt / M10X1X19,5
 M >> AAB 370 180

(10) N 90665101
 bolt, with multi-spilne socket head / M10X1X29
 M AAB 370 181>>

(10) N 90665001
 bolt, with multi-spilne socket head / M10X1X22,5 / ACV

11 023105323A
 fixture washer / automatic

12 023105301
 washer / automatic

13 054105301
 washer / 3 / automatic

(13) 054105303
 washer / 4 / automatic

14 023105329
 bush / automatic: / ACU,AEN,AAB
 hexagonal nut
 see illustration: / 323-50

(16) 074198401A
 1 set: connecting rods / AAB,ACU,AEN

(16) 074198401B
 1 set: connecting rods / ACV

(17) 028105425C
 bolt - connecting rod / M8X1X45

18 028105431C
 bush - connecting rod / ACV

(18) 028105431D
 bush - connecting rod / AAB,ACU,AEN

(19) 028105701J
 connecting rod bearing shell / lower / ACV

(19) 028105701H
 connecting rod bearing shell / upper / ACV

19 033105701
 connecting rod bearing shell / AAB

(19) 034105701
 connecting rod bearing shell / ACU,AEN
 034105701 007 yellow

(19) 028105707
 connecting rod bearing shell / lower / ACV
 / 0.25 u.s.

(19) 028105707A
 connecting rod bearing shell / upper / ACV
 / 0.25 u.s.

(19) 028105713
 connecting rod bearing shell / lower / ACV
 / 0.5 u.s.

(19) 028105713A
 connecting rod bearing shell / upper / ACV
 / 0.5 u.s.

(19) 028105719
 connecting rod bearing shell / lower / ACV
 / 0.75 u.s.

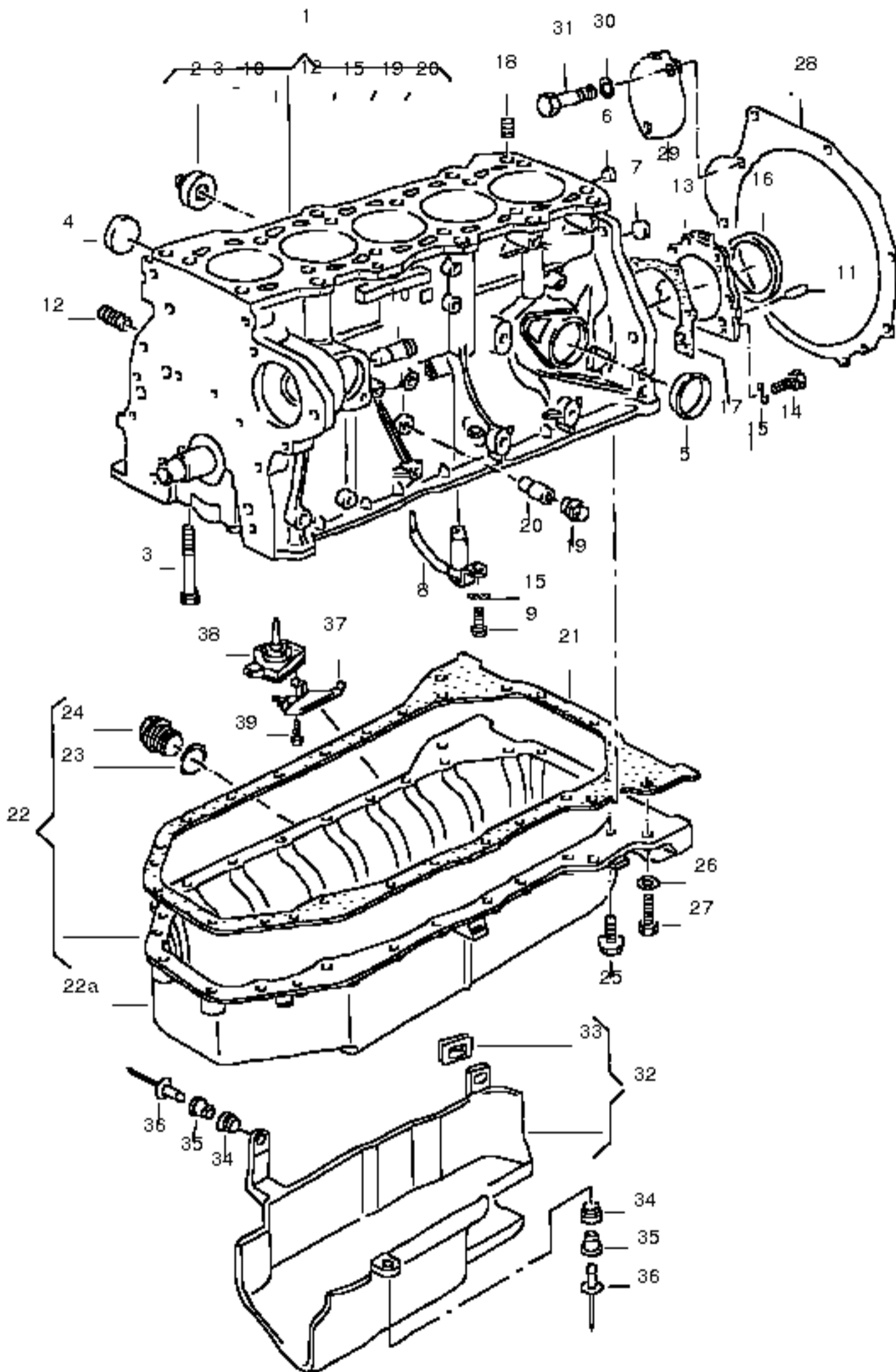
(19) 028105719A
 connecting rod bearing shell / upper / ACV
 / 0.75 u.s.

20 035198421
 1 set: thrust washers

21 034198491A
 1 set: crankshaft bearings

22 074105189F
 impulse rotor / ACV

23 053105229A
 countersunk bolt / M6X16 / ACV



cylinder block with pistons / 2.4/2.5ltr. / 5-cylinder
oil sump
cylinder block with pistons / 2.4/2.5ltr. / ACU,AEN,
oil sump / diesel eng.: / AAB,ACV

(1) -----.
discontinued / replacement: / 023 100 103 CX / ACU

(1) -----.
discontinued / replacement: / 023 100 103 BX / AEN

(1) 074103101C
cylinder block with pistons / AAB

(1) 074103101D
cylinder block with pistons / ACV

2 035103111B
union

3 N 90130001
hexagonal head bolt / AM10X80

4 059103113
locking cover / 36,6

5 074103113A
locking cover / 69,7

6 N 0119033
locking cover / 16

7 N 0119093
locking cover / A22

8 069103157D
oil spray jet / AAB,ACV

9 N 0147506
allen key head bolt / M6X10 / AAB,ACV
also use: / N 011 524 23

10 034121137
union

11 N 0432072
parallel dowel pin / 8H8X14

12 028115721
threaded union

13 068103171F
sealing flange / rear

14 N 01021612
hexagonal head bolt / M6X18

15 N 0122265
spring washer / B6X12X0,5

16 -----.
discontinued / replacement: / 068 103 171 F

17 026103181B
gasket

18 026103139
parallel dowel pin / 6M6X20

19 034103179
adapter

(20) 046103175A
valve

(20) 077103175B
valve

21 074103609F
gasket for oil sump / 1MM

(22) 074103601Q
oil sump
also use: / 074 103 609 H

- 074103609H
gasket for oil sump / 0,4MM

23 N 0438541
seal / A26X31

24 059103193
sealing plug / M26X1,5

(25) N 10080102
allen key head bolt (combi) / M6X25

- N 01152423
washer / A6,4X12,5X1,6

26 N 01152520
washer / A8,4X16X1,6

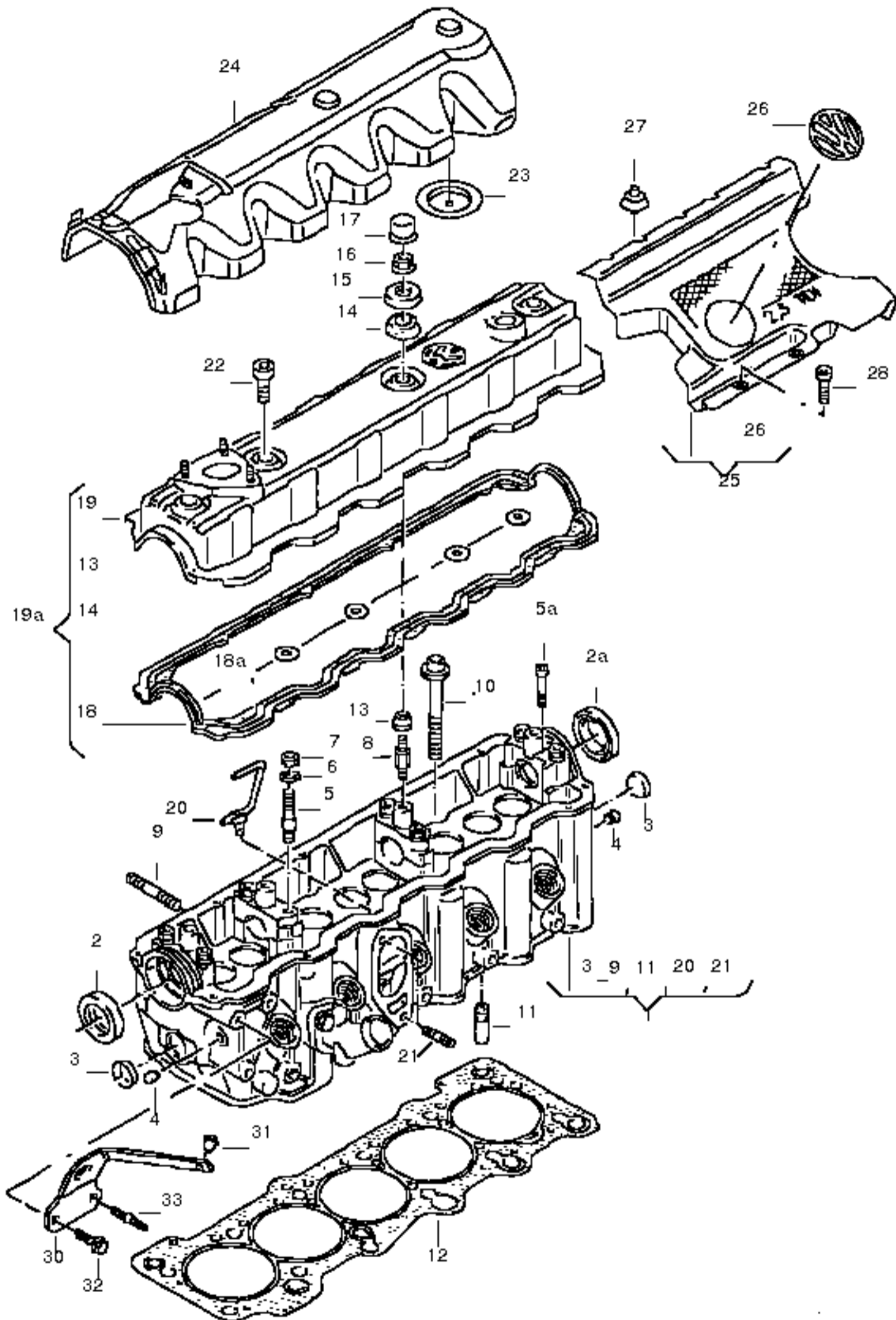
27 N 0102724
hexagonal head bolt / M8X26

28 074103647
cover panel

29 074103646
cover panel

(29) 074103648
cover panel / automatic

31 N 0402511
hexagonal head bolt / M12X60



cylinder head / 2.4/2.5ltr. / 5-cylinder
 cylinder head cover
 cylinder head / 2.4/2.5ltr. / ACU,AEN,
 cylinder head cover / diesel eng.: / AAB,ACV

(1) -----.
 discontinued / replacement: / 023 103 265 AX / ACU,AEN

- 023103265AX
 cylinder head with valves and camshaft / ACU,AEN

(1) 074103351C
 cylinder head / ACV

- 074103265EX
 cylinder head with valves and camshaft / ACV

(1) 074103351D
 cylinder head / AAB

- 074103265DX
 cylinder head with valves and camshaft / AAB

2 068103085E
 oil seal / 47X10

2A 068103085E
 oil seal / 47X10

3 N 0119142
 locking cover / 24

(3) N 0119191
 locking cover / B25
 oversize

4 056103379
 plug / 7,4

5 056103397
 stud / M8X56

5A N 0147591
 allen key head bolt / M6X35 / ACU,AEN

6 N 01155811
 washer / 8,4X15X1,6

7 N 01100830
 hexagonal nut / M8

8 028103531B
 stud / M6X12 / ACU,AEN,AAB
 also use: / 028 103 534 A

9 N 90188902
 stud / M8X35

10 068103384A
 cheese head bolt / M12X115 / ACU,AEN,AAB,
 / ACV

11 056103419A
 valve guide / 36,5MM/8MM

(12) 023103383B
 cylinder head gasket / ACU,AEN

(12) 074103383R
 cylinder head gasket (metal) / 1,53MM / ACV
 / 1 hole

(12) 074103383AH
 cylinder head gasket (metal) / 1,57MM / ACV
 / 2 holes

(12) 074103383AG
 cylinder head gasket (metal) / 1,61MM / ACV
 / 3 holes

(12) 074103383M
 cylinder head gasket (metal) / 1,53MM / AAB
 / 1 hole

(12) 074103383N
 cylinder head gasket (metal) / 1,57MM / AAB
 / 2 holes

(12) 074103383P
 cylinder head gasket (metal) / 1,61MM / AAB
 / 3 holes

15 028103536
 concave washer / ACU,AEN,AAB

16 N 90132603
 hex. nut with washer / M6 / ACU,AEN,AAB

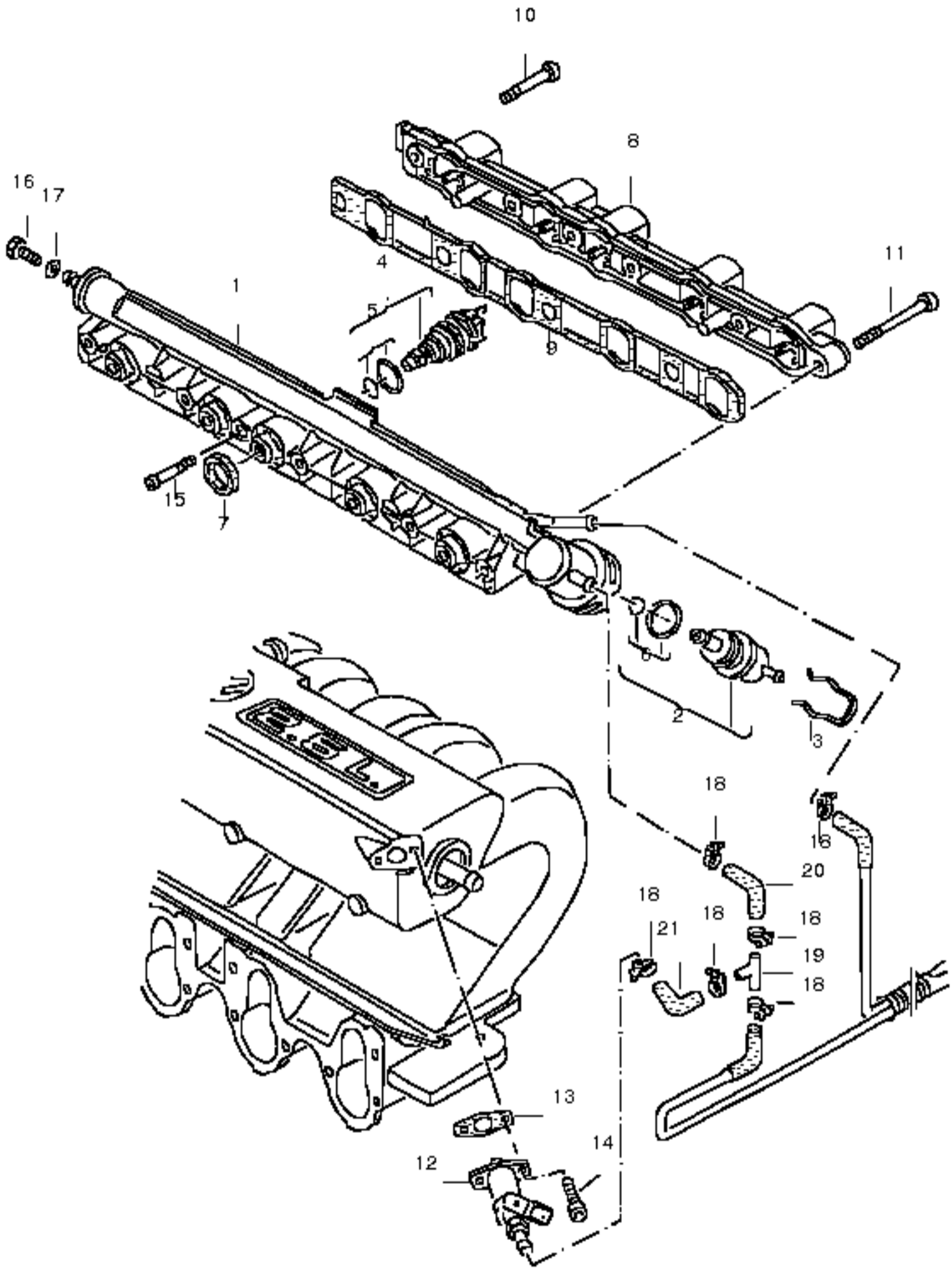
17 028103534A
 cover cap / ACU,AEN,AAB
 no replacement part / ACU,AEN,AAB

19A 074103360A
 cylinder head cover / ACU,AEN,AAB

19A 074103469F
 cylinder head cover / ACV

21 N 90008203
 stud / M8X20 / AAB,ACV

(22) N 90666601
 hexagon head bolt (combi) / M8X40-TC-U-S1 / ACV



fuel distributor / 2.5ltr. / 5 cylinder:

injector valve / ACU;

/ "CN.,"GUS":

/ AEN

1 023133322A

fuel distributor

2 037133035C

pressure regulator

3 037133047A

retaining clip

4 044906031

injector valve

5 073198031

set of gaskets for injector

6 037198031

gasket set for pressure regulator

7 037133398A

seal

8 023971766

wiring harness adapter

9 023971786

gasket

10 N 0147495

allen key head bolt / M6X40

11 N 10059801

allen key head bolt / AM6X70

15 N 0141531

fillister hd. bolt / BM5X40X25

16 N 0102017

hexagonal head bolt / M4X8

17 N 90101301

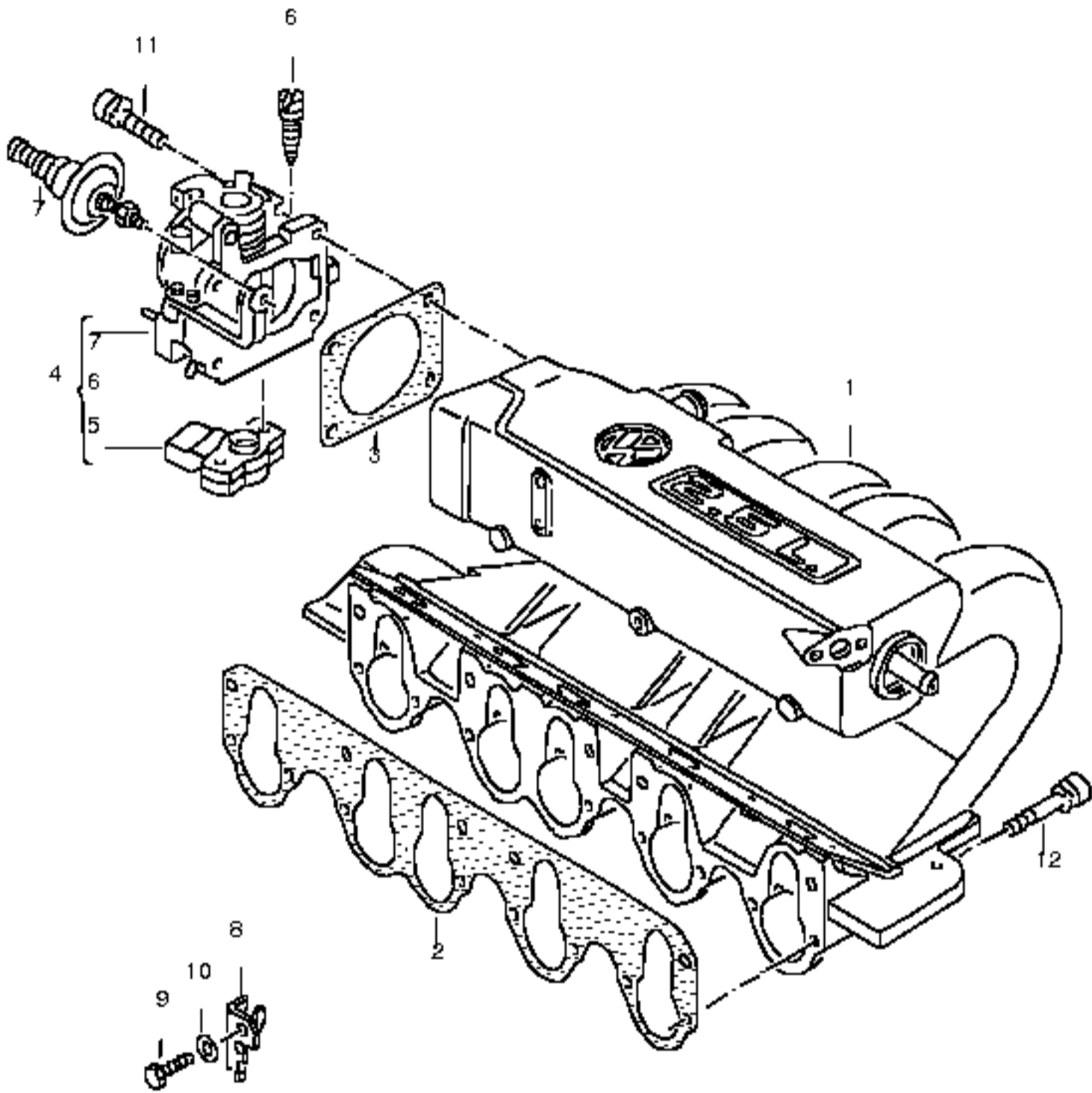
seal / A4X8

18 N 10292201

spring-type clip / A14X12

- 030133045

damper



intake system / 2.5ltr. / 5 cylinder: / ACU;
/ "CN.,"GUS":
/ AEN

(1) 023133201B
intake connection

(1) 023133201B
intake connection
for models without exhaust recirculation
also use: / N 016 156 3
/ N 013 820 6

- N 0161563
sealing plug / M16X1,5

- N 0138206
seal / C16X20

2 034129717F
gasket

3 028129748
gasket

(4) 044133061G
throttle valve adapter / automatic

(4) 044133061F
throttle valve adapter / manual gearbox

(5) 044907385A
throttle valve potentiometer / manual gearbox

(5) 037907385M
throttle valve potentiometer / automatic

- 044906017
switch with loom

8 023133243
abutment

9 N 01021527
hexagonal head bolt / M6X15

10 N 0152761
washer / 6X12X1,6

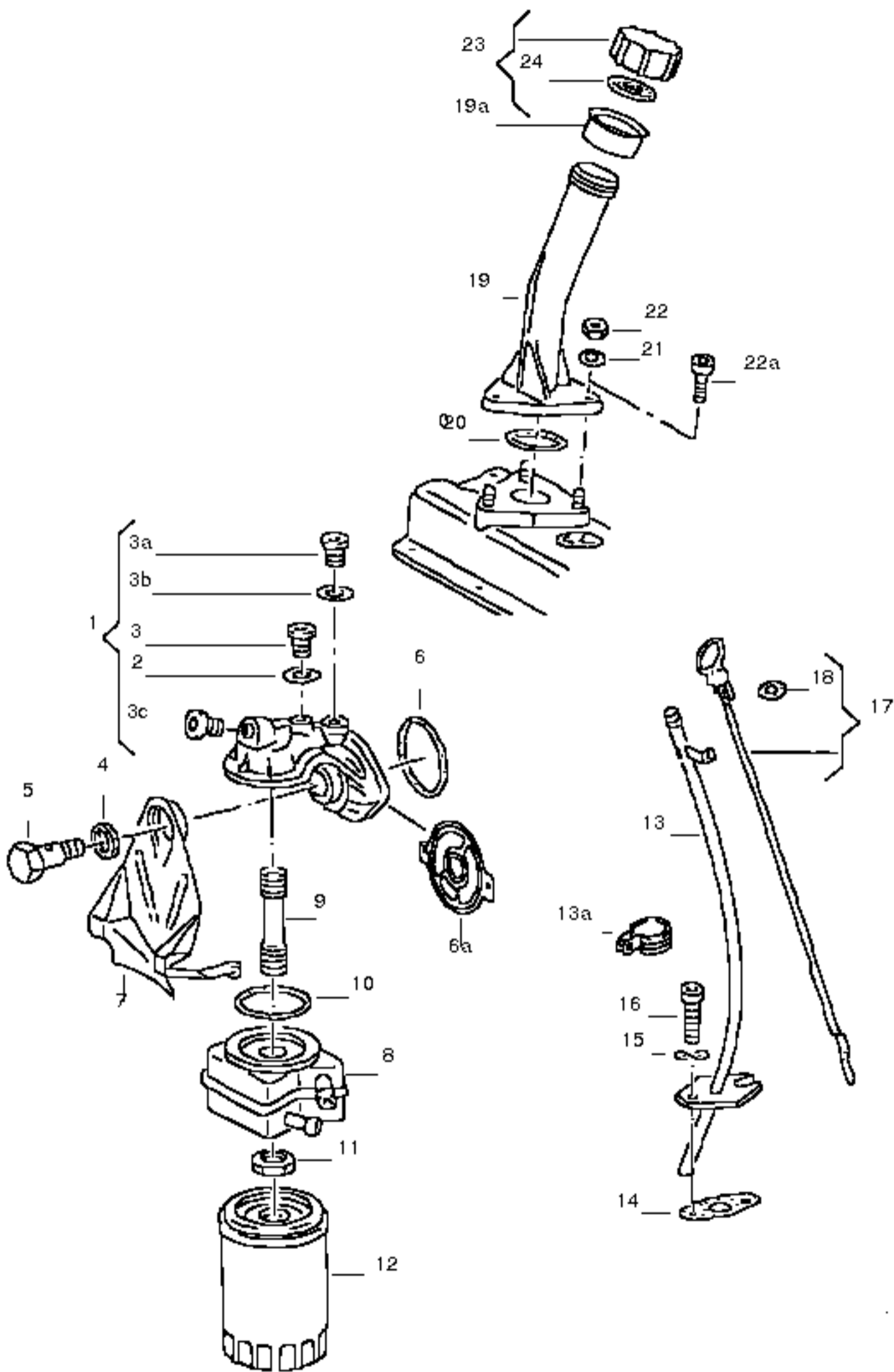
11 N 10172501
allen key head bolt (combi) / M6X22-S4-SP

12 N 90144201
allen key head bolt (combi) / M8X65Z1

(12) N 0447591
allen key head bolt / M8X95

(12) N 10011301
hexagonal head bolt / M8X140

(12) N 90452901
allen key head bolt (combi) / M8X170



oil filter bracket / 5 cylinder: oil filter / AAB,ACU,ACV,
/ AEN

1 074115405R
oil filter bracket
also use: / 074 145 771 M
/ 074 145 771 N
/ N 906 264 01
/ 074 115 441 B

- 074145771M
oil pipe / ACV

- 074145771N
oil pipe / AHY

- N 90626401
banto bolt / M12X1,5

- 074115441B
gasket

2 N 0138115
seal / A10X13,5

3 N 0160241
sealing plug / M10X1

3C N 90565701
sealing plug / M16X1,5X14,5

4 N 0438541
seal / A26X31

5 075115443
banto bolt

6 076117069A
round seal / 65X3

7 074115517A
oil drip tray / AAB,ACU,AEN
/ ACV

8 068117021B
oil cooler

(8) 068117021BX
oil cooler

9 028115721
threaded union

10 038117070A
seal / 59X5

11 068115723
hexagonal nut

(12) 074115561
oil filter

(13) 023115630B
tube for oil dipstick / AAB,ACU,AEN

(13) 074115630N
tube for oil dipstick / ACV

14 035145757C
gasket

15 N 0122283
spring washer / B8X17X0,8

16 N 0147791
allen key head bolt / M8X20

(17) 074115611H
oil dipstick

18 N 0282241
round seal / 5,0X2

19 044115308A
oil filler pipe / AAB,ACU,AEN

(19) 074115308E
oil filler pipe / ACV

20 N 90344501
round seal / 45X3 / AAB,ACU,AEN

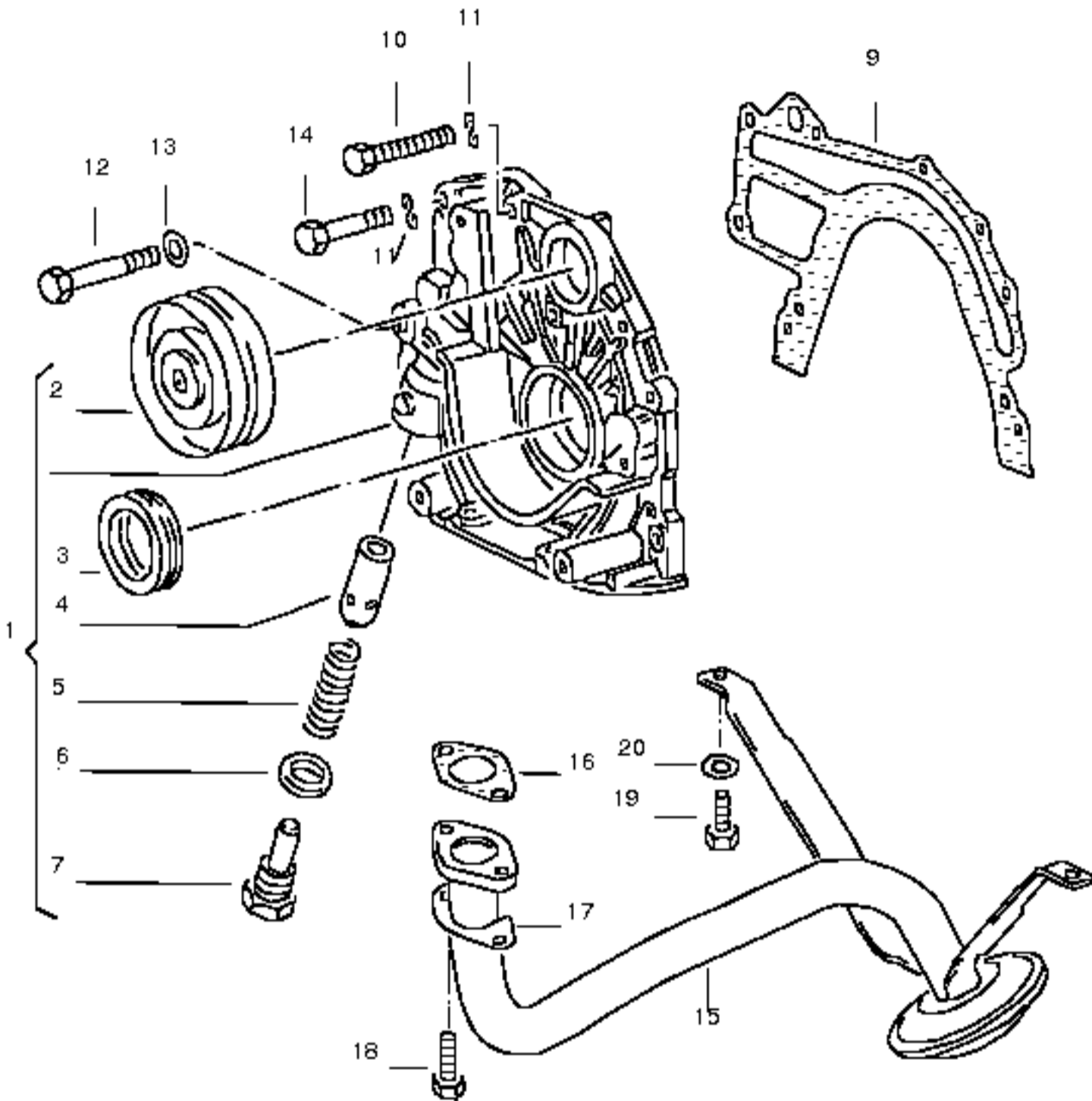
(20) N 90466301
round seal / 30X3,5 / ACV

21 N 90207601
washer / A6,4X17X1,6

22 N 01100624
hexagonal nut / M6

23 070115311
locking cover

24 070115331
gasket



oil pump / 5 cylinder:
/ AAB,ACU,ACV,
/ AEN

(1) 074115105B
oil pump

3 038103085E
oil seal / 35X48X10

4 078115411
piston

5 069115421B
pressure spring

6 N 0138272
seal / A22X27

7 069115431B
sealing plug

9 074115189B
gasket

(10) N 10205601
hexagon head bolt (combi) / M6X32-U-S1

- N 10005007
hexagon head bolt (combi) / M6X30-Z1

11 N 0122265
spring washer / B6X12X0,5

12 N 0102213
hexagonal head bolt / M6X35

13 N 0154041
washer / 6,4

(14) N 10157902
hexagonal head bolt / M6X25

- N 01166615
washer / 6,4X18X1,6

- N 0122265
spring washer / B6X12X0,5

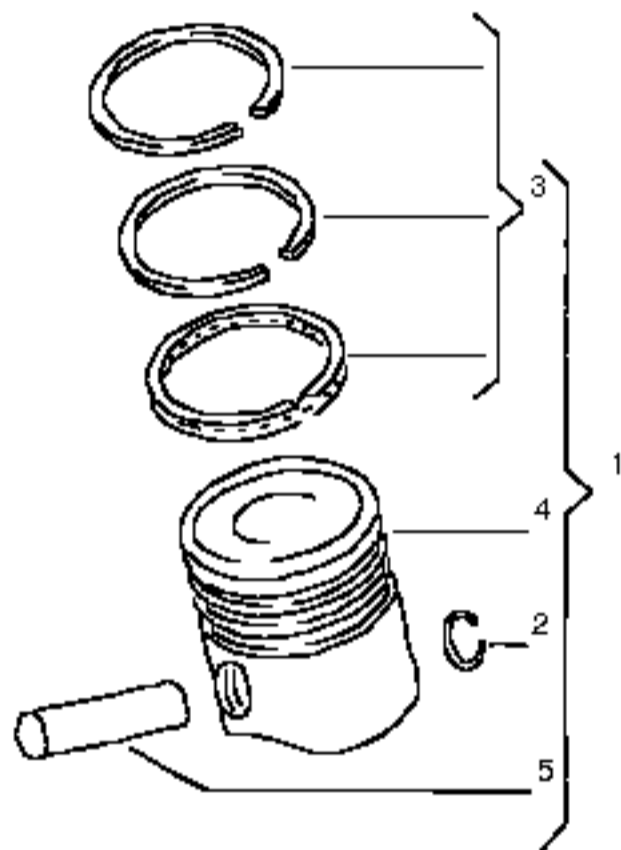
(15) 074115251G
suction line

(16) 034115427C
round seal / 26,5X2

(18) N 0143441
bolt, hex. hd. with shoulder, self-locking / M6X18

19 N 01021226
hexagonal head bolt / M6X12

20 N 0152761
washer / 6X12X1,6



piston

piston ring

(1) 028107065CF

piston complete / AAB

/ KS / 1X

028107065CF001

blue / 79,48

028107065CF003

pink / 79,5

(1) 028107065CC

piston complete / ABL

028107065CC001

blue / 79,48

028107065CC003

pink / 79,5

(1) 044107065H

piston complete / 81 / AAC

/ AEN

(1) 023107065A

piston complete / 81 / ACU

(1) 074107065B

piston complete / cylinders 1,2 / ACV

074107065B 001

blue / 80,96

(1) 074107065C

piston complete / cylinders 3-5 / ACV

074107065C 001

blue / 80,96

(1) 028107081

piston complete (oversize) / 80 / 1X,AAB

(1) 028107081H

piston complete (oversize) / 80 / ABL

(1) 044107081

piston complete (oversize) / 81,5 / AAC

2 N 0122771

securing ring / C24X1,5 / AAC,AAB,ACU,

/ AEN,1X

(2) N 10133301

snap ring / C26X1,5 / ABL

(2) 046107441

snap ring / 30X1,2 / ACV

3 038198151

1 set: piston rings / 79,5 / 1X,AAB,ABL

(3) 044198151

1 set: piston rings / 81 / AAC,ACU,AEN

(3) 074198151

1 set: piston rings / 81 / ACV

(3) 028198153A

1 set: piston rings (oversize) / 79,75 / 1X,AAB

(3) 044198153

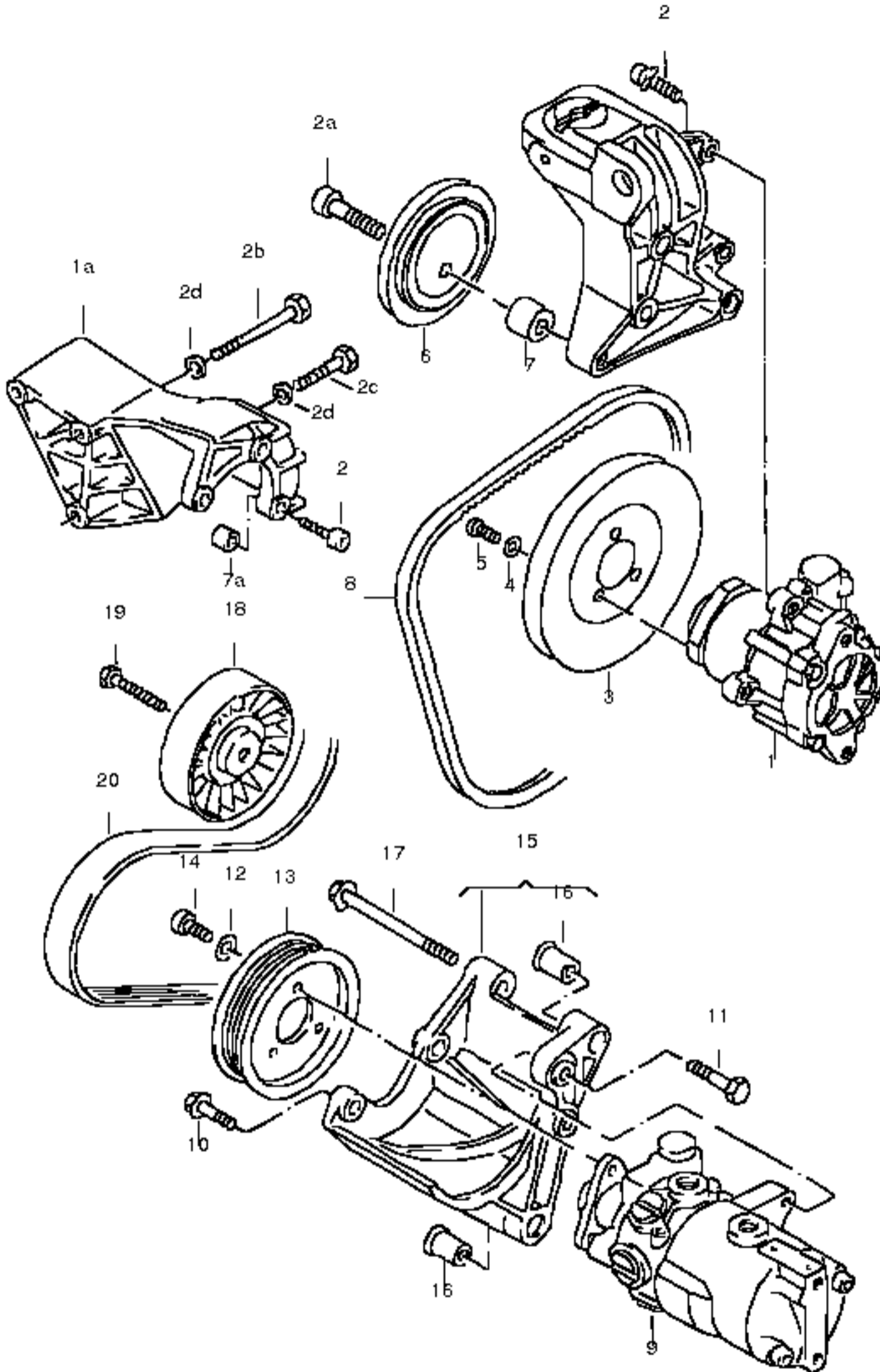
1 set: piston rings (oversize) / 81,25 / AAC

(3) 028198155A

1 set: piston rings (oversize) / 80 / 1X,ABL,AAB

(3) 044198155

1 set: piston rings (oversize) / 81,5 / AAC



vane type pump / 2.4/2.5ltr. / 5-cylinder
 for power steering
 supplementary hydraulic pump
 vane type pump / 2.4/2.5ltr. / 5 cylinder:
 for power steering / ACU
 / "CN ", "GUS": / AEN;
 / diesel eng.: / AAB, ACV

1 044145157AX
 vane type pump

1A 074145167H
 vane pump retainer / ACU, AEN, AAB
 ONLY FOR BASIC IMPULSE

(1A) 074145167C
 bracket for alternator / ACV
 ONLY FOR BASIC IMPULSE
 see illustration: / 903-62 POS.15

(1A) 074145167C
 bracket for alternator
 for models with power take-off
 for models with additional hydraulic pump, a/c compressor or 2nd alternator
 see illustration: / 903-62 POS.15

(2) N 0147135
 allen key head bolt / M8X35

(2) N 90342402
 allen key head bolt (combi) / M8X32

2A N 0447062
 allen key head bolt / M10X40

2B N 0104962
 hexagonal head bolt / M10X120

(2C) N 0402811
 fitted bolt / M10X45
 for models with hydraulic pump
 and/or
 for models with 2nd alternator
 and/or
 refrigerant compressor

(2C) N 0402811
 fitted bolt / M10X45 / ACU, AAB, AEN

2C N 0104707
 hexagonal head bolt / M10X70 / ACU, AAB, AEN

2D N 01152711
 washer / A10,5X21X2

(3) 074121031
 pulley

4 N 01152520
 washer / A8,4X16X1,6

5 N 0147067
 allen key head bolt / M8X12

(6) 074145278E
 relay roller / 90

(7) 074145258B
 spacer sleeve / 18,3MM / AAB

7A 068903147H
 bush / 8,4X18X19,5

(8) 074145933N
 ribbed v-belt / 21,36X1343MM / ACU, AEN, AAB

(8) 074145933AK
 ribbed v-belt / 21,36X1767MM / ACV

supplementary hydraulic pump / 2.4/2.5ltr. / 5 cylinder:
 / ACU, AEN,
 / diesel eng.:
 / AAB, ACV

9 068145155B
 supplementary hydraulic pump

10 N 01024222
 hexagonal head bolt / M8X25

11 N 0147135
 allen key head bolt / M8X35

12 N 01152520
 washer / A8,4X16X1,6

(13) 074145235
 pulley

14 N 0147074
 allen key head bolt / M8X15

15 074145261A
 retainer

16 028260921A
 threaded bush

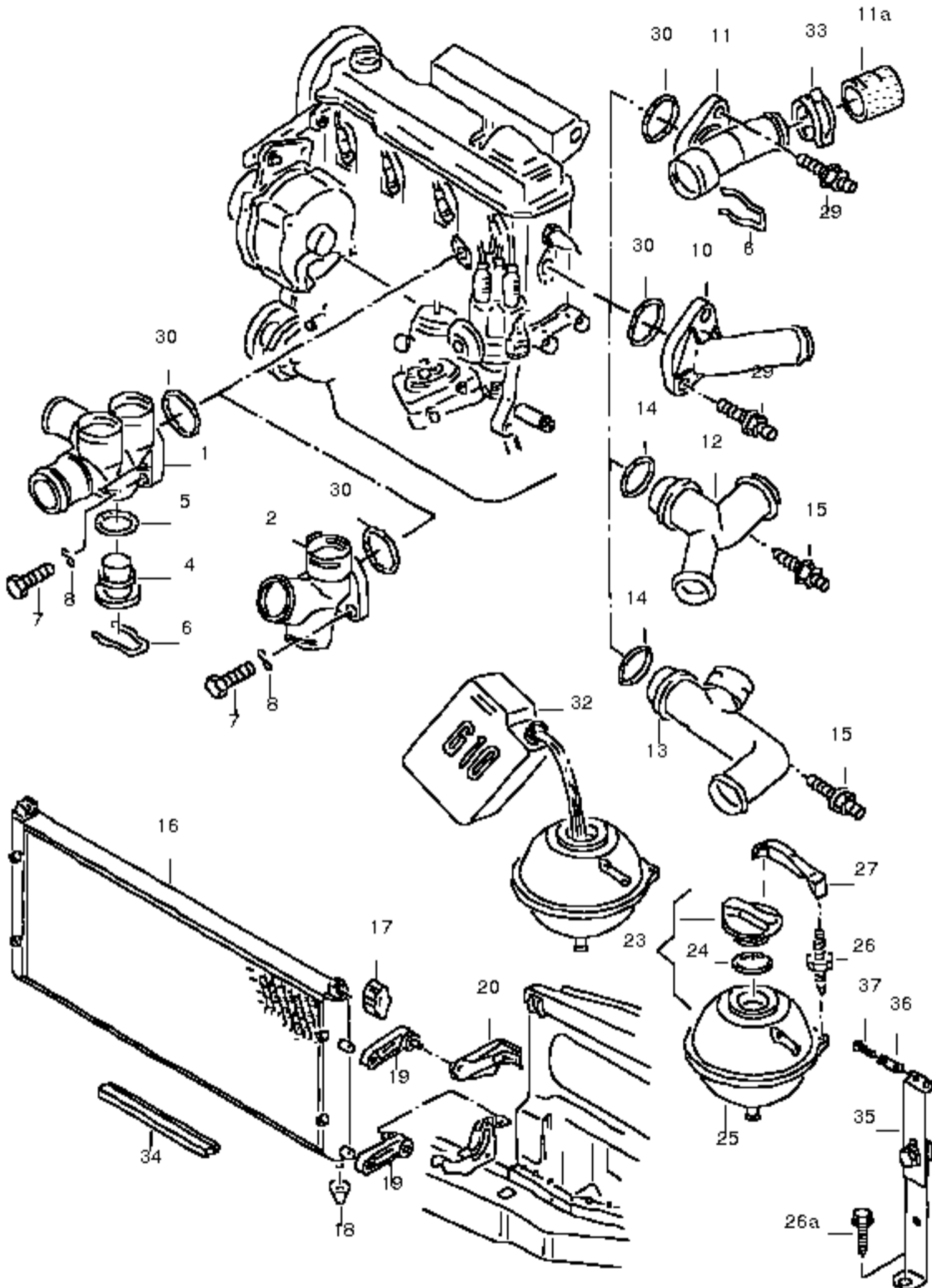
17 N 10102803
 hexagonal head bolt / BM8X98-PC

18 074145278E
 relay roller / 90

19 N 0102706
 hexagonal head bolt / M8X40

(20) 074260849J
 ribbed v-belt / 21,36X2130MM
 for models with additional hydraulic pump

(20) 074145933AK
 ribbed v-belt / 21,36X1767MM



radiator / 4 cylinder:

expansion tank / ABL,AAC,1X

flange / 5 cylinder:

/ AAB,ACU,ACV,

/ "CN.", "GUS":

/ AEN

(1) 037121133C

flange / AAC

(1) 037121132B

flange with sealing ring / AAC

for vehicles with air condit.

(1) 068121132

flange with sealing ring / ABL,1X

2 074121132

flange / AAB,ACU,AEN,

/ ACV

5 N 90316802

round seal / 19,6X3,6 / ABL

6 032121142

retaining spring

7 N 0102228

hexagonal head bolt / M6X22

8 N 0122265

spring washer / B6X12X0,5

(10) 044121144B

flange with sealing ring / AAC,ABL,1X

11 044121144C

flange with sealing ring / AAC,ABL,1X

for models with supplementary heater

(11) 074121145B

flange / ACV

12 074121143D

flange / AAB,ACU,AEN

13 074121143E

flange / AAB,ACU,AEN

for models with supplementary heater

14 N 90465001

round seal / 23X2,6-N / AAB,ACU,AEN

15 N 90506001

double stud with hexagon drive / M8X24 / AAB,ACU,AEN

(16) 701121253D

radiator / 720X380MM / AAC

(16) 701121253K

radiator / 720X380MM / AAB,ABL,ACU,

/ AEN,ACV,1X,

/ air condit.: / AAC

17 701121275

rubber seal

(18) 701121276B

grommet

19 701121565

intermediate piece

20 701121633B

retainer / left

(20) 701121634A

retainer / right

23 1H0121321C

locking cover / AAC,AAB,ACU,

/ AEN

(24) 1H0121687A

round seal / 28,5X3,8

25 701121407B

expansion tank / -G11-

26 N 90614001

double stud with hexagon drive / 3X24/M6X15,5

27 357121422

cover cap

29 027121631A

double stud with hexagon drive / M6X22/M6X14 / AAC,ABL,1X

(29) N 90506001

double stud with hexagon drive / M8X24/M6X10 / ACV

30 037121687

seal / 36X3,15 / AAB,ACU,AEN,

/ AAC,ABL,1X

(30) N 90465001

round seal / 23X2,6-N / ACV

- 701971848H

clip

32 G 011A8CA1

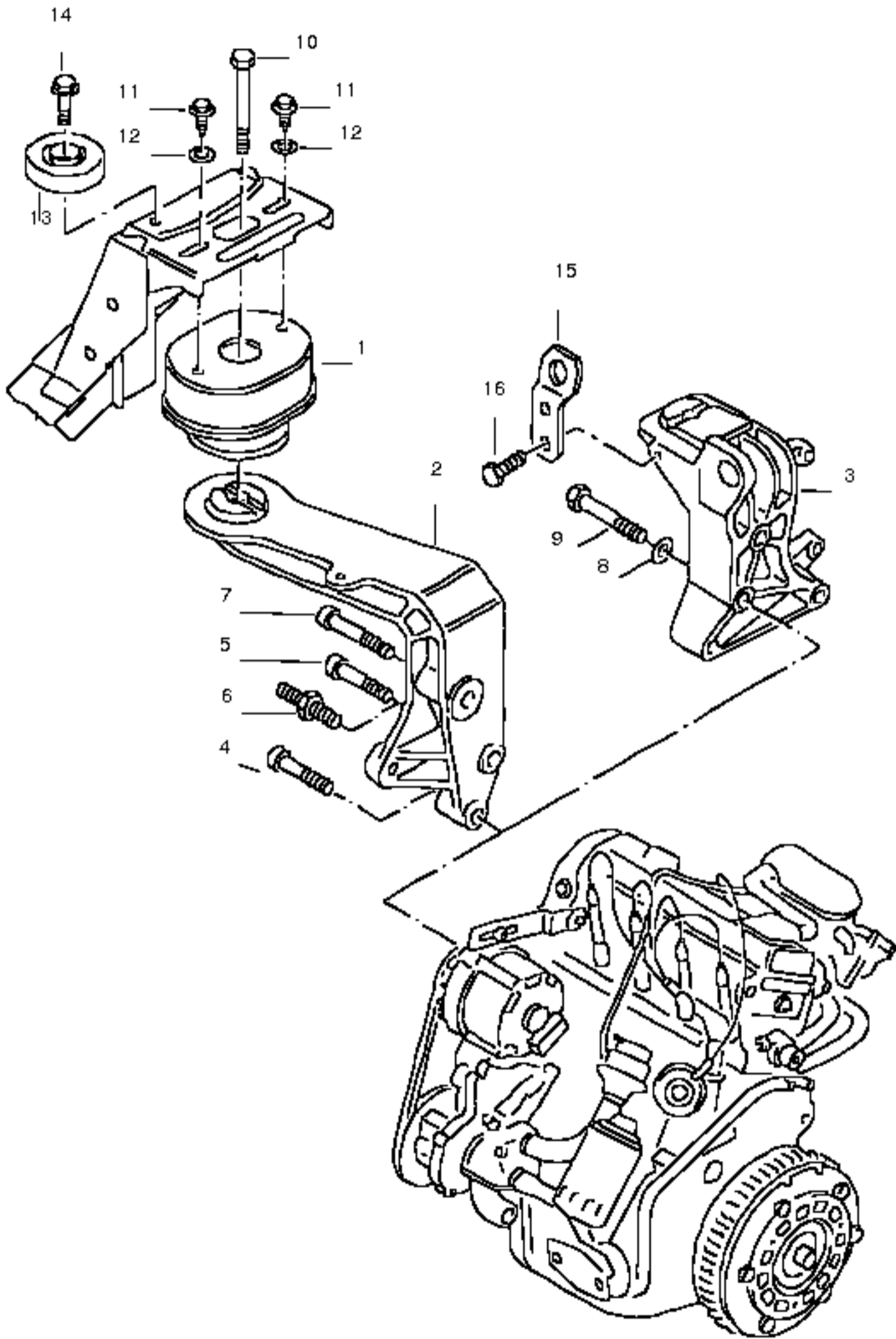
coolant additive / 1.5ltr.

(32) G 011A8CA8

coolant additive / 55 ltr.

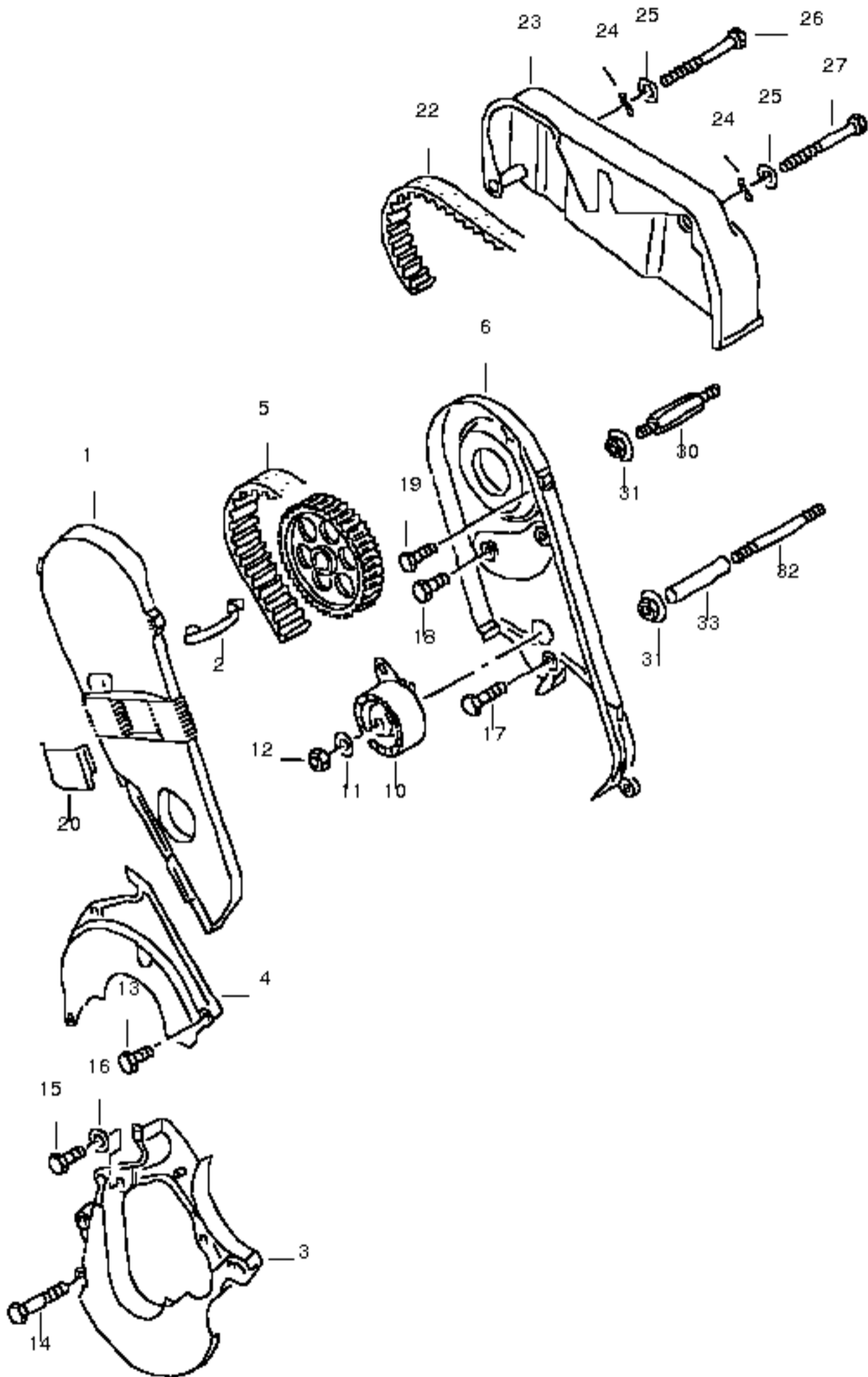
34 701121229

gasket / 250MM



securing parts for engine

- (1) 701199201G
bonded rubber mounting / 4 cylinder
- (1) 701199201H
bonded rubber mounting / 5 cylinder: / AAB,ACU,AEN
- (1) 7D0199132E
hydro-mounting / right / ACV
- 2 044199207G
support / right / 4-cylinder/
/ manual- gearbox: / AAC,1X
- (2) 028199207E
support / right / 4 cylinder: / ABL
- (2) 044199205
support / air condit./
/ manual- gearbox: / AAC
for models with 2nd alternator / manual- gearbox: / AAC
- (2) 044199207J
support / right / automatic: / 4 cylinder
- (3) 074199205B
support / right / 5 cylinder: / ACU,AEN,AAB
also use: / 028 903 313
- (3) 074199205B
support / right / 5-cylinder/
/ automatic: / ACV
also use: / 028 903 313
- 028903313
sliding sleeve
- (3) 074199207M
support / right / manual- gearbox: / ACV
also use: / 074 103 390 G
/ N 010 240 22
- 4 N 90668201
bolt, with multi-spilne socket head / M10X48 / 4 cylinder
- 5 N 90668201
bolt, with multi-spilne socket head / M10X48 / 4 cylinder
- 7 N 90446201
bolt, with multi-spilne socket head / M10X68 / 4 cylinder
- (7) N 10194702
allen key head bolt / M10X58 / air condit.
for 2nd alternator
- (7) N 10194702
allen key head bolt / M10X58 / ABL
- 9 N 0104553
hexagonal head bolt / M10X55 / 5 cylinder: / AAB,ACU,AEN
- (9) N 10136101
hexagon head bolt (combi) / M10X60 / 5 cylinder: / ACV
- 10 N 10220401
hexagon head bolt c/w shoulder / BM10X80
- (10) N 10234204
hexagon head bolt c/w shoulder / M10X40 / ACV
- 11 N 01024016
hexagonal head bolt / M8X20
- (11) N 90736601
hexagon nut, shouldered / M10 / ACV
- 12 N 01167016
washer / 8,4X24X2
- 13 7D0199503C
balance weight / left/right / ACV
- (14) N 01100830
hexagonal nut / M8 / ACV
balance weight / left
- 14 N 01023911
hexagonal head bolt / M8X18 / ACV
balance weight / right



toothed belt / 2.4/2.5ltr. / 5-cylinder

toothed belt cover

toothed belt / 2.4/2.5ltr. / ACU,AEN

toothed belt cover / diesel eng.:

/ AAB,ACV

1 074109107K

toothed belt cover / upper

also use: / 074 109 164 A

/ 431 971 908

2 026109150A

spring clamp

3 074109121C

toothed belt cover / lower

4 074109127Q

toothed belt cover / center

5 074109119R

toothed belt / Z=122 / AAB,ACU,AEN,

/ ACV

6 074109157C

toothed belt cover / inner

adapt with workshop equipment

10 074109243C

tensioning roller / ACU,AEN

(10) 074109243F

tensioning roller / AAB,ACV

(12) N 0103771

hexagonal head bolt / M8X62

13 N 90529301

hexagonal head bolt / M6X10

14 N 0103771

hexagonal head bolt / M8X62

15 N 10205601

hexagon head bolt (combi) / M6X32-U-S1

16 N 01152423

washer / A6,4X12,5X1,6

17 N 0102695

hexagonal head bolt / M8X38

18 N 0102935

hexagonal head bolt / M8X16

19 N 01021612

hexagonal head bolt / M6X18

20 074109164

protective plate / 37,5MM

(20) 074109164A

protective plate / 42,5MM

22 074130113

toothed belt / Z=77 / AAB

(22) 074130113J

toothed belt / ACV

23 046130133B

toothed belt cover / AAB

(23) 074130133C

toothed belt cover / ACV

24 N 01224110

spring washer / B8X15X0,8 / AAB

25 N 01152520

washer / A8,4X16X1,6 / AAB

(25) N 01152520

washer / A8,4X16X1,6 / ACV

26 N 01036112

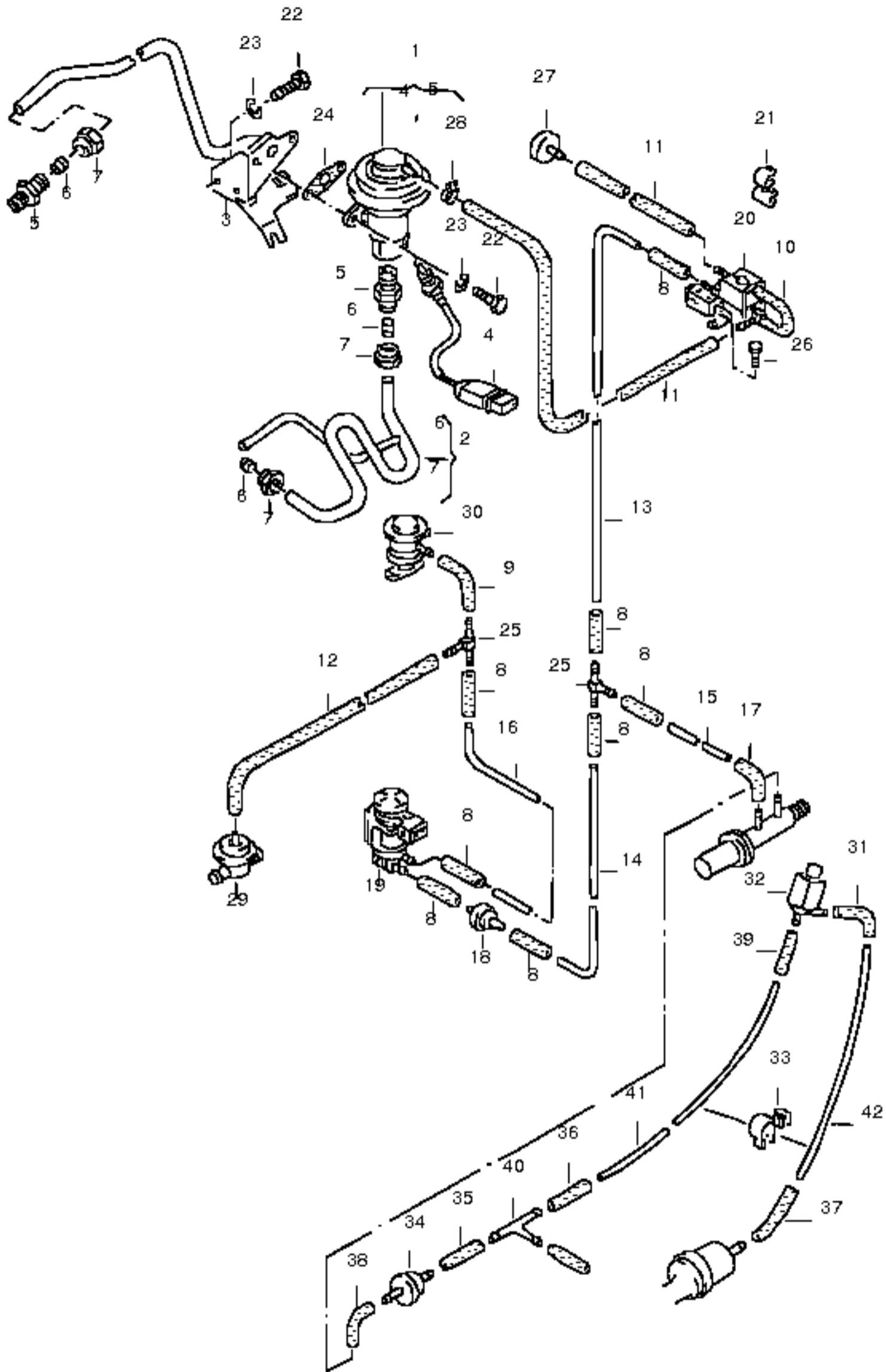
hexagonal head bolt / M8X65 / AAB,ACV

(27) N 01036112

hexagonal head bolt / M8X65 / ACV

27 N 01035210

hexagonal head bolt / M8X55 / AAB



vacuum system / 2.5ltr. / 5 cylinder:
 for vehicles with electronically regulated air condit. / ACU
 / 2.4ltr. / 5-cylinder/
 / diesel eng.
 / AAB

31 034133784
 angled hose / 3,5MM

32 028906283
 solenoid change-over valve / black

33 N 10281001
 retainer, swivelling / A01-22XC01-5
 / 2 point

34 433862117
 non-return valve / ACU

- N 0203535
 hose in coils of 5m 'order unit 5' / 3,5X2
 shorten to: / 40MM / ACU
 / rhd
 shorten to: / 80MM / AAB
 / rhd

- N 0203535
 hose in coils of 5m 'order unit 5' / 3,5X2
 shorten to: / 40MM / ACU
 / rhd
 shorten to: / 200MM / AAB
 shorten to: / 40MM
 shorten to: / 115MM / ACU
 / lhd

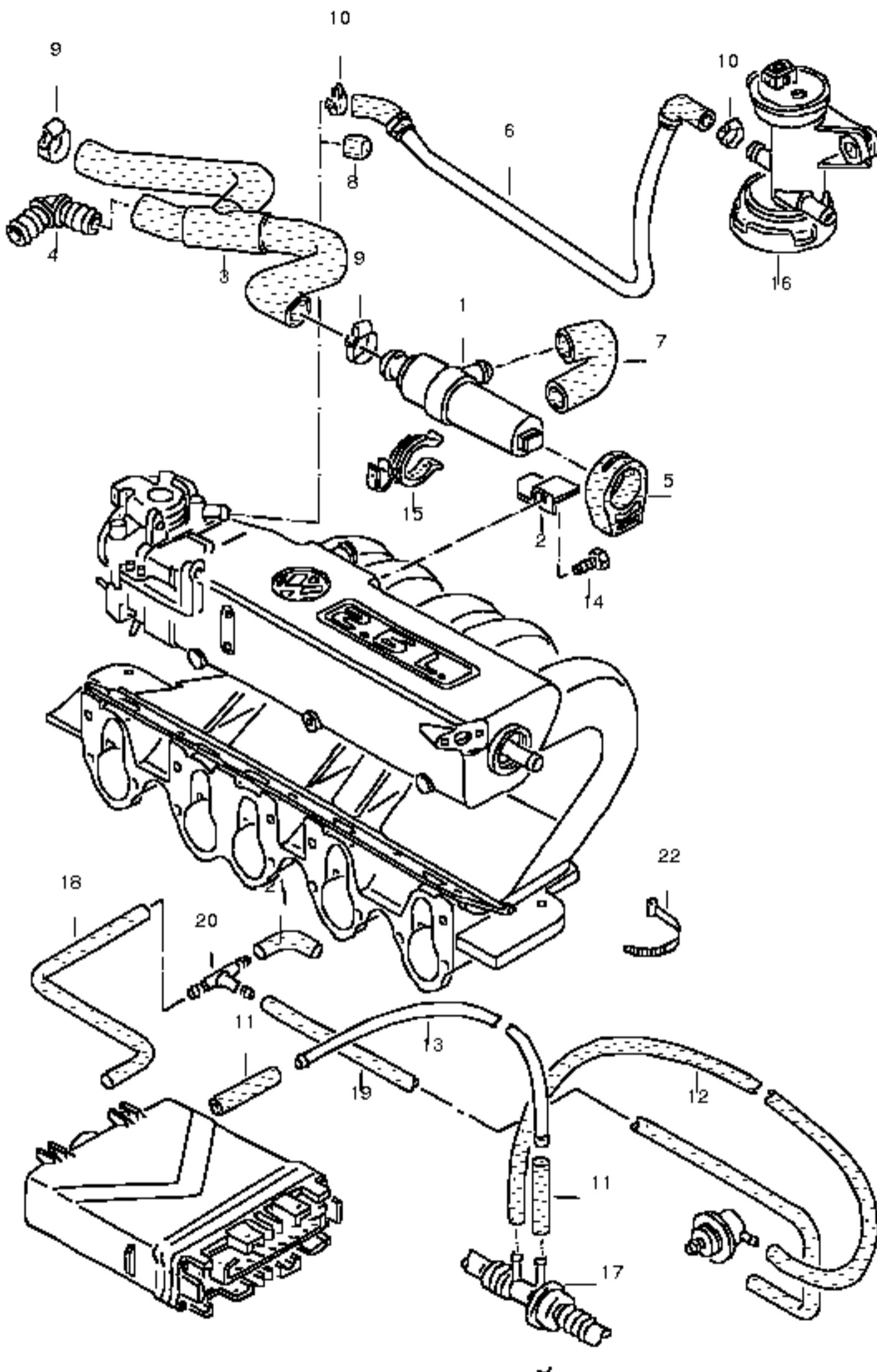
(38) 034133784
 angled hose / 3,5MM
 / rhd / ACU
 / lhd / AAB

- N 0203535
 hose in coils of 5m 'order unit 5' / 3,5X2
 shorten to: / 40MM / ACU
 / rhd

(39) 034133784
 angled hose / 3,5MM / ACU
 / lhd

40 113201943B
 t-piece / 4/4/4

- N 0201391
 tube in coils of 5m 'order unit 5' / 4X1
 shorten to: / 370MM / ACU
 / rhd
 shorten to: / 830MM



vacuum system / 2.5ltr. / 5 cylinder:
activated carbon filter system / ACU;
/ "CN.", "GUS":
/ AEN

1 037906457C
control valve for idling stabilization

2 023133336A
retainer

3 023133383
hose / lhd

(3) 023133383A
hose / rhd

4 069129631
angled elbow / 22MM

5 027133459A
support

6 023133518
connecting pipe

7 023133606B
connecting hose

8 049133335
cap / 10MM

9 N 10258101
pipe clip / AL23-35

10 N 10258201
pipe clip / AL12-22

- N 0203535
hose in coils of 5m 'order unit 5' / 3,5X2
shorten to: / 130MM
shorten to: / 900MM

14 N 01021527
hexagonal head bolt / M6X15

15 044133687
bracket for hose / 28X10MM

16 023906281
valve

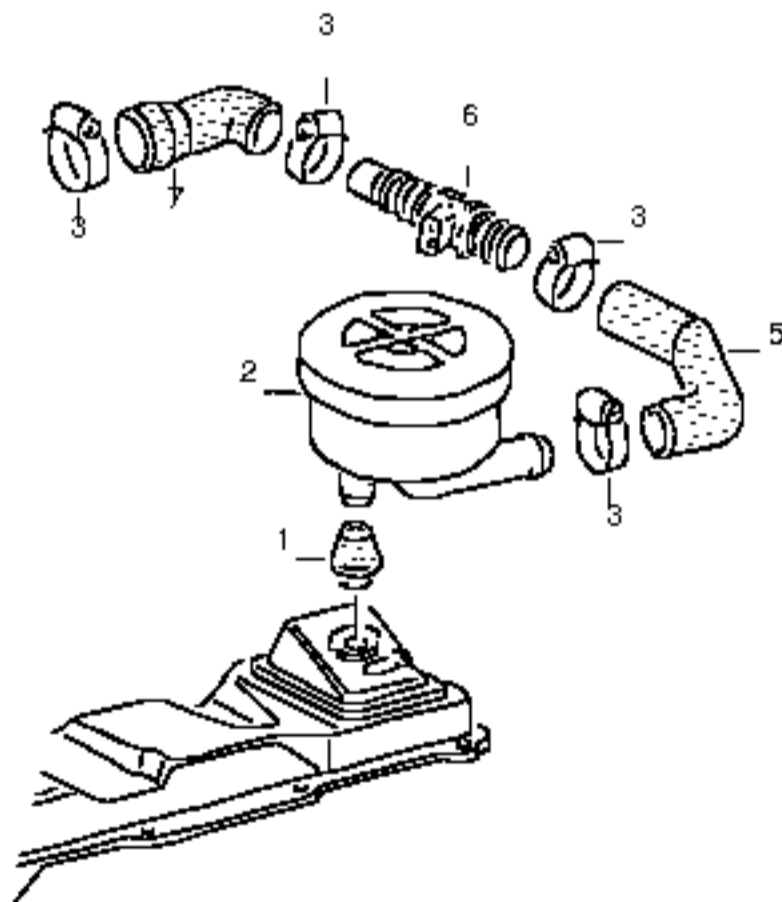
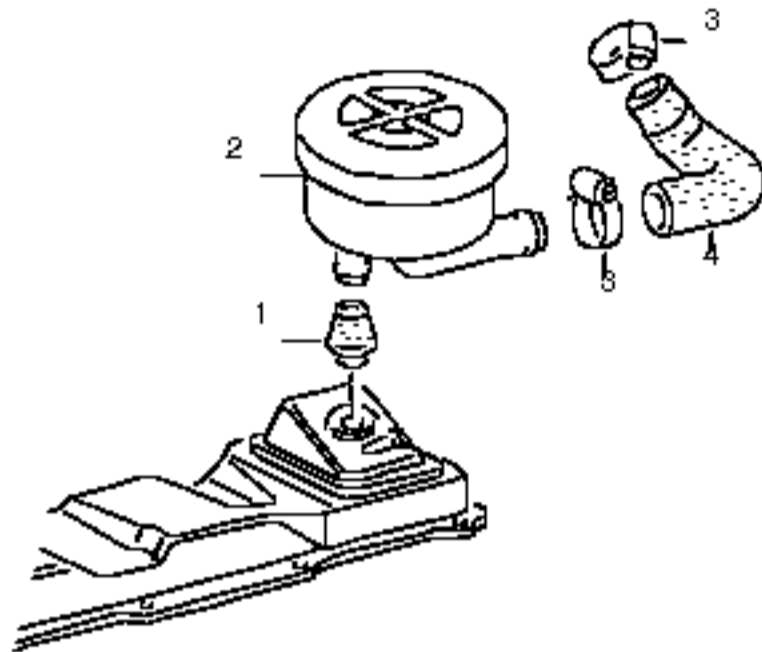
- 701906437A
retaining panel
see illustration: / 611-70

- N 0203535
hose in coils of 5m 'order unit 5' / 3,5X2
shorten to: / 1200MM
shorten to: / 150MM

20 113201943B
t-piece / 4/4/4

21 034133784
angled hose / 3,5MM

22 N 90666101
cable tie / 4,5X200



ventilation for cylinder head cover / 2.4/2.5ltr. / 5-cylinder
ventilation for cylinder head cover / 2.4/2.5ltr. / ACU,AEN,
/ diesel eng.:
/ AAB,ACV

1 028103500
gasket

(2) 023129101
pressure regulating valve / ACU,AEN

2 074129101
pressure regulating valve / AAB,ACV

3 N 10258101
pipe clip / AL23-35

(4) 023103493B
air hose / ACU,AEN

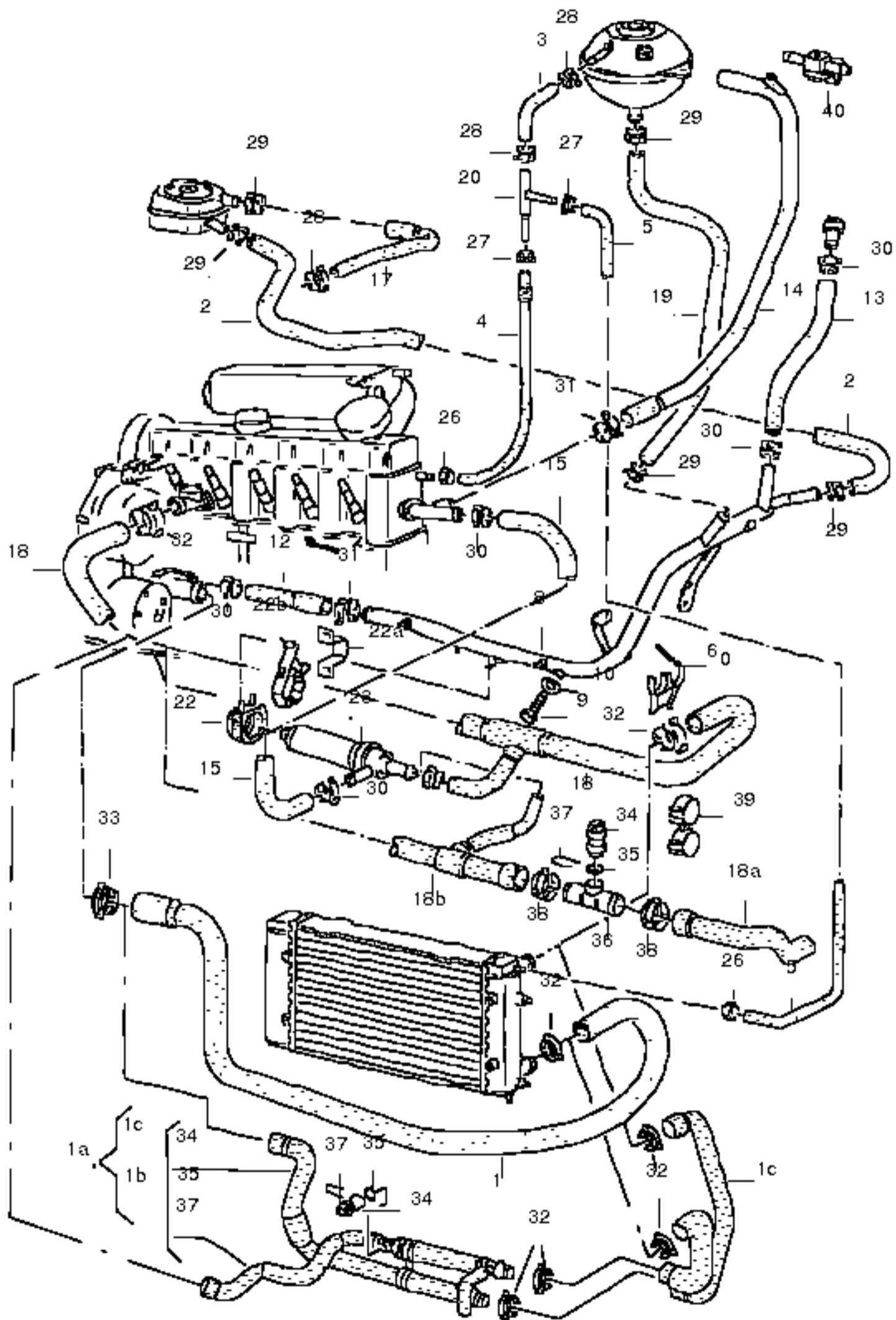
4 074103493B
breather hose / AAB

(4) 074103493E
breather hose / ACV

5 074103494
breather hose / AAB
for vehicle use in cold climates

6 037906391
heater pipe / AAB
for vehicle use in cold climates

7 074103493C
breather hose / AAB
for vehicle use in cold climates



water hoses and pipes / 2.4/2.5ltr. / 5 cylinder:

/ ACU,
/ "CN","GUS":
/ AEN,
/ diesel eng.:
/ AAB

(1) 074121051D
water hose
(radiator > water pump)

2 074121058B
water hose
(oil cooler > water pipe)

(2) 074121058E
water hose / automatic
(at fluid cooler > water pipe)

(2) 074121058C
water hose / automatic
(gearbox oil cooler > oil cooler)

3 074121060
water hose
(reservoir > adapter)

(4) 074121063D
water hose
(adapter > cylinder head)

- 701971848D
retainer, swivelling / 14/25

5 044121060L
breather hose
(adapter > radiator)

(6) 074121093C
holder - hose

(8) 074121065AA
water pipe

(8) 074121065AB
water pipe
for models with supplementary heater

(8) 074121065AG
water pipe / automatic

(8) 074121065AD
water pipe / automatic
for models with supplementary heater

9 N 0102376
hexagonal head bolt / M8X12

10 N 90226701
seal / A8X14

12 074121063
water hose
(water pump > water pipe)

13 074121073Q
water hose
(heater valve > water pipe)

(13) 074121073E
water hose / AAB
(solenoid valve > water pipe)
for models with supplementary heater

(13) 044121073AB
water hose / ACU,AEN
(solenoid valve > water pipe)
for models with supplementary heater

14 074121073L
water hose
(flange > heat exchanger)

(14) 074121073N
water hose / ACU,AAB,AEN
(flange > t-piece)
for vehicles with 2nd heat exchanger

(14) 074121073AA
water hose / ACU,AAB,AEN
(flange > t-piece)
for vehicles with 2nd heat exchanger
for vehicles with electronically regulated air condit.

(15) 074121073T
water hose
(flange > addit. water pump)

17 074121096D
water hose
(oil cooler > cylinder block)

(18) 074121101H
water hose
(flange > radiator > additional water pump)

(18) 074121101N
water hose / AAB
(flange > radiator > additional water pump)
for models with towing facility

(18) 074121086E
water hose / AAB,AEN,ACU
(flange > radiator > additional water pump)
for vehicles with electronically regulated air condit.

18A 074121101J
water hose / ACU,AEN
for vehicles with air condit.

18B 074121101K
water hose / ACU,AEN
for vehicles with air condit.

18A 074121101L
water hose / AAB
for vehicles with air condit. / automatic: / ACU,AEN

18A 074121101L
water hose / AAB
for vehicle use in cold climates

18B 074121101M
water hose / AAB
for vehicles with air condit. / automatic: / ACU,AEN

18B 074121101M
water hose / AAB
for vehicle use in cold climates

19 074121109A
water hose
(expansion chamber > water pipe)

20 074121438C
junction

(22) 021959209
rubber mount.with locat.device

(23) 251965561B
additional water pump

26 N 10083401
clamp / 14,8X6X1

27 N 10098701
spring-type clip / 13

28 N 0164011
spring-type clip / 19

29 N 0164021
spring-type clip / 23

30 N 0164031
spring-type clip / 27

31 N 0164041
spring-type clip / 32

32 N 0164101
spring-type clip / 40

33 N 0164091
spring-type clip / 47

- N 0206901
pipe clip / B20X28GI / AAB

- N 01021527
hexagonal head bolt / M6X15 / AAB

- N 01152423
washer / A6,4X12,5X1,6 / AAB

34 701919369E
thermal switch / 105/112C 20MM
for switching off air conditioner / 106/102C
/ 4 pin
for trailer towing / green
/ 3 stages

34 701919369E
thermal switch / 105/112C 20MM
for vehicles with electronically regulated air condit. / 106/102C
/ 4 pin
/ green
/ 3 stages

(34) 701919369F
thermal switch / 105/112C 20MM / "IL.":AAB
for switching off air conditioner / 100/96C
/ 4 pin
for vehicle use in warm climates / grey
/ 3 stages

35 N 90316802
round seal / 19,6X3,6

36 023121174
connecting piece
for vehicles with air condit.

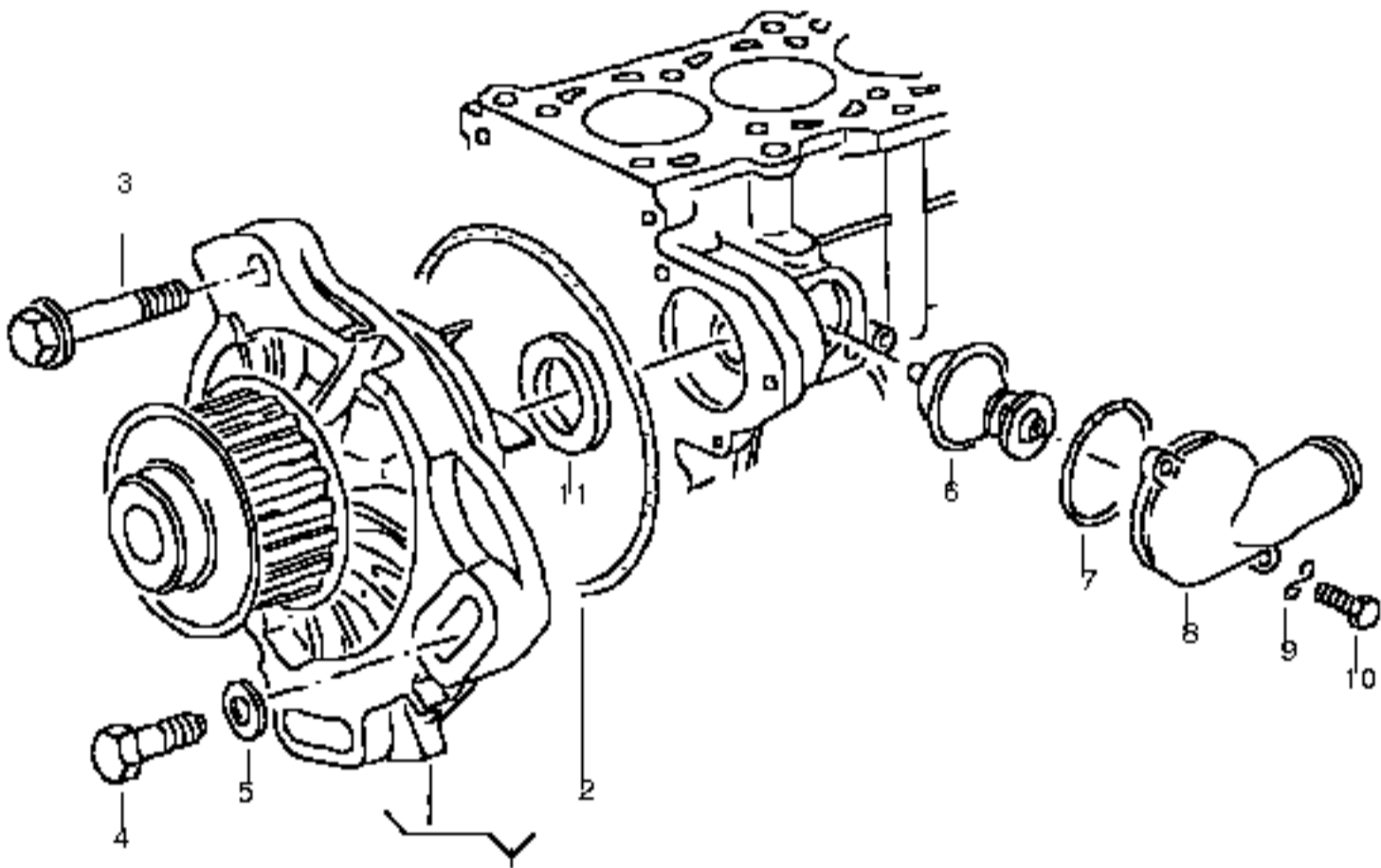
37 032121142
retaining spring
for vehicles with air condit.

38 N 0164091
spring-type clip / 47
for vehicles with air condit.

39 044121129
retainer / ACU,AEN
for vehicles with air condit.

- N 10246401
retainer / A03-14XC05-22 / AAB

- 701971848H
clip / AAB



water pump / 2.4/2.5ltr. / 5 cylinder:
/ ACU,
/ "CN.,"GUS": / AEN,
/ diesel eng.: / AAB,ACV

(1) 074121005N

water pump with gasket / ACU,AEN
also use: / 023 109 111 D

(1) 074121005NX

water pump with gasket / ACU,AEN
also use: / 023 109 111 D

(1) 074121005N

water pump with gasket / AAB,ACV

(1) 074121005NX

water pump with gasket / AAB,ACV

- 023109111D

toothed belt pulley / ACU,AEN

2 035121043

round seal / 98X4

3 N 10083301

hexagon head bolt (combi) / M8X68-S1 / ACU,AEN,AAB,

(3) N 01024710

bolt, hexagon head self-locking / M8X35 / ACV

4 N 0103594

hexagonal head bolt / M8X38

5 N 01155811

washer / 8,4X15X1,6

6 069121113

coolant thermostat / 87C

(6) 075121113D

coolant thermostat / 80C / "IL.":AAB
for 5 speed manual transmiss.
for vehicle use in warm climates

7 N 90136802

round seal / 60X3,5

8 074121121B

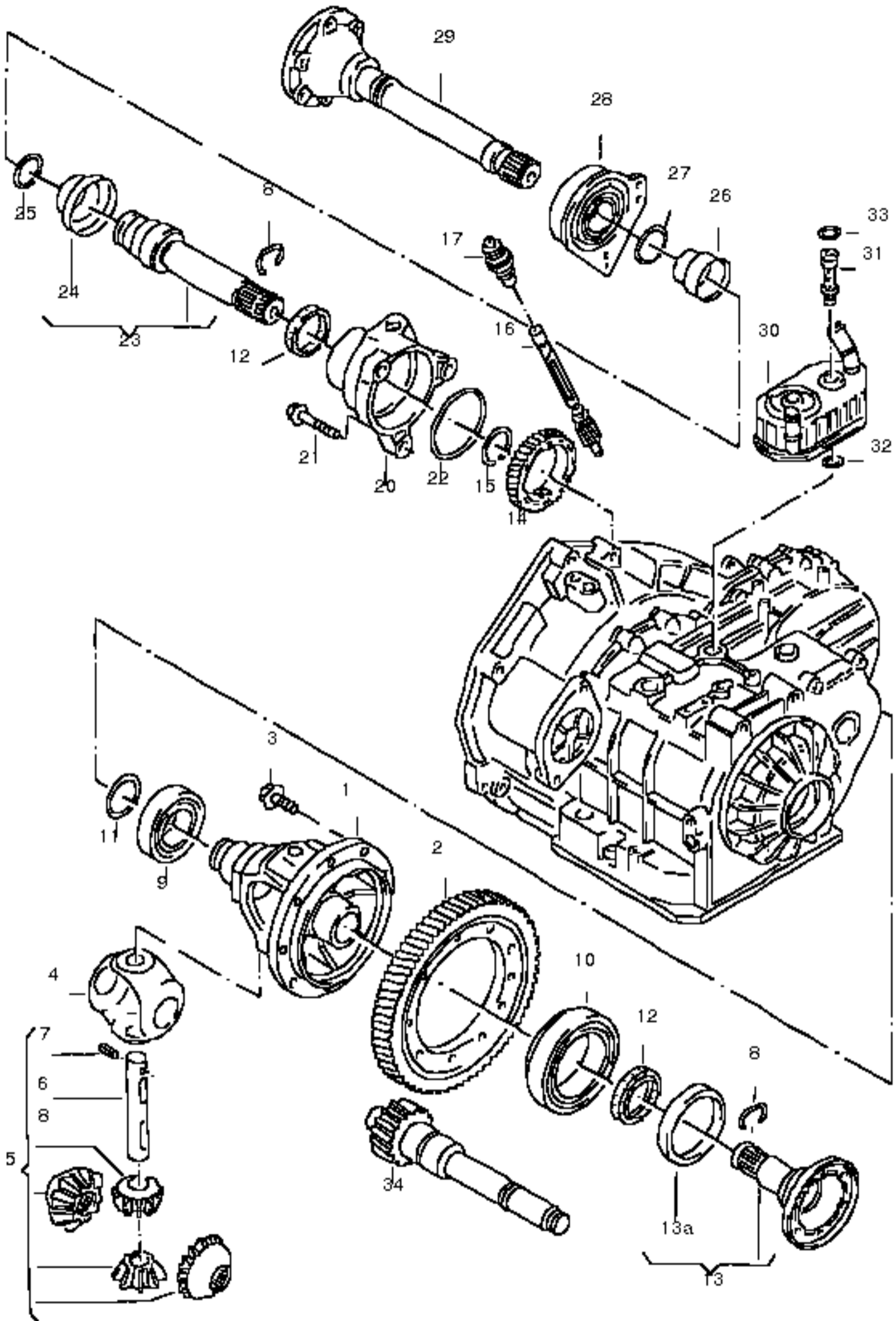
cover

9 N 0122265

spring washer / B6X12X0,5

10 N 0102186

hexagonal head bolt / M6X25



differential
 final drive
 oil cooler
 for 4-speed automatic gearbox
 differential / CWC,CWD,CWE,
 final drive / CWF,CWG,CWH,
 oil cooler / DLM
 for 4-speed automatic gearbox

1 098409121E
 differential housing / ball:96mm

2 098409151F
 output gear / Z=72 / CWC,CWD,DLM

(2) 098409151B
 output gear / Z=73 / CWE,CWF

(2) 098409151G
 output gear / Z=71 / CWH

(2) 098409151H
 output gear / Z=70 / CWG

3 098409135
 hexagonal head bolt / M10X1X35

4 099409170
 housing-differential pinion / ball:96mm

5 02G498081
 1 set: differential pinions / ball:96mm

6 02G409177
 shaft - differential pinion

7 N 90538701
 spring sleeve / 5,4X28,5

8 012409413
 snap ring

9 002517185
 taper roller bearing

10 098409321A
 taper roller bearing / 80X125X29

11 02B409210
 adjusting washer / 0,65

(11) 02B409210A
 adjusting washer / 0,7

(11) 02B409210B
 adjusting washer / 0,75

(11) 02B409210C
 adjusting washer / 0,8

(11) 02B409210D
 adjusting washer / 0,85

(11) 02B409210E
 adjusting washer / 0,9

(11) 02B409210F
 adjusting washer / 0,95

(11) 02B409210G
 adjusting washer / 1

(11) 02B409210H
 adjusting washer / 1,05

(11) 02B409210J
 adjusting washer / 1,1

(11) 02B409210K
 adjusting washer / 1,15

(11) 02B409210L
 adjusting washer / 1,2

(11) 02B409210M
 adjusting washer / 1,25

12 016409399B
 oil seal / 45X60X8

13 02B409355B
 flange shaft / 108MM
 / left

14 02B409187
 speedometer drive gear / Z=20

15 N 10120001
 securing ring / A38X1,5

16 02B409197
 speedometer pinion / Z=12

17 014409193A
 guide for pinion

20 099409333
 housing

21 N 90441601
 hexagonal head bolt / M6X32

22 098321183
 round seal / 85X2,5

23 099409345A
 stub shaft

24 099409406A
 cover panel

25 068145119
 round seal / 36X42X3

26 02G409319
 cover panel

27 N 0236441
 securing ring / A30X1,5

28 02G409335A
 bearing

29 02G409356C
 flange shaft / 108MM
 / 108MM

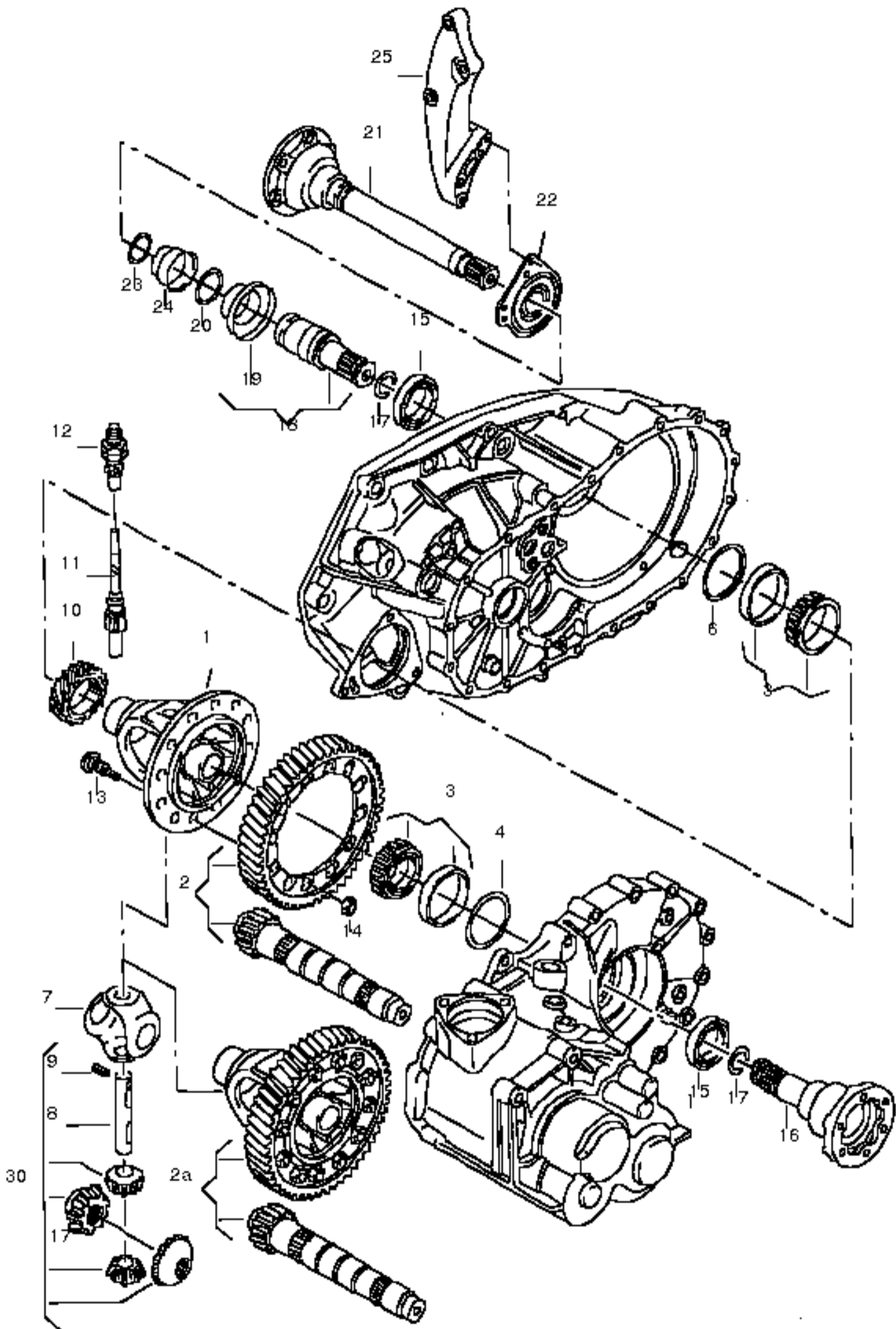
30 096409061E
 oil cooler

31 096409067A
 banto bolt

32 089409069
 round seal / 13X2,5

33 096409069A
 round seal / 13X3,5
 output shaft
 see illustration: / 323-70

- G 052128A1
 sealing grease for radial shaft oil seal / 50G



differential / AFK,AFL

pinion gear set
for 5 speed manual transmiss.

1 02G409121
differential housing

2 02G409143F
pinion gear set / 82/21

3 091517185B
taper roller bearing / 50X80X20

4 02G409210
adjusting washer / 67,5X79,5X0,65

(4) 02G409210A
adjusting washer / 67,5X79,5X0,7

(4) 02G409210B
adjusting washer / 67,5X79,5X0,75

(4) 02G409210C
adjusting washer / 67,5X79,5X0,8

(4) 02G409210D
adjusting washer / 67,5X79,5X0,85

(4) 02G409210E
adjusting washer / 67,5X79,5X0,9

(4) 02G409210F
adjusting washer / 67,5X79,5X0,95

(4) 02G409210G
adjusting washer / 67,5X79,5X1

(4) 02G409210H
adjusting washer / 67,5X79,5X1,05

(4) 02G409210J
adjusting washer / 67,5X79,5X1,1

(4) 02G409210K
adjusting washer / 67,5X79,5X1,15

(4) 02G409210L
adjusting washer / 67,5X79,5X1,2

(4) 02G409210M
adjusting washer / 67,5X79,5X1,25

6 02G409208
baffle plate

7 099409170
housing-differential pinion / ball:96mm

8 02G409177
shaft - differential pinion

9 N 90538701
spring sleeve / 5,4X28,5

10 02G409187A
speedometer drive gear

11 02G409197A
speedometer pinion / Z=13

12 014409193A
guide for pinion

13 02A409136
round hd. screw / M9X1X30

14 N 90007801
hexagonal nut / M9X1

15 02F301189A
oil seal / 45X65X9

16 02G409355
flange shaft

17 012409413
snap ring

18 02G409345
stub shaft

19 02G409406
cover panel

20 068145119
round seal / 36X42X3

21 02G409356C
flange shaft / 108MM

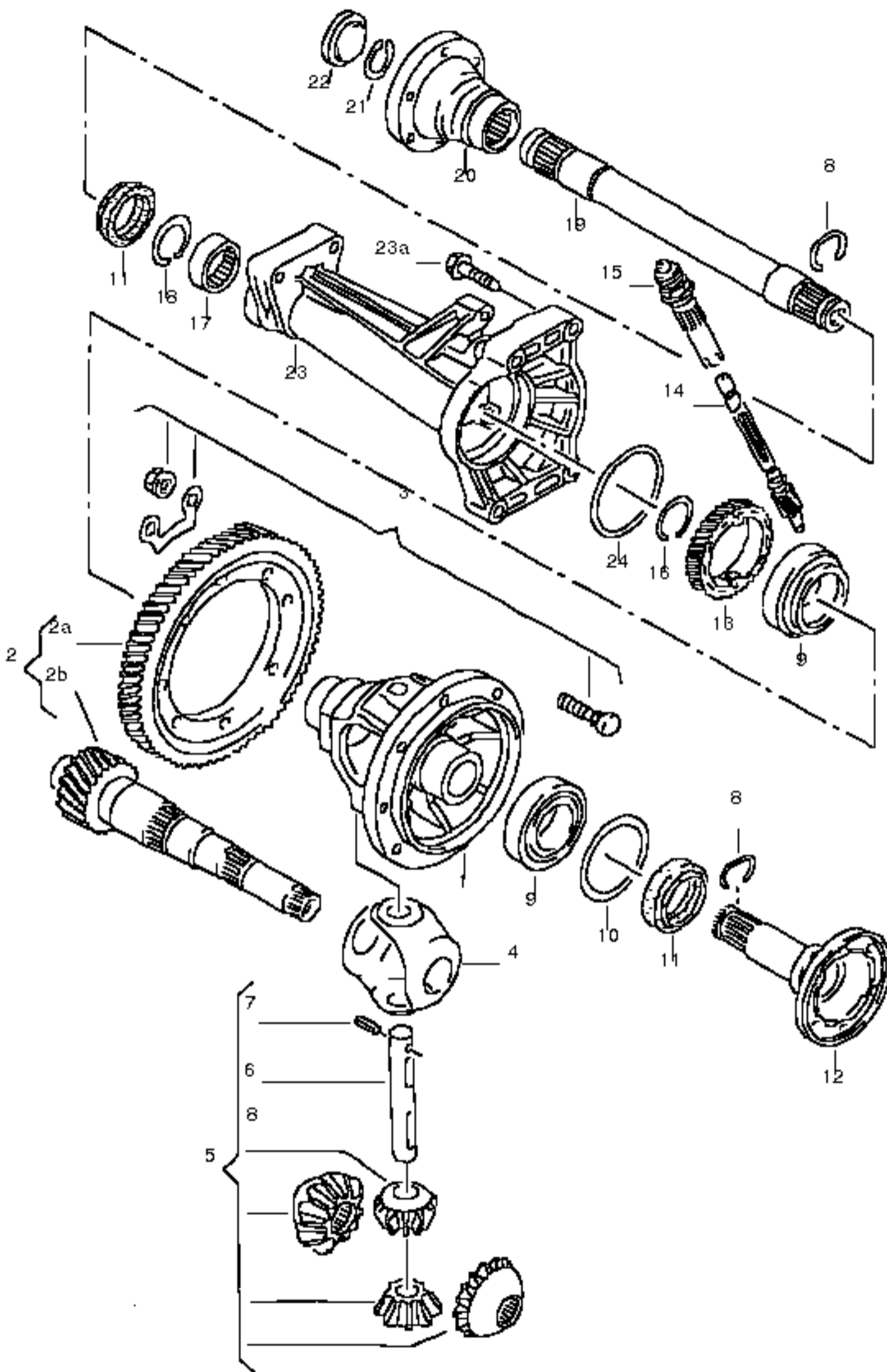
22 02G409335A
bearing

23 N 0236441
securing ring / A30X1,5

24 02G409319
cover panel
see illustration: / 399-15

30 02G498081
1 set: differential pinions / ball:96mm

- G 052128A1
sealing grease for radial shaft oil seal / 50G



differential / DCV,DCX,DCU,
pinion gear set / DCW,DKA,DJZ
for manual gearbox

1 02B409121D
differential housing

2 02B409143C
pinion gear set / 83/18 / DKA,DJZ

(2) 02B409143D
pinion gear set / 84/17 / DCV,DCX

(2) 02B409143F
pinion gear set / 73/16 / DCU,DCW

3 02B498088
1 set: mounting parts for output gear/differential housing

4 012409170A
housing-differential pinion / ball:92mm

5 012498081C
1 set: differential pinions / ball:92mm
see workshop manual

6 005409177
shaft - differential pinion

7 N 90538701
spring sleeve / 5,4X28,5

8 012409413
snap ring

9 002517185
taper roller bearing

10 02B409210
adjusting washer / 0,65

(10) 02B409210A
adjusting washer / 0,7

(10) 02B409210B
adjusting washer / 0,75

(10) 02B409210C
adjusting washer / 0,8

(10) 02B409210D
adjusting washer / 0,85

(10) 02B409210E
adjusting washer / 0,9

(10) 02B409210F
adjusting washer / 0,95

(10) 02B409210G
adjusting washer / 1

(10) 02B409210H
adjusting washer / 1,05

(10) 02B409210J
adjusting washer / 1,1

(10) 02B409210K
adjusting washer / 1,15

(10) 02B409210L
adjusting washer / 1,2

(10) 02B409210M
adjusting washer / 1,25

11 016409399B
oil seal / 45X60X8

12 02B409355B
flange shaft / 108MM
/ left

13 02B409187
speedometer drive gear / Z=20

14 02B409197
speedometer pinion / Z=12

15 014409193A
guide for pinion

16 N 10120001
securing ring / A38X1,5
speedometer drive gear

17 02B409371
needle sleeve / 32X42X18

18 N 90478101
securing ring / B42X1,2

19 02B409291
output shaft / right

20 02B409283B
flange / right

21 020311381F
securing ring / 25,8X2,5

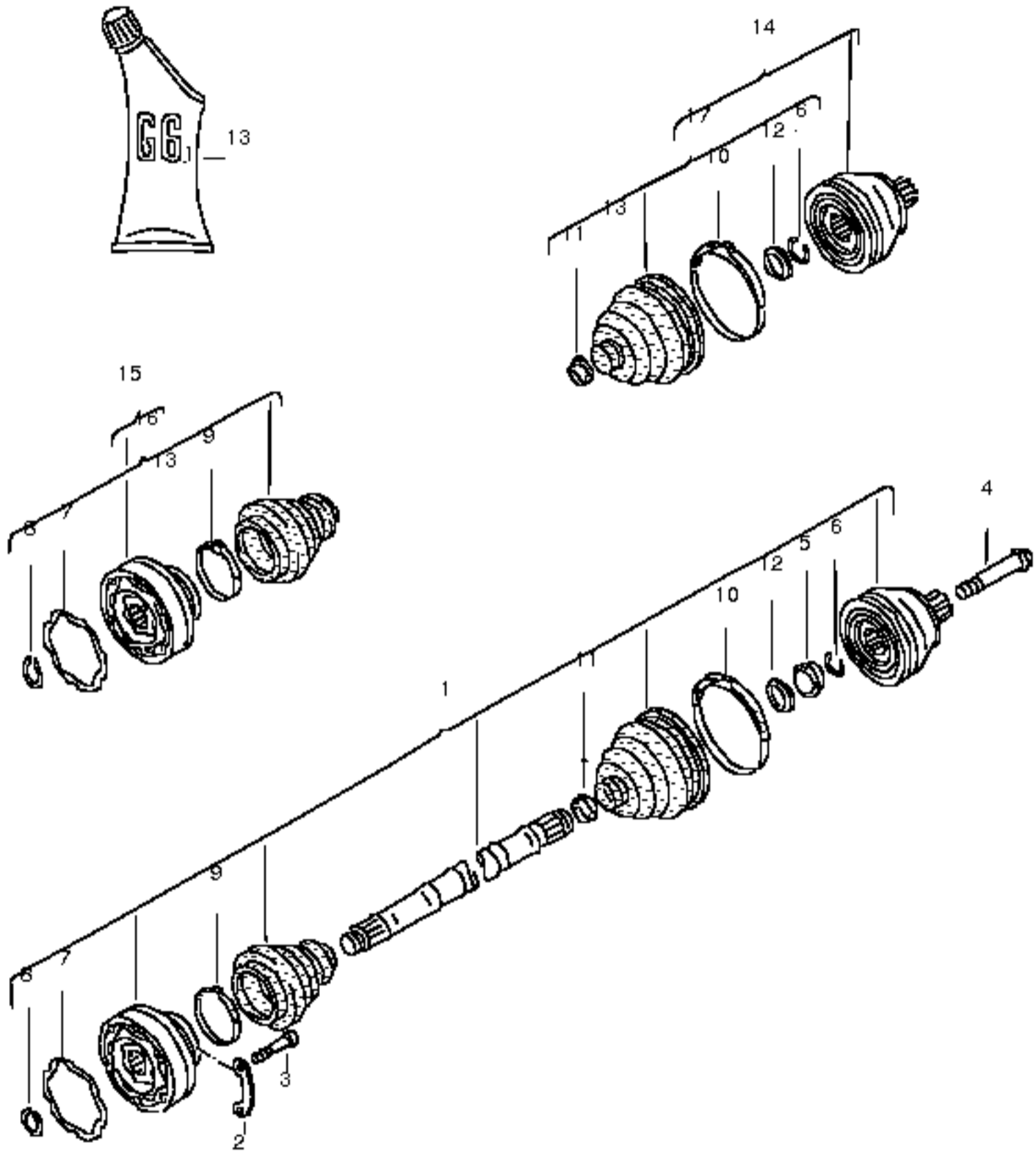
22 020409289B
locking cover

23 02B409320B
gear carrier
also use: / 02B 409 371
/ N 904 781 01
/ 016 409 399 B

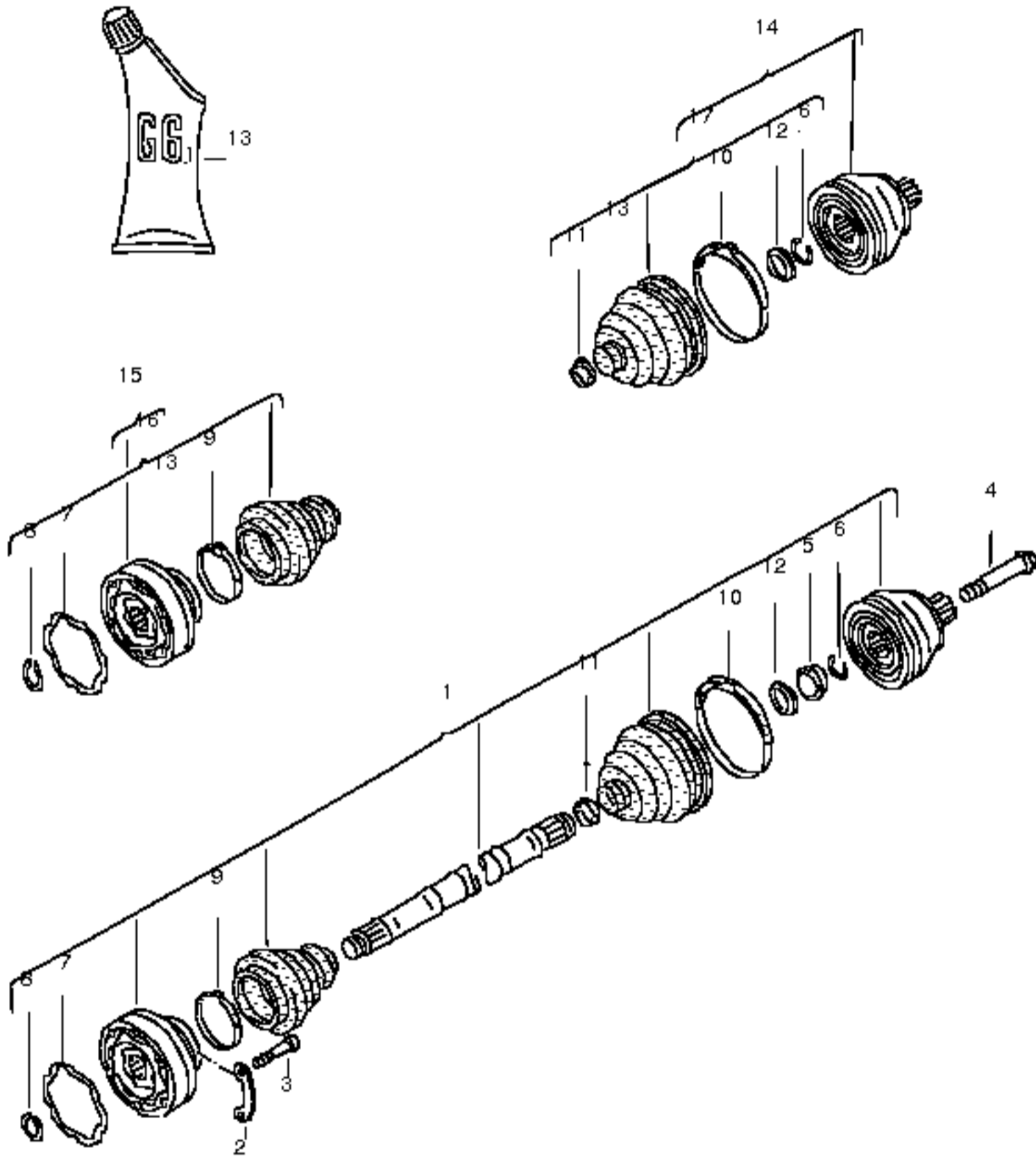
(23A) N 10197301
hexagon head bolt c/w shoulder / BM10X65

24 098321183
round seal / 85X2,5

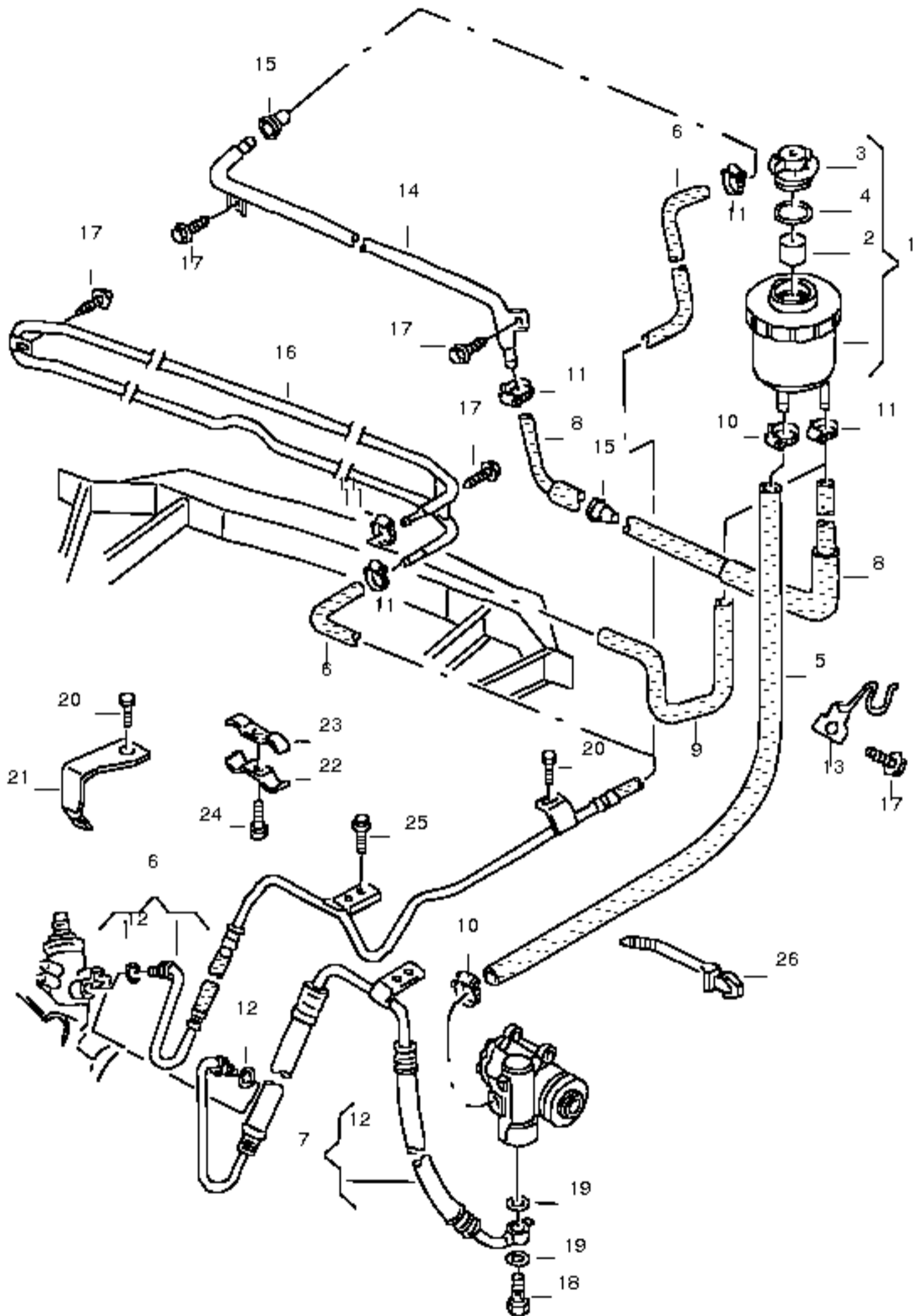
- G 052128A1
sealing grease for radial shaft oil seal / 50G



- drive shaft
for automatic gearbox
- 1 701407271N
drive shaft / left
- (1) 701407451BX
drive shaft / left
- (1) 701407271Q
drive shaft / left
for models with anti-lock brake system -abs-
- (1) 701407451CX
drive shaft / left
for models with anti-lock brake system -abs-
- (1) 701407271M
drive shaft / right
- (1) 701407451 X
drive shaft / right
- (1) 701407271P
drive shaft / right
for models with anti-lock brake system -abs-
- (1) 701407451AX
drive shaft / right
for models with anti-lock brake system -abs-
- 2 701407357
spacer plate / front
- 3 N 90668201
bolt, with multi-spilne socket head / M10X48
- 4 N 90625101
hexagon head bolt (combi) / M16X1,5X87
- 5 441407295
thrust ring
- 6 441407297
securing ring / outer
- 7 8D0407309A
sealing washer / 94MM
- 8 N 0123741
securing ring / 28X1,5
- 9 N 10233801
clamp / 74X7X0,75
- 10 N 90630701
clamp / 102,5X10X1
- 11 N 90630801
clamp / 36X10
- 12 441407287
concave spring washer
- 13 G 052133A3
high temperature grease / 120G
- 14 701498099B
wheel shaft outer with joint and attachment parts
- (14) 701498099BX
wheel shaft outer with joint and attachment parts
- (14) 701498099C
wheel shaft outer with joint and attachment parts
for models with anti-lock brake system -abs-
- (14) 701498099CX
wheel shaft outer with joint and attachment parts
for models with anti-lock brake system -abs-
- 15 701498103A
constant velocity joint with boot, attachment parts and grease / inner
/ Z=28
- (15) 701498103AX
constant velocity joint with boot, attachment parts and grease / inner
/ Z=28
- 16 701498201
joint protective boot with assembly items and grease / inner
- 17 701498203A
joint protective boot with assembly items and grease / outer

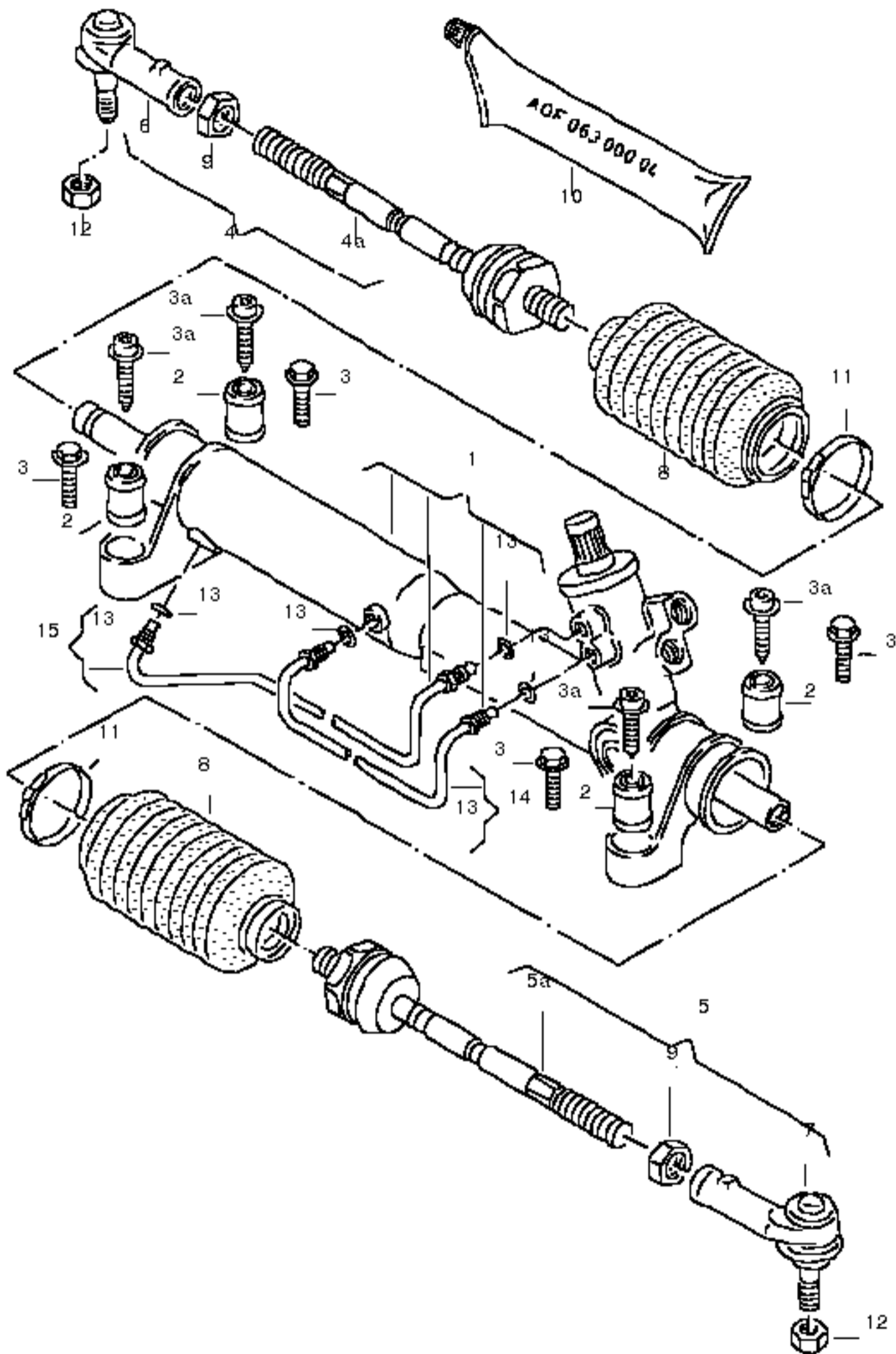


- drive shaft
for manual gearbox
- 1 701407271M
drive shaft
- (1) 701407451 X
drive shaft
- (1) 701407271P
drive shaft
for models with anti-lock brake system -abs-
- (1) 701407451AX
drive shaft
for models with anti-lock brake system -abs-
- 2 701407357
spacer plate / front
- 3 N 90668201
bolt, with multi-spilne socket head / M10X48
- 4 N 90625101
hexagon head bolt (combi) / M16X1,5X87
- 5 441407295
thrust ring
- 6 441407297
securing ring / outer
- 7 8D0407309A
sealing washer / 94MM
- 8 N 0123741
securing ring / 28X1,5
- 9 N 10233801
clamp / 74X7X0,75
- 10 N 90630701
clamp / 102,5X10X1
- 11 N 90630801
clamp / 36X10
- 12 441407287
concave spring washer
- 13 G 052133A3
high temperature grease / 120G
- 14 701498099B
wheel shaft outer with joint and attachment parts
- (14) 701498099BX
wheel shaft outer with joint and attachment parts
- (14) 701498099C
wheel shaft outer with joint and attachment parts
for models with anti-lock brake system -abs-
- (14) 701498099CX
wheel shaft outer with joint and attachment parts
for models with anti-lock brake system -abs-
- 15 701498103A
constant velocity joint with boot, attachment parts and grease / inner
- (15) 701498103AX
constant velocity joint with boot, attachment parts and grease / inner
- 16 701498201
joint protective boot with assembly items and grease / inner
- 17 701498203A
joint protective boot with assembly items and grease / outer



oil container and connection parts, hoses / 5-cylinder

- 1 701422371A
oil container
- 2 431422360A
plug
- 3 701422375
locking cover
- 4 N 90176301
seal / 38X2,5N
- 5 701422881H
suction hose
- 6 701422891N
return hose / lhd / PR-AC0
- (6) 701422891H
return hose / lhd / PR-AC1
- (6) 702422891N
return hose / rhd / PR-AC0
- (6) 702422891H
return hose / rhd / PR-AC1
- 7 7D1422893A
flexible hose / lhd
- (7) 7D2422893A
flexible hose / rhd
- 8 7D0422895A
return hose / PR-AC0
- (8) 7D0422895B
return hose / PR-AC0/
for vehicles with air condit. / diesel eng.:
for models with towing facility / AAB
for vehicle use in warm climates
- 9 7D0422895C
return hose
- 10 N 90561801
pipe clip / AL16-28
- 11 N 10098601
spring-type clip / 17
- 12 7M0422999
round seal
- 13 7D0422933
retainer
suction hose
- (13) 7D0422925A
retainer / ACU,AAB,ACV
suction hose
- (13) 701422925D
retainer / air condit.
suction hose
- 14 701422091A
cooling pipe / PR-AC0
- 15 701422095
grommet / PR-AC0
cooling pipe
- 16 701422896A
cooling pipe / PR-AC1
- 17 N 90481701
hexagon head bolt (combi) / M8X20
- 18 1J0422269B
banto bolt / M16X1,5
- 19 N 0138486
seal / A16X22
- 20 N 01021226
hexagonal head bolt / M6X12
- 21 702422927
retainer / rhd
flexible hose
return hose
- 22 701422907
dual clip-upper part
- 23 701422908
dual clip-lower part
- 24 N 0147018
allen key head bolt / M6X12MK
- 25 N 0195024
hexagon head bolt c/w shoulder / M8X25
- 26 N 90666101
cable tie / 4,5X200



steering box / power steering
tie rod

1 7D1422061B
steering box / lhd

(1) 701422061JX
steering box / lhd

(1) 7D2422061B
steering box / rhd

(1) 702422061QX
steering box / rhd

2 701419081A
rubber mounting

3A N 90626801
hexagon head bolt (combi) / M10X60

4 702419803D
tie rod / left

4A 701419810B
adjusting piece / left

5 701419804F
tie rod / right

5A 701419810B
adjusting piece / right

6 701419811E
tie rod end / left

7 701419812D
tie rod end / right

8 7D0419831
boot

9 N 01116415
hexagonal nut / M16X1,5X8

10 AOF06300004
steering grease / 250G

11 N 10267501
clamp / 64X7X0,6

12 N 10028908
hexagon nut, self-locking / M12X1,5

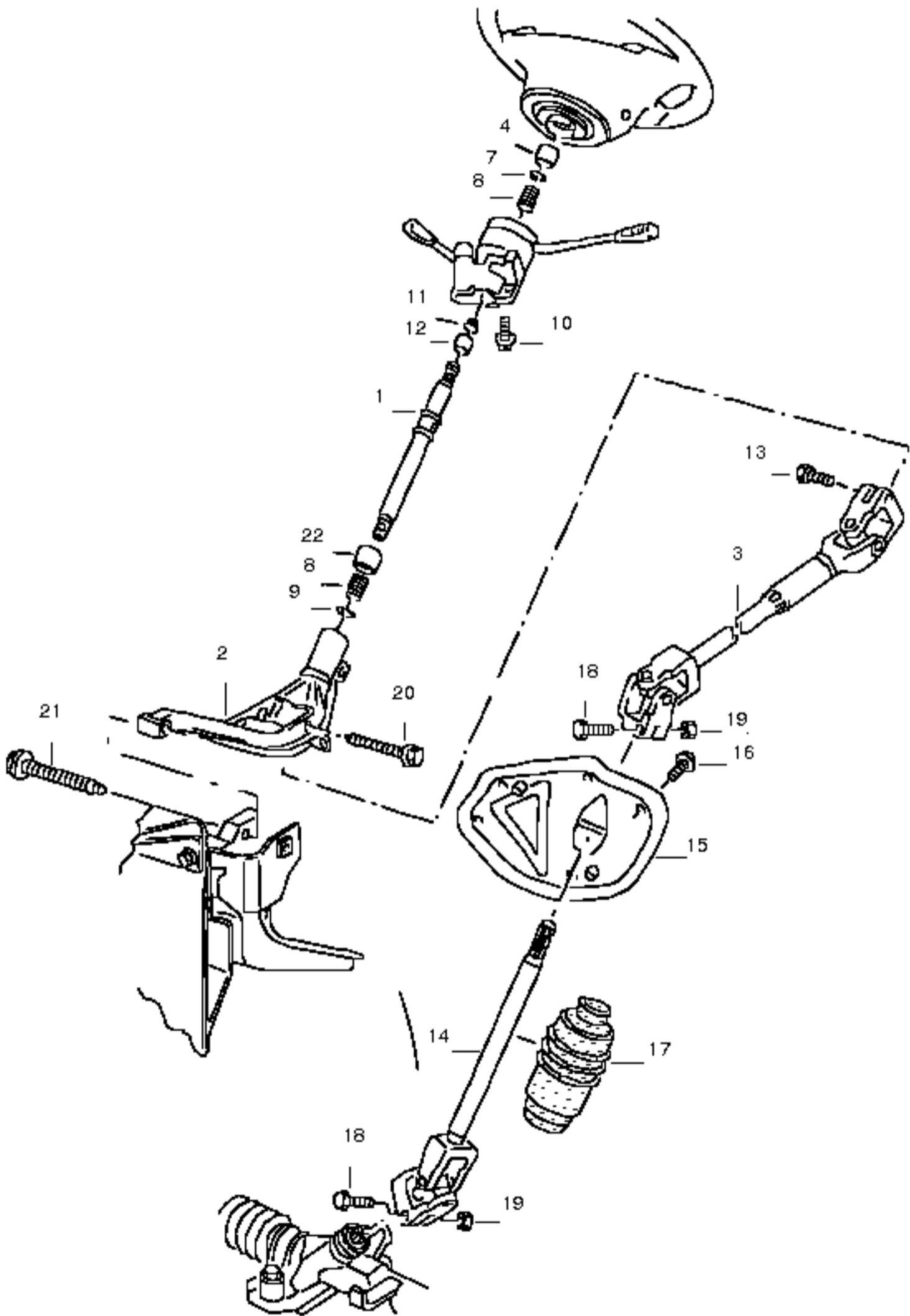
13 701422241
round seal

14 701422141
pressure pipe / lower lhd

(14) 702422141
pressure pipe / lower rhd

15 701422142
pressure pipe / upper lhd

(15) 702422142
pressure pipe / upper rhd



- steering tube
- steering column tube

- 1 701419505F
steering tube

- 2 7D1419653
steering column tube / lhd

- (2) 7D2419653
steering column tube / rhd

- 3 701419951B
intermediate steering shaft / upper lhd

- (3) 702419951C
intermediate steering shaft / upper rhd

- 4 701419331
spacer bush

- 7 N 90454201
clamping washer / 22

- 8 481419343B
pressure spring / 20

- 9 N 90074201
washer / 18X28X1,5

- 10 211415549B
sheer bolt

- 11 701419341A
support ring
also use: / 701 419 331 B

- 12 701419331B
spacer bush

- 13 N 0102336
hexagonal head bolt / M8X28

- 14 701422751B
intermediate steering shaft / lower

- 15 701419531E
bearing plate / lhd / manual gearbox

- (15) 701419531F
bearing plate / lhd / automatic

- (15) 702419531F
bearing plate / rhd

- 16 N 10063202
hexagon head bolt c/w shoulder / M8X20

- 17 701419069
boot

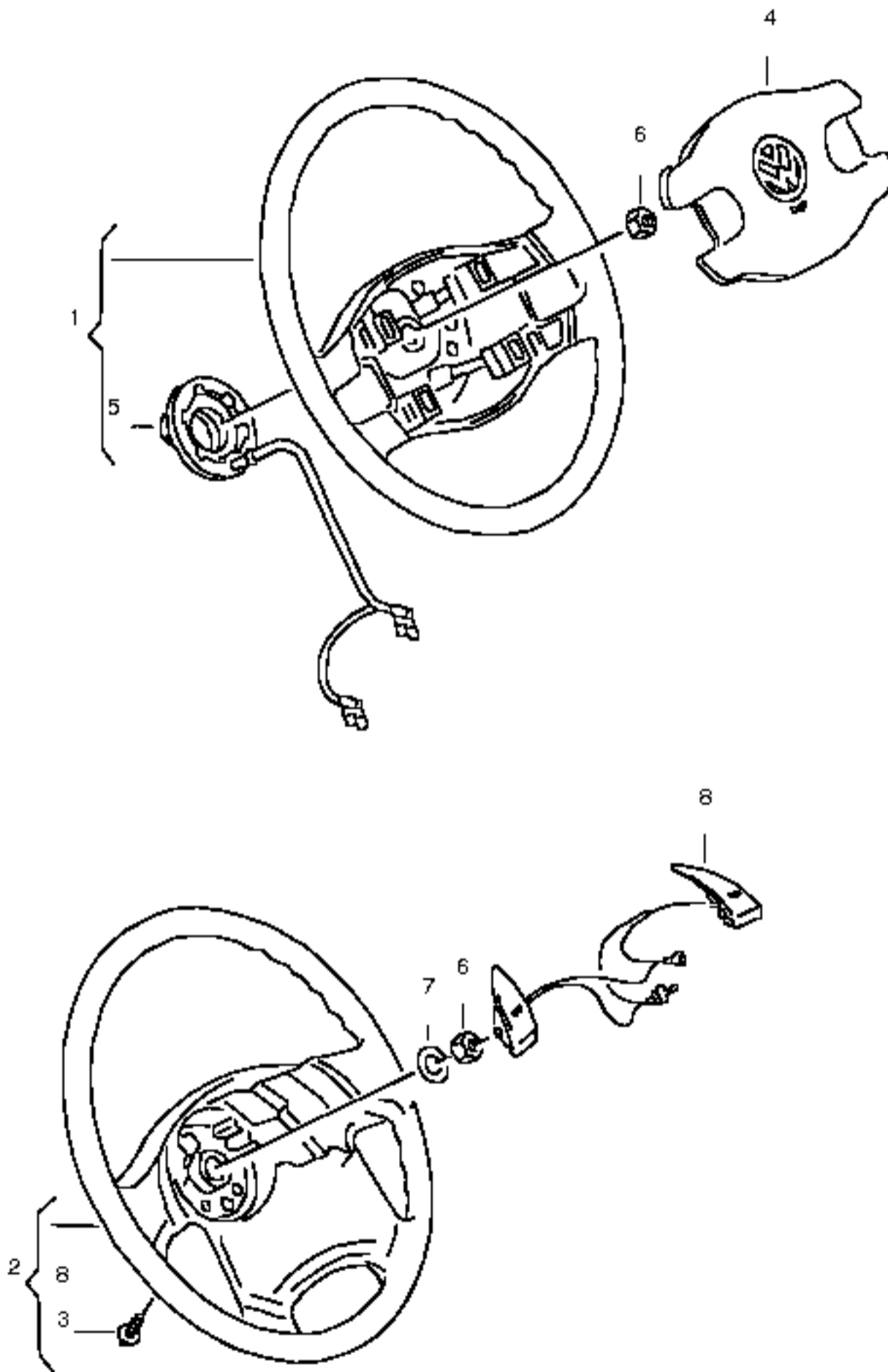
- 18 N 0102478
hexagonal head bolt / M8X35

- 19 N 0221464
hexagon nut, self-locking / VM8

- 20 N 90666401
hexagonal head bolt / BM10X100

- 21 N 10001204
hexagonal head bolt / M8X55

- 22 701419517E
ball bearing



steering wheel

1 7D0419091A

steering wheel

7D0419091A 01C satin black

2 701419091B

steering wheel

for models with airbag

701419091B 01C satin black

3 N 90614801

hexagon socket head bolt with collar / M6X21,5

for models with airbag

4 7D0419669A

horn button

7D0419669A 01C satin black

for models with airbag

see illustration: / 880-00

5 7D0419661

return ring with slip ring / 125MM

return ring with slip ring

for steering wheel: / 701 419 091 B

see illustration: / 959-11

6 N 01116415

hexagonal nut / M16X1,5X8

7 N 90448501

washer / 16,2X34,2X3

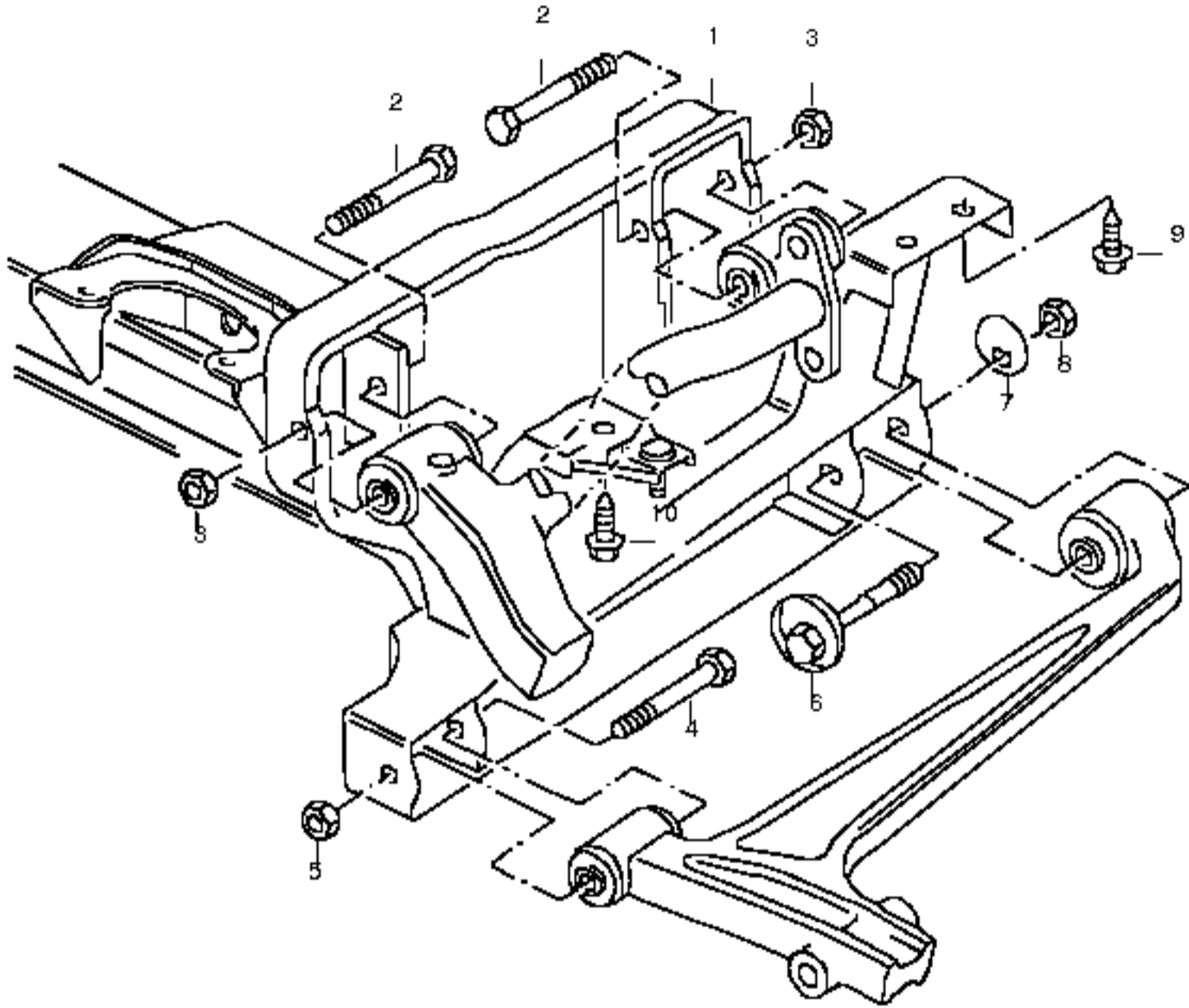
for models with airbag

8 701419658

1 set of horn buttons

for models with airbag

701419658 01C satin black



70

sub-frame

(1) 7D0499031B

sub-frame

also use: / 701 407 397 C

/ 074 253 463 B

- 074253463B

bracket for exhaust pipe / AHY

2 N 10170801

hexagonal head bolt / M12X1,5X80

3 N 10028908

hexagon nut, self-locking / M12X1,5

4 N 90534002

hexagonal head bolt / M14X1,5X82

5 N 10140904

hexagonal nut / M14X1,5

6 701407397C

eccentric screw / M14X1,5X90

7 701407399A

eccentric washer / 14MM

8 N 10140904

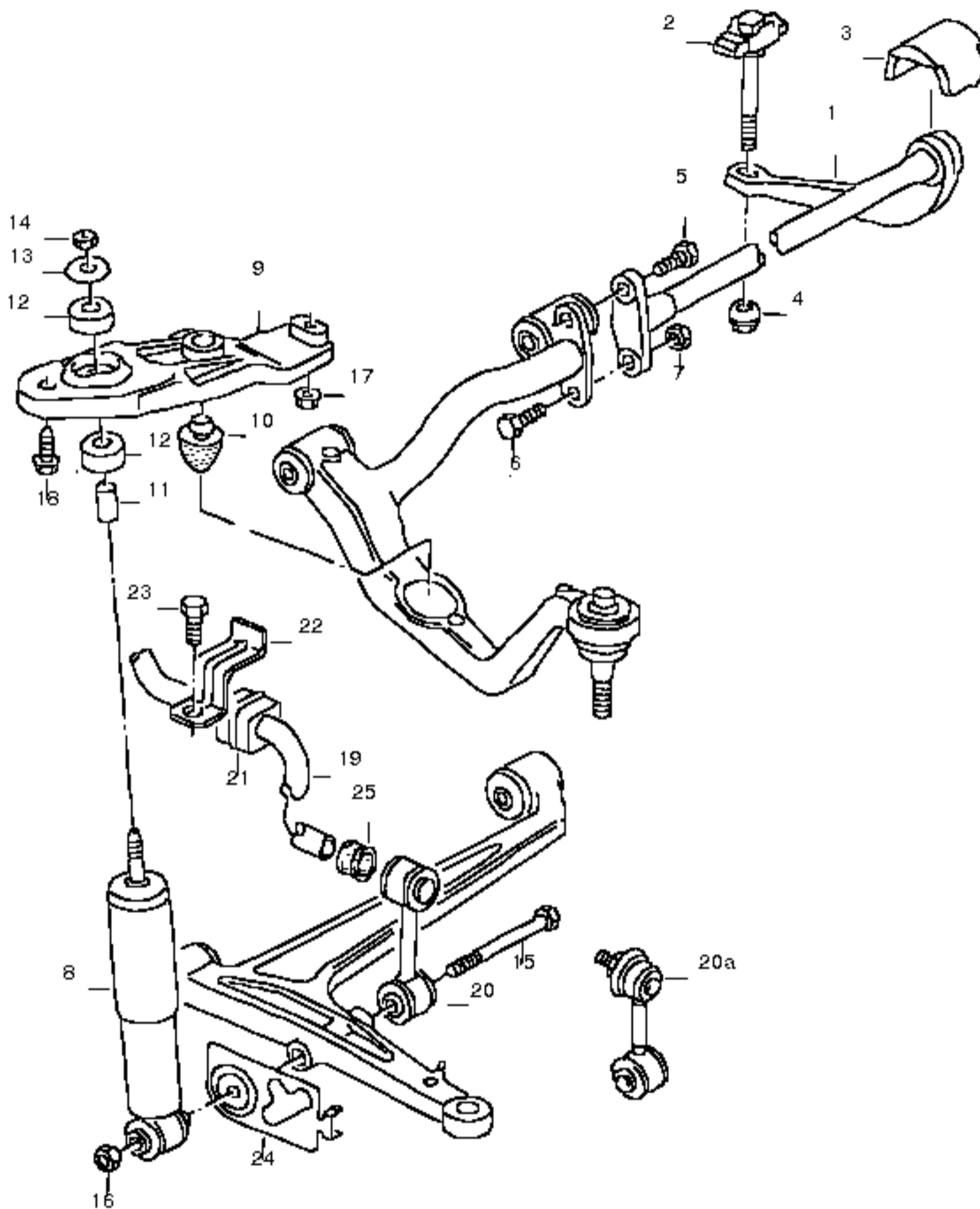
hexagonal nut / M14X1,5

9 N 90599201

hexagon head bolt (combi) / M12X1,5X35

10 N 90599001

hexagon head bolt (combi) / M14X1,5X45



suspension / front
stabilizer

1 701411103G

torsion spring rod / left / delivery van
marked with: / green / kombi van
for vehicles with payload of: / 800KG / kombi van with seats
for models with wheelbase: / 2920MM
/ bus
/ MULTIVAN

1 701411103G

torsion spring rod / left / ambulance
marked with: / green
for vehicles with payload of: / 1000KG
for models with wheelbase: / 2920MM

(1) 701411104G

torsion spring rod / right / delivery van
marked with: / green / kombi van
for vehicles with payload of: / 800KG / kombi van with seats
for models with wheelbase: / 2920MM
/ bus
/ MULTIVAN

(1) 701411104G

torsion spring rod / right / ambulance
marked with: / green
for vehicles with payload of: / 1000KG
for models with wheelbase: / 2920MM

(1) 7D0411103

torsion spring rod / left / delivery van
marked with: / brown / kombi van
for vehicles with payload of: / 1000KG / pick-up
for models with wheelbase: / 2920/3320MM / double cab
/ bus
/ camp- mobile
/ kombi van with seats
/ MULTIVAN

(1) 7D0411103

torsion spring rod / left / ambulance
marked with: / brown
for vehicles with payload of: / 1000KG
for models with wheelbase: / 3320MM

(1) 7D0411104

torsion spring rod / right / delivery van
marked with: / brown / kombi van
for vehicles with payload of: / 1000KG / pick-up
for models with wheelbase: / 2920/3320MM / double cab
/ bus
/ camp- mobile
/ kombi van with seats
/ MULTIVAN

(1) 7D0411104

torsion spring rod / right / ambulance
marked with: / brown
for vehicles with payload of: / 1000KG
for models with wheelbase: / 3320MM

(1) 701411103J

torsion spring rod / left / 6 cylinder
marked with: / violet

(1) 701411103J

torsion spring rod / left / delivery van
marked with: / violet / kombi van
for vehicles with payload of: / 1000/1200KG / pick-up
for models with wheelbase: / 2920/3320MM / double cab
/ bus
/ MULTIVAN
/ kombi van with seats

(1) 701411103J

torsion spring rod / left
marked with: / violet
for vehicles with lowered running gear

(1) 701411103J

torsion spring rod / left / PR-0J4
marked with: / violet
for vehicles with payload of: / 2000KG
for models with wheelbase: / 2920/3320MM

(1) 701411104J

torsion spring rod / right / 6 cylinder
marked with: / violet

(1) 701411104J

torsion spring rod / right / delivery van
marked with: / violet / kombi van
for vehicles with payload of: / 1000/1200KG / pick-up
for models with wheelbase: / 2920/3320MM / double cab
/ bus
/ MULTIVAN
/ kombi van with seats

(1) 701411104J

torsion spring rod / right
marked with: / violet
for vehicles with lowered running gear

(1) 701411104J

torsion spring rod / right / PR-0J4
marked with: / violet
for vehicles with payload of: / 2000KG
for models with wheelbase: / 2920/3320MM

2 701411131D

mounting

3 701411197

rubber mounting

4 N 90522601

ball nut / M18X1,5

5 N 10185201

hexagonal head bolt / M14X1,5X30

6 N 10212601

hexagonal head bolt / M14X1,5X42

7 N 10140904

hexagonal nut / M14X1,5

(8) 7D0413031B

shock absorber / heavy-duty / PR-1BJ

(8) 7D0413031C

gas-filled shock absorber / front

(9) 701413335C

mounting for shock absorber / left

(9) 701413336C

mounting for shock absorber / right

10 701407303

stop buffer

11 281413439A

spacer sleeve

12 411513121

damping ring

13 701413131

disc

14 N 10140601

hexagonal nut / M10X1

15 N 10333801

hexagonal head bolt / M14X1,5X165

16 N 10140904

hexagonal nut / M14X1,5

17 N 90226501

hexagonal nut / M12X1,5

18 N 90599201

hexagon head bolt (combi) / M12X1,5X35

19 701411025G

stabilizer / 23,5MM

(19) 701411025H

stabilizer / 27MM

(19) 701411025G

stabilizer / 23,5MM
for vehicles with lowered running gear

(19) 701411025H

stabilizer / 27MM / PR-0J4
for vehicles with payload of: / 2000KG

20 7D0411049

link for stabilizer

20A 701411049B

link for stabilizer
for stabiliser: / 27MM

21 7D1411041

rubber mounting / 23,1MM

(21) 701411041D

rubber mounting
for stabiliser: / 27MM

22 701411063B

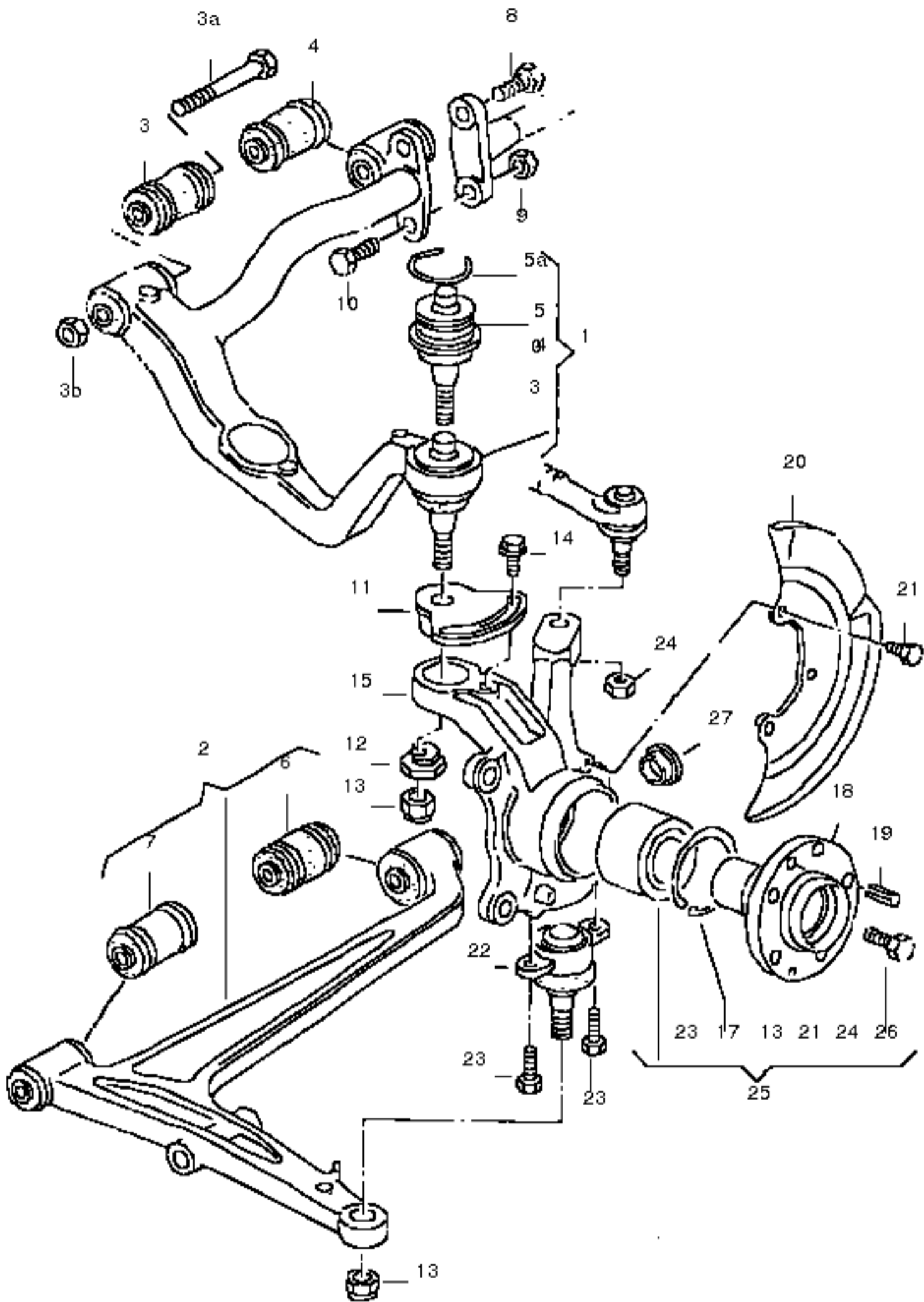
pipe clip

(23) N 10246602

hexagon head bolt c/w shoulder / M10X30-SW16

25 7D0411045

rubber mounting
for: link for stabilizer / 7D0 411 049



track control arm

wheel bearing housing

wheel hub

1 701407021C

track control arm / left upper

(1) 701407022C

track control arm / right upper

2 7D0407151A

track control arm / left lower

(2) 7D0407152A

track control arm / right lower

3 701407077A

bonded rubber mounting / front

3A N 10170801

hexagonal head bolt / M12X1,5X80

/ lower

see illustration: / 499-05

3B N 10028908

hexagon nut, self-locking / M12X1,5

/ lower

see illustration: / 499-05

4 701407087

bonded rubber mounting / rear

5 701407187B

supporting joint / upper

- 701407196

snap ring

for:

supporting joint

6 7D0407140

bonded rubber mounting / rear

/ 14MM

7 7D0407183

bonded rubber mounting / front

8 N 10185201

hexagonal head bolt / M14X1,5X30

9 N 10140904

hexagonal nut / M14X1,5

10 N 10212601

hexagonal head bolt / M14X1,5X42

(11) 701407135A

eccentric bush / left

(11) 701407136A

eccentric bush / right

12 701407137

eccentric washer

13 N 0411817

hexagonal nut / M16X1,5

14 N 10216501

hexagon head bolt (combi) / M12X1,5X22-U-

15 7D0407257A

wheel bearing housing / left

(15) 7D0407258A

wheel bearing housing / right

17 N 0123501

securing ring / 80X2,5

18 7D0501647A

wheel hub

19 N 10216601

spring pin / 13X16

20 7D0407343B

splash plate / left

(20) 7D0407344A

splash plate / right

21 N 90529301

hexagonal head bolt / M6X10

22 7D0407361

guide joint / lower

(23) N 10409601

bolt, with multi-spilne socket head / M12X1,5X30

24 N 10028908

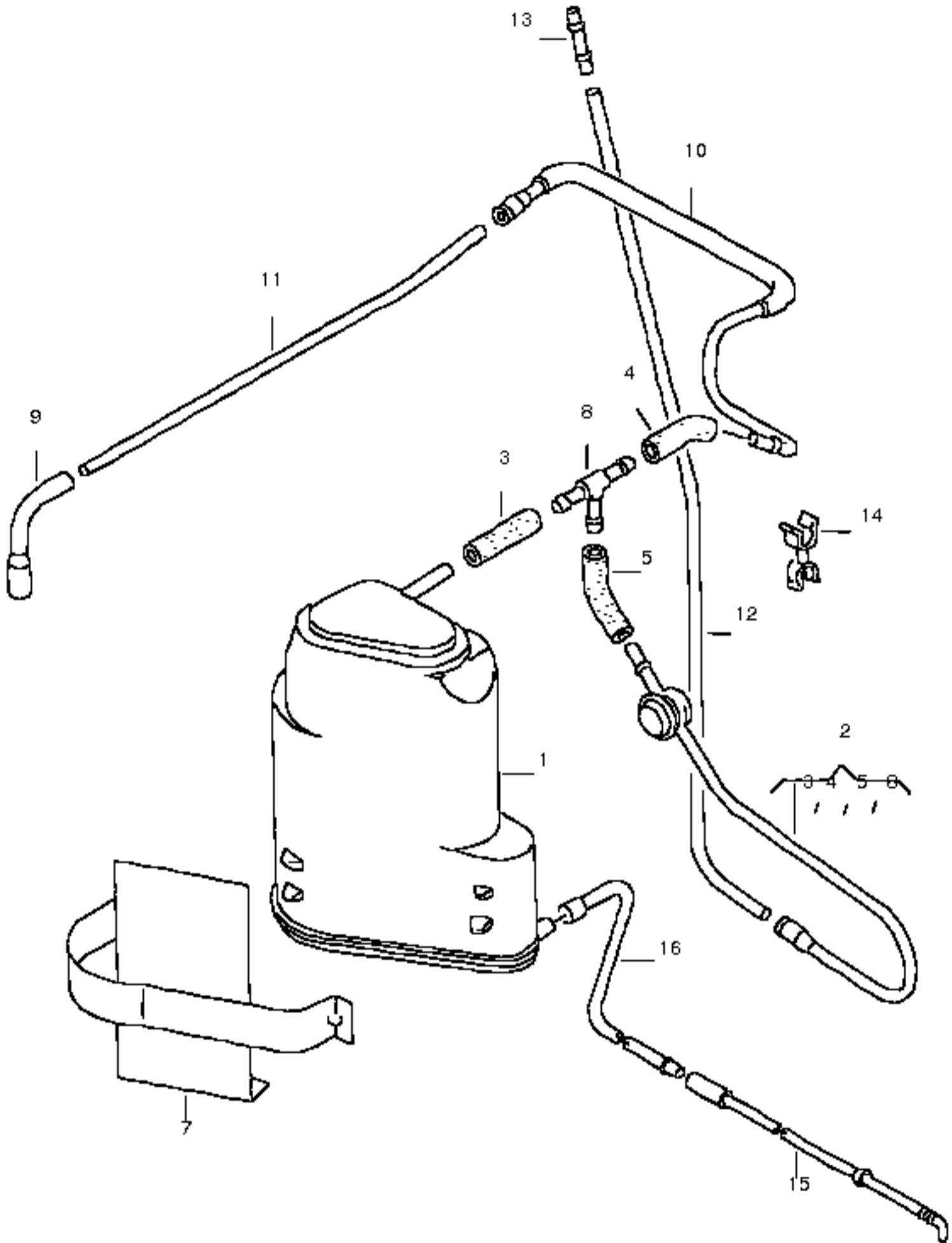
hexagon nut, self-locking / M12X1,5

25 7D0498625

wheel bearing with mounting parts / front

26 N 90625101

hexagon head bolt (combi) / M16X1,5X87



activated charcoal canister / AAC,ACU,AES
breather hose

1 7D0201801F
activated charcoal canister
also use: / 7D0 201 059 C
/ 7D0 201 850 E
/ 035 133 335

- 7D0201059C
breather tube
pressure valve

- 7D0201850E
breather tube

- 035133335
cap / 8

2 701201160
breather tube

- N 0202811
hose in coils of 5m 'order unit 5' / 7X3
shorten to: / 60MM
shorten to: / 60MM
shorten to: / 90MM

7 701201825
retainer
activated charcoal canister

8 701201471
t-piece

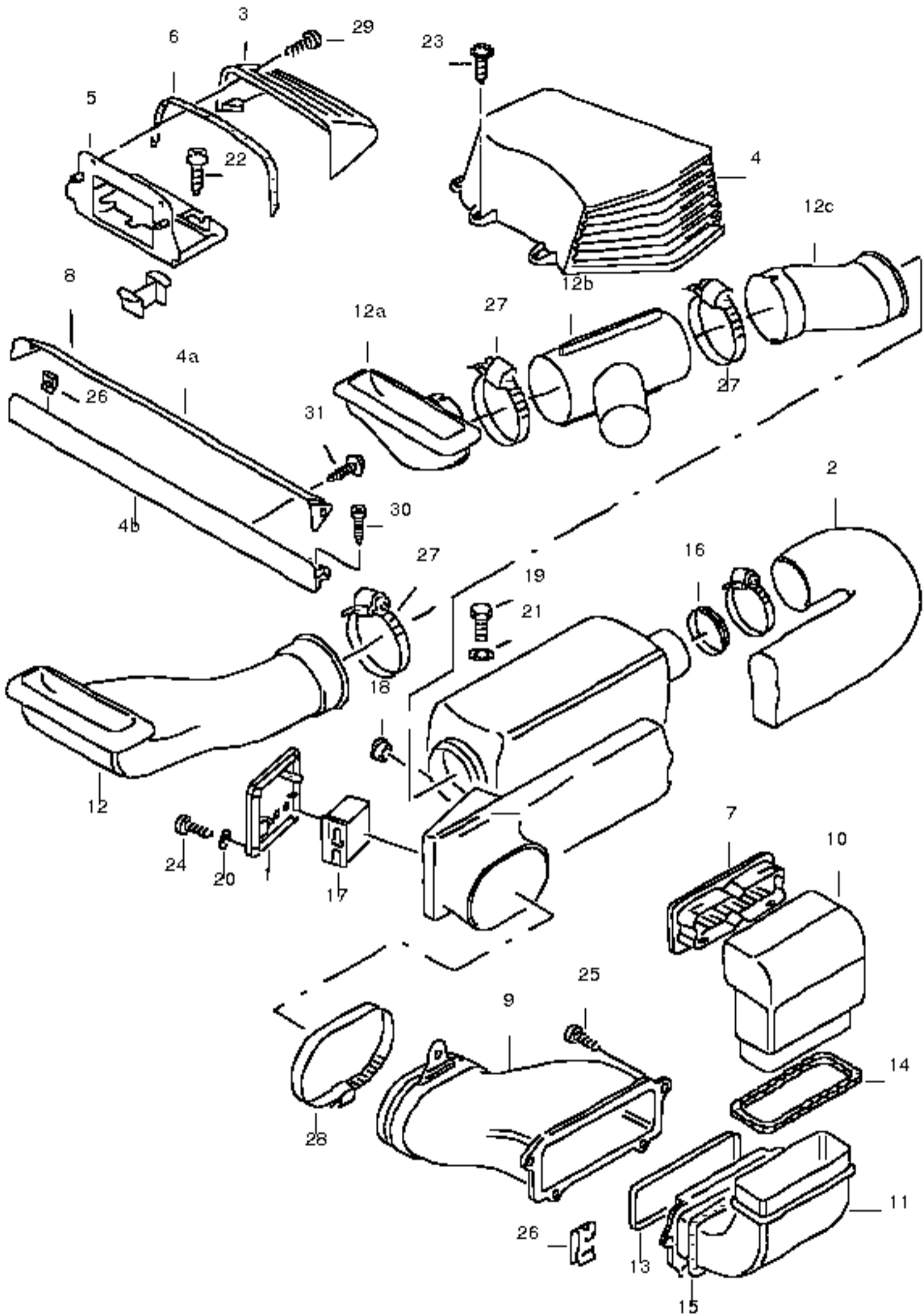
9 701201807A
elbow

10 7D0201850A
breather tube

- 026121093A
retainer

- N 0201302
tube in coils of 5m 'order unit 5' / 8X1
shorten to: / 950MM
shorten to: / 1230MM
also use: / 191 201 316 A

13 191201316A
sleeve / 6X29MM



auxiliary heater / B3LP/D3LP / camp- mobile
air guide
/ B3LC/D3LC / delivery van
/ kombi van

1 701261177
cover

2 701261227
intake shaft

3 7D0819111A
air vent / upper / delivery van
7D0819111A 01C satin black
for vehicles with auxiliary heater

(3) 7D0819111
air vent / upper / delivery van
for vehicles with 2nd. heat exchanger and warm air vent
passenger compartment step
7D0819111 01C satin black

4 703819111B
air vent / upper / MULTIVAN
703819111B 01C satin black

(4) 703819573A
insert / MULTIVAN

5 701819112A
air vent / lower
701819112A 01C satin black

6 701819126
gasket
for vehicles with partition

7 701819144
trim
701819144 01C satin black

- N 0139587
oval head panel screw / ST3,5X13-C

8 701819147
retainer

9 701819219B
intake duct
for models without sliding door
/ left

10 701819441
elbow / delivery van
/ kombi van

(10) 705819441
elbow / bus

11 701819461
elbow / lower

12 701819470A
warm air vent

13 701819479
gasket

14 701819480
gasket

15 701819480A
gasket / lower

16 701819762
seal

17 701963271A
electronic control unit / B3LC
for additional heater

(17) 701963271B
electronic control unit / B3LP
for additional heater

(17) 701963271C
electronic control unit / D3LC
for additional heater

(17) 701963271D
electronic control unit / D3LP
for additional heater

18 701971908B
grommet

19 N 01021226
hexagonal head bolt / M6X12

20 N 0115227
washer / A4,3X9X0,8

21 N 0115572
washer / 6,4X11X1,6

22 N 0139345
oval head panel screw / B3,5X25

23 N 0139587
oval head panel screw / ST3,5X13-C

24 N 0139671
oval head panel screw / B4,2X19-C

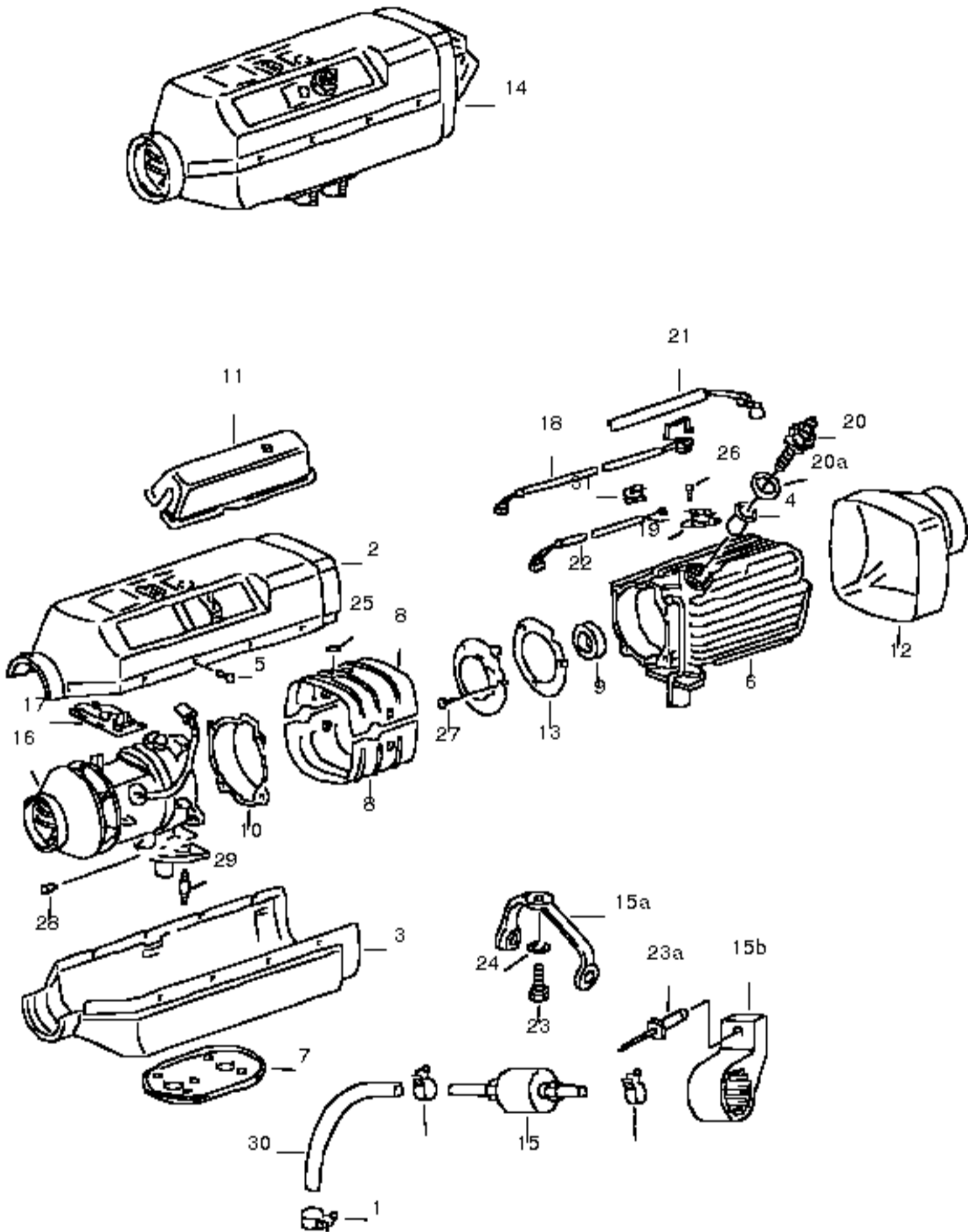
25 N 0139755
oval head panel screw / ST4,8X19

26 N 0154581
snap nut / B4,8X19X16

27 N 0245083
pipe clip / LA80-100

28 N 0245141
pipe clip / AL100-120X9

29 N 0140872
oval hd. csk. self-tapp. screw / ST3,5X16-C



auxiliary heater / B3LP/D3LP / camp- mobile
blower
fuel pump / B3LC/D3LC / delivery van
heater unit / kombi van

1 311133343
pipe clip

2 701261114
housing upper part

3 701261116
housing lower part

4 701261121
flame deflector strainer / D3LC/P

(4) 701261122
flame deflector strainer / B3LC/P

5 701261138
split rivet

6 701261141A
heat exchanger / D3LC/P

7 701261146
gasket

8 701261170
cover for blower motor

9 701261185
seal

10 701261199
gasket

11 701261247
cover cap

12 701261377
warm air vent

13 701261753
gasket

14 701815007B
auxiliary heater / B3LC

(14) 701815007C
auxiliary heater / D3LC

14 701815007D
auxiliary heater / B3LP

(14) 701815007E
auxiliary heater / D3LP

15 701819100E
fuel pump

15A 701819949
loop

16 701963021
blower

17 701963075
printed circuit

18 701963243B
temperature switch / B3L/D3L G64
for vehicles with auxiliary heater

19 701963243C
temperature switch
for vehicles with auxiliary heater

20 701963319
glow plug
for vehicles with auxiliary heater

21 7D0971543
wiring harness for auxiliary heater

auxiliary heater

22 701971478AH
wiring harness for additional heater

23 N 0102139
bolt, hexagon head self-locking / M5X15

24 N 01152318
washer / A5,3X10X1

25 N 0128551
clamping washer / 5

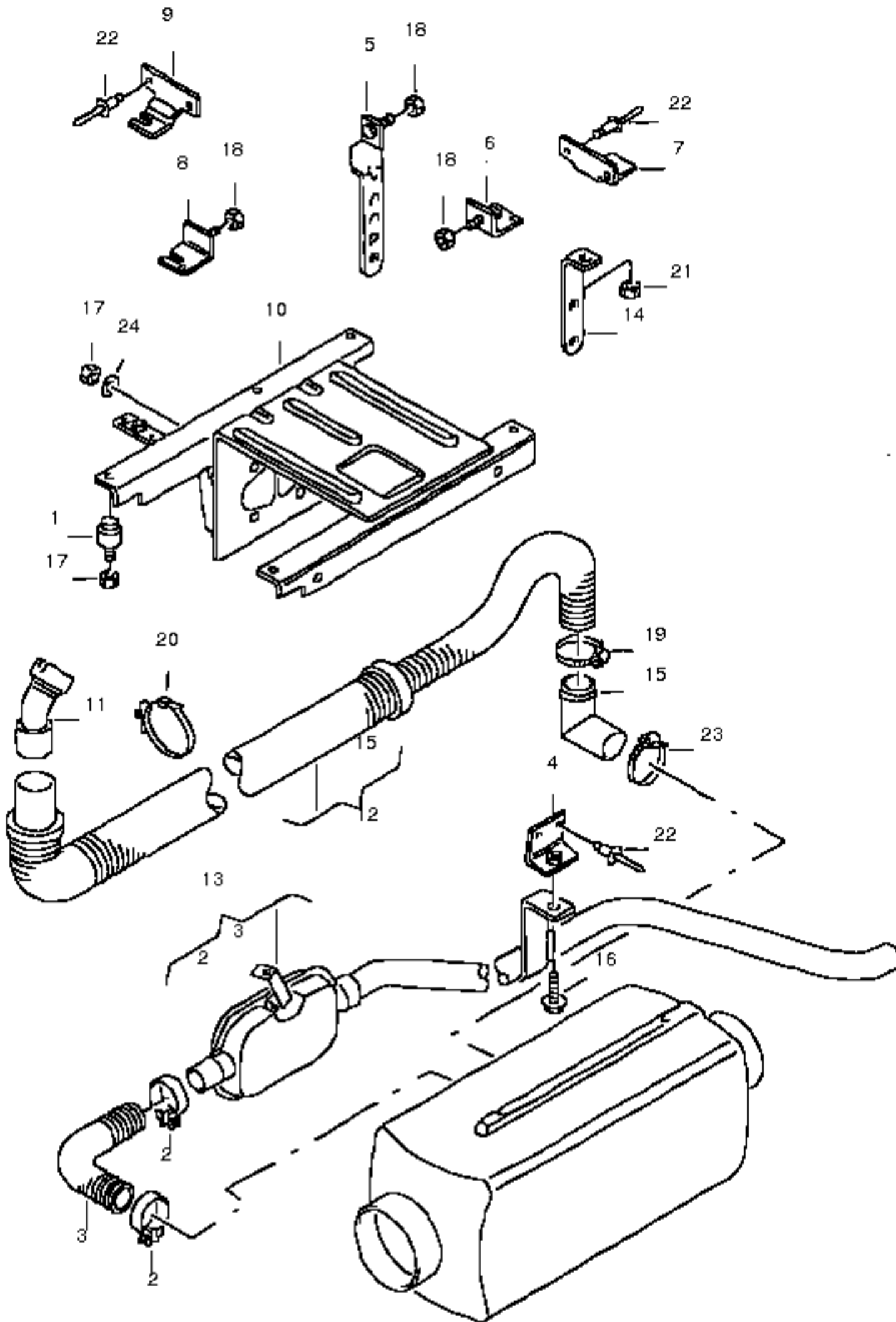
26 N 0141112
fillister hd. bolt / AM3X12Z

27 N 90455603
allen key head bolt / M5X15

28 N 0141551
fillister hd. bolt / AM5X22

29 N 0444331
stud / M6X18

30 059130329
hose in coils of 5m 'order unit 5' / 3,5X1,9 -RME-
shorten to: / 190MM



auxiliary heater / B3LP/D3LP / camp- mobile
heater unit
/ B3LC/D3LC / delivery van
/ kombi van

1 251261325A
bonded rubber mounting

2 N 10436101
pipe clip / G1-25X15

3 701819085B
exhaust pipe

4 701819259B
bracket for exhaust pipe

5 701819277
retaining bracket

6 701819471B
retainer / front / camp- mobile: / CALIF.-EXCL.

7 701819471B
retainer / front

8 701819472F
retainer / rear / camp- mobile: / CALIF.-EXCL.

9 701819472G
retainer / rear

10 701819472J
retainer

11 701819482
intake manifold

12 7D0819315
intake hose / B/D3L

13 701819506A
exhaust pipe with exhaust muffler, front

14 701819549B
retaining bracket

15 7D0819315
intake hose / B/D3L

16 N 01021710
hexagonal head bolt / M6X20

17 N 0150825
hexagon nut, shouldered / M6

18 N 0230028
hexagon nut, self-locking / AM6

19 N 10258101
pipe clip / AL23-35

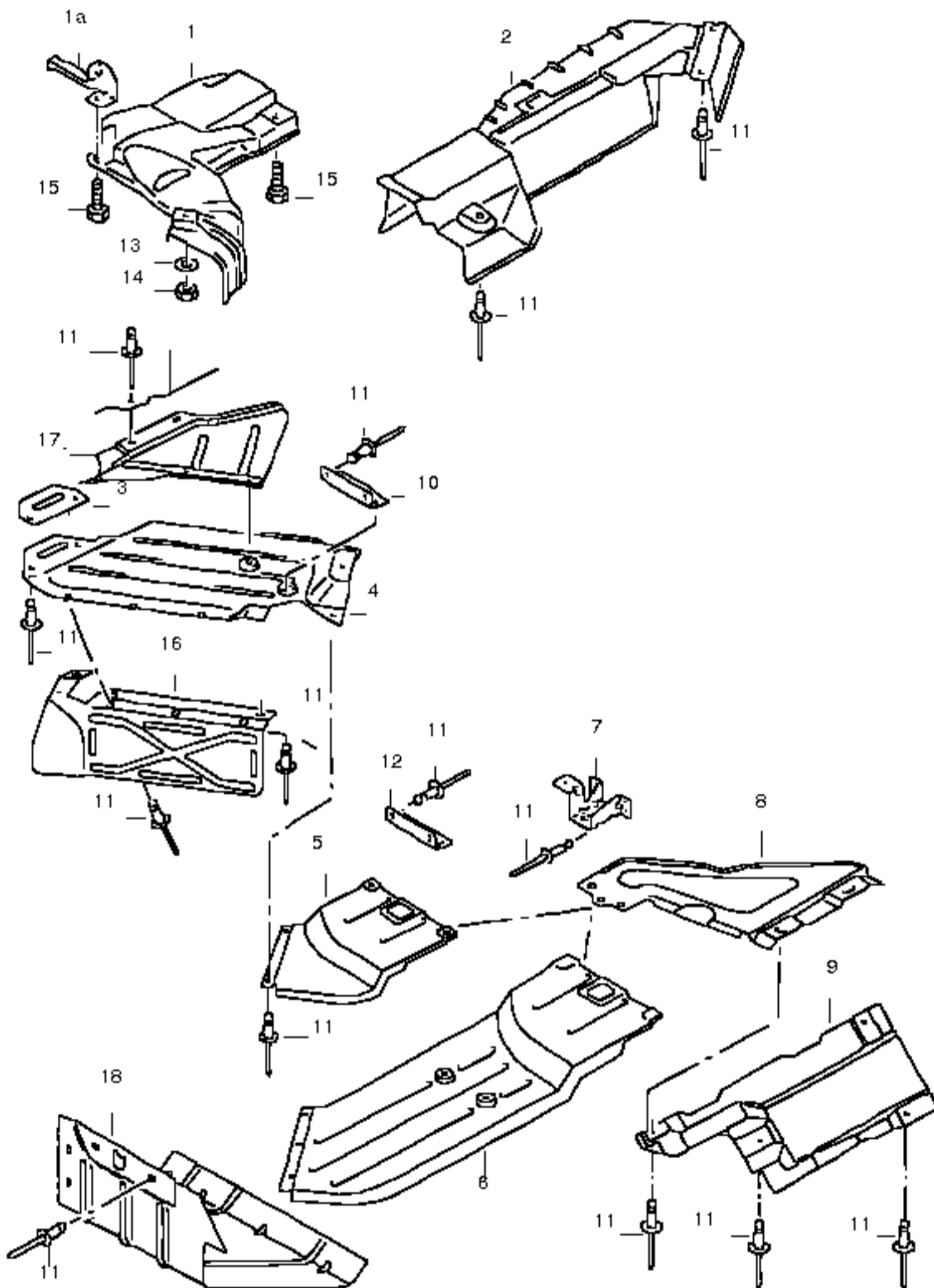
20 N 90666101
cable tie / 4,5X200
hole/sheet metal thickness: / 6,5 / 0,6-1,5

21 N 90352101
hexagon nut, shouldered / 5

22 N 90478601
pop-rivet / A4,8X11

23 701261243
pipe clip / 26-28MM

24 N 0120064
spring ring / B6



cover plates / AAC,ACU,AES,
 exhaust system / AEN
 / diesel eng.:
 / ABL,ACV,AAB

(1) 7D0253233D
 shield / front / ABL,ACV,AAB
 fuel tank

(1) 7D0253233E
 shield / front / AAC,ACU,AES,
 fuel tank / AEN

(1A) 701253230B
 bracket for exhaust system
 catalyst
 exhaust silencer, front

(1A) 7D0253230
 bracket for exhaust system
 exhaust silencer, rear

- N 10155901
 hexagon head bolt c/w shoulder / M8X20
 to be used for: / 701 253 230 B
 / 7D0 253 230

(2) 701253501D
 shield for step / PR-5R0,6AA,
 / 6AB:6AC:
 / delivery van
 / kombi van
 / bus
 / double cab

(2) 7D0253501A
 shield for step / PR-5R2,5R3,
 / 5R4,5R6:
 / delivery van
 / kombi van
 / bus
 / double cab

3 707253717
 shield / AAC,ACV,AEN:
 for models without emission control system / delivery van
 / kombi van
 / bus

3 707253717
 shield / double cab
 / pick-up

4 701253717C
 shield / AAC,ACU,AEN,
 / AAB,ACV
 / delivery van
 / kombi van
 / bus

5 701253718B
 shield / AAC,ACU,AES,
 for models with emission control system / AEN:
 / delivery van
 for models with wheelbase: / 2920MM / kombi van
 / bus

5 701253718B
 shield / AAB,ACV:
 for models with wheelbase: / 2920MM / delivery van
 / kombi van
 / bus

6 721253718B
 shield / AAC,ACU,AES,
 for models with emission control system / AEN:
 / delivery van
 for models with wheelbase: / 3320MM / kombi van
 / bus

6 721253718B
 shield / AAB,ACV:
 for models with wheelbase: / 3320MM / delivery van
 / kombi van
 / bus

7 701253741
 shield / AAC,ACU,AES,
 brake pressure reducer / AEN
 for models with emission control system

8 701253733D
 shield / rear / AAC,ACU,AES,
 for models with emission control system / AEN:
 / delivery van
 / kombi van
 / bus

9 7D1253734
 shield / rear / AAC,ACU,AES,
 for models with emission control system / AEN:
 / delivery van
 / kombi van
 / bus

10 701253713
 angle / delivery van
 / kombi van
 / bus

11 N 90826301
 pop-rivet / C4,8X8,8-K16,3

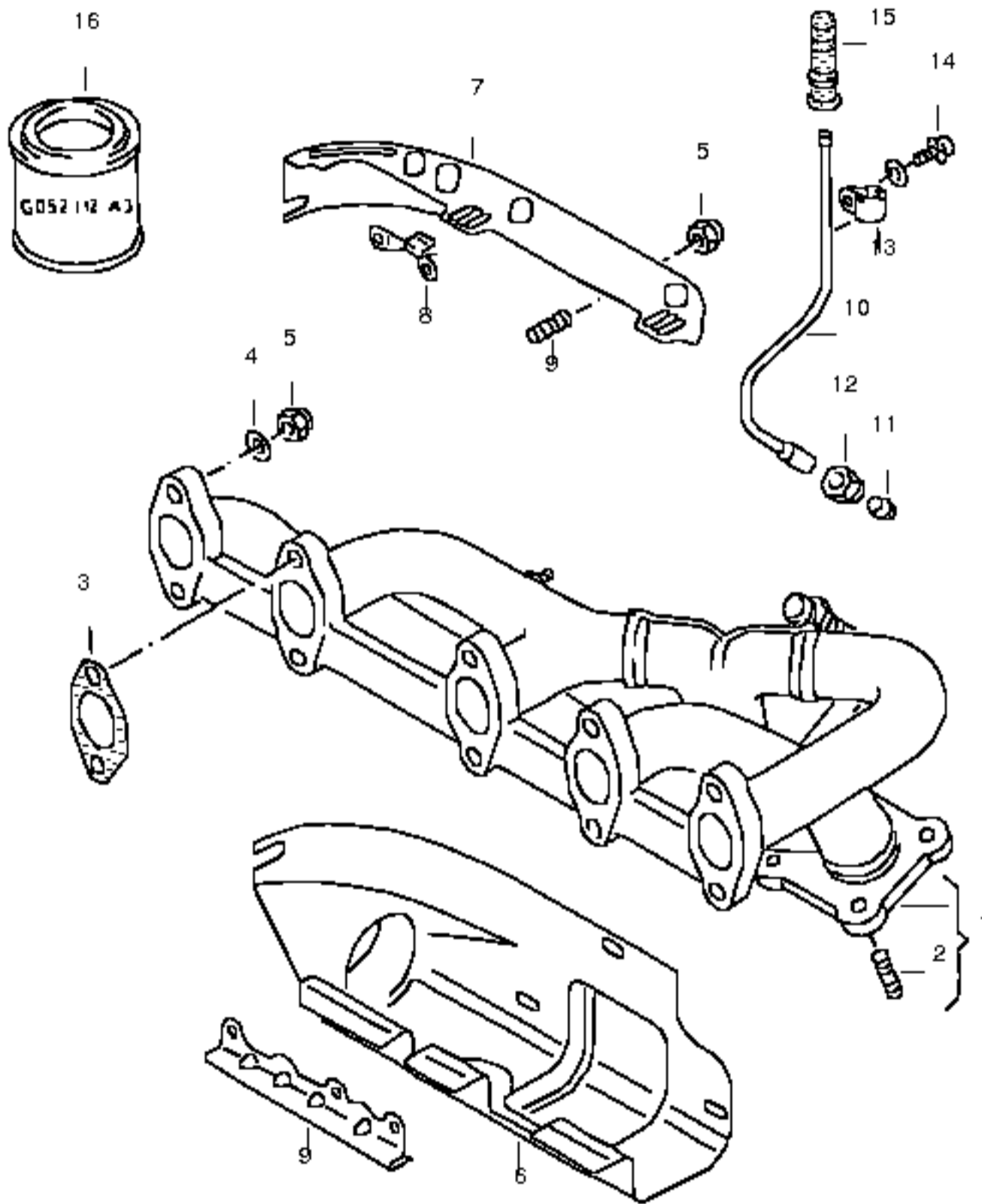
12 701253713
 angle / delivery van
 for models with wheelbase: / 3320MM / kombi van
 / bus

13 N 01167016
 washer / 8,4X24X2

14 N 01100830
 hexagonal nut / M8

15 N 0102336
 hexagonal head bolt / M8X28

16 701253763
 shield / ACU,AEN,AES
 additional heat exchanger / PR-6AB



exhaust manifold / 2.5ltr. / 5 cylinder:
/ ACU,AEN

1 023253031H
exhaust manifold
use if required: / 4A0 131 737 A
/ N 021 023 1
/ N 025 662 2

- 4A0131737A
cap nut / M14X1,5

- N 0210231
union nut / AL10

- N 0256622
ball / 12

2 N 0445203
stud / M10X28

3 028129589B
gasket

4 N 90095501
washer / 8,4X15X4

5 N 90200201
shouldered hex. nut, self-locking / AM8

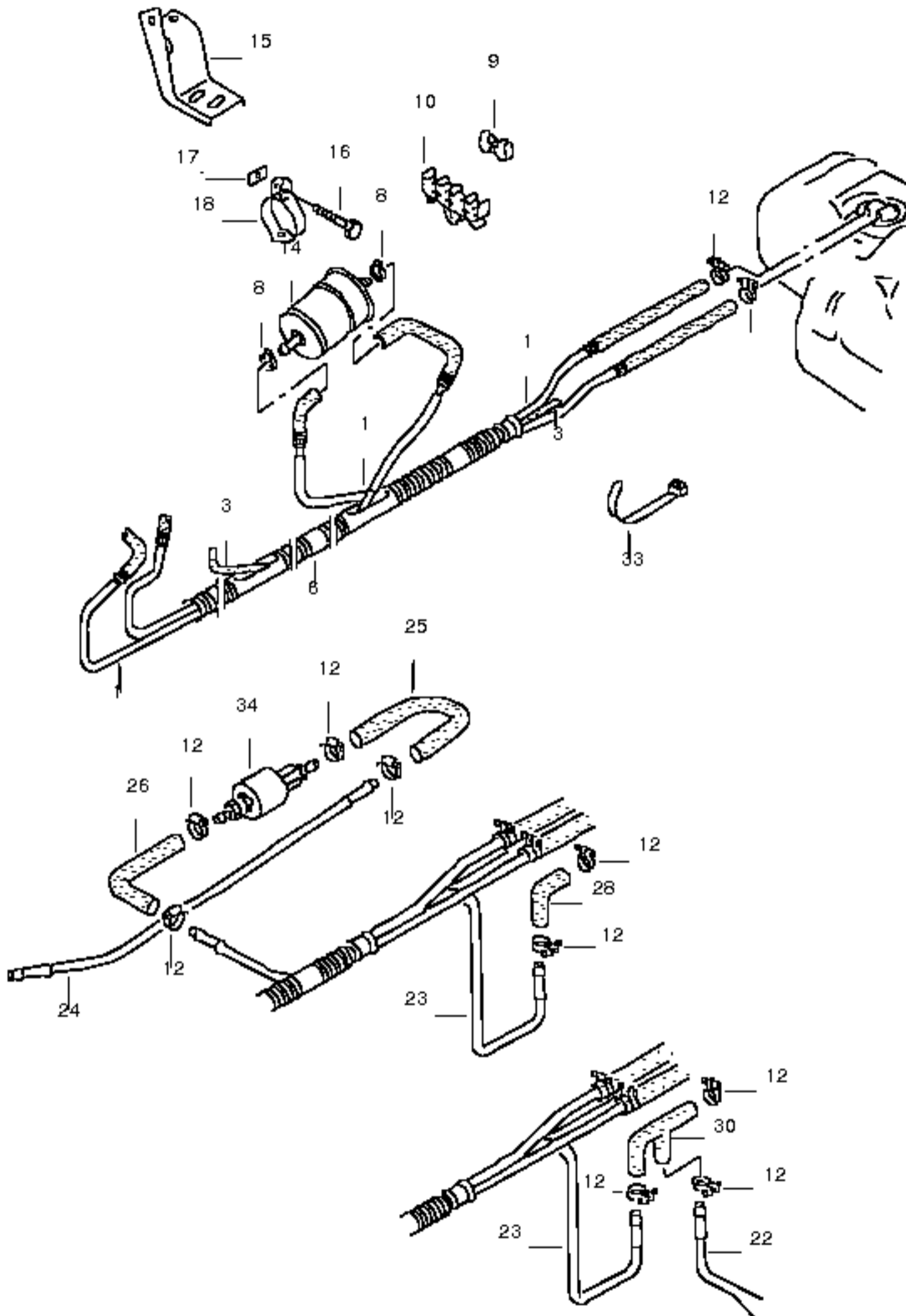
6 023253042B
warm air deflector plate / lower

7 023253043E
warm air deflector plate / upper

8 044253047
retainer / upper

9 044253048A
support / lower

16 G 052112A3
hot-bolt-paste / 170G



fuel line / 2.0-2.5 ltr. / AAC,ACU,AEN;
fuel filter / 2.8ltr. / AES

1 701201080BP
1 set of fuel pipes / AAC
feed- and return pipe in pairs

(1) 701201080BQ
1 set of fuel pipes / ACU,AEN
feed- and return pipe in pairs

(1) 7D0201080A
1 set of fuel pipes / AES
feed- and return pipe in pairs

3 7D0201858B
breather tube

6 -----
no longer available

8 N 10292201
spring-type clip / A14X12

9 049133687H
retainer

10 701201449A
clips

12 N 0241222
pipe clip / 9X11-15

14 1H0201511A
fuel filter

15 701201505D
bracket for fuel filter

16 N 0103484
hexagonal head bolt / M6X43

17 251813599
threaded plate / M6

18 251201679
retainer

22 701201901F
fuel line
for vehicles with auxiliary heater

23 701201901B
fuel line
for vehicles with
additional heater

24 701201901M
fuel line
for vehicles with
additional heater

- N 0202911
hose in coils of 5m 'order unit 5' / 3,5X3
shorten to: / 130MM
for vehicles with
additional heater

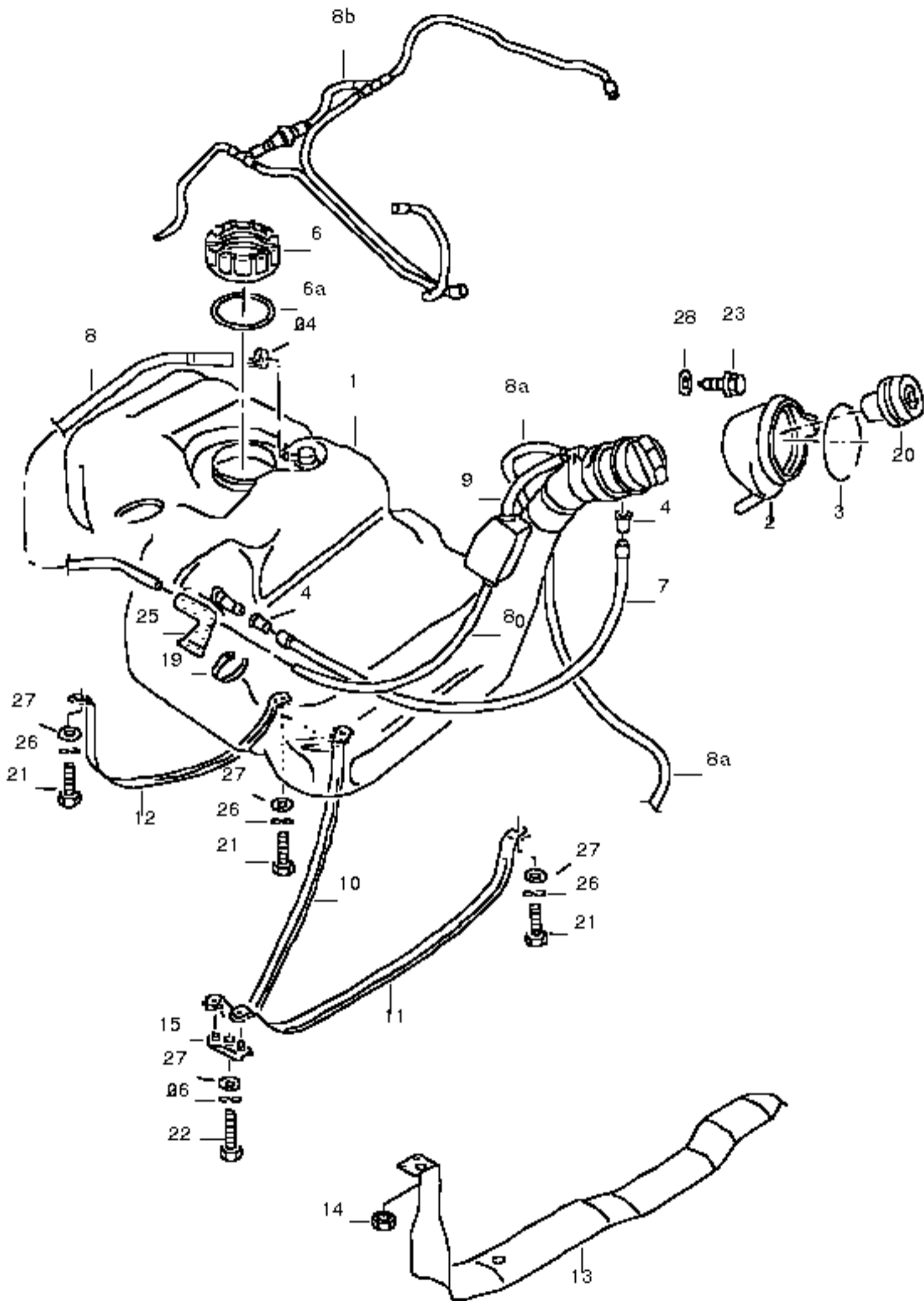
26 701201143
fuel hose
for models with supplementary heater

28 701201902E
fuel line
for vehicles with auxiliary heater
or additional heater

30 701201928B
t-piece
for vehicles with auxiliary heater
additional heater

33 N 90666101
cable tie / 4,5X200

34 701819100D
fuel pump / D3W
see illustration: / 819-64



fuel tank

(1) 7D0201075Q
fuel tank / diesel eng.
screw catch
also use: / 1H0 201 551

(1) 701201075AA
fuel tank

(1) 7D0201075L
fuel tank with narrow fuel filler neck (22mm) for lead-free fuel
also use: / 7D0 201 551 C

- 7D0201551C
cap, lockable for single key system with separate lock cylinder
but without tumblers, springs and keys for fuel tank

retaining band

2 7D0201253
retainer for fuel filler neck

3 357201255
ring

4 701201180
grommet

(4) 701201180B
grommet / diesel eng.
for vehicle use with vegetable oil methyl ester -pme-

6 321201375A
union nut
also use:
for vehicle use with vegetable oil methyl ester -pme-
/ 1J0 919 133

6A 1J0919133
seal / 109
for vehicle use with vegetable oil methyl ester -pme-

7 701201168
breather tube

(7) 7D0201168
breather tube / VR6

8 701201467
breather tube
shorten to: / 1950MM
use if required: / 357 201 311
/ N 906 661 01
/ N 020 130 2

- 357201311
angled hose

- N 90666101
cable tie / 4,5X200

- N 0201302
tube in coils of 5m 'order unit 5' / 8X1

(8) 701201467E
breather tube / diesel eng.

(8) 7D0201461
breather tube / VR6

8A 7D0201461A
breather tube / VR6

- N 0202811
hose in coils of 5m 'order unit 5' / 7X3

shorten to: / 85MM

10 701201635B
tensioning strap / center

11 701201653
tensioning strap / left

12 701201654
tensioning strap / right

15 701201661
retainer

19 N 0209022
cable tie / 6X246

20 7D0201551
cap, lockable for single key system with separate lock cylinder
but without tumblers, springs and keys for fuel tank

21 N 0195024
hexagon head bolt c/w shoulder / M8X25

22 N 0197002
hexagon head bolt c/w shoulder / M8X30

23 N 0159461
hexagon head panel screw / A6,5X19

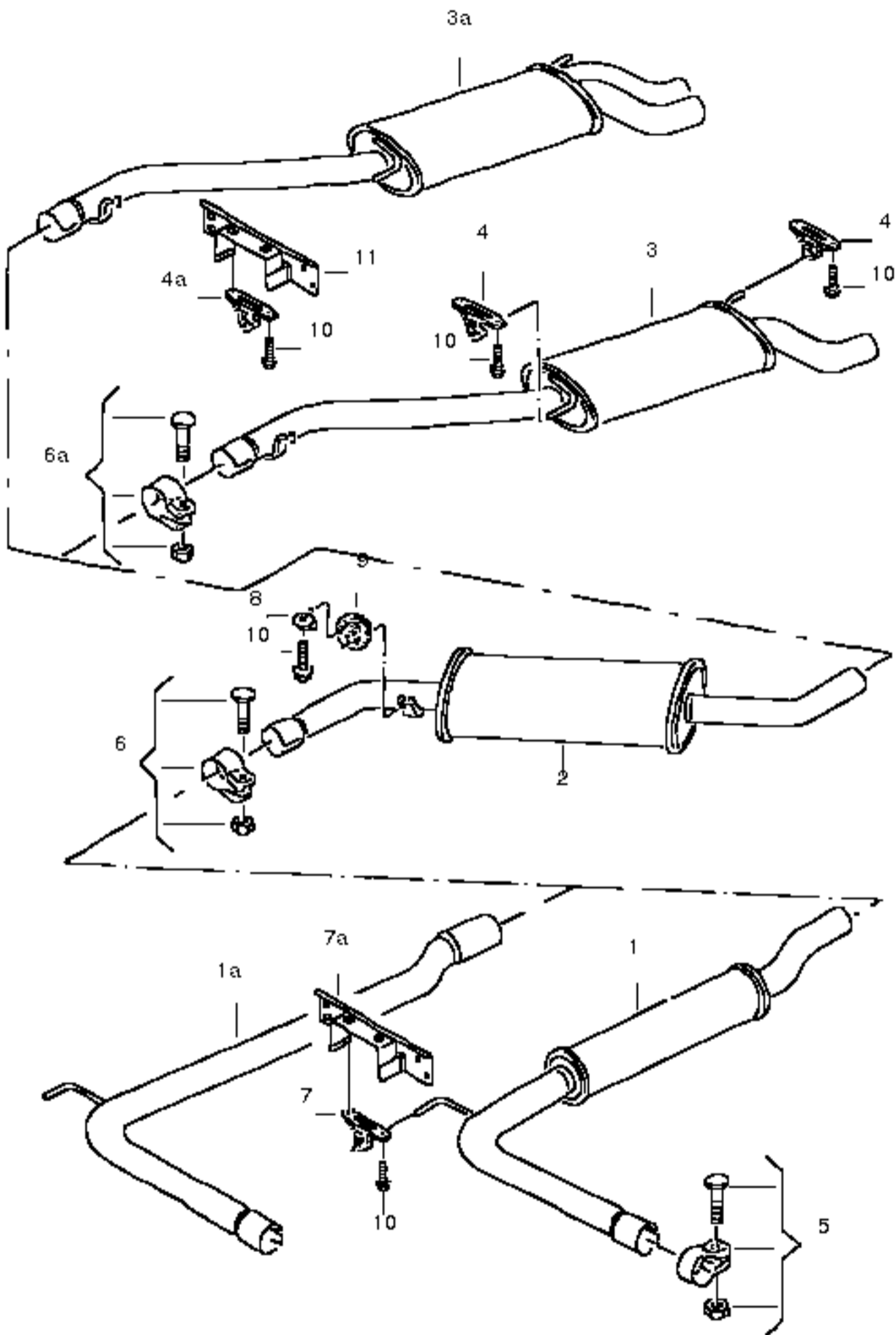
24 N 0241222
pipe clip / 9X11-15

25 895201890
end piece

26 N 01224110
spring washer / B8X15X0,8

27 N 0154013
washer / 8,4X21X4

28 N 01166615
washer / 6,4X18X1,6



exhaust silencer, front / 2.0ltr. / 4 cylinder:
 middle exhaust silencer / AAC
 exhaust silencer, rear / 2.5ltr. / 5 cylinder:
 / ACU;
 / "GUS","CN.": / AEN
 / diesel eng.:
 / 1.9ltr. / 4 cylinder: / ABL
 / 2.4ltr. / 5 cylinder: / AAB,ACV
 / 2.8ltr. / 6 cylinder: / AES

(1) 023253209
 exhaust silencer, front / AAC,ACU,AEN

(1) 074253209C
 exhaust silencer, front / AAB

(2) 074253409P
 middle exhaust silencer / ACV
 for models with wheelbase: / 3320MM
 for models with wheelbase: / 2920MM
 shorten rear by: / 400MM

(2) 028253409R
 middle exhaust silencer / ABL,AAB
 for models with wheelbase: / 3320MM
 for models with wheelbase: / 2920MM
 shorten rear by: / 400MM

(2) 023253409AJ
 middle exhaust silencer / AAC,ACU,AES, / AEN
 for models with wheelbase: / 3320MM
 for models with wheelbase: / 2920MM
 shorten rear by: / 400MM

(3A) 074253609AL
 exhaust silencer, rear / ACV:
 / delivery van
 / kombi van
 / bus

(3A) 074253609AM
 exhaust silencer, rear / ACV:
 / pick-up
 / double cab

(3A) 074253609BA
 exhaust silencer, rear / AAB,ABL:
 / delivery van
 / kombi van
 / bus

(3A) 074253609BB
 exhaust silencer, rear / AAB,ABL:
 / pick-up
 / double cab

(3) 044253609AH
 exhaust silencer, rear / AAC,ACU,AES,
 / AEN:
 / delivery van
 / kombi van
 / bus

(3) 044253609AJ
 exhaust silencer, rear / AAC,ACU,AES,
 / AEN:
 / pick-up
 / double cab

(4) 1H0253144C
 retainer

4A 3A0253144
 retainer

(6) 1H0253139D
 pipe clip / 59,5

7 1H0253144C
 retainer
 see illustration: / 253-60

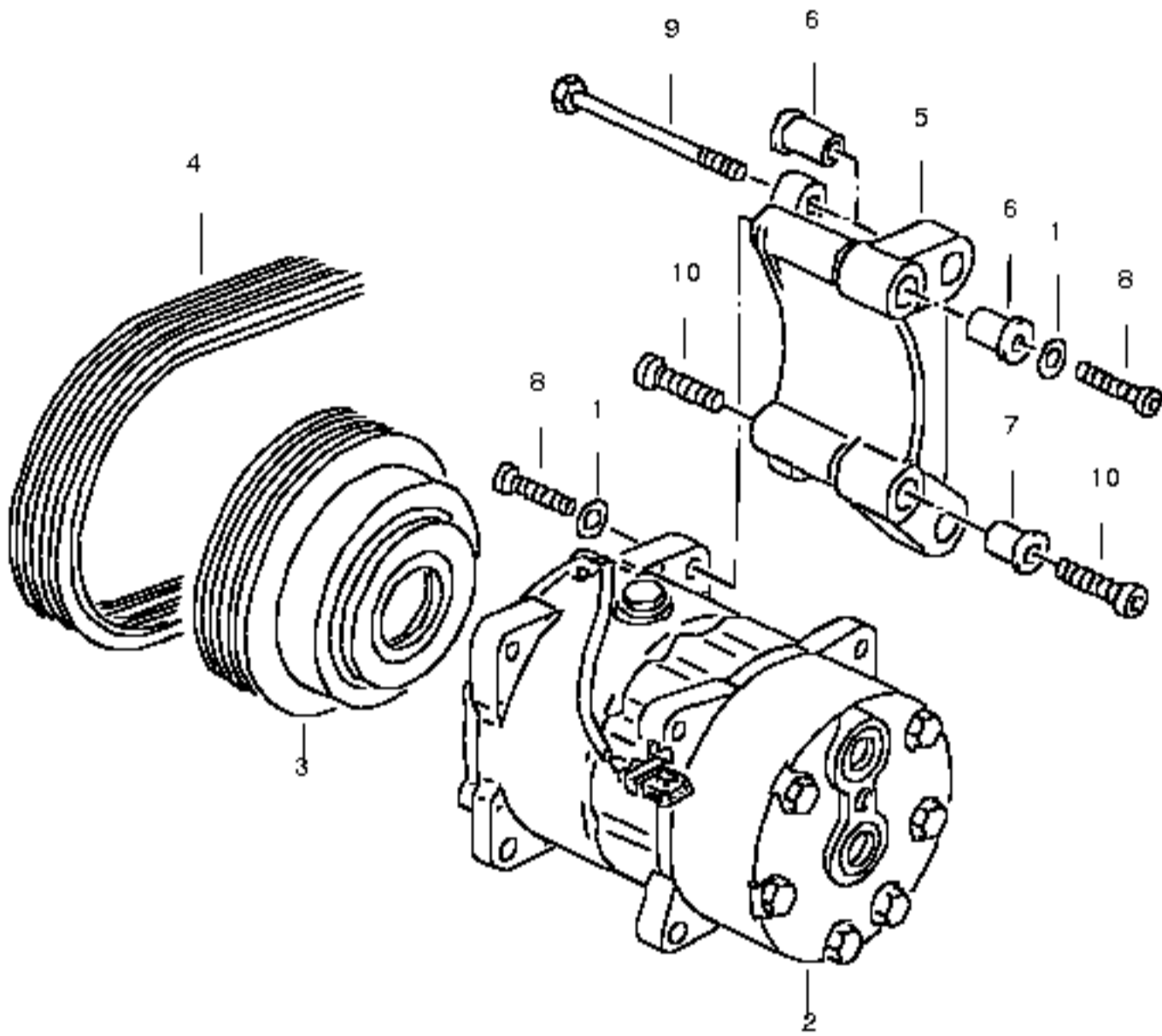
(9) 701253144B
 retainer

10 N 10155901
 hexagon head bolt c/w shoulder / M8X20

11 7D0253230
 bracket for exhaust system

- 023253701A
 shield / "AUS"

- N 10338901
 hexagon head bolt c/w shoulder / M6X16 / "AUS"



refrigerant compressor / 5 cylinder:
connecting and mounting parts for compressor / ACU;
/ "GUS", "CN ": / AEN;
/ diesel eng.: / AAB, ACV

1 111129720

washer / 8,4

(2) 701820805Q

refrigerant compressor with electro-magnetic coupling
F >> 70-T-240 000*

(2) 7D0820805

refrigerant compressor with electro-magnetic coupling
F 70-T-240 001>>*>
for vehicles with 2nd evaporator the oil capacity
must be increased to 105 cm³

- G 052100A2

oil for refrigerant compressor / 250ML
for refrigerant: / R134A

3 701820811E

electro-magnetic coupling / 128MM

(4) 074260849AB

ribbed v-belt / 21,36X2236MM / AAB, ACV,
for vehicles with air condit. / manual- gearbox:
/ ACU, AEN

(4) 074260849AC

ribbed v-belt / 21,36X2224MM / automatic:
for vehicles with air condit. / ACU, AEN

(5) 074260881F

bracket - compressor

6 028260921A

threaded bush

7 028260921A

threaded bush

9 N 10120803

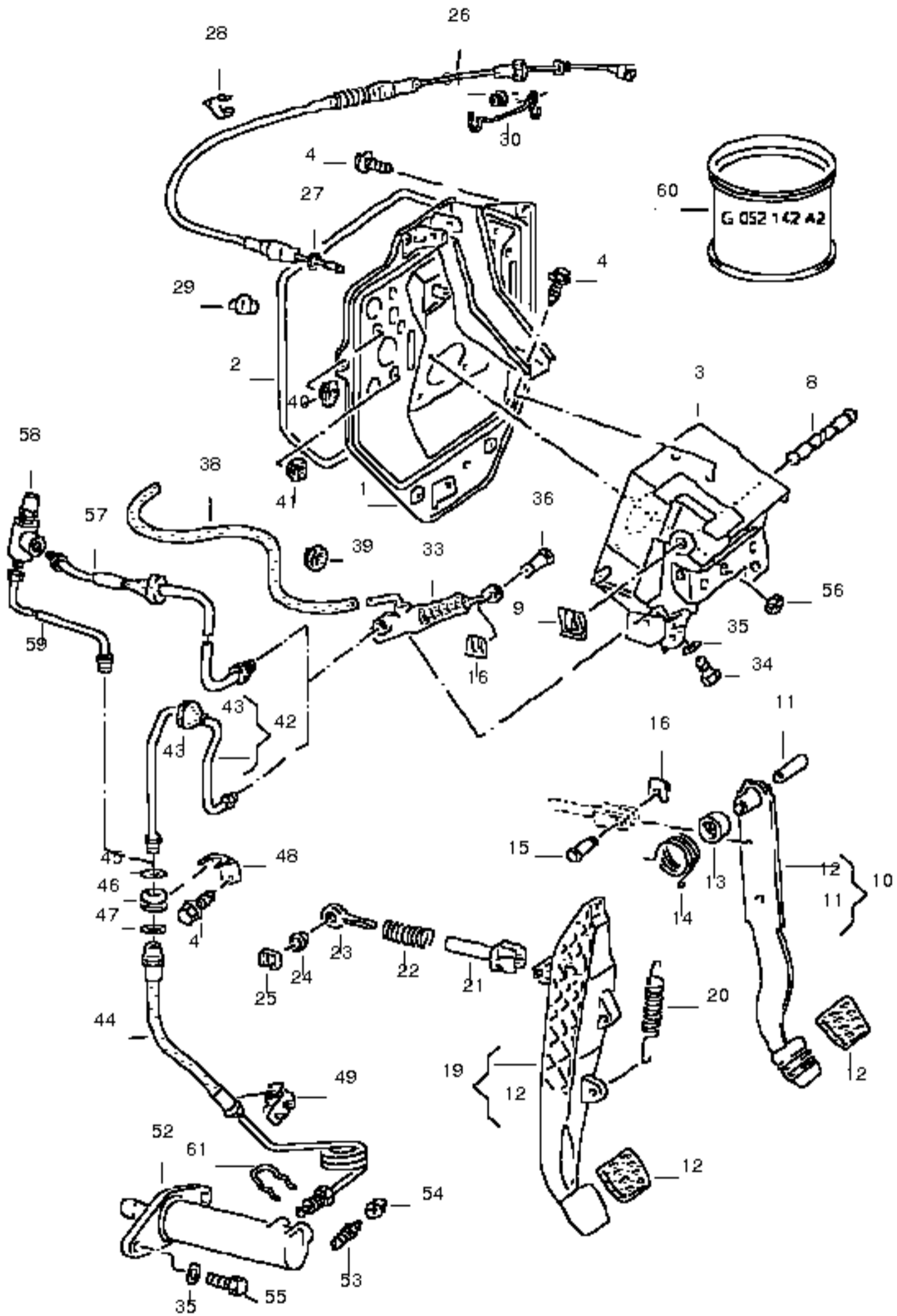
hexagon head bolt c/w shoulder / M8X85

(10) N 90227901

cheese head bolt / M10X110

- N 0115608

washer / 10,5X18X1,6



brake and clutch pedals cluster / lhd

1 7D1721039
mounting plate
F >> 70-T-225 000* / lhd

(1) 7D1721039A
mounting plate
F 70-T-225 001>>* / lhd

2 AKD49701004
sealing cord in coils of 10m 'order unit 1'
AKD49701004R10 sealing cord / 10X2MM

3 701721115L
bearing bracket

(3) 701721115M
bearing bracket
for models with hydraulic clutch operation

4 N 10063202
hexagon head bolt c/w shoulder / M8X20

8 701721123
bearing pin / manual gearbox

(8) 701723123
bearing pin / automatic

9 N 90236202
lock washer / 10X0,6

10 701721141D
brake pedal / manual gearbox

(10) 701723141D
brake pedal / automatic

11 191721153
bearing bush

12 321721173
cap / manual gearbox
321721173 01C satin black

(12) 191723173
cap / automatic
for brake pedal

13 701721164
bearing bush

14 701721163
torsion spring

15 N 90051201
pin / 10D11X20,6X7,1

16 N 90254701
lock washer / 8X0,5

19 701721315B
pedal clutch

20 701721363
tension spring

21 191721421
guide

22 191721427
pressure spring

23 191721422
guide

24 191721430
bush

25 N 90064901
lock washer / 6

26 7D1721335
clutch cable

27 028109411
round seal / 11X2

28 701721399A
retainer

30 7D1721399
shackle

31 N 90481701
hexagon head bolt (combi) / M8X20

33 701721401
master cylinder

(33) 701721401B
master cylinder / ACV,AES,

34 N 01023911
hexagonal head bolt / M8X18

35 N 01152520
washer / A8,4X16X1,6

36 N 90524001
pin / 10D11X37,5X33

38 N 90080703
hose / 7,3X3X420

41 803803583A
plug / 19

42 701721461A
pressure pipe

43 701721493
grommet

44 701721477E
pressure hose

(44) 701721477D
pressure hose / ACV,AES,

46 701721459
connecting piece

47 02F141143A
seal / 9,25X6,07X1,78

48 701721463
retainer

49 7D0721487
retainer

(49) 701721487B
retainer / ACV,AES

52 357721261A
slave cylinder
slave cylinder / TDI
see illustration: / 141-20 POS.4
intermediate piece
see illustration: / 301-35

53 357615273
bleeder valve / M10X1

54 211611483
dust cap

55 N 01024416
hexagonal head bolt / M8X30

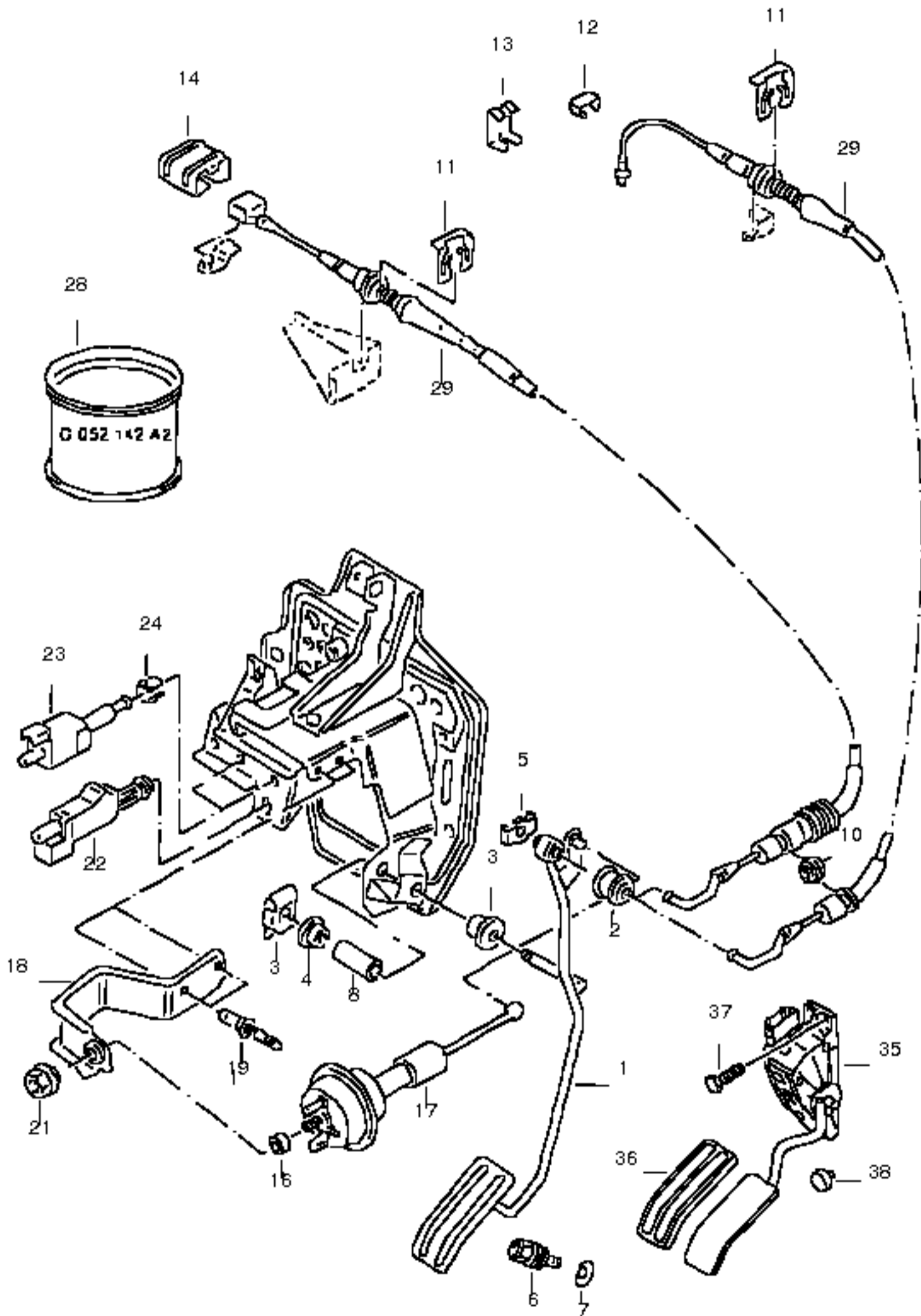
56 N 90074401
hexagon nut, self-locking / M8

57 701721461E
pressure pipe / ACV,AES,

58 701721451A
intermediate piece / ACV,AES,

59 701721462A
pressure pipe / ACV,AES,

(60) G 052142A2
poly lubricant / 400G



foot accelerator pedal
accelerator cable

1 701721507E
foot accelerator pedal / lhd / manual gearbox

(1) 702721507E
foot accelerator pedal / rhd / manual gearbox

(1) 701723507G
foot accelerator pedal / lhd / automatic

(1) 702723507G
foot accelerator pedal / rhd / automatic

2 191721559
bush / manual gearbox

(2) 191723559
bush / automatic

3 803723559
bearing bush

4 N 90047001
lock washer / 6X0,4
/ lhd

(4) N 90064901
lock washer / 6
/ rhd

5 171721563
clips / automatic

6 701723527
stop buffer / automatic

7 171723528
collar / automatic

8 702721543
sleeve

10 701721591
grommet

11 N 90095603
lock washer / 7

14 171721570A
securing clip / diesel eng.

16 281259357A
spacer bush / automatic
throttle control element
see illustration: / 907-10

18 701721394
retaining panel

19 N 90478601
pop-rivet / A4,8X11

21 535907519
hexagonal nut
switch - brake light
see illustration: / 945-50
ventilation valve
see illustration: / 907-10

24 431721283B
clip / 13

25 811971849
cable holder / 8/9
G 052745A3
universal low temperat. grease / 1KG

accelerator cable / manual gearbox

29 701721555J
accelerator cable / lhd / AAC,

(29) 702721555G
accelerator cable / rhd / AAC,

(29) 7D1721555
accelerator cable / lhd / ACU,

(29) 7D2721555A
accelerator cable / rhd / ACU,

(29) 701721555R
accelerator cable / lhd / AES,

(29) 702721555K
accelerator cable / rhd / AES,

(29) 701721555M
accelerator cable / lhd / diesel eng.: / ABL,

(29) 7D2721555
accelerator cable / rhd / diesel eng.: / ABL,

(29) 701721555AA
accelerator cable / lhd / diesel eng.: / AAB,

(29) 701721555K
accelerator cable / rhd / diesel eng.: / AAB,
accelerator cable / automatic

(29) 701723555C
accelerator cable / lhd / AAC,

(29) 701723555H
accelerator cable / lhd / AJA

(29) 702723555C
accelerator cable / rhd / AAC

(29) 7D1723555
accelerator cable / lhd / ACU

(29) 7D2723555
accelerator cable / rhd / ACU

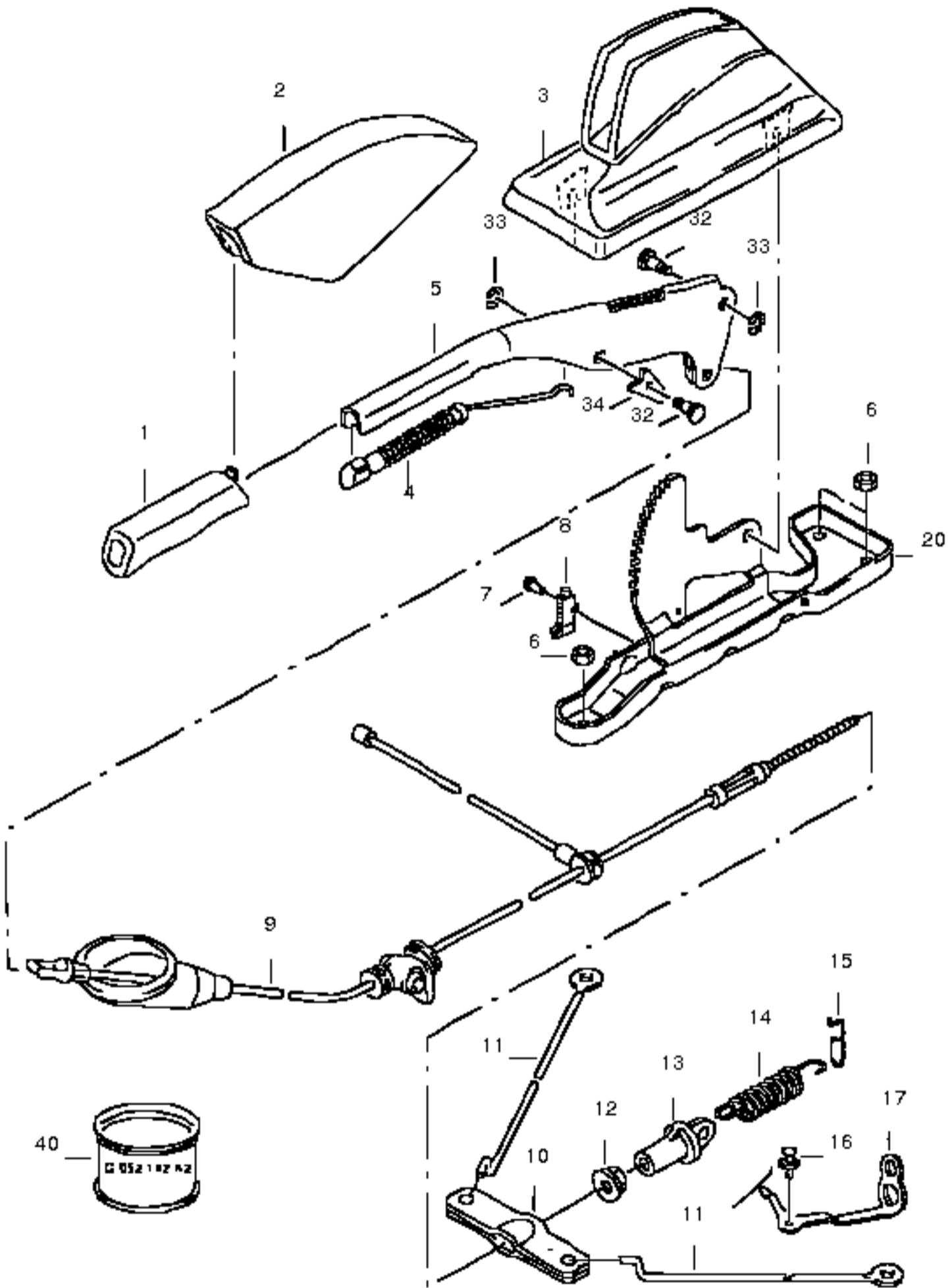
(29) 701723555G
accelerator cable / lhd / AES

(29) 702723555G
accelerator cable / rhd / AES

(29) 701723555D
accelerator cable / lhd / diesel eng.: / AAB,

(29) 702723555D
accelerator cable / rhd / diesel eng.: / AAB

- G 052142A2
poly lubricant / 400G



hand brake lever

1 701711327A
handle
701711327A 01C satin black

2 701711464
covering
hand brake lever
701711464 01C satin black
701711464 Q70 light beige
701711464 9UW sahara

3 701711463
handbrake lever trim
701711463 01C satin black
701711463 Q70 light beige
701711463 9UW sahara

4 7D0711323
push rod

5 7D1711301
hand brake lever / lhd
also use: / 701 711 476 A / deliv. van,
/ kombi van
/ bus
/ 707 711 476 A / pick-up
/ double cab

(5) 7D2711301
hand brake lever / rhd
also use: / 701 711 476 A / deliv. van,
/ kombi van
/ bus
/ 707 711 476 A / pick-up
/ double cab

6 N 90074401
hexagon nut, self-locking / M8
see illustration: / 947-10
see illustration: / 947-10

9 701711476
cable with roller and seal / delivery van
/ kombi van
/ bus

(9) 707711476
cable with roller and seal / pick-up
/ double cab

10 701711481
compensating lever

11 701711475
pull rod
wheelbase: / 2920MM

(11) 721711475
pull rod
wheelbase: / 3320MM

12 N 90286703
hex. nut, self-locking with washer / M6

13 701711367
spring retainer

14 701711247
tension spring / delivery van
/ kombi van
/ bus

(14) 707711247
tension spring / pick-up
wheelbase: / 2920MM

(14) 727711247
tension spring / pick-up
wheelbase: / 3320MM / double cab

15 281711249
retainer

16 447857909
clip

17 7D1711453B
bracket for brake cable / left

(17) 7D1711454A
bracket for brake cable / right

20 701711311
mounting for handbrake lever / lhd

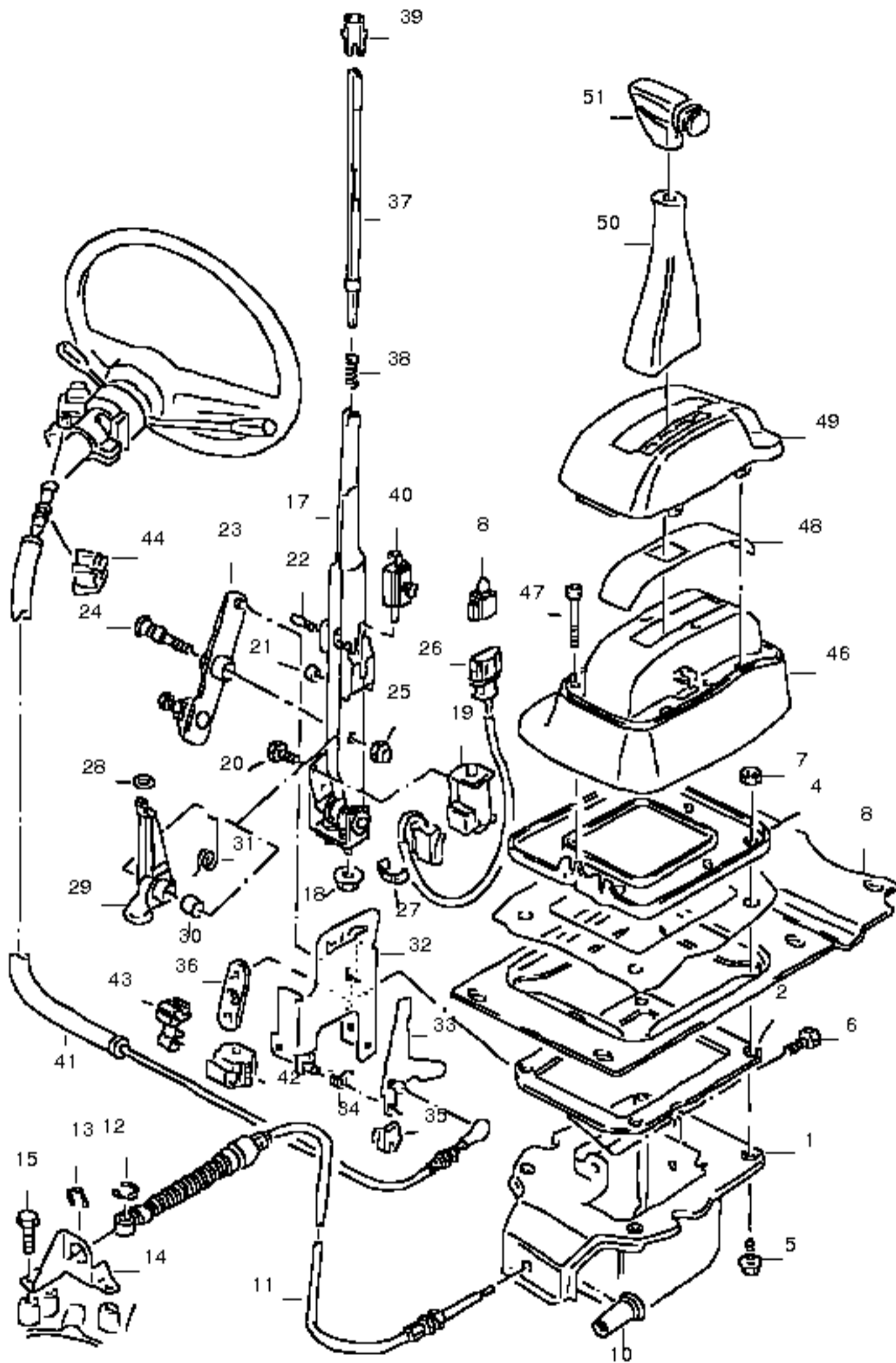
(20) 702711331
mounting for handbrake lever / rhd

32 N 90209501
pin / 8H11X13,25X
/ 9,75

33 N 0124373
lock washer / 7

34 251711321
pawl

40 G 052735A2
universal grease / 120G



shift mechanism / automatic

- 357919243A
bulb holder with bulb / green
for selector lever lighting
357919243A K25 green

1 701713061B
gearshift housing / lhd

(1) 702713061B
gearshift housing / rhd

2 701713075
gasket

3 701801079
support plate

4 701713631A
frame / lhd

(4) 702713631
frame / rhd

5 N 10157902
hexagonal head bolt / M6X25

6 N 0102376
hexagonal head bolt / M8X12

7 N 01100624
hexagonal nut / M6

10 701713167
grommet

11 701713265A
cable for shift mechanism / lhd

(11) 702713265E
cable for shift mechanism / rhd

- 702713317
retainer / rhd

12 N 0123292
lock washer / 9

13 357711280
lock washer

14 701713281
abutment / lhd

(14) 702713281
abutment / rhd

15 N 01021527
hexagonal head bolt / M6X15

17 701713123B
selector lever guide / lhd

(17) 702713123B
selector lever guide / rhd

18 N 90074401
hexagon nut, self-locking / M8

electro magnet
see illustration: / 927-50

20 N 0102631
hexagonal head bolt / M4X6

21 701713843
glide piece

22 701713133A
grub screw / lhd

(22) 702713133
grub screw / rhd

23 701713451C
relay lever

24 701713841A
shouldered bolt

25 N 10286102
shouldered hex. nut, self-locking / M10

wiring
see illustration: / 972-98

27 701971615A
clips

28 N 90448602
round seal / 4X1,5-N

29 701713835C
locking lever

also use: / 701 713 145 B
/ N 904 486 02

30 701713143A
bush

31 701713145B
leg spring

32 7D0713105
ball housing - gearshift lever

33 701713525B
locking lever

34 701713585B
leg spring

35 701713529
bearing piece

36 701827267A
threaded plate

37 701713413D
gearshift lever

38 171713149
pressure spring

39 357713828
bush

starter inhibitor switch / rhd
see illustration: / 927-50

41 701713575
locking cable / lhd

(41) 702713575A
locking cable / rhd

42 701713849
clip

43 N 10298801
retainer / A01-6XC06-8

44 701927421
clips

46 701713603A
console / lhd
701713603A 01C satin black

(46) 702713603
console / rhd
702713603 01C satin black

47 N 0441731
fillister hd. bolt / BM4X55X22
/ lhd

(47) N 0141244
fillister hd. bolt / M4X35

48 701713605
cover strips
701713605 01C satin black

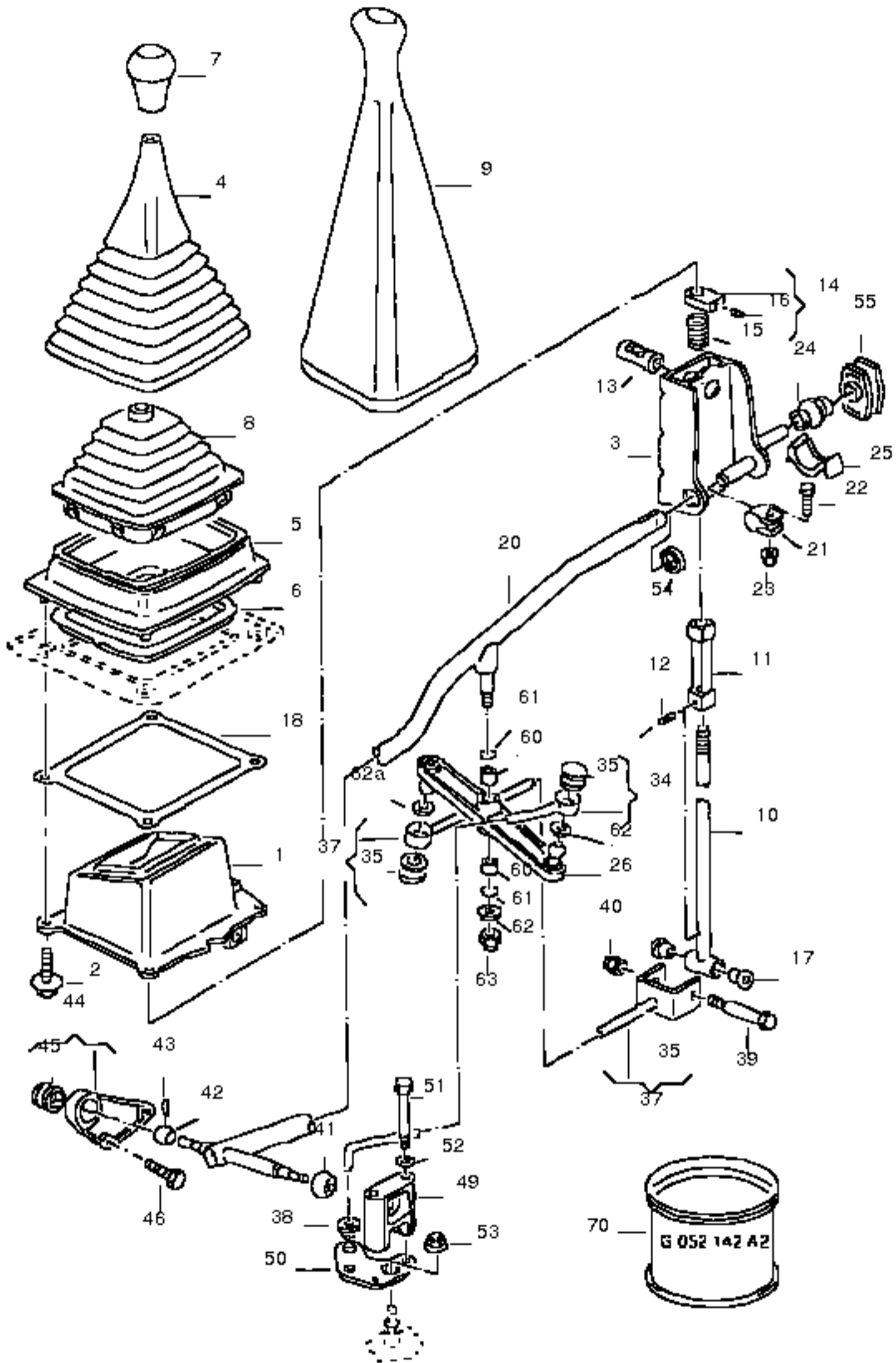
49 701713607
trim for shift mechanism / lhd
701713607 01C satin black

(49) 702713607
trim for shift mechanism / rhd
702713607 01C satin black

50 701713609A
lining
701713609A 01C satin black

51 7D1713139
gearstick knob / chrome
/ lhd

(51) 7D2713139
gearstick knob / chrome
/ rhd



shift mechanism / manual gearbox

1 7D1711071A

housing for shift mechanism / lhd

(1) 7D2711071A

housing for shift mechanism / rhd
also use: / 7D0 711 395

2 N 10157902

hexagonal head bolt / M6X25

3 701711105B

ball housing - gearshift lever / lhd

(3) 702711105A

ball housing - gearshift lever / rhd

4 705711115

bellows
705711115 01C satin black

5 701711120

frame for boot / lhd
701711120 01C satin black

(5) 702711120

frame for boot / rhd
702711120 01C satin black

6 701711136

gasket / lhd

(6) 702711136

gasket / rhd

7 1H0711141A

gearstick knob / 1-5,R
1H0711141A 01C satin black

8 7D1711122

gaiter / lhd

(8) 7D2711122

gaiter / rhd

10 7D1711121

gearshift lever / lhd
also use: / N 104 411 01

(10) 7D2711121B

gearshift lever / rhd
also use: / N 104 411 01

(10) 7D1711121A

gearshift lever / lhd
for vehicles with dual passenger seat
also use: / N 104 411 01

(10) 7D1711121B

gearshift lever / lhd / "NL."
for vehicles with dual passenger seat
also use: / N 104 411 01

(10) 7D2711121C

gearshift lever / rhd
for vehicles with dual passenger seat
also use: / N 104 411 01

11 7D0711124A

guide bush

12 N 0133051

spring sleeve / 4X22

13 701711125A

bearing pin

14 701711148

limit stop
also use: / N 104 411 01

15 823711197A

pressure spring

16 N 10441101

threaded pin / M6X16

17 701711169

bearing bush

20 701711573E

selector rod
also use: / 7D0 711 131
/ 7D0 711 561
/ 7D0 711 202
/ 701 711 164 A
/ 171 711 181
/ 701 711 591 C
/ 702 711 591 C
/ 015 311 544

- 7D0711131

ball
also use: / 7D0 711 561
/ 7D0 711 202
/ 701 711 164 A
/ 171 711 181
/ 701 711 591 C
/ 701 711 573 E
/ 015 311 544

- 7D0711202

relay lever
also use: / 7D0 711 561
/ 7D0 711 131
/ 701 711 164 A
/ 171 711 181
/ 701 711 591 C
/ 701 711 573 E
/ 015 311 544

- 701711164A

bearing bush
also use: / 7D0 711 561
/ 7D0 711 202
/ 7D0 711 131
/ 171 711 181
/ 701 711 591 C
/ 701 711 573 E
/ 015 311 544

- 701711591C

selector shaft / rear lhd
also use: / 7D0 711 561
/ 7D0 711 202
/ 701 711 164 A
/ 171 711 181
/ 701 711 591 C
/ 701 711 573 E
/ 015 311 544

21 1J0711603

pipe clip

22 N 0103404

hexagonal head bolt / M8X40

23 N 90226403

shouldered hex. nut, self-locking / M8

26 701711202

relay lever
also use: / 701 711 164
/ 701 711 965
/ N 022 146 8
/ N 028 210 2

29 N 90330201

washer / 8,4X20X1,6

30 N 0221468

hexagon nut, self-locking / VM8

34 7D0711561

selector shaft / front
also use: / 701 711 591 C
/ 701 711 573 E
/ 7D0 711 202
/ 171 711 181
/ 7D1 711 164 A
/ 7D0 711 131
/ 015 311 544

35 701711066

bush for gearshift rod

37 701711591C

selector shaft / rear lhd
also use: / 015 311 544
/ 171 711 181
/ 701 711 164 A
/ 7D0 711 202
/ 7D0 711 561
/ 7D0 711 131
/ 701 711 573 E

(37) 702711591C

selector shaft / rear rhd

38 171711181

bearing bush
also use: / 7D0 711 131
/ 701 711 164 A
/ 7D0 711 202
/ 701 711 573 E
/ 701 711 591 C
/ 7D0 711 561
/ 015 311 544

39 251711199

fitted bolt

40 N 02214811

hexagon nut, self-locking / VM6

41 015311544

ball

42 7D0711131

ball
also use: / 701 711 164 A
/ 7D0 711 202
/ 701 711 573 E
/ 701 711 591 C
/ 7D0 711 561
/ 015 311 544
/ 171 711 181

43 N 0232821

spring sleeve / 3X16

44 701711271A

bearing bracket

45 701711166

bush

46 N 01023911

hexagonal head bolt / M8X18

49 701711243

clevis

50 701711223

lever

51 N 0103681

hexagonal head bolt / M6X62

52 N 01152423

washer / A6,4X12,5X1,6

53 N 90908301

shouldered hex. nut, self-locking / M8

54 701711066A

guide ring

55 701711259B

bearing ring

60 701711164

bearing bush

61 N 0282102

round seal / 11,8X2,5

62 N 90057703

washer / 8,4X21X2 / AZG

62A 701711965

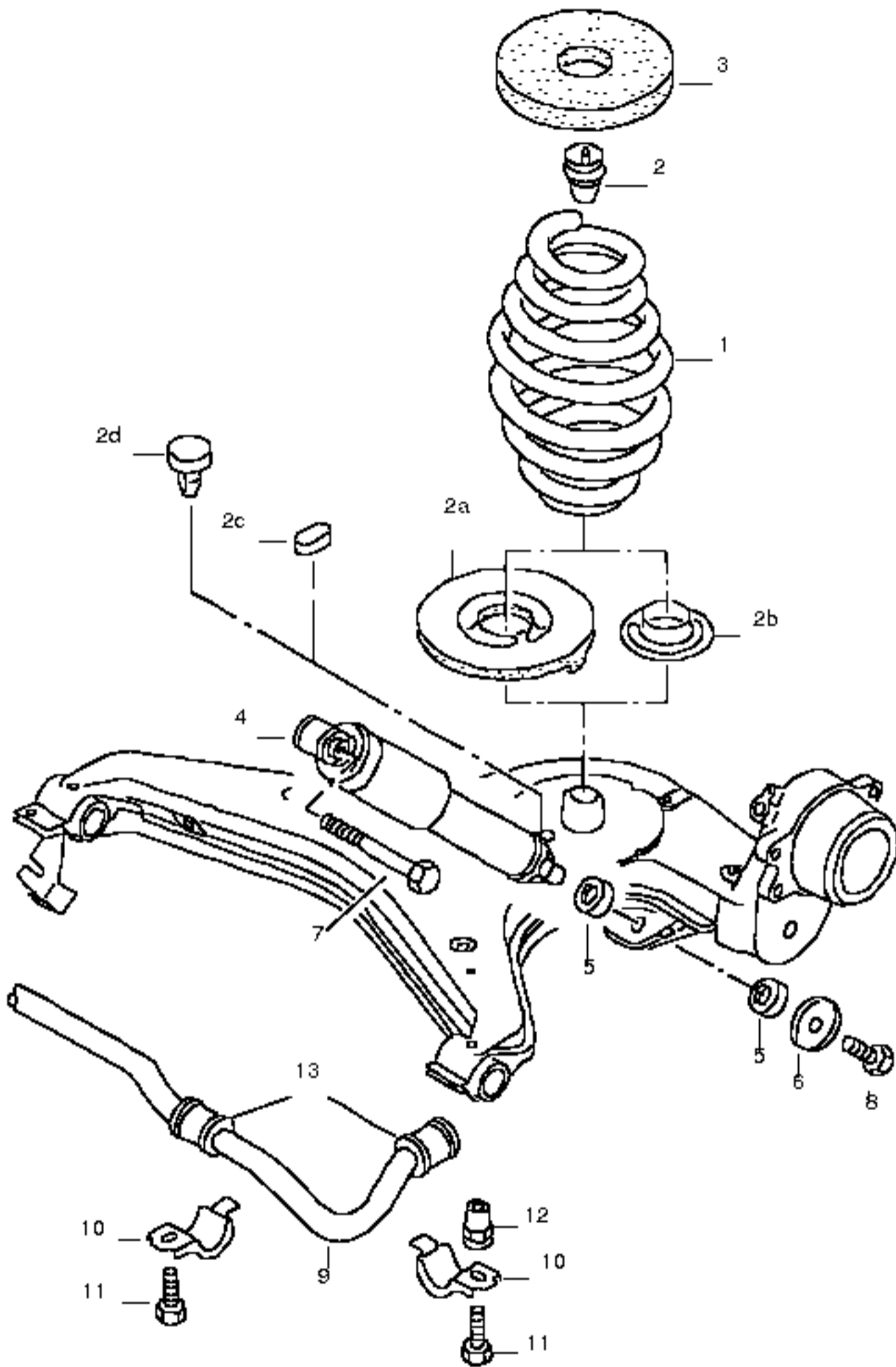
sealing washer

63 N 0221468

hexagon nut, self-locking / VM8

70 G 00045002

grease / 90G



suspension / rear
stabilizer

1 701511105

coil spring / pick-up
marked with: / violet / low-loader pick-up
for vehicles with payload of: / 1000KG
wheelbase: / 2920/3320MM / double cab

(1) 701511105M

coil spring / delivery van
marked with: / pink / kombi van
for vehicles with payload of: / 1200KG / bus
wheelbase: / 2920/3320MM; / kombi van with seats
/ MULTIVAN

(1) 701511105M

coil spring / PR-1P2/1P3:
marked with: / pink / delivery van
for vehicles with payload of: / 1000KG / kombi van
wheelbase: / 2920/3320MM

(1) 701511105C

coil spring / delivery van
marked with: / white
for vehicles with payload of: / 800/1000KG
wheelbase: / 2920MM;
for vehicles with payload of: / 1000KG
wheelbase: / 3320MM

(1) 701511105C

coil spring / PR-1P2,1P3:
marked with: / white / MULTIVAN,
/ bus
/ kombi van with seats

(1) 701511105P

coil spring / kombi van
marked with: / light blue / kombi van with seats
for vehicles with payload of: / 800/1000KG;
wheelbase: / 2920MM;
for vehicles with payload of: / 1000KG
wheelbase: / 3320MM

(1) 701511105B

coil spring, heavy-duty / PR-0J3,0J4:
marked with: / red brown / pick-up
for vehicles with payload of: / 1200/2000KG
/ low-loader pick-up
/ double cab

(1) 701511105B

coil spring, heavy-duty / PR-1P2,1P3:
marked with: / red brown / pick-up
for vehicles with payload of: / 1000KG / low-loader pick-up
wheelbase: / 2920/3320MM
/ double cab

(1) 701511105F

coil spring / ambulance
marked with: / green
wheelbase: / 2920/3320MM

(1) 701511105P

coil spring / bus
marked with: / light blue / MULTIVAN
for vehicles with payload of: / 1000KG
wheelbase: / 2920/3320MM
for vehicles with payload of: / 800KG
wheelbase: / 2920MM

(1) 701511105L

coil spring / MULTIVAN
marked with: / grey
for vehicles with lowered running gear

(1) 701511105K

coil spring / camp- mobile:
marked with: / yellow
for vehicles with payload of: / 1000KG / CALIFORNIA
wheelbase: / 2920/3320MM

2 701501191

stop buffer

2B 7D0511143

cap / lower / camp- mobile,
for coil spring: / 701 511 105 H,
/ 701 511 105 K, / bus
/ 701 511 105 F / ambulance
/ MULTIVAN

2C 701511137

stop buffer / lower / delivery van
for coil spring: / 701 511 105 A, / kombi van
/ 701 511 105 G,
/ 701 511 105 L,
/ 701 511 105 M

3 7D0511147A

base / upper

(4) 701513031N

gas-filled shock absorber / delivery van
for vehicles with payload of: / 800-1200KG / pick-up
/ low-loader pick-up
for vehicles with payload of: / 1200KG / double cab
wheelbase: / 2920MM / CARAVELLE

(4) 701513031N

gas-filled shock absorber / bus
for vehicles with payload of: / 1000/1200KG / camp- mobile,
/ MULTIVAN

(4) 701513031P

gas-filled shock absorber / kombi van
for vehicles with payload of: / 800/1000KG / KOMBI MIT
wheelbase: / 2920MM / SITZEN,
for vehicles with payload of: / 1000KG
wheelbase: / 3320MM

(4) 701513031P

gas-filled shock absorber
for vehicles with lowered running gear

(4) 701513031P

gas-filled shock absorber / bus
for vehicles with payload of: / 800/1000KG / MULTIVAN,
wheelbase: / 2920MM / ambulance

(4) 701513031C

heavy-duty shock absorber

(4) 701513031C

heavy-duty shock absorber / PR-0J4
for vehicles with payload of: / 2000KG

5 701513121

damping ring

6 251413431

plate for damping ring

7 N 10170801

hexagonal head bolt / M12X1,5X80

8 N 10228901

hexagonal head bolt / M10X1X24

9 701511407C

stabilizer, complete / ambulance

(9) 701511407C

stabilizer, complete / 26MM / PR-0J4
for vehicles with payload of: / 2000KG

10 701511417

pipe clip / ambulance

11 N 0102336

hexagonal head bolt / M8X28 / ambulance

12 N 90408501

riveted cap nut / M8 / ambulance
for models with rear anti-roll bar

13 701511413

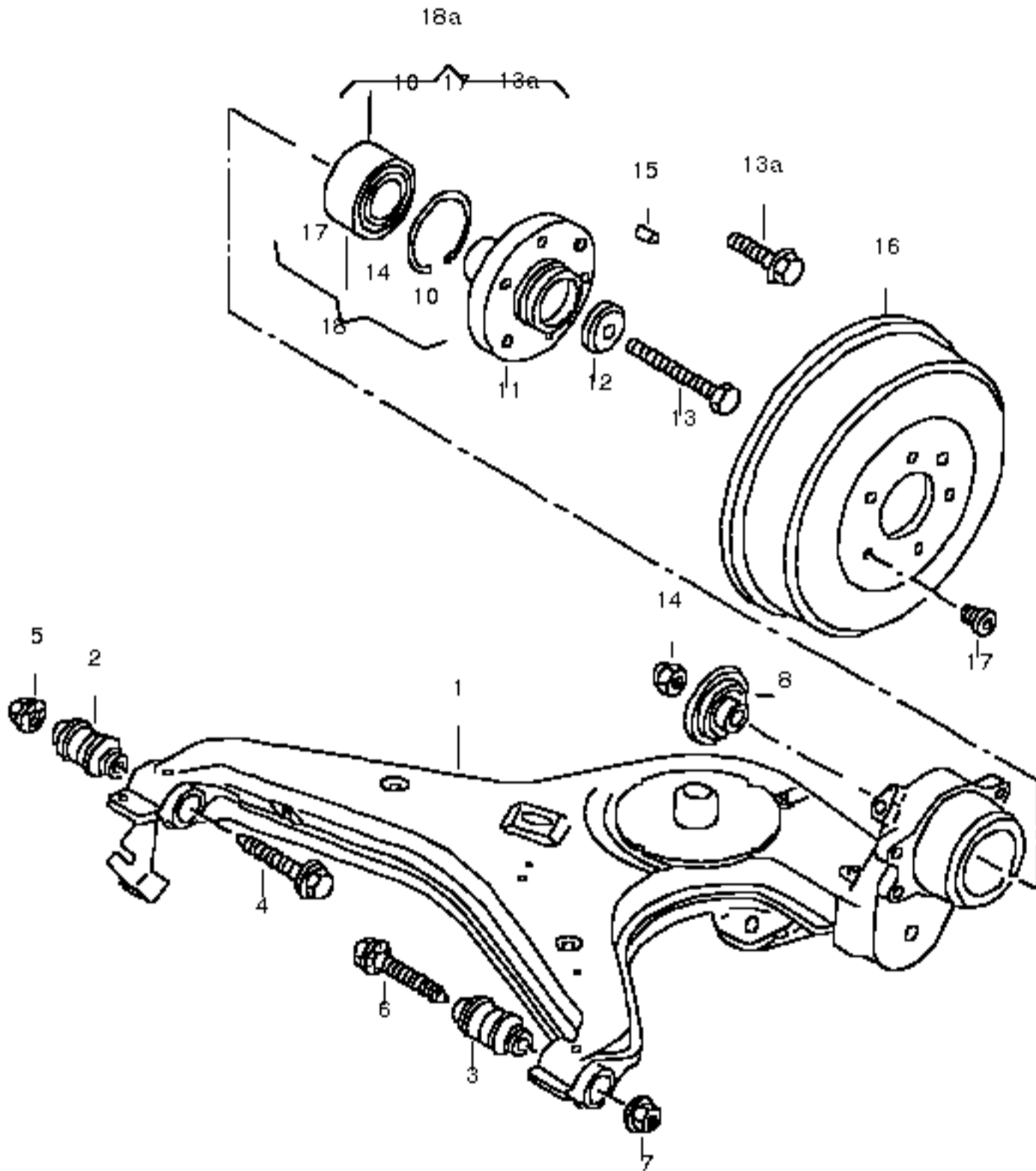
rubber mounting
for models with rear anti-roll bar

- N 0102186

hexagonal head bolt / M6X25

- N 10295201

riveted cap nut / AM6/5-8



trailing arm / rear

(1) 701501403G
trailing arm / left
use if required: / 191 501 159

(1) 701501404G
trailing arm / right
use if required: / 191 501 159

- 191501159
plug
for models without anti-locking system

2 251501131A
rubber mounting / inner

3 701501131
bonded rubber mounting / outer

4 N 90498102
bolt, hex. hd. with pin (combi) / M12X1,5X108-SP

5 N 90535701
hexagon nut, shouldered / M12X1,5

6 N 90490202
bolt, hex. hd. with pin (combi) / M14X1,5X112

7 N 90535801
hexagonal nut / M14X1,5

8 701501281
tensioning washer

(8) 701501280A
lock washer with rotor
for models with anti-lock brake system -abs-
blockiersystem -ABS-

10 N 0123501
securing ring / 80X2,5

(11) 7D0501647A
wheel hub

12 701501283
fitted washer / 45X10X16,5

13 N 10171401
hexagonal head bolt / M16X1,5X120

14 N 10256602
shouldered hex. nut, self-locking / BM16X1,5

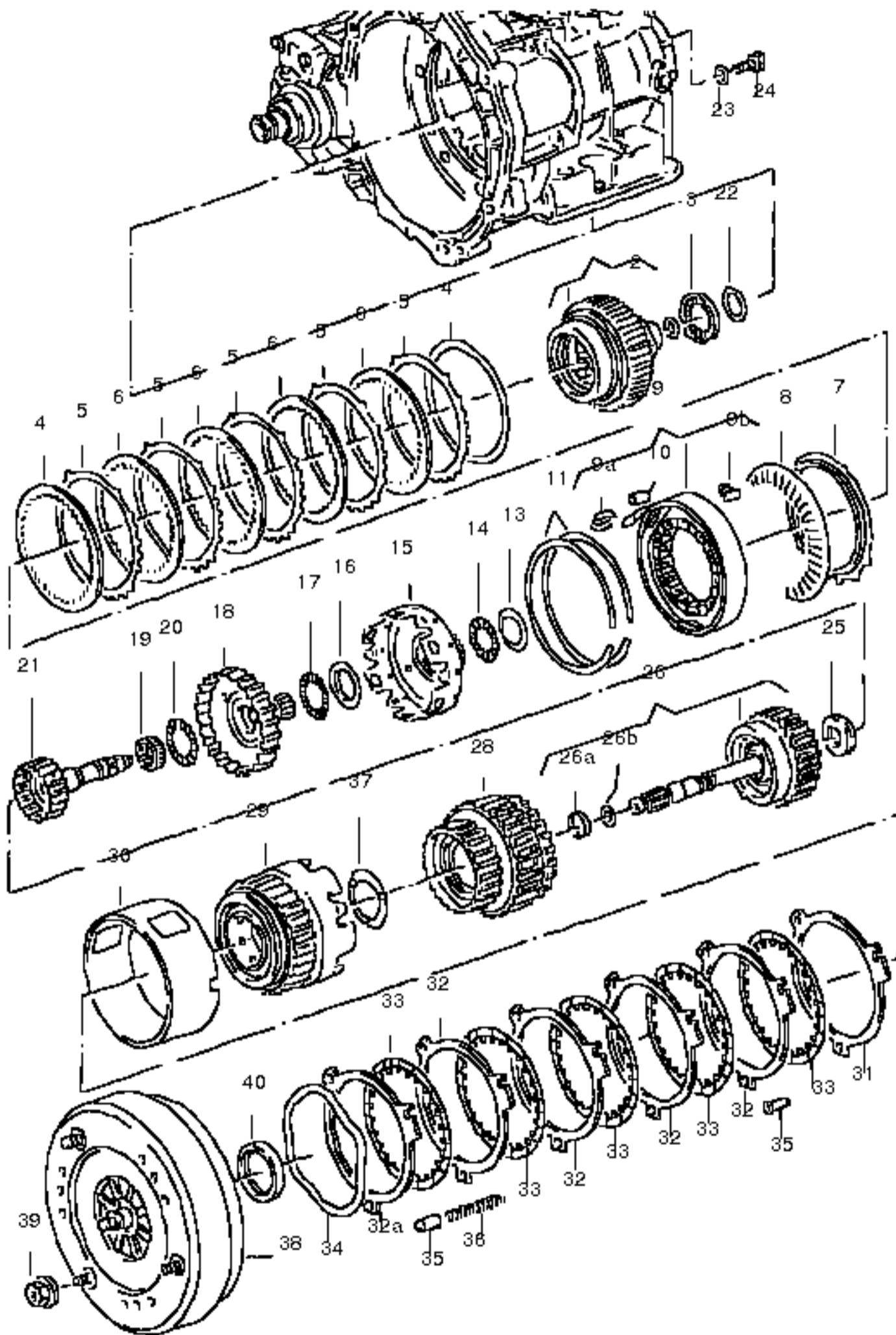
15 N 10216601
spring pin / 13X16

16 701609617
brake drum / 270X6,5MM

17 N 90571201
allen key head bolt / M10X25X15

18 701598625
wheel bearing with mounting parts
for vehicles with payload of: / 800-1200KG

(18) 701598625B
wheel bearing with mounting parts / PR-0J4
for vehicles with payload of: / 2000KG



forward, reverse gear clutch

planet pinion carrier

converter

for 4-speed automatic gearbox

forward, reverse gear clutch / CWC,CWD,CWE,

/ CWF,CWG,CWH,

planet pinion carrier / DLM

converter

for 4-speed automatic gearbox

1 095323301Q

planet pinion carrier

2 095323737

round seal / 19X2,5

3 095323743A

axial bearing

4 095323433

adjusting washer / 1

(4) 095323433A

adjusting washer / 1,1

(4) 095323433B

adjusting washer / 1,2

(4) 095323433C

adjusting washer / 1,3

(4) 095323433D

adjusting washer / 1,4

(4) 095323433E

adjusting washer / 1,5

(4) 095323433F

adjusting washer / 1,6

(4) 095323433G

adjusting washer / 1,7

(4) 095323433H

adjusting washer / 1,8

(4) 095323433J

adjusting washer / 1,9

5 095323227A

external disc / CWC,CWD,CWE,

/ CWF,DLM

(5) 095323227A

external disc / CWG,CWH

6 095323231A

driving disc / CWC,CWD,CWE,

/ CWF,DLM

(6) 095323231A

driving disc / CWG,CWH

7 095323297B

pressure plate / 10,5 / CWG,CWH

(7) 095323297D

pressure plate / 13,5 / CWC,CWD,CWE,

/ CWF,DLM

8 095323295A

concave washer (internal teeth)

9 095323383

1.gear-freewheel

9A 095323479B

piston

9B 095323643

spring

10 N 90351101

cylindrical roller / 8X12

11 095323653

securing ring

13 095323715

thrust washer

14 095323727B

axial roller bearing / 39

15 095323329N

driving shell

16 095323714A

thrust washer

17 095323708

axial roller bearing

18 095323901B

propshaft

19 095323907

needle cage

20 095323909

axial roller bearing

21 095323911F

propshaft

22 095323739

adjusting washer / 1

(22) 095323739H

adjusting washer / 1,1

(22) 095323739J

adjusting washer / 1,2

(22) 095323739K

adjusting washer / 1,3

(22) 095323739L

adjusting washer / 1,4

(22) 095323739B

adjusting washer / 1,5

(22) 095323739M

adjusting washer / 1,6

(22) 095323739N

adjusting washer / 1,7

(22) 095323739P

adjusting washer / 1,8

(22) 095323739Q

adjusting washer / 1,9

23 N 90107604

washer / 8,2X18X2

24 N 01024118

hexagonal head bolt / M8X22

25 095323919B

axial bearing

26 01M323921CX

clutch / 3./4.gear / CWC,CWD,CWE,

/ CWF,DLM

also use: / 01M 323 205 CX

(26) 01M323921DX

clutch / 3./4.gear / CWG,CWH

also use: / 01M 323 205 CX

26A 095323557B

piston ring / 30MM

26B 01M323255

round seal / 30X2,5

28 01M323205DX

clutch / 1st-3rd gear

29 095323106AX

reverse gear clutch

30 097323455B

support tube / 64,9

31 097323463C

external disc / 3

32 097323463

external disc / 2

(32A) 097323463

external disc / 2

(32A) 097323463A

external disc / 2,25

(32A) 097323463B

external disc / 2,5

(32A) 097323463C

external disc / 3

(32A) 097323463D

external disc / 3,25

(32A) 097323463E

external disc / 3,5

(32A) 097323463F

external disc / 3,75

(32A) 097323463G

external disc / 2,75

33 095323465E

driving disc

34 095323471

corrugated spring washer

35 097323515

pot

36 01M323505A

pressure spring / 60MM

37 095323345

adjusting washer / 1

/ light blue

(37) 095323345A

adjusting washer / 1,2

/ light green

(37) 095323345B

adjusting washer / 1,4

/ natural

(37) 095323345C

adjusting washer / 1,6

/ black

(37) 095323345D

adjusting washer / 1,8

/ grey

38 01M323571F

converter

code letter: / QBDC/QBDB / CWC,CWD,CWE, / CWF,DLM

38 099323571EX

converter

code letter: / QBDD/QBDC/QBDB / CWC,CWD,CWE, / CWF,DLM

(38) 099323571G

converter

code letter: / QCDJ / CWG,CWH

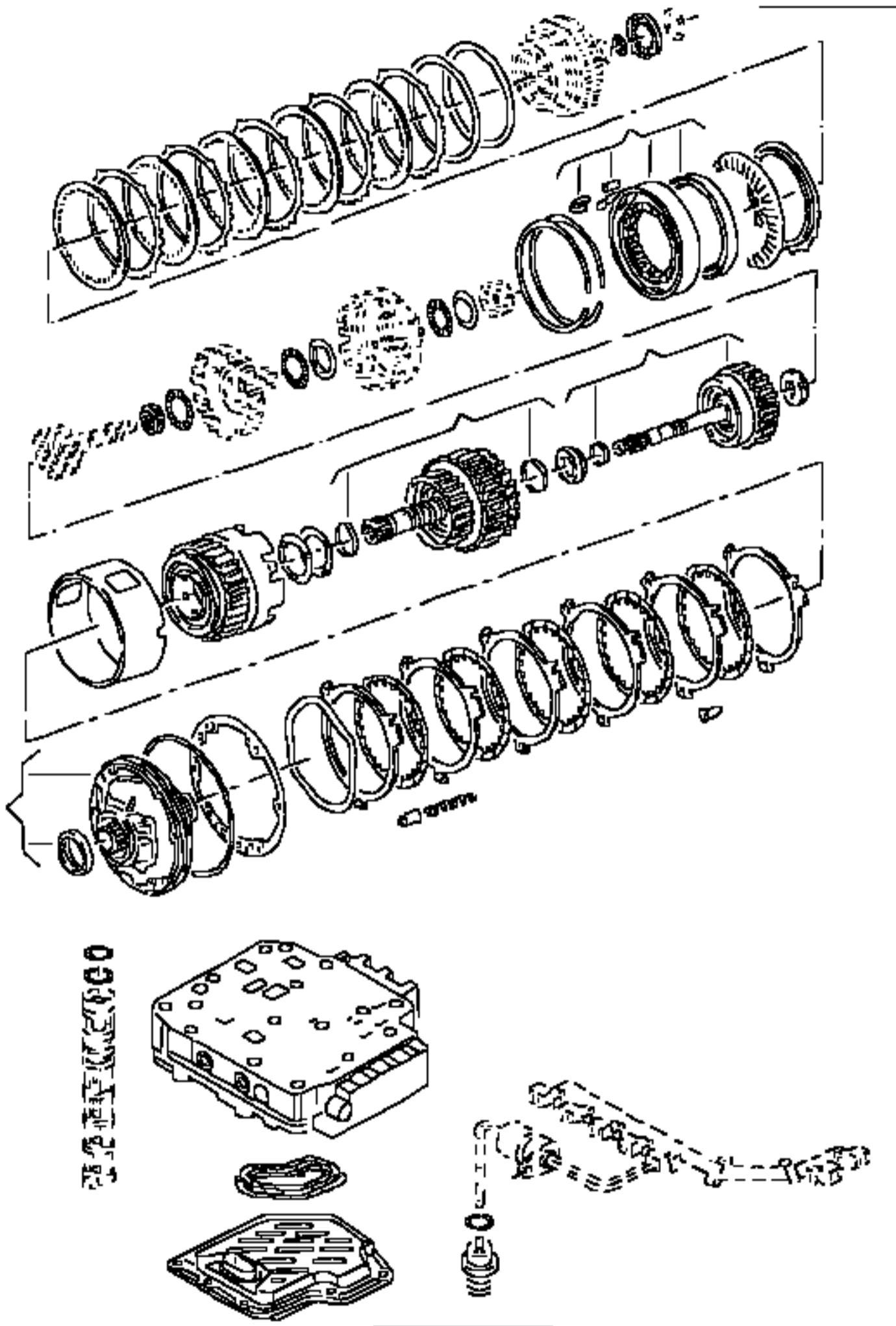
(38) 099323571GX

converter

39 N 10169201

hexagonal nut / M10X1

see illustration: / 321-55



gear change components with valve chest
for 4-speed automatic gearbox
gear change components with valve chest / CWC,CWD,DLM,
/ CWE,CWF,CWG,
for 4-speed automatic gearbox / CWH

(1) 099321025 X

gear change components with valve chest / CWC,CWD,DLM,
/ CWE,CWF
for 4-speed automatic gearbox
also use: / 098 321 370
/ 01P 321 488

(1) 099321025AX

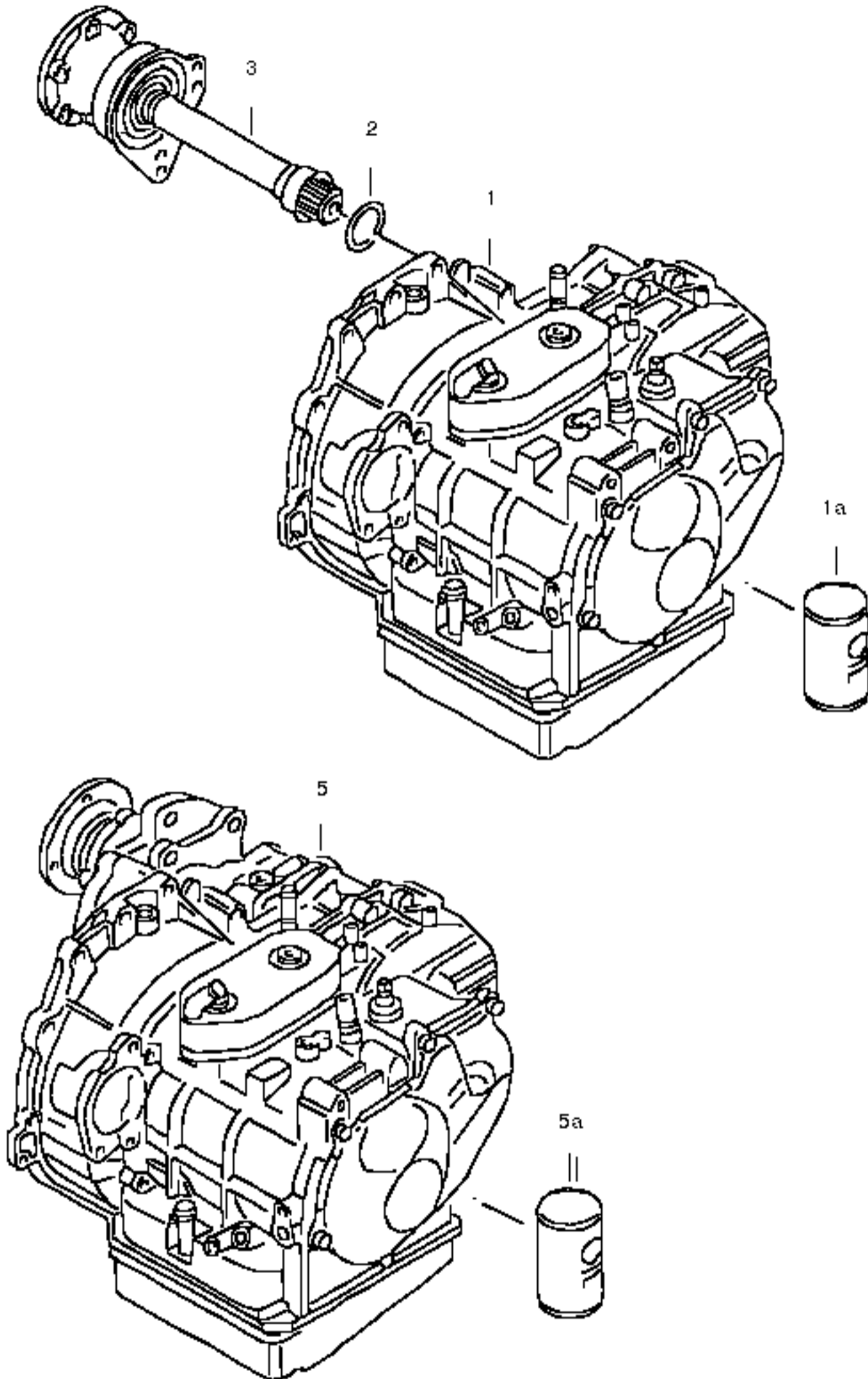
gear change components with valve chest / CWG,CWH
for 4-speed automatic gearbox
also use: / 098 321 370
/ 01P 321 488

- 098321370

gasket

- 01P321488

gasket



gearbox, complete

4 speed automatic gearbox

gearbox, complete / CWC,CWE,CWD,

4 speed automatic gearbox / CWF,CWG,CWH

/ DLM

1 01P300055 X

4-speed automatic gearbox without flange shaft / 72/17 / CWC

/ right

also use: / 068 145 119

(1) 01P300055BX

4-speed automatic gearbox without flange shaft / 72/17 / DLM/CWD

/ right

also use: / 068 145 119

(1) 01P300055CX

4-speed automatic gearbox without flange shaft / 73/16 / CWE

/ right

also use: / 068 145 119

(1) 01P300055DX

4-speed automatic gearbox without flange shaft / 73/16 / CWF

/ right

also use: / 068 145 119

(1) 01P300055EX

4-speed automatic gearbox without flange shaft / 70/19 / CWG

/ right

also use: / 068 145 119

(1) 01P300055FX

4-speed automatic gearbox without flange shaft / 71/18 / CWH

/ right

also use: / 068 145 119

1A G 052162A2

atf (automatic transm. fluid) / 1.0 ltr.

for automatic gearbox

filling quantity: / 5.25 ltr. / CWC,DLM,CWD,

/ CWE,CWF,CWG,

/ CWH

alternatively: / G 052 162 A1

alternatively: / G 052 162 A6

see workshop manual

- G 052162A1

atf (automatic transm. fluid) / 0.5ltr.

for automatic gearbox

- G 052162A6

atf (automatic transm. fluid) / 20ltr.

(1A) G 052145S2

axle oil / 1.0 ltr.

for final drive

filling quantity: / 1.15 ltr. / CWC,DLM,CWD,

/ CWE,CWF,CWG,

/ CWH

alternatively: / G 052 145 A1

see workshop manual

- G 052145A1

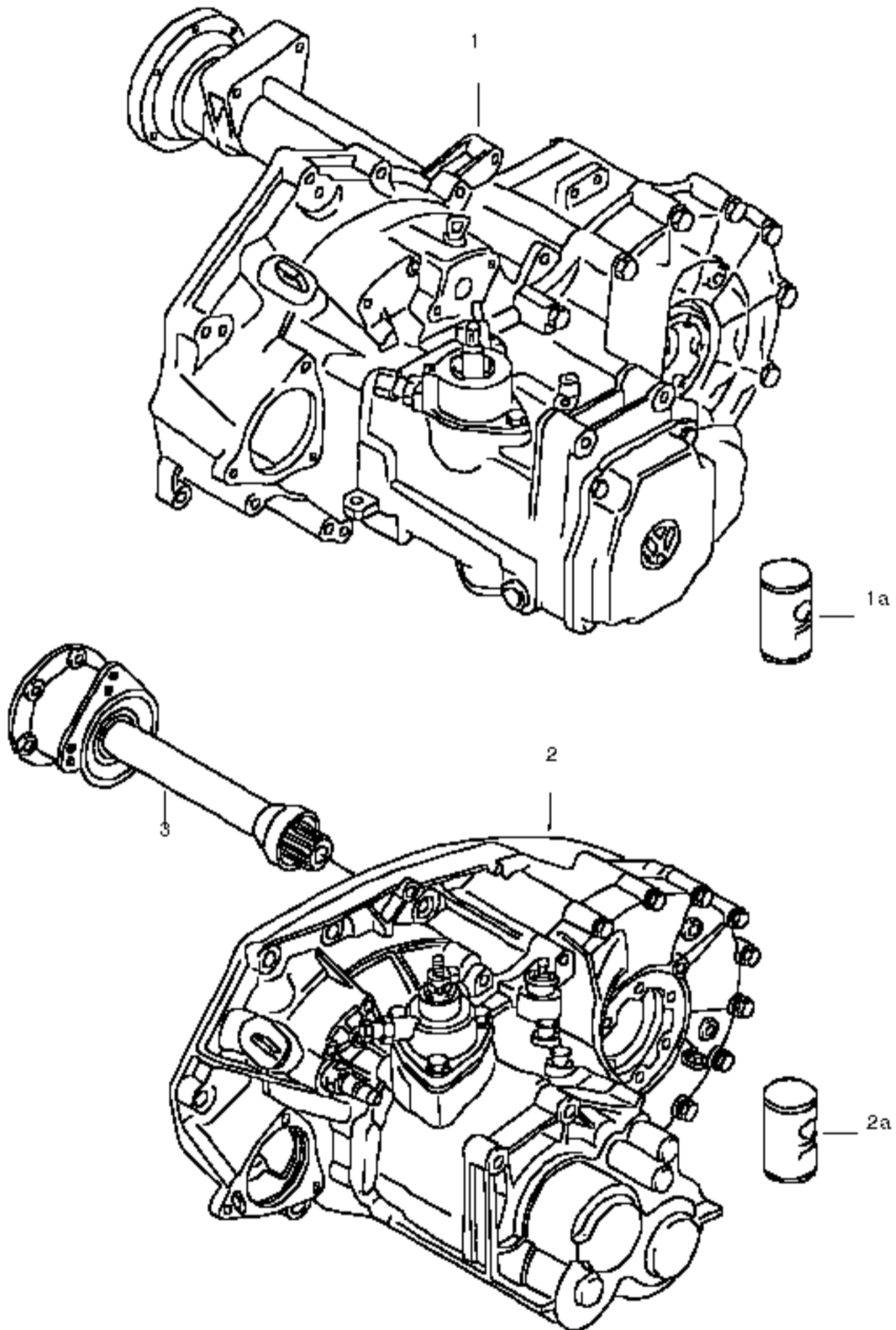
axle oil / 0.5ltr.

2 068145119

round seal / 36X42X3

flange shaft

see illustration: / 409-50



gearbox, complete
5 speed manual gearbox

1 02B300047L
5 speed manual gearbox / 83/18 / DJZ

(1) 02B300045 X
5 speed manual gearbox / 83/18 / DJZ

(1) 02B300047M
5 speed manual gearbox / 83/18 / DKA

(1) 02B300045AX
5 speed manual gearbox / 83/18 / DKA

(1) 02B300047G
5 speed manual gearbox / 73/16 / DCU

(1) 02B300047AX
5 speed manual gearbox / 73/16 / DCU

(1) 02B300047H
5 speed manual gearbox / 84/17 / DCV

(1) 02B300047CX
5 speed manual gearbox / 84/17 / DCV

(1) 02B300047J
5 speed manual gearbox / 73/16 / DCW

(1) 02B300046TX
5 speed manual gearbox / 73/16 / DCW

(1) 02B300047D
5 speed manual gearbox / 84/17 / DCX

(1) 02B300047DX
5 speed manual gearbox / 84/17 / DCX

1A G 052726A2
gear box oil / 1.0 ltr.
for manual gearbox
filling quantity: / 2.5ltr. / DJZ,DKA,DCU,
/ DCV,DCW,DCX
see workshop manual

2 02G300045 X
5-speed manual gearbox without flange shaft / 82/21 / AFK
/ FLANSCH:108
also use: / 02G 409 356 C
/ 02G 409 335 A
/ N 023 644 1
/ 02G 409 319

(2) 02G300045A
5-speed manual gearbox without flange shaft / 82/21 / AFL
/ FLANSCH:108
also use: / 068 145 119
/ 02G 409 356 C
/ 02G 409 335 A
/ N 023 644 1
/ 02G 409 319

(2) 02G300045AX
5-speed manual gearbox without flange shaft / 82/21 / AFL
/ FLANSCH:108
also use: / 068 145 119
/ 02G 409 356 C
/ 02G 409 335 A
/ N 023 644 1
/ 02G 409 319

- 068145119
round seal / 36X42X3

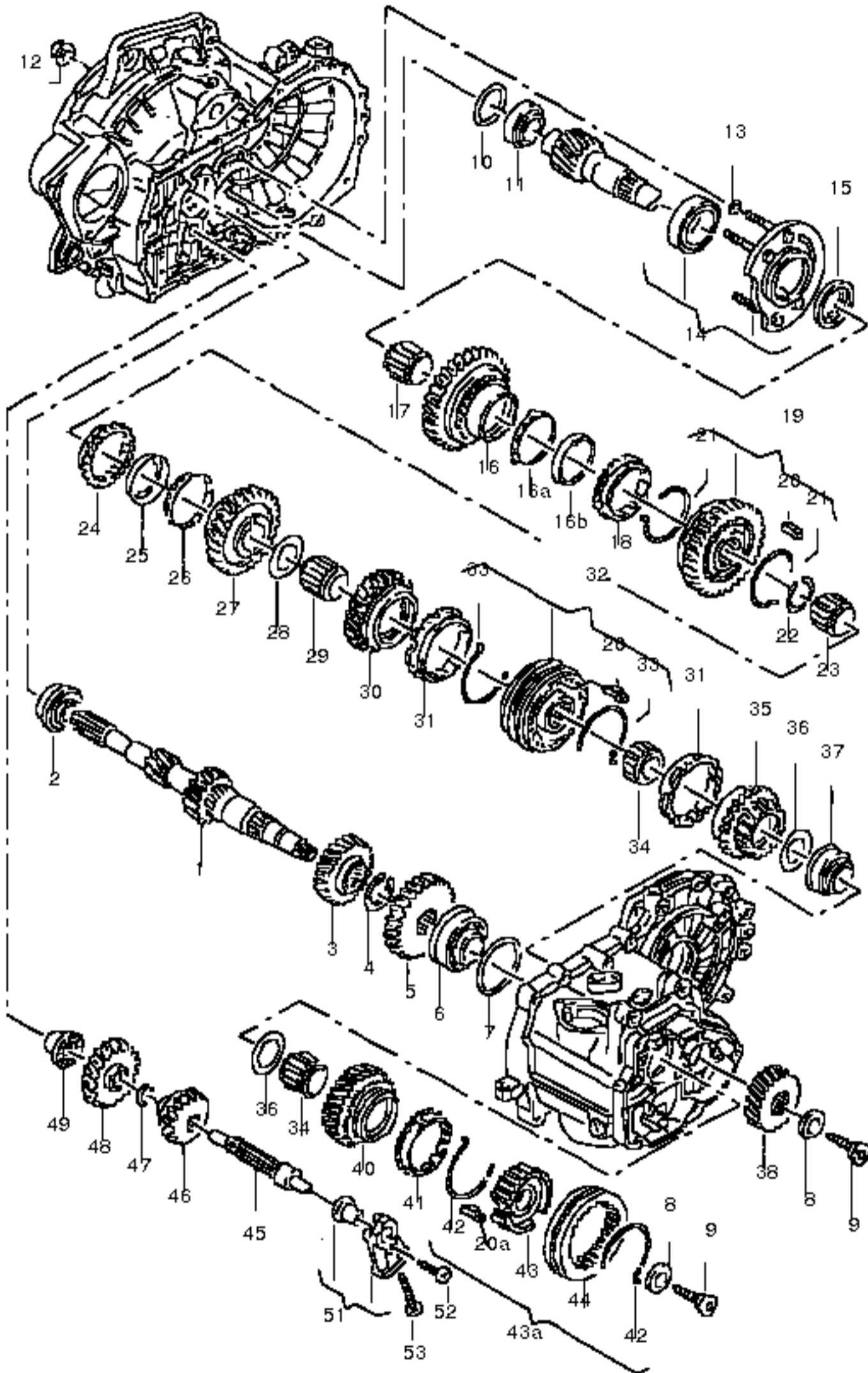
- 02G409356C
flange shaft / 108MM
/ right

- 02G409335A
bearing

- N 0236441
securing ring / A30X1,5

- 02G409319
cover panel

2A G 052726A2
gear box oil / 1.0 ltr.
for manual gearbox
filling quantity: / 2.3ltr. / AFK,AFL
see workshop manual
flange shaft
see illustration: / 409-15



gears and shafts / DCV,DCX,DCU,
for 5 speed manual transmiss. / DCW,DKA,DJZ

1 02A311103D
propshaft / Z=9/17 / DCV,DCX,DKA, / DJZ

(1) 02B311103
propshaft / Z=9+16 / DCU,DCW

2 085311123D
taper roller bearing / 22X45X16,6

3 02A311285K
gear / 3.gear / DCX,DKA
/ Z=35/24

(3) 02A311285AJ
gear / 3.gear / DCV,DJZ
/ Z=34/25

(3) 02A311285AA
gear / 3.gear / DCU
/ Z=32/22

(3) 02A311285T
gear / 3.gear / DCW
/ Z=31/23

4 02A311321
securing ring / 30,8X2,5

5 02A311351C
gear / 4-speed / DCV,DJZ
/ Z=34/35

(5) 02A311351G
gear / 4-speed / DCX,DKA
/ Z=35/34

(5) 02A311351H
gear / 4-speed / DCU
/ Z=30/29

(5) 02A311351J
gear / 4-speed / DCW
/ Z=29/30

6 02A311123D
taper roller bearing / 30X68,5X17,2

7 02A311140
adjusting washer / 62,2X0,65

(7) 02A311140A
adjusting washer / 62,2X0,67

(7) 02A311140B
adjusting washer / 62,2X0,7

(7) 02A311140C
adjusting washer / 62,2X0,72

(7) 02A311140D
adjusting washer / 62,2X0,75

(7) 02A311140E
adjusting washer / 62,2X0,77

(7) 02A311140F
adjusting washer / 62,2X0,8

(7) 02A311140G
adjusting washer / 62,2X0,82

(7) 02A311140H
adjusting washer / 62,2X0,85

(7) 02A311140J
adjusting washer / 62,2X0,87

(7) 02A311140K
adjusting washer / 62,2X0,9

(7) 02A311140L
adjusting washer / 62,2X0,92

(7) 02A311140M
adjusting washer / 62,2X0,95

(7) 02A311140N
adjusting washer / 62,2X0,97

(7) 02A311140P
adjusting washer / 62,2X1

(7) 02A311140Q
adjusting washer / 62,2X1,02

(7) 02A311140R
adjusting washer / 62,2X1,05

(7) 02A311140S
adjusting washer / 62,2X1,07

(7) 02A311140T
adjusting washer / 62,2X1,1

(7) 02A311140AA
adjusting washer / 62,2X1,12

(7) 02A311140AB
adjusting washer / 62,2X1,15

(7) 02A311140AC
adjusting washer / 62,2X1,17

(7) 02A311140AD
adjusting washer / 62,2X1,2

(7) 02A311140AE
adjusting washer / 62,2X1,22

(7) 02A311140AF
adjusting washer / 62,2X1,25

(7) 02A311140AG
adjusting washer / 62,2X1,27

8 02A311324C
concave spring washer / 24X52X2,65

9 02A311335D
torx socket head combi-bolt / M10X1X35,5

10 020311391
adjusting washer / 0,75

(10) 020311391A
adjusting washer / 0,8

(10) 020311391B
adjusting washer / 0,85

(10) 020311391C
adjusting washer / 0,9

(10) 020311391D
adjusting washer / 0,95

(10) 020311391E
adjusting washer / 1

(10) 020311391F
adjusting washer / 1,05

(10) 020311391G
adjusting washer / 1,1

(10) 020311391H
adjusting washer / 1,15

(10) 020311391J
adjusting washer / 1,2

(10) 020311391K
adjusting washer / 1,25

(10) 020311391L
adjusting washer / 1,3

(10) 020311391M
adjusting washer / 1,35

(10) 020311391N
adjusting washer / 1,4

(10) 020311391P
adjusting washer / 0,65

(10) 020311391Q
adjusting washer / 0,7

11 311405625F
taper roller bearing / 29X50,29X14,73

12 N 01508311
hexagon nut, shouldered / M8

13 N 90364901
round seal / 7X2-N

14 02D311206A
support with taper roller bearing

15 02A311221
thrust washer / 1.gear

16 02A311251
change gear / 1.gear
/ Z=34/9

17 02A311213C
needle cage / 38X43X25

18 02A311247C
synchronizer ring / 1.gear

19 02A311239E
synchronizing hub with locking collar / 1./2.gear

20 084311313
locking piece

21 02A311311A
spring / 1./2.gear

22 091311321A
securing ring

23 02A311265D
needle cage / K35X40X23,8

24 02A311269F
synchronizer ring / 2.gear

25 02A311279
outer ring / 2.gear

26 02A311277
synchronizer ring / 2.gear
inner

27 02A311261G
change gear / 2.gear / DCV,DCX,DKA,
/ DJZ

(27) 02A311261L
change gear / 2.gear / DCU,DCW
/ Z=33/16

28 02A311175C
thrust washer / 2nd/3rd gear

29 02J311325
needle bearing - / 30,6X40X25,8

30 02A311129T
change gear / 3.gear / DCX,DKA
/ Z=35/24

(30) 02A311129AA
change gear / 3.gear / DCV,DJZ
/ Z=34/25

(30) 02A311129AH
change gear / 3.gear / DCW
/ Z=31/23

(30) 02A311129AJ
change gear / 3.gear / DCU
/ Z=32/22

31 02A311269E
synchronizer ring / 3./4.GANG

32 02A311301D
synchronizing hub / 3./4.gear

33 088311311D
spring / 3./4.gear

34 02A311115E
needle bearing - / 29X40X24

35 02A311145M
change gear / 4-speed / DCV,DJZ
/ Z=34/35

(35) 02A311145N
change gear / 4-speed / DCX,DKA
/ Z=35/34

(35) 02A311145K
change gear / 4-speed / DCU
/ Z=30/29

(35) 02A311145L
change gear / 4-speed / DCW
/ Z=29/30

36 02A311155A
thrust washer / 9,2X49X2,5

37 02A311375C
roller sleeve / 29X46X18,1

38 02A311361Q
gear / 5-speed / DCV,DJZ
/ Z=34/45

(38) 02A311361L
gear / 5-speed / DCX,DKA
/ Z=36/43

(38) 02A311361N
gear / 5-speed / DCW
/ Z=30/39

(38) 02A311361P
gear / 5-speed / DCU
/ Z=31/37

40 02A311158E
change gear / 5-speed / DCV,DJZ
/ Z=34/45

(40) 02A311158H
change gear / 5-speed / DCX,DKA
/ Z=36/43

(40) 02A311158S
change gear / 5-speed / DCU
/ Z=31/37

(40) 02A311158L
change gear / 5-speed / DCW
/ Z=30/39

41 02A311295C
synchronizer ring / 5-speed

42 02A311311C
spring / 5-speed

43A 02J311241C
synchronizing hub with locking collar / 5-speed

20A 02A311313A
locking piece / 5-speed

45 02A311515K
reverse gear shaft

(46) 02A311531K
sliding wheel for reverse gear / Z=20

47 N 90982401
snap ring / A20X2

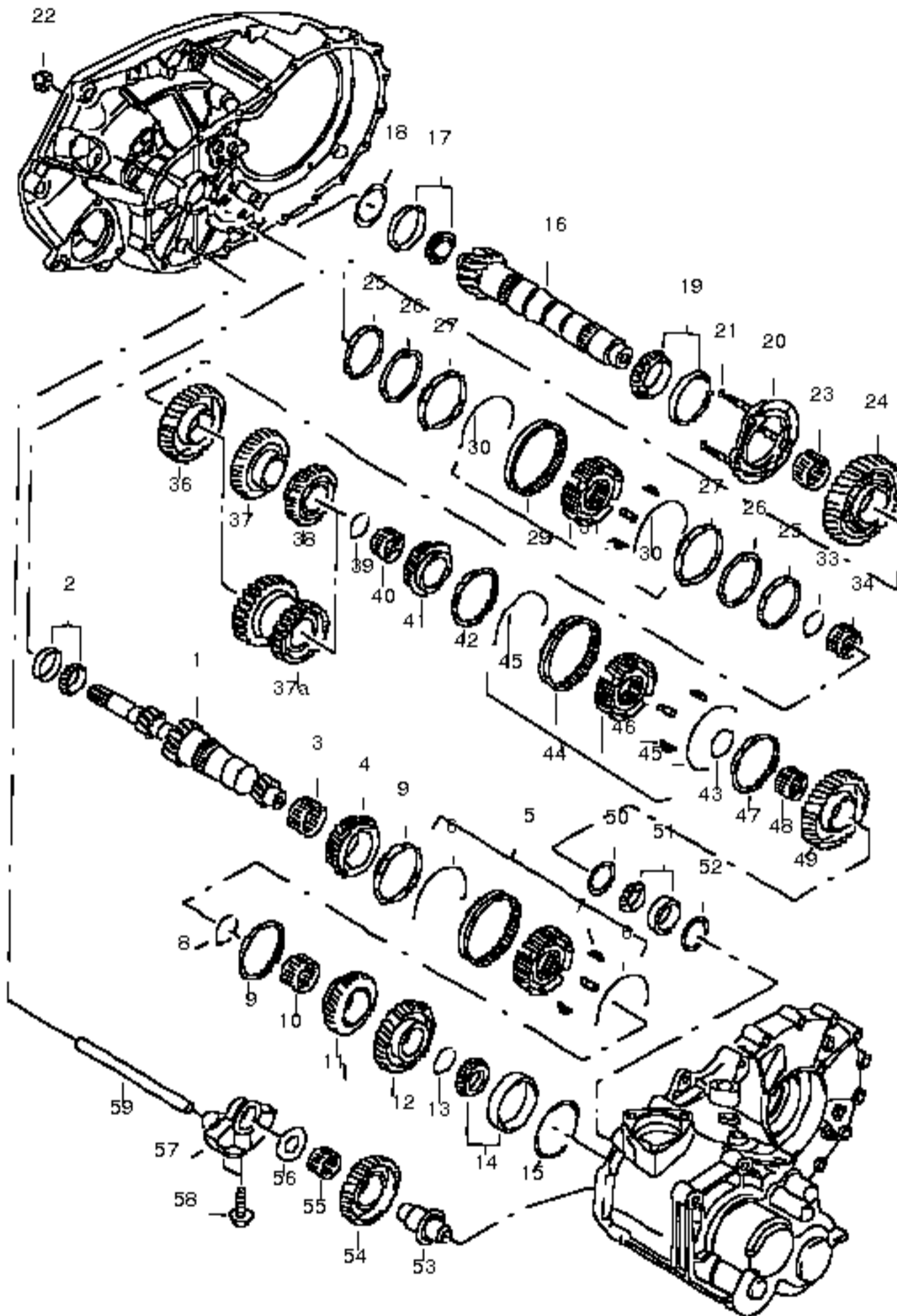
48 02A311507D
intermediate wheel / Z=18
/ return

49 02A311523B
needle sleeve / 15X21X18

51 02A311514A
support
reverse gear shaft

52 N 90536201
bolt, torx socket head / M8X26

53 N 90462502
torx socket fillister hd. bolt / M8X32-E-PC



gears and shafts / AFK,AFL
for 5 speed manual transmiss.

1 02G311103A
propshaft

2 02F311124B
taper roller bearing / 25X47X15

3 02F311213
needle cage / 45X51X26,6

4 02G311129
change gear / 3.gear
/ Z=35/36

5 02F311301A
synchronizing hub / 3./4.gear

6 02F311311
spring

7 084311313
locking piece

8 008311231
securing ring

9 02F311269C
synchronizer ring / 3./4.gear

10 02F311265
needle cage / 42X48X26,8

11 02G311145
change gear / 4-speed
/ Z=35/36

12 02G311361A
gear / 5-speed
/ Z=45/48

13 02F311187
securing ring

14 02F311123A
taper roller bearing / 25X62X16

15 02F311391
adjusting washer / 52X62X0,65

(15) 02F311391A
adjusting washer / 52X62X0,675

(15) 02F311391B
adjusting washer / 52X62X0,7

(15) 02F311391C
adjusting washer / 52X62X0,725

(15) 02F311391D
adjusting washer / 52X62X0,75

(15) 02F311391E
adjusting washer / 52X62X0,775

(15) 02F311391F
adjusting washer / 52X62X0,8

(15) 02F311391G
adjusting washer / 52X62X0,825

(15) 02F311391H
adjusting washer / 52X62X0,85

(15) 02F311391J
adjusting washer / 52X62X0,875

(15) 02F311391K
adjusting washer / 52X62X0,9

(15) 02F311391L
adjusting washer / 52X62X0,925

(15) 02F311391M
adjusting washer / 52X62X0,95

(15) 02F311391N
adjusting washer / 52X62X0,975

(15) 02F311391P
adjusting washer / 52X62X1

(15) 02F311391Q
adjusting washer / 52X62X1,025

(15) 02F311391R
adjusting washer / 52X62X1,05

(15) 02F311391S
adjusting washer / 52X62X1,075

(15) 02F311391T
adjusting washer / 52X62X1,1

(15) 02F311391AA
adjusting washer / 52X62X1,125

(15) 02F311391AB
adjusting washer / 52X62X1,15

(15) 02F311391AC
adjusting washer / 52X62X1,175

(15) 02F311391AD
adjusting washer / 52X62X1,2

(15) 02F311391AE
adjusting washer / 52X62X1,225

(15) 02F311391AF
adjusting washer / 52X62X1,25

(15) 02F311391AG
adjusting washer / 52X62X1,275
see illustration: / 409-15

17 02G311214B
taper roller bearing / 35X59,1X15,8

18 02A409210
adjusting washer / 0,65

(18) 02A409210A
adjusting washer / 0,7

(18) 02A409210B
adjusting washer / 0,75

(18) 02A409210C
adjusting washer / 0,8

(18) 02A409210D
adjusting washer / 0,85

(18) 02A409210E
adjusting washer / 0,9

(18) 02A409210F
adjusting washer / 0,95

(18) 02A409210G
adjusting washer / 1

(18) 02A409210J
adjusting washer / 1,1

(18) 02A409210K
adjusting washer / 1,15

(18) 02A409210L
adjusting washer / 1,2

(18) 02A409210M
adjusting washer / 1,25

19 02F311220
taper roller bearing / 45X80X16

20 02F311207
mounting

21 N 90364901
round seal / 7X2-N

22 N 01508311
hexagon nut, shouldered / M8

23 02F311213
needle cage / 45X51X26,6

24 02G311251D
change gear / 1.gear
/ Z=43/11

25 02F311277
synchronizer ring / 1./2.gear
inner

26 02F311279
outer ring / 1./2.gear

27 02F311247A
synchronizer ring / 1./2.gear

29 02F311239D
synchronizing hub with locking collar / 1./2.gear

30 02F311249
spring

31 084311313
locking piece

33 008311231
securing ring

34 02F311265
needle cage / 42X48X26,8

36 02G311261D
change gear / 2.gear
/ Z=36/17

37 02G311285
gear / 3.gear
/ Z=35/26

38 02G311351
gear / 4-speed
/ Z=35/36

39 02F311187
securing ring

40 02F311115
needle bearing - / 38X44X26,8

41 02G311158B
change gear / 5.GANG
/ Z=35/48

42 02F311295C
synchronizer ring / 5-speed

43 091311321A
securing ring

44 02F311303G
synchronizing hub / 5.and reverse gear
operating bush
also use: / 02F 311 295 M
/ 02F 311 217 D

- 02F311295M
synchronizer ring / reverse gear

45 02F311336
spring / 5.and reverse gear

46 084311313
locking piece

47 -----
no longer available / reverse gear

48 02F311432
needle cage / 35X41X25,8

49 02F311217D
sliding wheel for reverse gear / Z=37
also use: / 02F 311 303 G / EEZ,EFA
/ 02F 311 295 M / AFK,AFL

(49) 02F311217D
sliding wheel for reverse gear / Z=37
also use: / 02F 311 303 H / EEZ,EFA
/ 02F 311 295 K / EEZ,EFA
/ 02F 311 295 N / EEZ,EFA

- 02F311303H
synchronizing hub / 5.and reverse gear / DQR,EEZ
operating bush

- 02F311295K
synchronizer ring / 5-speed

- 02F311295N
synchronizer ring / reverse gear

50 02A311175C
thrust washer / 30,8X52X3,5

(-) N 90832501
round seal / 24X2,5

51 311405625F
taper roller bearing / 29X50,2X14,7

52 020311391
adjusting washer / 0,75

(52) 020311391A
adjusting washer / 0,8

(52) 020311391C
adjusting washer / 0,9

(52) 020311391D
adjusting washer / 0,95

(52) 020311391E
adjusting washer / 1

(52) 020311391F
adjusting washer / 1,05

(52) 020311391G
adjusting washer / 1,1

(52) 020311391H
adjusting washer / 1,15

(52) 020311391J
adjusting washer / 1,2

(52) 020311391K
adjusting washer / 1,25

(52) 020311391L
adjusting washer / 1,3

(52) 020311391L
adjusting washer / 1,3

(52) 020311391M
adjusting washer / 1,35

(52) 020311391N
adjusting washer / 1,4

(52) 020311391P
adjusting washer / 0,65

(52) 020311391Q
adjusting washer / 0,7

53 02F311515
reverse gear idler spindle

54 02F311531
reverse gear / Z=23

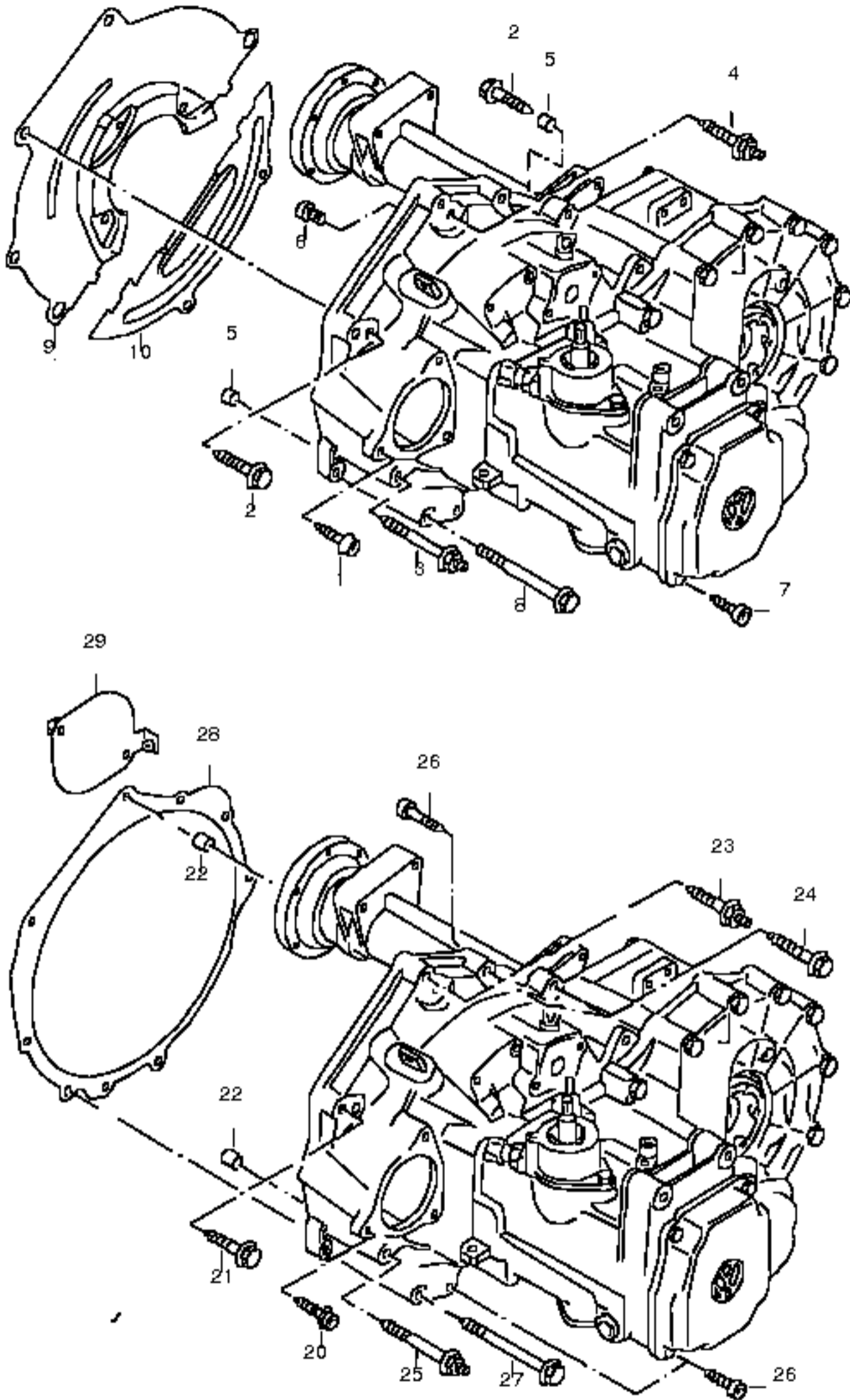
55 007301809
needle cage / 33X28X23,8

56 02F311673
fitted washer / 20X40X0,81

57 02F311516
bearing bracket / reverse gear

58 N 10240001
hexagon head bolt c/w shoulder / M8X32-W

59 02F311528
spacer tube / 10X170



mounting parts for engine and transmission / 4 cylinder / DCV,DCX,DKA,
/ engine / DJZ
5 speed manual gearbox
see illustration: / 911-10

2 N 10217102
hexagon head bolt c/w shoulder / BM12X60X48

3 N 90571701
double stud with hexagon drive / AM12X100/M8X10

(4) N 90571601
double stud with hexagon drive / AM12X60/M8X10

5 014301153
dowel sleeve / 16X12,8

6 N 0147067
allen key head bolt / M8X12

7 N 0147135
allen key head bolt / M8X35

8 N 10217001
hexagon head bolt c/w shoulder / BM12X130X49
see illustration: / 103-10
see illustration: / 103-10

mounting parts for engine and transmission / 5-cylinder / DCU,DCW,DKA,
/ engine / DJZ
5 speed manual gearbox
see illustration: / 911-10/40

21 N 10217102
hexagon head bolt c/w shoulder / BM12X60X48

22 014301153
dowel sleeve / 16X12,8

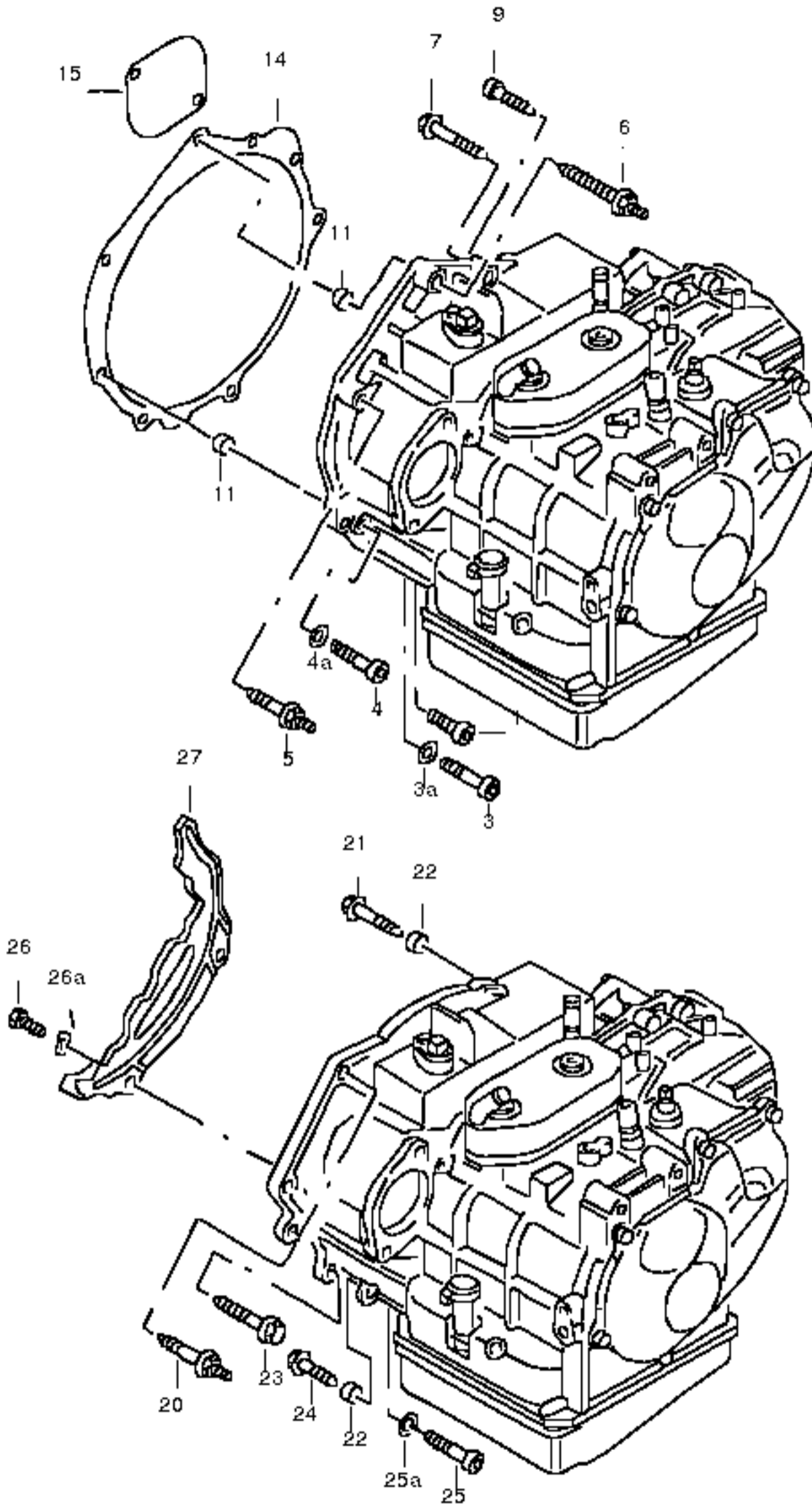
(23) N 90571601
double stud with hexagon drive / AM12X60/M8X10

(24) N 10217102
hexagon head bolt c/w shoulder / BM12X60X48

25 N 90571701
double stud with hexagon drive / AM12X100/M8X10

26 N 90424201
allen key head bolt / M8X45

27 N 10217001
hexagon head bolt c/w shoulder / BM12X130X49
see illustration: / 103-30
see illustration: / 103-30



mounting parts for engine and transmission
for 4-speed automatic gearbox
mounting parts for engine and transmission / CWC,CWE,CWD,
/ CWF,DLM
for 4-speed automatic gearbox

1 N 90424201
allen key head bolt / M8X45

3 N 10226901
allen key head bolt / M12X55

3A N 0115641
washer / 13X20X2

4 N 10226901
allen key head bolt / M12X55

4A N 0115641
washer / 13X20X2

5 N 90571601
double stud with hexagon drive / AM12X60/M8X10

6 N 90571601
double stud with hexagon drive / AM12X60/M8X10

7 N 10217102
hexagon head bolt c/w shoulder / BM12X60X48

9 N 90424201
allen key head bolt / M8X45

11 014301153
dowel sleeve / 16X12,8
cover panel
see illustration: / 103-30
cover panel
see illustration: / 103-30

mounting parts for engine and transmission / CWG,CWH
for 4-speed automatic gearbox

20 N 90571601
double stud with hexagon drive / AM12X60/M8X10

21 N 10217102
hexagon head bolt c/w shoulder / BM12X60X48

22 014301153
dowel sleeve / 16X12,8

23 N 10217102
hexagon head bolt c/w shoulder / BM12X60X48

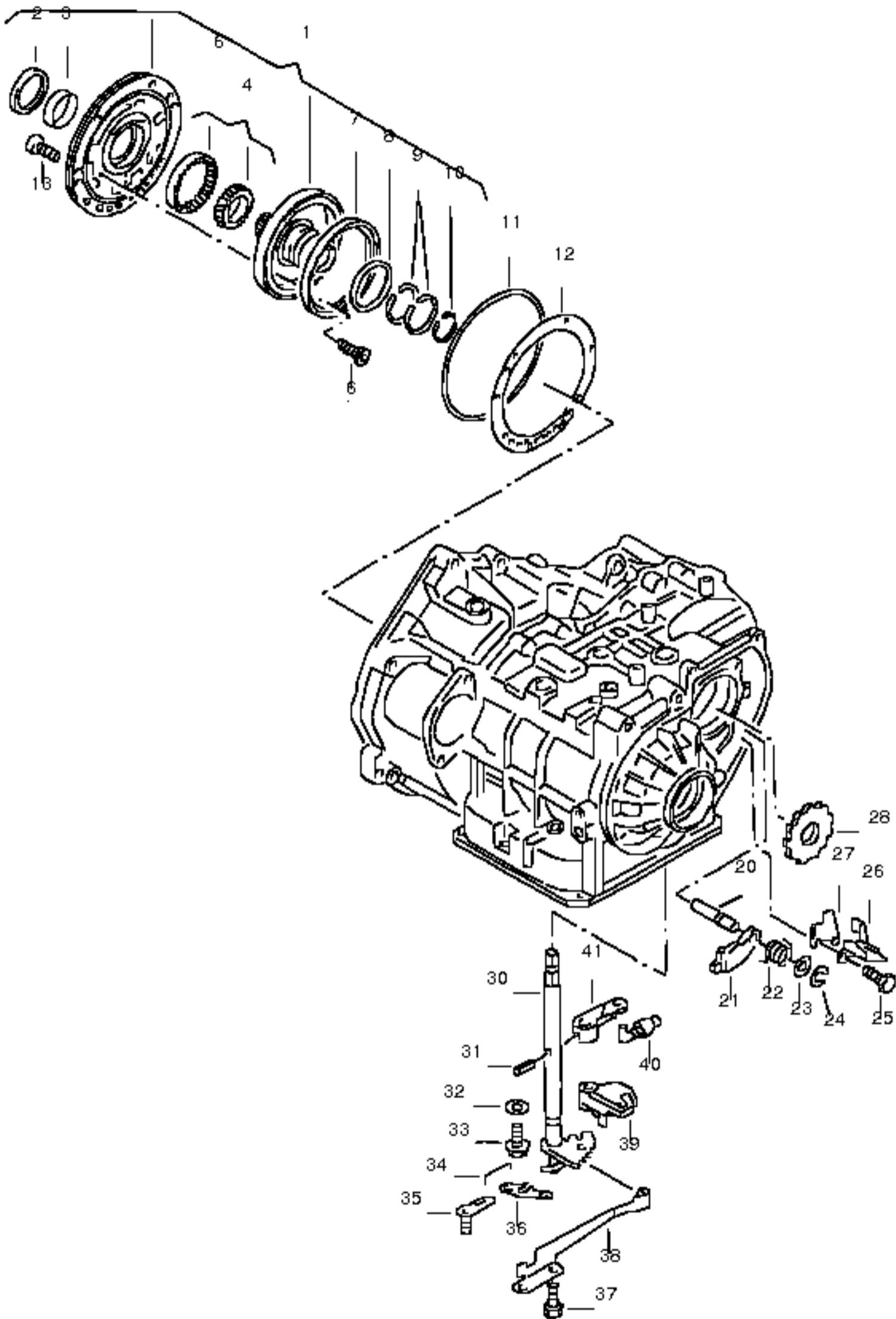
24 N 10217102
hexagon head bolt c/w shoulder / BM12X60X48

25 N 10226901
allen key head bolt / M12X55

25A N 0115641
washer / 13X20X2

26 N 0102276
bolt, hexagon head self-locking / M7X12

27 096409157B
cover plate



oil pump
shift rod
for 4-speed automatic gearbox
oil pump / CWC,CWD,CWE,
shift rod / CWF,CWG,CWH,
for 4-speed automatic gearbox / DLM

1 01M321241B

oil pump

2 095321243A

radial shaft seal / 51X65X7
no replacement part

4 01M321263

gear set

6 N 10119301

socket head csk. torx screw / GM6X14

7 095321531C

piston

8 095321285

thrust washer

9 095321261A

piston ring

10 095321262

piston ring

11 095321386

round seal / 188X3

12 01M321385

gasket

13 N 90582902

bolt, with multi-spilne socket head / EM6X27

20 095321123B

pin - engagement lever

21 098321119

lever for parking lock

22 098321121A

tension spring

23 095323313

thrust washer

24 N 0124412

lock washer / 10

25 N 90533002

hexagon head bolt (combi) / M6X20

26 095321482A

guide plate

27 095321485B

support plate
wheel-parking lock
see illustration: / 323-70

30 098321173A

shift rod

31 N 90548701

spring sleeve / 5,15X24

32 N 0115501

washer / B6,5X21X2

33 N 10029201

fillister head bolt with allen key head / M6X15

34 095325279C

operating rod

35 095325299

retaining clip screw

36 095321194A

lever

37 N 90480001

fitted bolt / M6X15X11,5

38 096321221A

detent spring

39 098321190

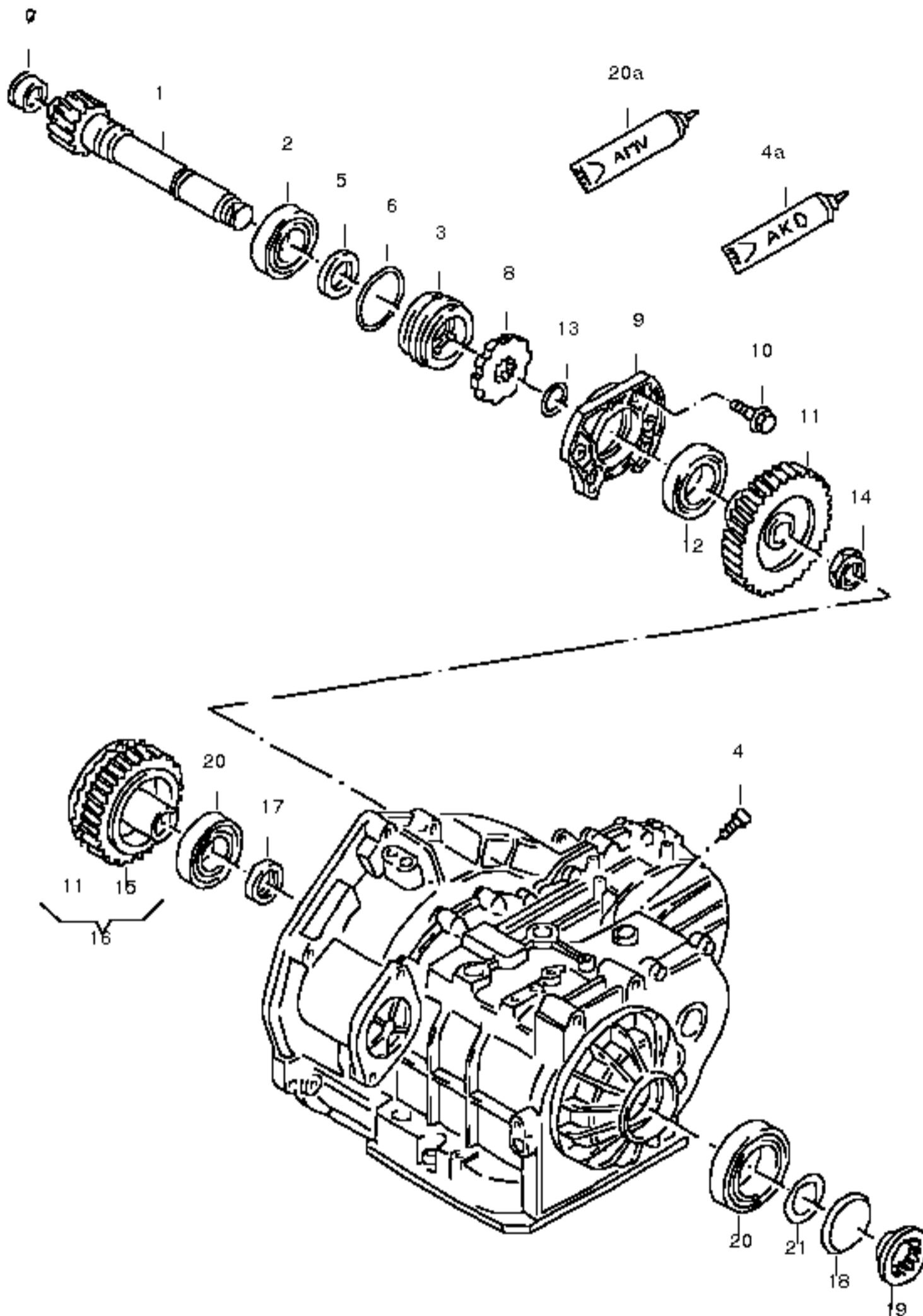
shift segment

40 098321467

thrust piece

41 095321189A

engaging lever



output shaft
drive gear
for 4-speed automatic gearbox
output shaft / CWC,CWD,CWE,
drive gear / CWF,CWG,CWH,
for 4-speed automatic gearbox / DLM

1 098323857N
output shaft / 73/16 / CWE,CWF

(1) 098323857R
output shaft / 72/17 / CWC,CWD,DLM

(1) 098323857L
output shaft / 71/18 / CWH

(1) 098323857K
output shaft / 70/19 / CWG

2 098323981
taper roller bearing / 36X72X24,25

3 098323861A
support ring

4 N 90369402
cheese head bolt / M6X20ASP

4A AKD45600002
sealant / 14G

5 098323862A
oil seal / 35,7X58X7

6 098323863A
round seal / 64X3

7 098323864
needle bearing - / 18X34X14

8 096323867A
wheel-parking lock / Z=36

9 098323873D
bearing cover

10 N 90495901
hexagon head bolt c/w shoulder / M8X25

11 098323887
output gear / Z=51

12 003519185
taper roller bearing

13 01M323875D
adjusting washer / 1

(13) 01M323875E
adjusting washer / 1,025

(13) 01M323875F
adjusting washer / 1,05

(13) 01M323875G
adjusting washer / 1,075

(13) 01M323875H
adjusting washer / 1,1

(13) 01M323875J
adjusting washer / 1,125

(13) 01M323875K
adjusting washer / 1,15

(13) 01M323875L
adjusting washer / 1,175

(13) 01M323875M
adjusting washer / 1,2

(13) 01M323875N
adjusting washer / 1,225

(13) 01M323875P
adjusting washer / 1,25

(13) 01M323875Q
adjusting washer / 1,275

(13) 01M323875R
adjusting washer / 1,3

(13) 01M323875S
adjusting washer / 1,325

(13) 01M323875T
adjusting washer / 1,35

(13) 01M323875AA
adjusting washer / 1,375

(13) 01M323875AB
adjusting washer / 1,4

(13) 01M323875AC
adjusting washer / 1,425

(13) 01M323875AD
adjusting washer / 1,45

(13) 01M323875AE
adjusting washer / 1,475

(13) 01M323875AF
adjusting washer / 1,5

(13) 01M323875AG
adjusting washer / 1,525

(13) 01M323875AH
adjusting washer / 1,55

(13) 01M323875AJ
adjusting washer / 1,575

(13) 01M323875AK
adjusting washer / 1,6

(13) 01M323875AL
adjusting washer / 1,625

(13) 01M323875AM
adjusting washer / 1,65

(13) 01M323875AN
adjusting washer / 1,675

(13) 01M323875AP
adjusting washer / 1,7

(13) 01M323875AQ
adjusting washer / 1,725

(13) 01M323875AR
adjusting washer / 1,75

(13) 01M323875AS
adjusting washer / 1,775

(13) 01M323875AT
adjusting washer / 1,8

(13) 01M323875BA
adjusting washer / 1,825

(13) 01M323875BB
adjusting washer / 1,85

(13) 01M323875BC
adjusting washer / 1,875

(13) 01M323875BD
adjusting washer / 1,9

(13) 01M323875BE
adjusting washer / 1,925

(13) 01M323875BF
adjusting washer / 1,95

(13) 01M323875BG
adjusting washer / 1,975

(13) 01M323875BH
adjusting washer / 2

(13) 01M323875BJ
adjusting washer / 2,025

(13) 01M323875BK
adjusting washer / 2,05

(13) 01M323875BL
adjusting washer / 2,075

(13) 01M323875BM
adjusting washer / 2,1

(13) 01M323875BN
adjusting washer / 2,125

(13) 01M323875BP
adjusting washer / 2,15

(13) 01M323875BQ
adjusting washer / 2,175

(13) 01M323875BR
adjusting washer / 2,2

(13) 01M323875BS
adjusting washer / 2,225

(13) 01M323875BT
adjusting washer / 2,25

(13) 01M323875CA
adjusting washer / 2,275

(13) 01M323875CB
adjusting washer / 2,3

(13) 01M323875CC
adjusting washer / 2,325

(13) 01M323875CD
adjusting washer / 2,35

(13) 01M323875CE
adjusting washer / 2,375

(13) 01M323875CF
adjusting washer / 2,4

(13) 01M323875CG
adjusting washer / 2,425

(13) 01M323875CH
adjusting washer / 2,45

(13) 01M323875CJ
adjusting washer / 2,475

(13) 01M323875CK
adjusting washer / 2,5

(13) 01M323875CL
adjusting washer / 2,525

(13) 01M323875CM
adjusting washer / 2,55

(13) 01M323875CN
adjusting washer / 2,575

(13) 01M323875CP
adjusting washer / 2,6

(13) 01M323875CQ
adjusting washer / 2,625

(13) 01M323875CR
adjusting washer / 2,65

(13) 01M323875CS
adjusting washer / 2,675

(13) 01M323875CT
adjusting washer / 2,7

14 097409379
hexagonal nut / M27X1.5

15 -----
discontinued / replacement: / 01N 323 880

- 01N323880
gear set for intermed. drive / Z=51/44

16 01P323880B
gear set for intermed. drive / Z=51/44

17 095323710
axial bearing

18 095323898
concave spring washer

19 095323899
bolt / M36X1,5

20 113517185C
taper roller bearing / 41X68X17,6

20A AMV185101A1
liquid sealant / 10ML

21 096323839AE
adjusting washer / 1,6

(21) 096323839AF
adjusting washer / 1,625

(21) 096323839AG
adjusting washer / 1,65

(21) 096323839AH
adjusting washer / 1,675

(21) 096323839AJ
adjusting washer / 1,7

(21) 096323839AK
adjusting washer / 1,725

(21) 096323839AL
adjusting washer / 1,75

(21) 096323839AM
adjusting washer / 1,775

(21) 096323839AN
adjusting washer / 1,8

(21) 096323839AP
adjusting washer / 1,825

(21) 096323839AQ
adjusting washer / 1,85

(21) 096323839AR
adjusting washer / 1,875

(21) 096323839AS
adjusting washer / 1,9

(21) 096323839AT
adjusting washer / 1,925

(21) 096323839BA
adjusting washer / 1,95

(21) 096323839BB
adjusting washer / 1,975

(21) 096323839BC
adjusting washer / 2

(21) 096323839BD
adjusting washer / 2,025

(21) 096323839BE
adjusting washer / 2,05

(21) 096323839BF
adjusting washer / 2,075

(21) 096323839BG
adjusting washer / 2,1

(21) 096323839BH
adjusting washer / 2,125

(21) 096323839BJ
adjusting washer / 2,15

(21) 096323839BK
adjusting washer / 2,175

(21) 096323839BL
adjusting washer / 2,2

(21) 096323839BM
adjusting washer / 2,225

(21) 096323839BN
adjusting washer / 2,25

(21) 096323839BP
adjusting washer / 2,275

(21) 096323839BQ
adjusting washer / 2,3

(21) 096323839BR
adjusting washer / 2,325

(21) 096323839BS
adjusting washer / 2,35

(21) 096323839BT
adjusting washer / 2,375

(21) 096323839CA
adjusting washer / 2,4

(21) 096323839CB
adjusting washer / 2,425

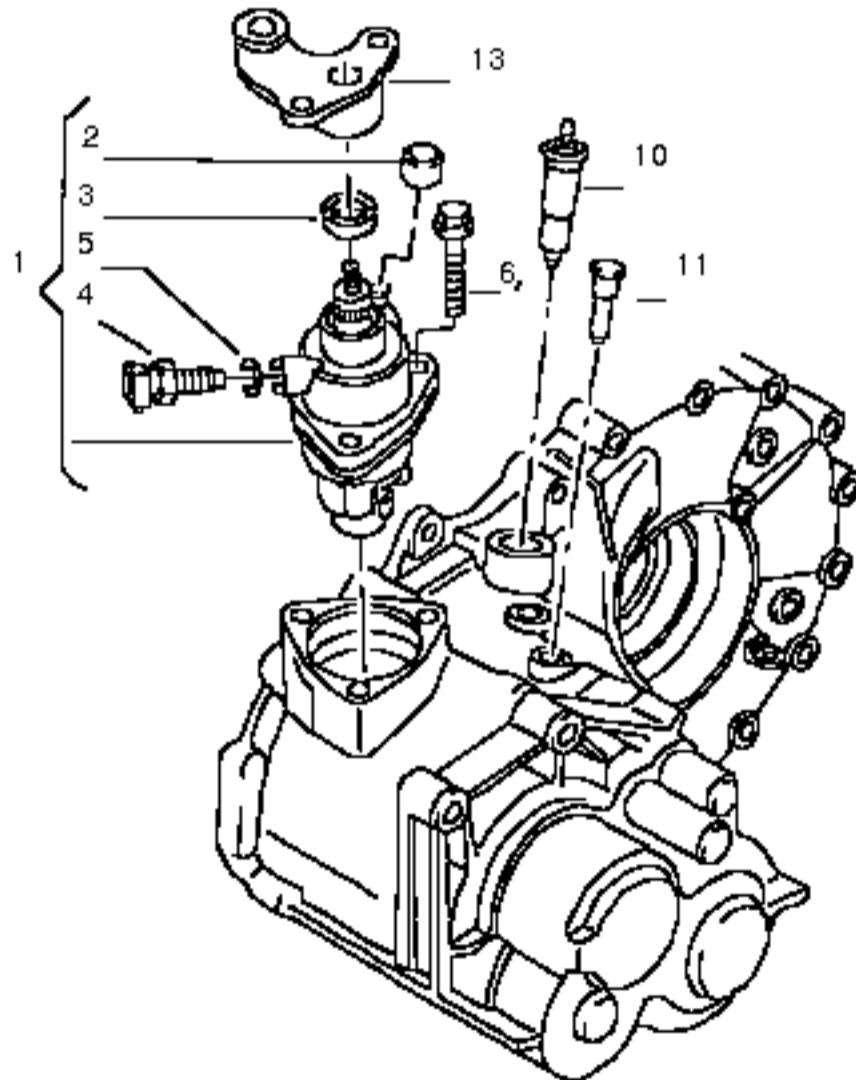
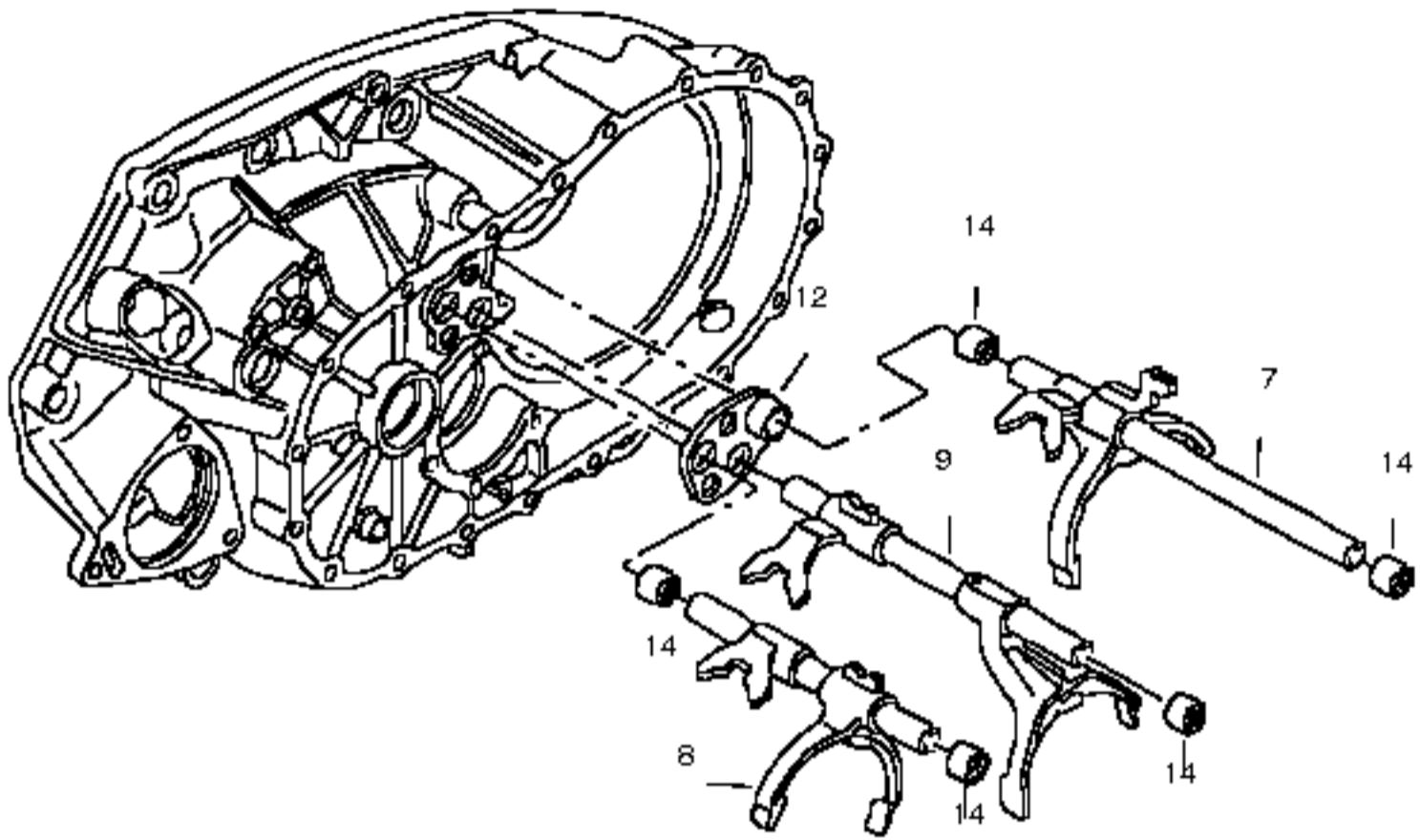
(21) 096323839CC
adjusting washer / 2,45

(21) 096323839CD
adjusting washer / 2,475

(21) 096323839CE
adjusting washer / 2,5

(21) 096323839CF
adjusting washer / 2,525

(21) 096323839CG
adjusting washer / 2,55



shift rod / AFK,AFL
selector fork
for 5 speed manual transmiss.

1 02G301230C
gear change unit

2 014301485
cap for transmission breather

3 02A301227C
oil seal / 24,3X6,5
switch
see illustration: / 945-..
seal
see illustration: / 945-..

6 N 10240001
hexagon head bolt c/w shoulder / M8X32-W

7 02F311549
selector shaft with selec.fork / 1./2.gear

8 02F311559
selector shaft with selec.fork / 3./4.gear

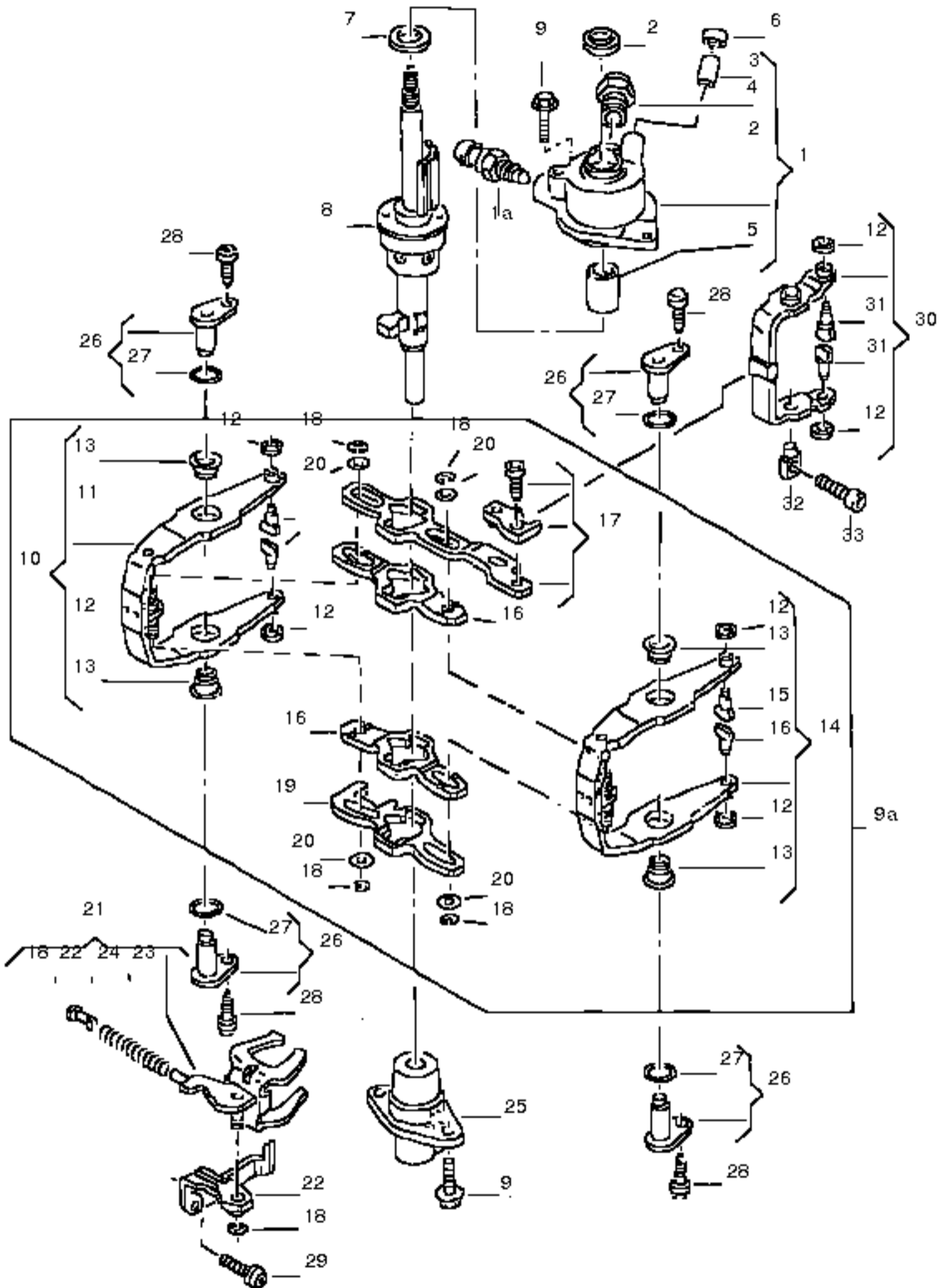
9 02F311562
selector shaft with selec.fork / 5.and reverse gear

10 02F301711B
locking unit

11 02F311618A
retaining sleeve

12 02F301089
selector rod guide
see illustration: / 711-..

- G 052128A1
sealing grease for radial shaft oil seal / 50G



shift rod / DCV,DCX,DCU,
selector fork / DCW,DKA,DJZ
for 5 speed manual transmiss.

1 02B301231D
gearshift housing
switch
for back-up light
see illustration: / 919-60
/ 919-65

2 02A301227C
oil seal / 24,3X6,5

3 012301474A
sleeve / 12X30

4 02A301241G
locking screw

5 02A311648C
ball sleeve / 15,2X23X23

6 014301485
cap for transmission breather

7 02A301320B
stop ring / 15,8X28X1

(8) 02B301233L
shift rod

9 N 0195024
hexagon head bolt c/w shoulder / M8X25

9A 02A311490K
selector fork group with selector rail

10 -----.
discontinued / replacement: / 02A 311 490 K

11 02J311585A
shift segment / 1./2.gear

12 N 90397501
clamping washer / 7X15

(13) 02A311590C
angular ball bearing / 11,8X8,5X21

14 -----.
discontinued / replacement: / 02A 311 490 K

15 02A311585J
shift segment / 3./4.gear

16 -----.
discontinued / replacement: / 02A 311 490 K

17 -----.
discontinued / replacement: / 02A 311 490 K

18 N 0124373
lock washer

19 -----.
discontinued / replacement: / 02A 311 490 K

20 02A311616
washer / 9,2X13,5X1

21 02A311521E
selector fork / reverse gear

also use: / 02A 311 490 K

22 02A301445
support / reverse gear
selector fork

23 02A311548A
pressure spring / reverse gear

24 02A311614
glide piece / reverse gear

(25) 02A301252D
locking cover

26 02A301427A
support pin

27 N 90362001
round seal / 14X2

28 N 90365907
torx socket fillister hd. bolt / M8X22-E-W

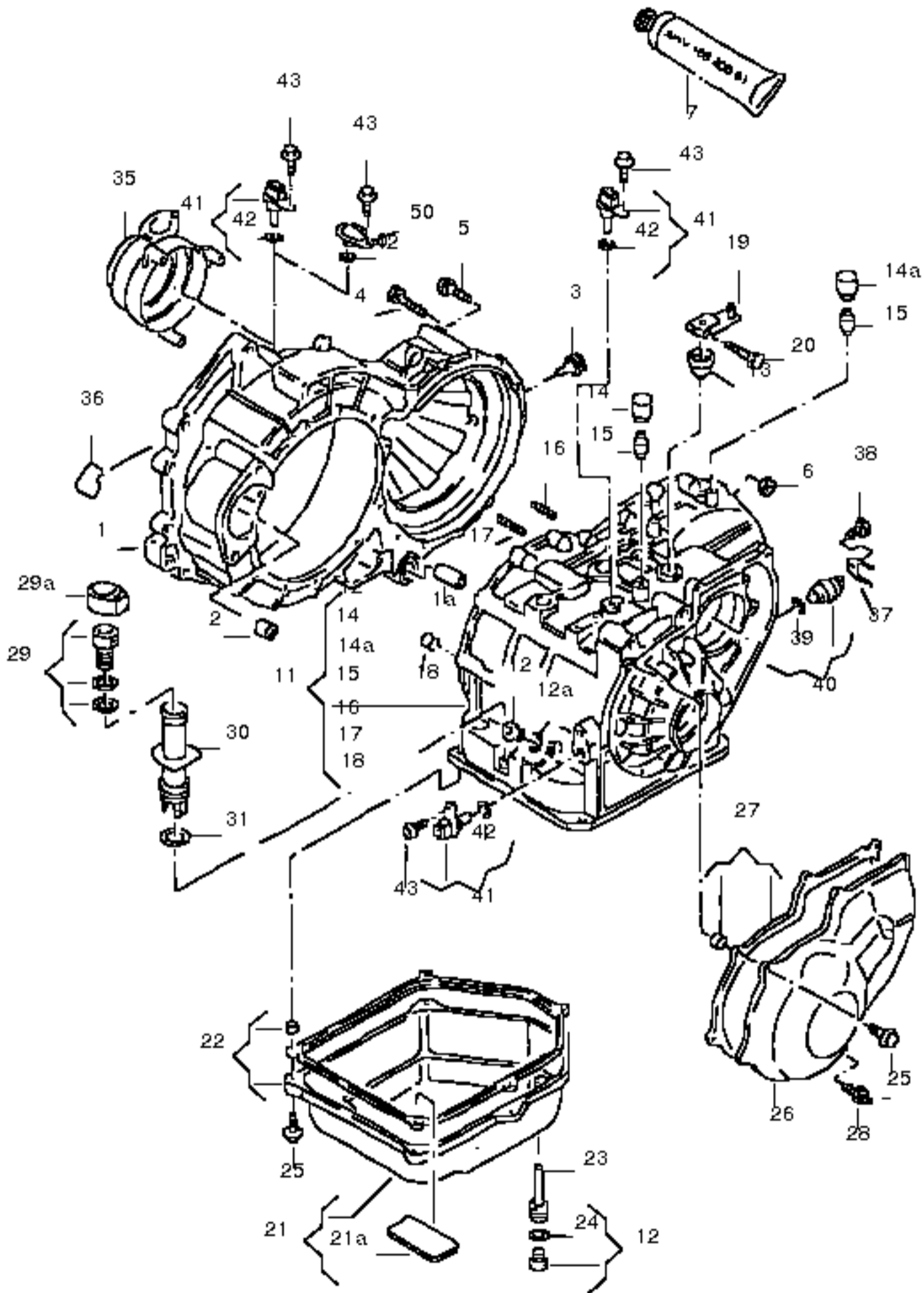
29 N 90464601
bolt, torx socket head / DM8X35-V

(30) 02A311562A
selector fork / 5.GANG

31 02A311585K
shift segment / 5-speed

32 02A301443
bearing for selector fork / 5-speed

33 N 0147135
allen key head bolt / M8X35



transmission case
for 4-speed automatic gearbox
transmission case / CWC,CWD,CWE,
for 4-speed automatic gearbox / CWF,CWG,CWH, / DLM

1 098321107M
converter housing / CWC,CWD,CWE, / CWF,DLM

1 098321107T
converter housing / CWG,CWH
bearing bush
see illustration: / 399-20

2 113301155
bush / 11,06X13,63X14

3 091301141
oil drain plug, magnetic / M24X1,5

4 N 10162204
hexagonal head bolt / M8X75

5 N 0195033
hexagonal head bolt / M8X35

6 N 01508311
hexagon nut, shouldered / M8

7 AMV18820003
sealing paste / 100G

11 01P321102D
transmission case
also use: / 01P 323 880 B
/ 01P 323 880 C
/ 098 323 873 A
/ 01M 323 981 A

- 01P323880B
gear set for intermed. drive / Z=51/44

- 01P323880C
gear set for intermed. drive / Z=48/47

- 098323873A
bearing cover

- 01M323981A
taper roller bearing / 41X72X17,6

12 N 90414201
plug with seal / M10X1

12A N 0138115
seal / A10X13,5

13 095321182B
round seal

14 095409841
cover

14A 010409841A
cover

15 010409847
breather tube / 9,1X23X8,1

16 N 0145965
stud / AM8AX28

17 N 0144007
stud / AM8AX35

18 02M301153
dowel sleeve / 12X9,5

19 098321171
lever / lhd

(19) 098321171A
lever / rhd

20 N 90441601
hexagonal head bolt / M6X32

21 01P321359
oil sump

21A 097321368
magnet

22 098321370
gasket

23 099321363
oil pipe / 44MM

24 N 0138115
seal / A10X13,5

25 N 90533002
hexagon head bolt (combi) / M6X20

26 01P321490
cover

27 01P321488
gasket

28 N 90578501
double stud with hexagon drive / M6X20-M6X8

29 01M321432A
plug

29A 01M321435B
cap

30 099321407A
oil filler pipe

31 003321419B
round seal / 17,5X3,5
housing
see illustration: / 409-50

36 098321110B
covering plate

37 097321527
retainer

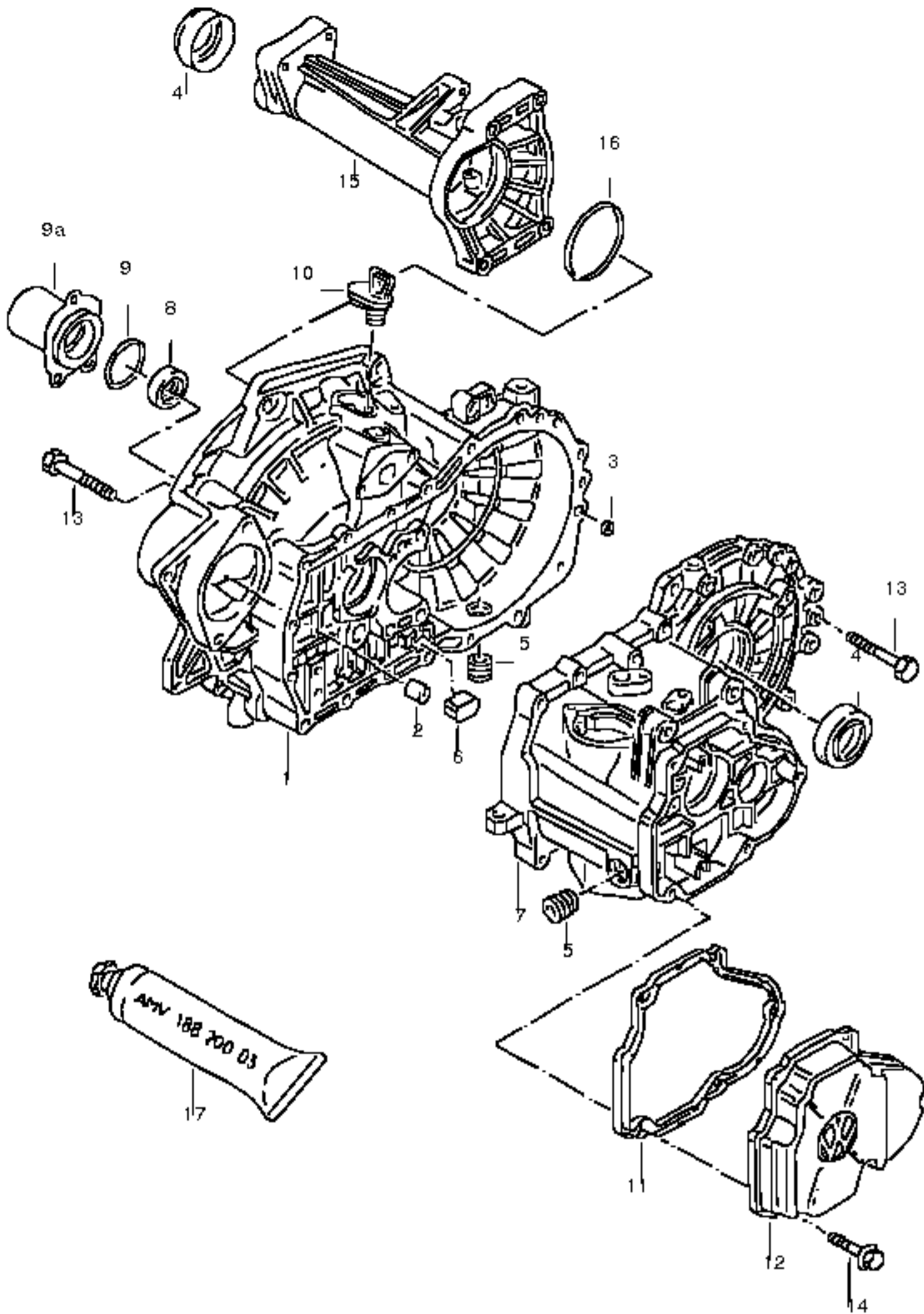
38 N 90533002
hexagon head bolt (combi) / M6X20

39 095321529
round seal / 22X3
multi-function switch for automatic gearbox
see illustration: / 927-50
speed sender
see illustration: / 927-50 / CWD,CWF,CWG,
/ CWH,DLM;
/ CWC,CWE

42 095321559
round seal / 11X3

43 N 90440701
hexagonal head bolt / M6X15

axle oil
for automatic gearbox
see workshop manual



transmission case / DCV,DCX,DCU,
for 5 speed manual transmiss. / DCW,DKA,DJZ

1 02B301107K
clutch housing

2 014301155
bearing bush / 12,1X14,12X14

3 02M301153
dowel sleeve / 12X9,5
see illustration: / 409-10

5 012301127F
sealing plug / M24X1,5

6 084301143A
magnet

7 02B301103F
transmission case

8 085311113
oil seal / 21,8X35X7
see illustration: / 141-10
see illustration: / 141-10

10 02A301115A
plug

11 02A301215A
gasket

(12) 02A301211A
gearbox cover

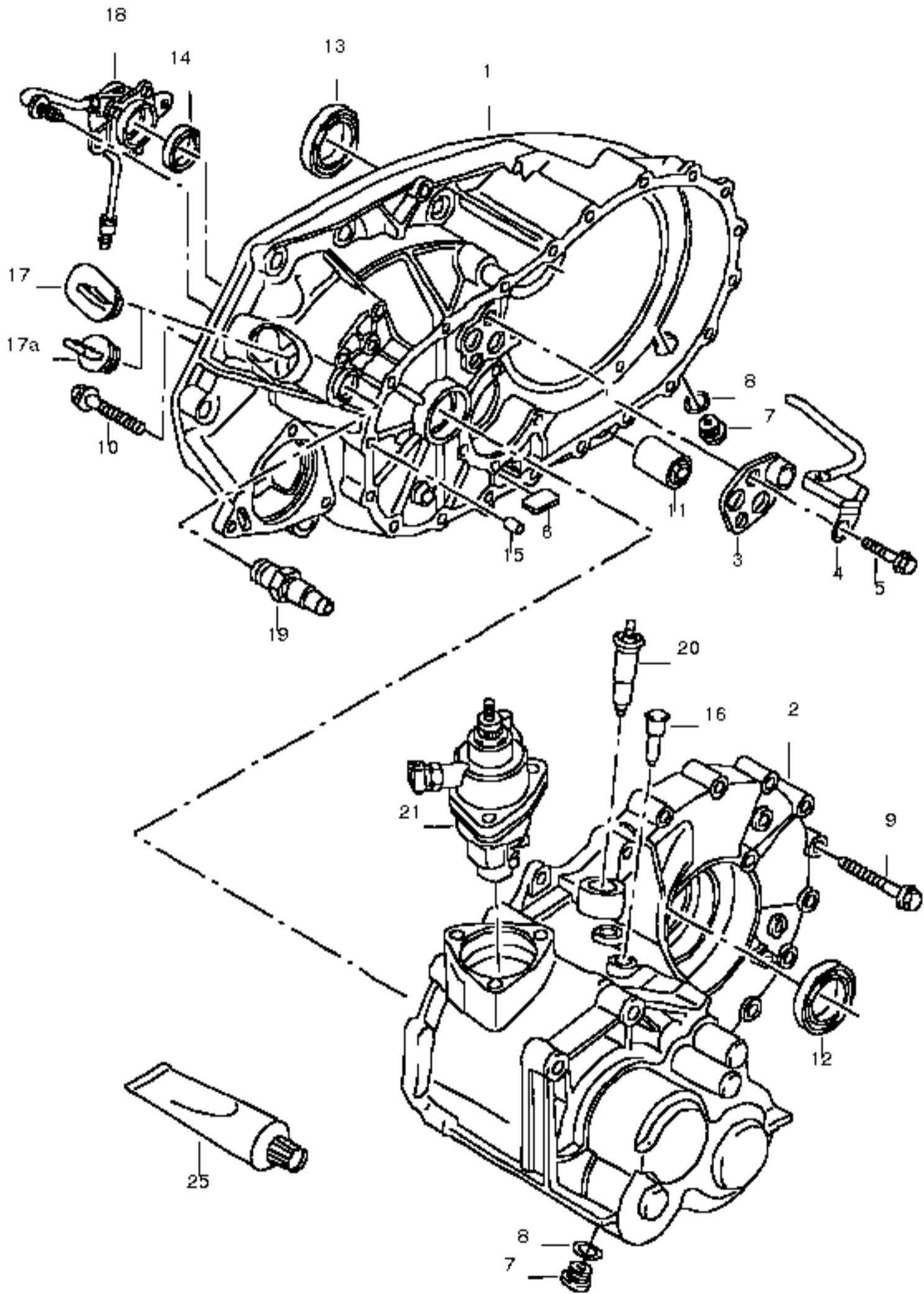
(13) N 10138904
hexagonal head bolt / M8X60

14 N 10143002
hexagonal head bolt / M7X20
see illustration: / 409-10
see illustration: / 409-10

17 AMV18820003
sealing paste / 100G

- 02B398001
set of gaskets for manual transmission

- G 052128A1
sealing grease for radial shaft oil seal / 50G



transmission case / AFK,AFL
for 5 speed manual transmiss.

1 02G301107
clutch housing / AFK

(1) 02G301107A
clutch housing / AFL

2 02G301103
transmission case
see illustration: / 311-84

4 02G301279
oil drip tray

5 N 10240001
hexagon head bolt c/w shoulder / M8X32-W

6 084301143A
magnet

7 N 90215402
sealing plug / M24X1,5

8 N 0438092
seal / 24X29

9 N 10138904
hexagonal head bolt / M8X60

10 N 10138904
hexagonal head bolt / M8X60
see illustration: / 399-20

12 02F301189A
oil seal / 45X65X9

13 02F301189A
oil seal / 45X65X9
see illustration: / 141-20

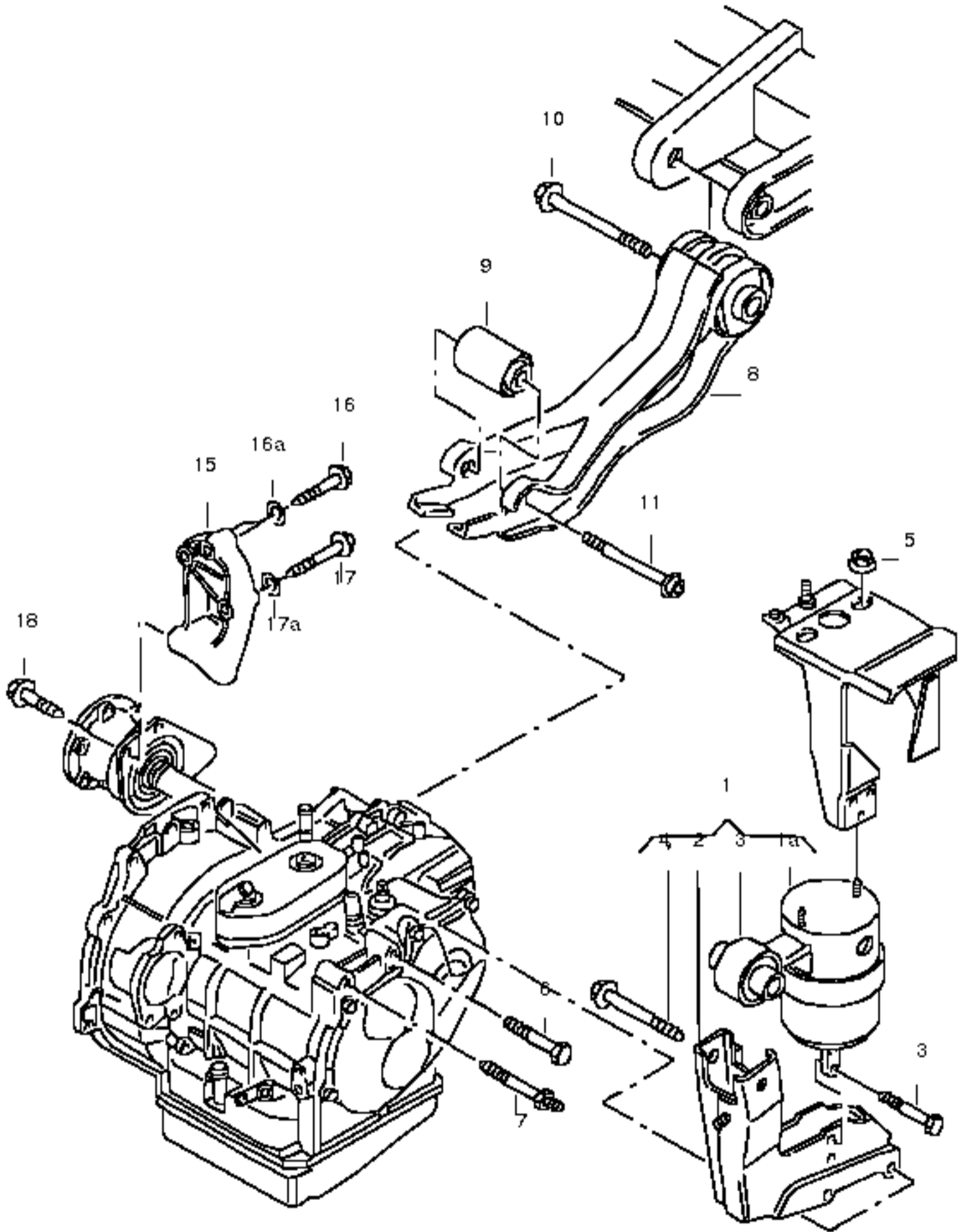
15 02M301153
dowel sleeve / 12X9,5
see illustration: / 311-84

17 02A301115A
plug
see illustration: / 141-..

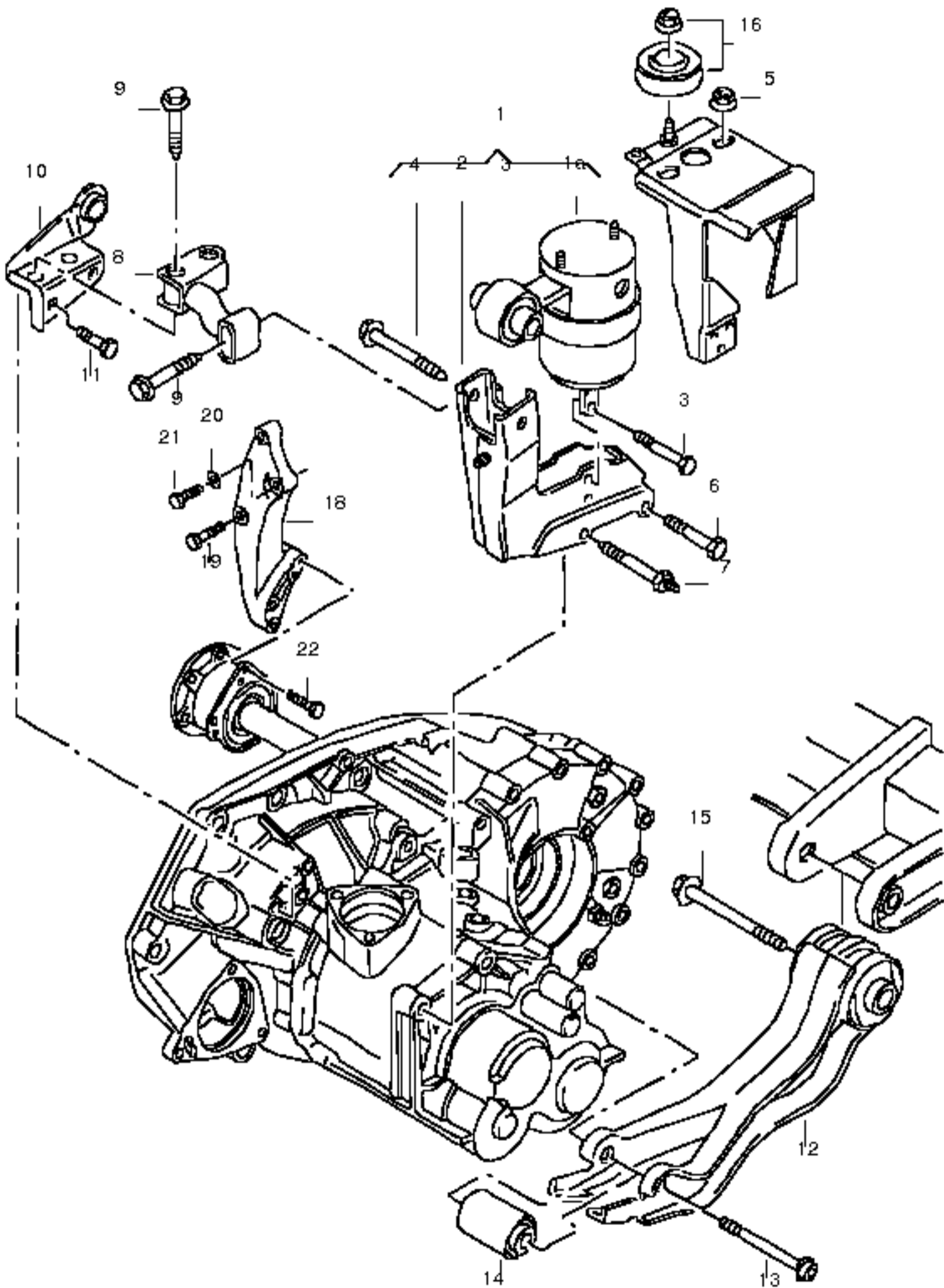
19 02F301363A
valve unit
see illustration: / 311-84
see illustration: / 311-84

25 AMV18820003
sealing paste / 100G

- G 052128A1
sealing grease for radial shaft oil seal / 50G



- transmission securing parts
4 speed automatic gearbox
transmission securing parts / CWD,CWF,CWC,
4 speed automatic gearbox / CWE,CWG,CWH,
/ DLM
- 1 7D0399107AL
support for transmission
- 3 N 10001204
hexagonal head bolt / M8X55
- 4 N 10220401
hexagon head bolt c/w shoulder / BM10X80
- 5 N 90736601
hexagon nut, shouldered / M10
- 6 N 10212103
hexagonal head bolt / M10X60
- 7 N 90498202
double stud with hexagon drive / M10X65/M8X10
- 8 701399207B
pendelum rod
- 9 701399661
bearing bush
- 10 N 90570301
hexagon head bolt c/w shoulder / M16X1,5X115
- 11 N 10311602
allen key head bolt (combi) / M12X1,5X95
- 15 02G409905
transmission carrier / right rear / CWD,CWF,CWC,
/ CWE,DLM
- (15) 02G409905A
transmission carrier / right rear / CWG,CWH
- 16 N 10277903
hexagonal head bolt / M10X50 / CWD,CWF,CWC,
/ CWE,DLM
- 16 N 10277903
hexagonal head bolt / M10X50 / CWG,CWH
- 16A N 01152711
washer / A10,5X21X2 / CWD,CWF,CWC,
/ CWE,DLM
- 16A N 01152711
washer / A10,5X21X2 / CWG,CWH
- 17 N 0195324
hexagon head bolt c/w shoulder / M10X70B / CWD,CWF,CWC, / CWE,DLM
- 18 N 0195024
hexagon head bolt c/w shoulder / M8X25



transmission securing parts / DVC,DCX,DCU,
for 5 speed manual transmiss. / DCW,DKA,DJZ,
/ AFK,AFL

1 7D0399107AL
support for transmission / AFK

(1) 7D0399107AM
support for transmission / AFL

(1) 7D0399107AD
support for transmission / DVC,DCX,DCU,
for models with hydraulic clutch operation / DCW,DKA,DJZ

(1) 7D0399107AC
support for transmission / DVC,DCX,DCU,
for mechanical clutch operation / DCW,DKA,DJZ

3 N 10001204
hexagonal head bolt / M8X55

4 N 10220401
hexagon head bolt c/w shoulder / BM10X80

5 N 90736601
hexagon nut, shouldered / M10

6 N 10212103
hexagonal head bolt / M10X60

7 N 90498202
double stud with hexagon drive / M10X65/M8X10

8 701399355
support

9 N 90696701
hexagon head bolt (combi)
see illustration: / 711-..
see illustration: / 711-..

12 701399207B
pendelum rod / AFK

12 7D0399207
pendelum rod / AFL

(12) 7D0399207B
pendelum rod / DCV,DCX,DCU,
/ DCW,DKA,DJZ

13 N 10311602
allen key head bolt (combi) / M12X1,5X95

14 701399661
bearing bush

15 N 90570301
hexagon head bolt c/w shoulder / M16X1,5X115
balance weight
see illustration: / 199-..

18 02G409905
transmission carrier / AFK

(19) 02G409905A
transmission carrier / AFL

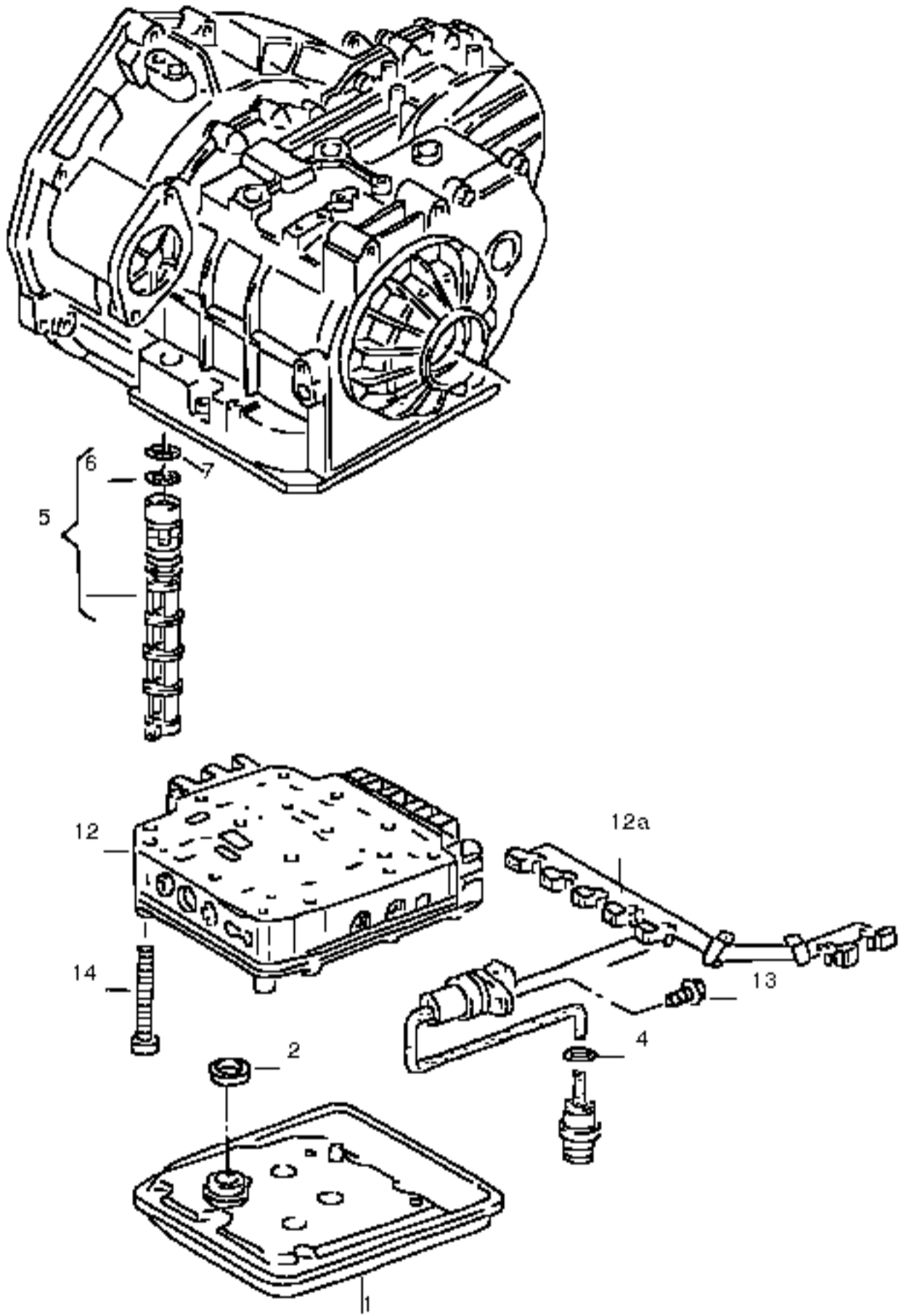
19 N 0195324
hexagon head bolt c/w shoulder / M10X70B

20 N 10277903
hexagonal head bolt / M10X50

21 N 01152711
washer / A10,5X21X2

22 N 0195024
hexagon head bolt c/w shoulder / M8X25 / DVC,DCX,DCU
/ DCW,DKA,DJZ

22 N 0195303
hexagon head bolt c/w shoulder / M8X25-PC / AFK,AFL



valve body
oil strainer
for 4-speed automatic gearbox
valve body / CWC,CWD,CWE,
oil strainer / CWF,CWG,CWH,
for 4-speed automatic gearbox / DLM

1 01M325429
oil strainer

2 01M325443
gasket

4 095325381A
round seal / 19X3

5 098323957
plug

6 095323969
round seal / 9X2

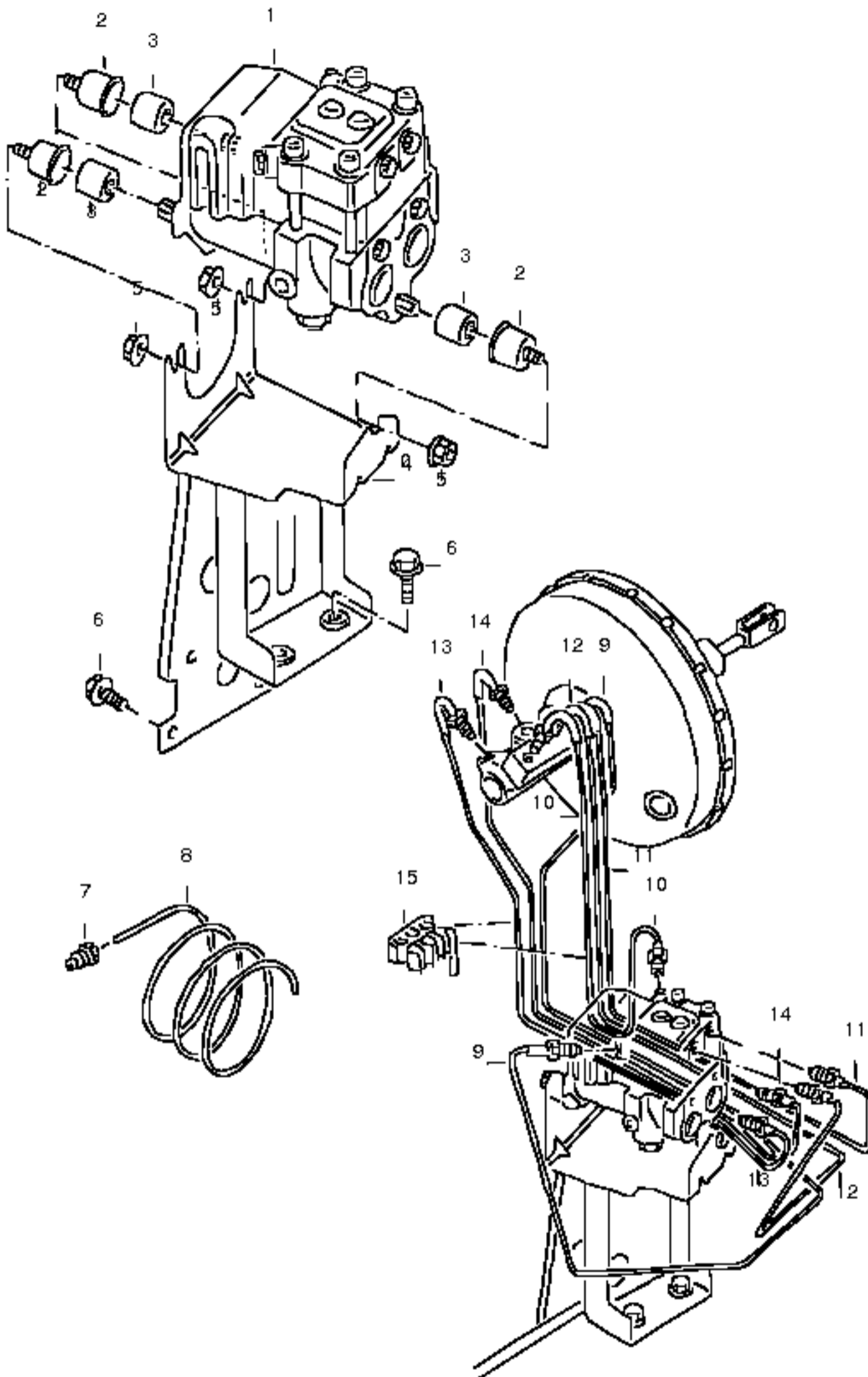
7 095323971
round seal / 7X2

12 01M325039D
valve body

12 01M325039DX
valve body
printed circuit foil
see illustration: / 927-50

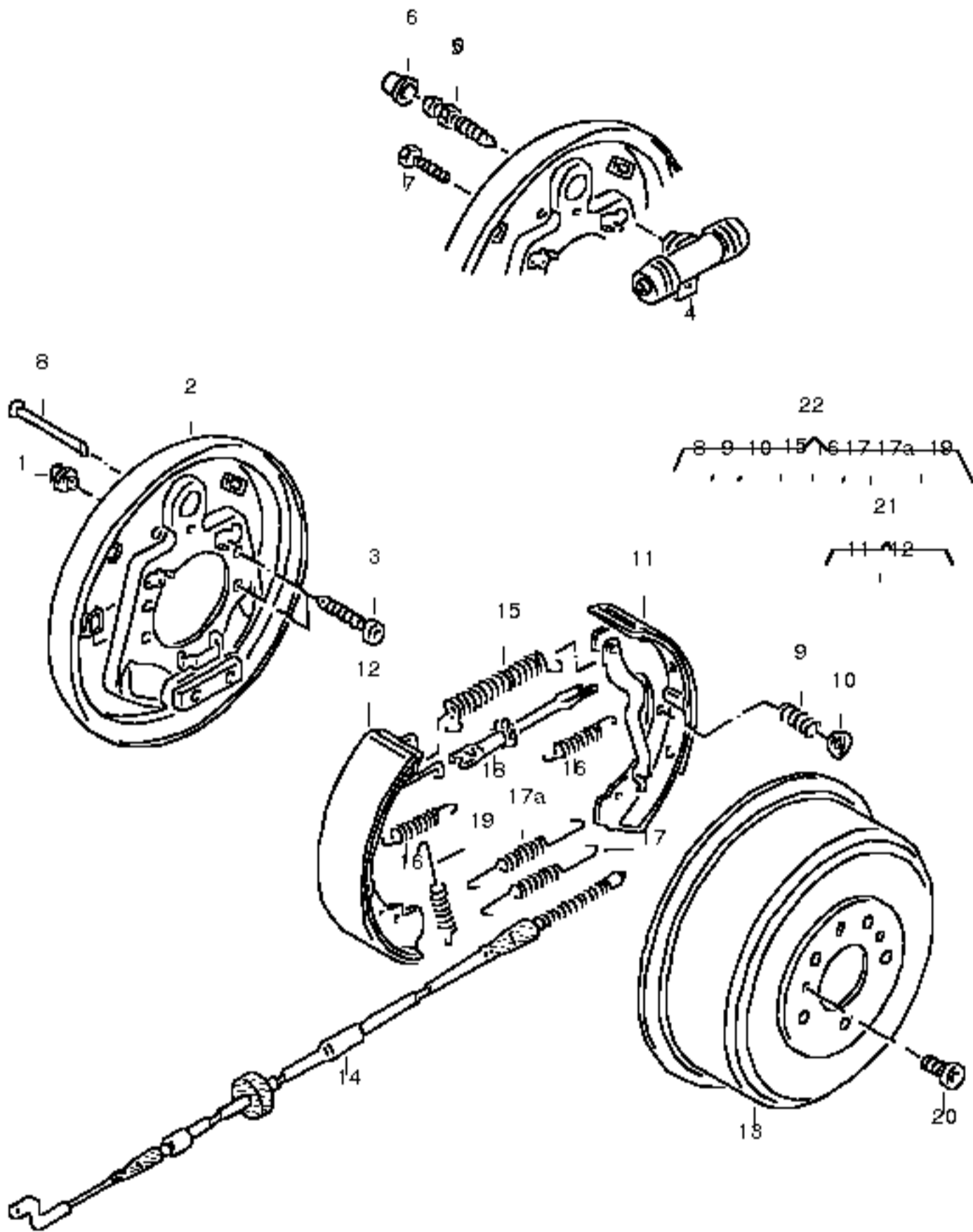
13 N 90440701
hexagonal head bolt / M6X15

14 N 10194302
round head bolt / M6X55



ABS

- 1 701614111A
abs unit
- 2 443614171
bearing bush
- 3 4A0614177
stop buffer
- 4 701614711
console
- 5 N 01100624
hexagonal nut / M6
- 6 N 01021710
hexagonal head bolt / M6X20
- 7 811611731
pipe union nut / M10X1/5 SW11
- 8 111611998
brake line in rolls of 5m 'order unit 5' / 4,75X0,7
shorten to: / 1020MM
/ lhd
shorten to: / 620MM
/ lhd
shorten to: / 875MM
/ lhd
shorten to: / 925MM
/ lhd
shorten to: / 920MM
/ lhd
shorten to: / 930MM
/ lhd
- 15 701614767
retainer
- 4A0927841
relay
- 4A0927843A
contact close relay / 6 pin
abs unit



back plate / rear

brake shoe with lining

brake cable

brake drum / 270X65MM

1 291609163

plug / 16X5,5MM

(2) 701609425A

back plate / left

(2) 701609426A

back plate / right

3 N 90467501

allen key head bolt / M14X1,5X26

(4) 721611047

wheel brake cylinder / 20.64MM

5 211611477A

bleeder valve / M6X28

6 211611483

dust cap

7 N 0102376

hexagonal head bolt / M8X12

8 251609279

spring pin / 4X39MM

9 251609283

pressure spring

10 251609289

spring disc

11 701609531E

brake shoe with lining and brake lever / left

12 701609531D

brake shoe with lining and adjusting lever / left

(11) 701609532E

brake shoe with lining and brake lever / right

(12) 701609532D

brake shoe with lining and adjusting lever / right

13 701609617

brake drum / 270X65MM

14 701609701

brake cable / 852MM

15 701609707

tension spring

16 701609713

tension spring

17 701609717

tension spring / lower

17A 701609715

tension spring / lower

18 701609801

push rod / left

(18) 701609802

push rod / right

19 701609859

spring

20 N 90571201

allen key head bolt / M10X25X15

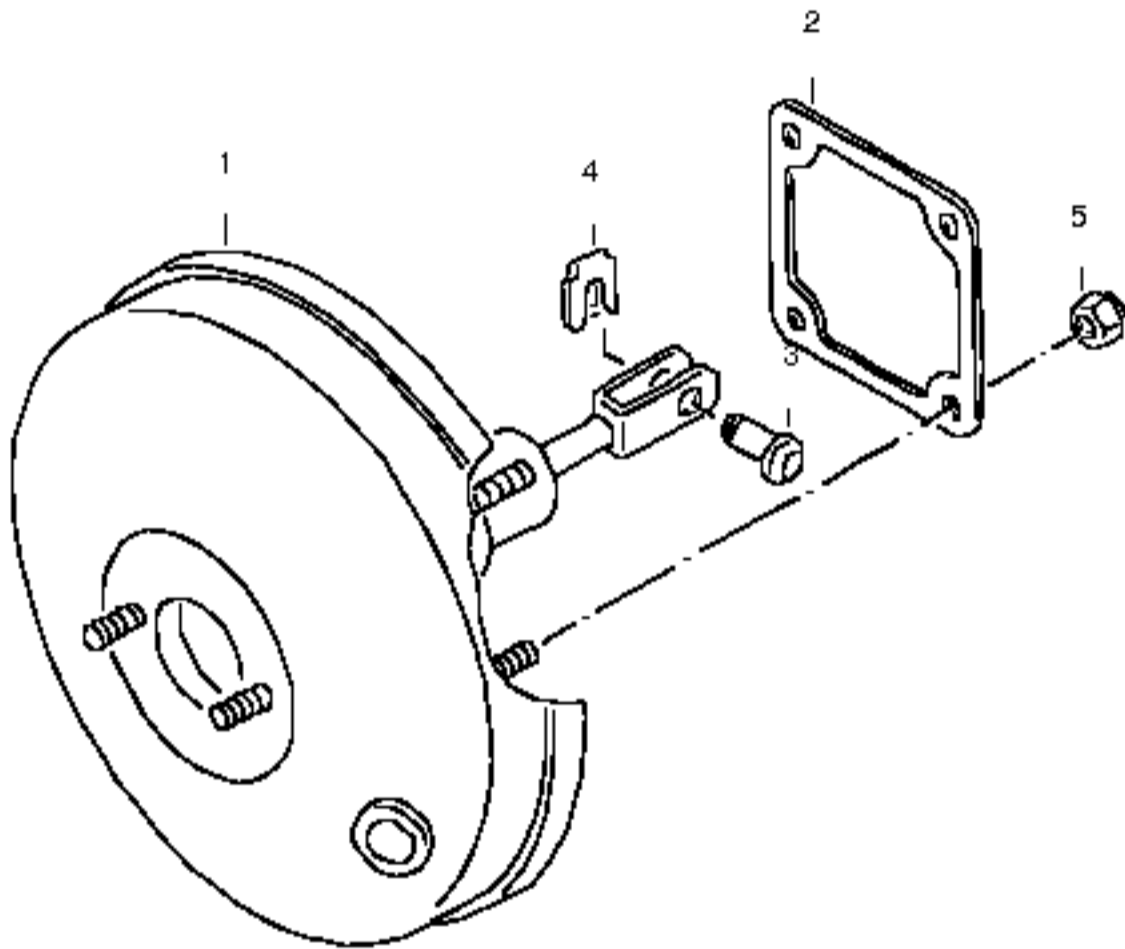
21 701698525B

1 set: brake shoes with linings / 270X65MM

(asbestos free)

22 701698545

1 set: securing parts for brake pads



brake booster

(1) 701612105C

brake servo with dual diaphragm / 8"/9"
/ lhd

1 701612105B

brake booster / 9"
/ rhd

- 861612175

gasket

2 1H0612161

gasket

3 N 90051201

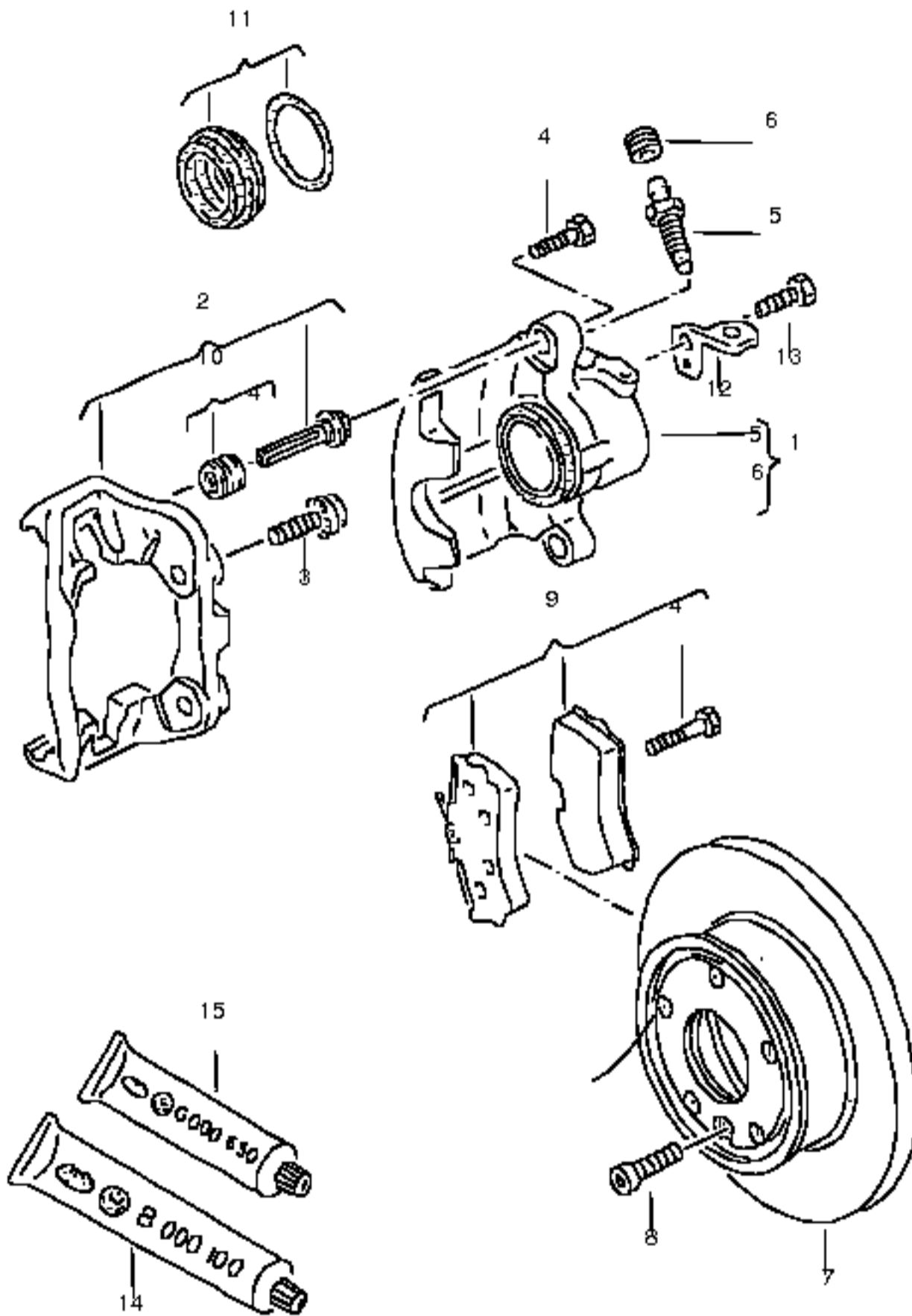
pin / 10D11X20,6X7,1

4 N 90254701

lock washer / 8X0,5

5 N 90074401

hexagon nut, self-locking / M8



Brake Caliper / 14" / PR-1LA
front / 260X16MM

Brake Caliper / front / PR-1LA
brake caliper housing / 14" GIRLING
brake carrier with pad retaining pin
Brake Disc

1 701615123
brake caliper housing / left

(1) 701615123 X
brake caliper housing / left

(1) 701615124
brake caliper housing / right

(1) 701615124 X
brake caliper housing / right

- 701698480AX
1 set: brake caliper housing

2 701615125
brake carrier with pad retaining pin

- 701698461 X
1 set: brake caliper with brake pads (complete) / front

3 N 90499301
hexagonal head bolt / M16X1,5X48

4 321615141
bolt, hexagon head self-locking / M8X21

5 447615273
bleeder valve

6 211611483
dust cap

7 701615301C
Brake Disc / 260X16 5/112

8 N 90571201
allen key head bolt / M10X25X15

9 701698151C
1 set: brake pads for disc brakes

10 443698470
1 set: protective boots for guide pins

11 701698471
set of seals for brake caliper housing

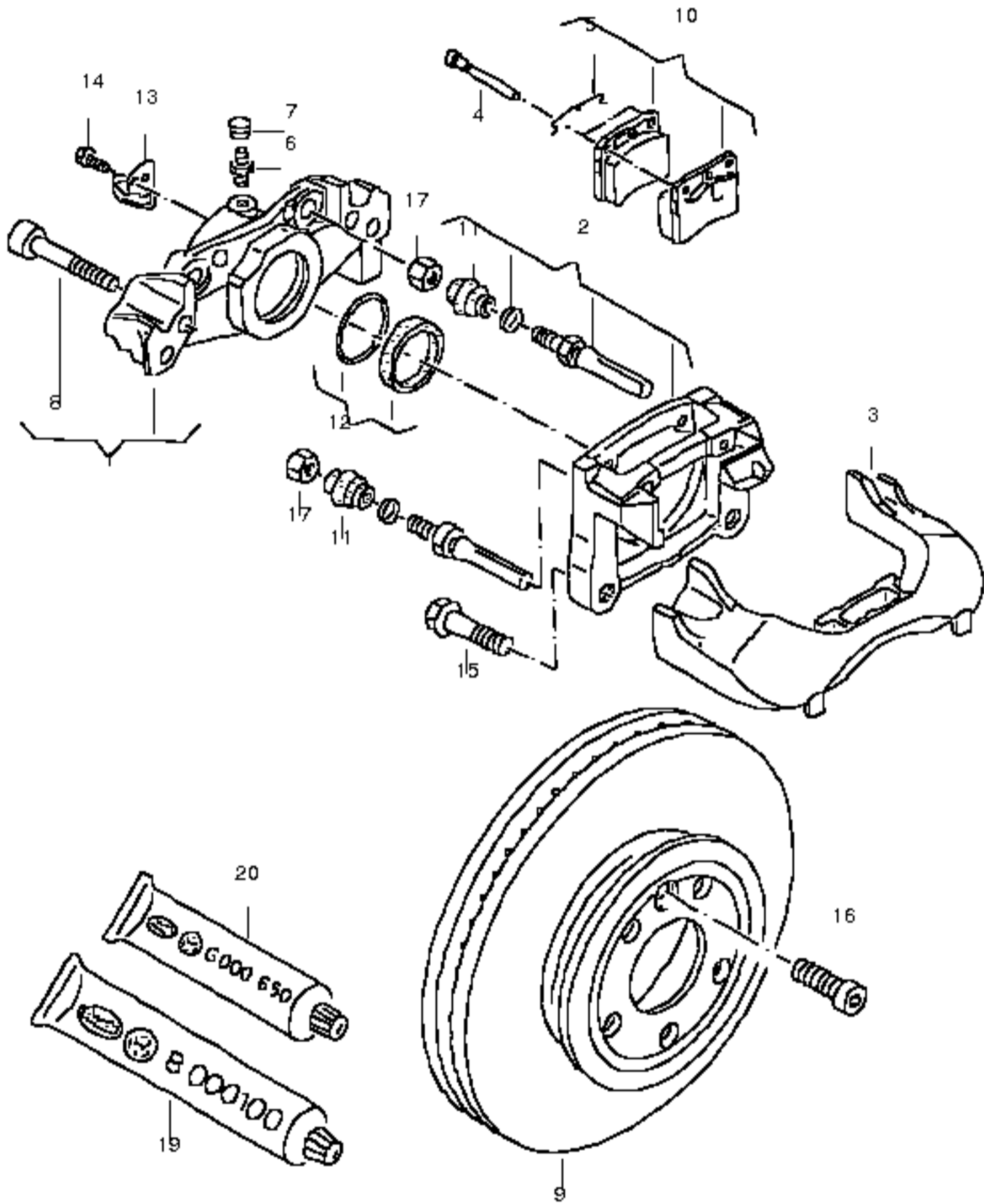
12 701611841
bracket for brake hose / left

(12) 701611842
bracket for brake hose / right

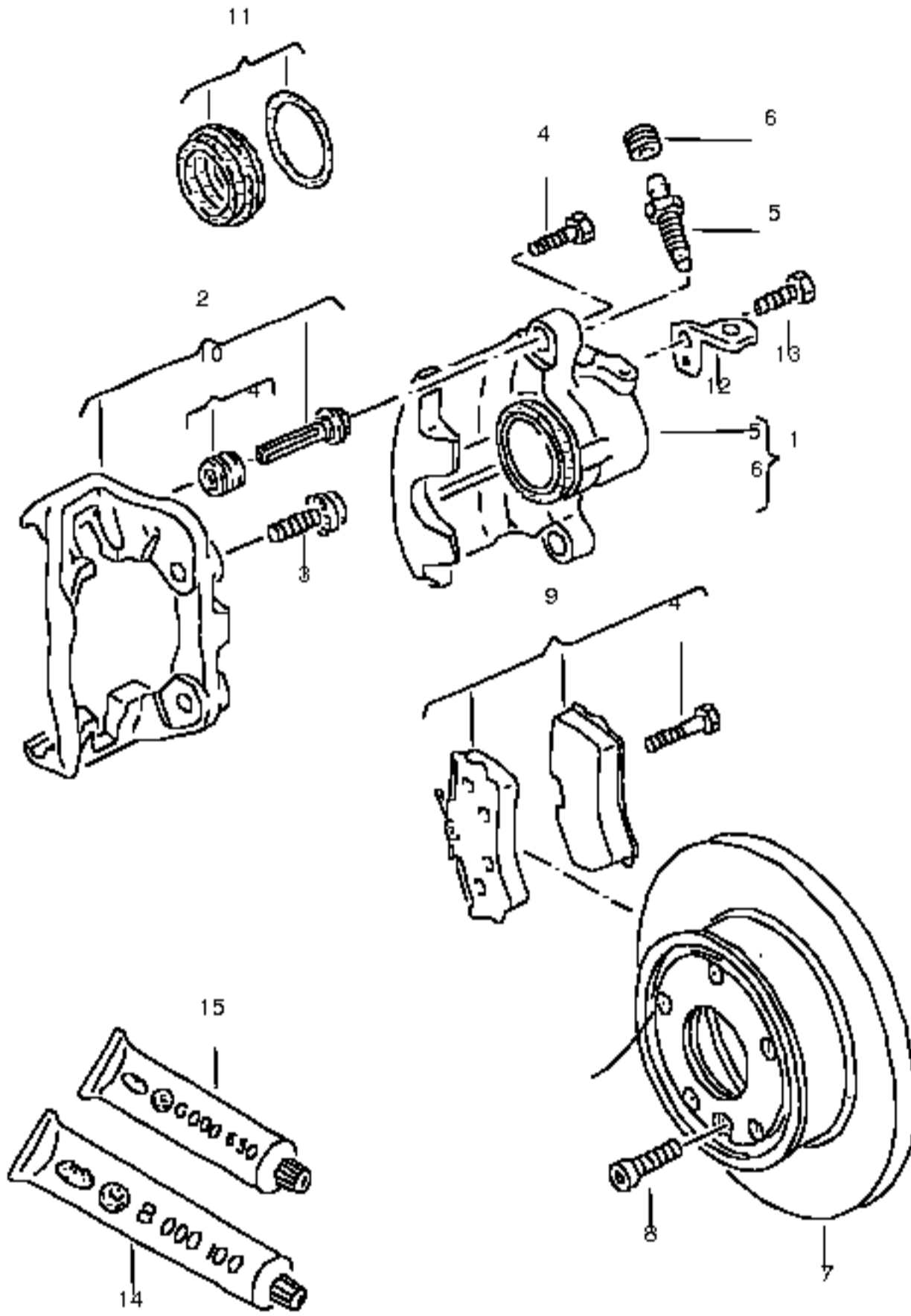
13 N 0143401
hexagonal head bolt / M6X10

14 G 052150A2
lithium-grease / 180G

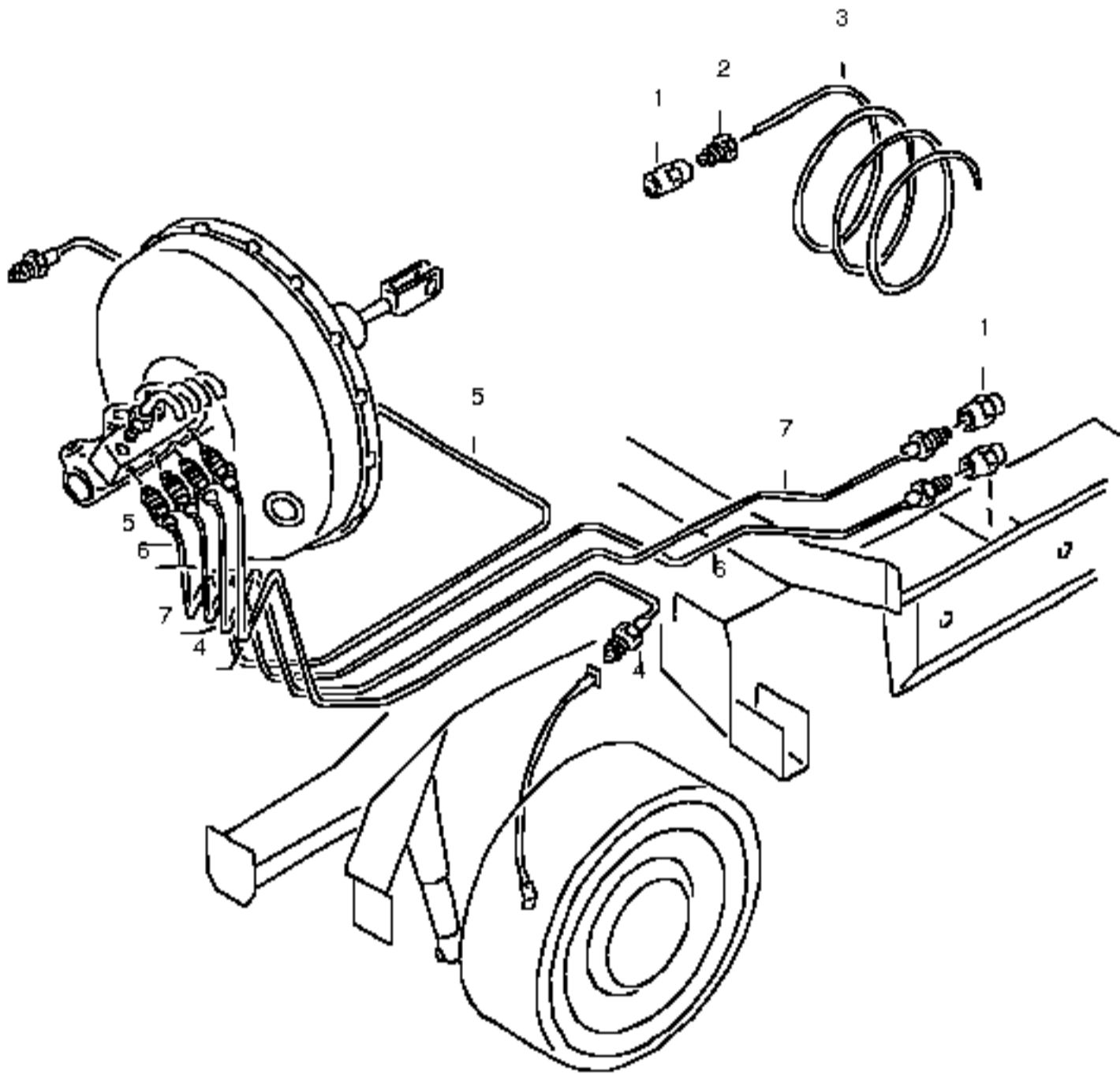
15 G 000650
lubricating paste / 100G



- framed calliper disc brakes / front / PR-1LE
/ 280X24MM
- framed calliper disc brakes / front / PR-1LE
brake caliper housing / 15" GIRLING
brake carrier with pad retaining pin
Brake Disc (vent)
- 1 701615123C
brake caliper housing / left
- (1) 701615124C
brake caliper housing / right
- 2 701615125C
brake carrier with pad retaining pin / left
- (2) 701615126C
brake carrier with pad retaining pin / right
no replacement part
- 701698461AX
1 set: brake caliper with brake pads (complete) / front
- also use: / 7D0 611 841 D
/ 7D0 611 842 B
- 4 701615263
retaining pin
- 5 701615269
spreader spring
- 6 447615273
bleeder valve
- 7 211611483
dust cap
- 8 701615143
bolt, with multi-spilne socket head / M12X70
- 9 701615301D
Brake Disc (vent) / 280X24 5/112
- (10) 701698151G
1 set: brake pads for disc brakes / LUCAS / PR-1LE
- 11 701698470
1 set: protective boots for guide pins
- 12 701698471
set of seals for brake caliper housing
- 13 701611841
bracket for brake hose / left
- (13) 7D0611841D
bracket for brake hose / left
- (13) 701611842
bracket for brake hose / right
- (13) 7D0611842B
bracket for brake hose / right
- 14 N 0143401
hexagonal head bolt / M6X10
- 15 N 90499301
hexagonal head bolt / M16X1,5X48
- 16 N 90571201
allen key head bolt / M10X25X15
- (19) G 052150A2
lithium-grease / 180G
- 20 G 000650
lubricating paste / 100G



- Brake caliper / 15" / PR-1LP
front / 282X18MM
- Brake caliper / front / PR-1LP
brake caliper housing / 15" GIRLING / ABL,AAB,AAC,
brake carrier with pad retaining pin / 1X
Brake Disc
- 1 701615123DX
brake caliper housing / left
- (1) 701615124DX
brake caliper housing / right
- 701698480 X
1 set: brake caliper housing / LINKS/RECHTS
- 2 701615125D
brake carrier with pad retaining pin / left
- (2) 701615126B
brake carrier with pad retaining pin / right
- 3 N 90499301
hexagonal head bolt / M16X1,5X48
- 4 321615141
bolt, hexagon head self-locking / M8X21
- 5 447615273
bleeder valve
- 6 211611483
dust cap
- 7 701615301E
Brake Disc / 282X18 5/112
- 8 N 90571201
allen key head bolt / M10X25X15
- 9 701698151E
1 set: brake pads for disc brakes
- 10 443698470
1 set: protective boots for guide pins
- 11 701698471
set of seals for brake caliper housing
- 12 701611841
bracket for brake hose / left
- (12) 701611842
bracket for brake hose / right
- 13 N 0143401
hexagonal head bolt / M6X10
- (14) G 052150A2
lithium-grease / 180G
- 15 G 000650
lubricating paste / 100G



brake line / anti-locking brake system

brake hose

1 411611789

connecting piece / M10X1

2 811611731

pipe union nut / M10X1/5 SW11

3 111611998

brake line in rolls of 5m 'order unit 5' / 4,75X0,7

shorten to: / 1915MM

/ lhd

shorten to: / 2325MM

/ lhd

shorten to: / 2265MM

/ lhd

shorten to: / 2345MM

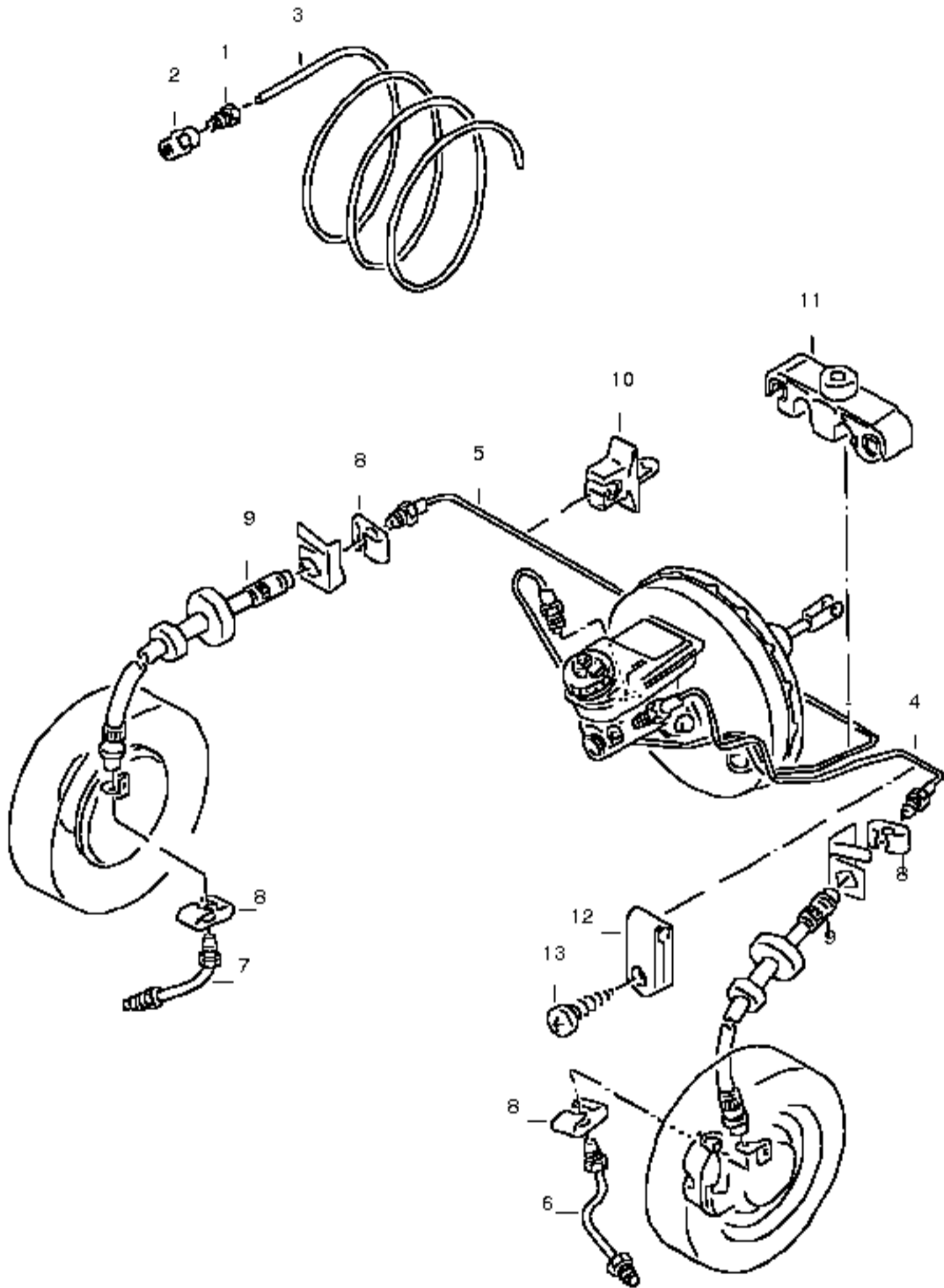
/ lhd

brake line / front

see illustration: / 611-20

brake line / rear

see illustration: / 611-30



brake line / lhd

brake hose / front

1 811611731

pipe union nut / M10X1/5 SW11

2 411611789

connecting piece / M10X1

3 111611998

brake line in rolls of 5m 'order unit 5' / 4,75X0,7

shorten to: / 1985MM

/ lhd

shorten to: / 2265MM

/ lhd

shorten to: / 100MM

shorten to: / 100MM

8 4D0611715B

retaining spring

9 7D0611701C

brake hose / M10X1X370

10 701611767A

holder for brake line / 1 point

11 701611767

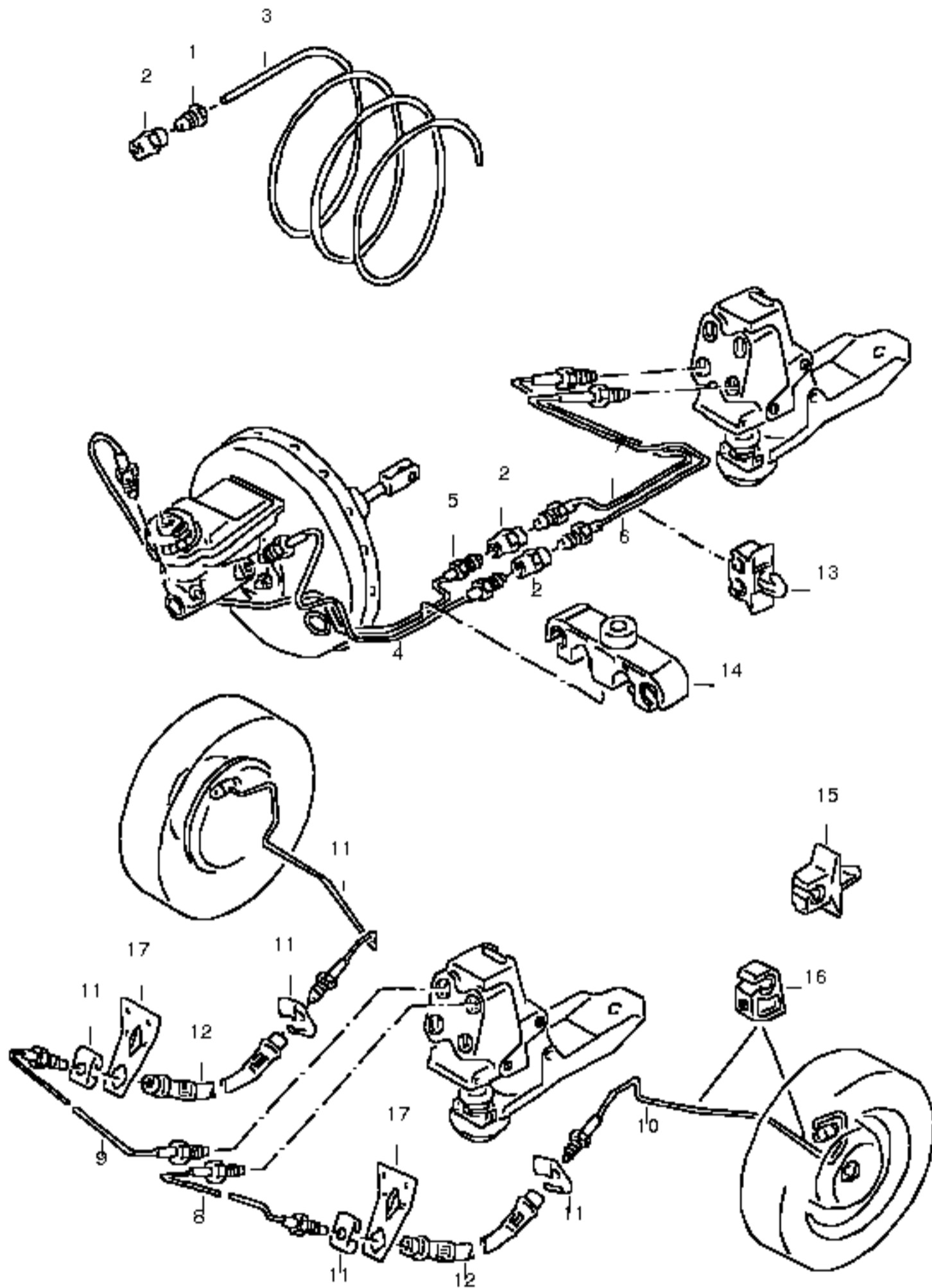
holder for brake line / 4 point

12 251611795

pipe clip

13 N 0139694

oval head panel screw / B4,8X16



brake line / rear

brake hose

1 811611731

pipe union nut / M10X1/5 SW11

2 411611789

connecting piece / M10X1

3 111611998

brake line in rolls of 5m 'order unit 5' / 4,75X0,7

shorten to: / 2340MM

/ lhd

shorten to: / 2310MM

/ lhd

shorten to: / 1675MM

shorten to: / 2090MM

for vehicles with extended wheelbase

shorten to: / 1695MM

shorten to: / 2075MM

for vehicles with extended wheelbase

shorten to: / 380MM

shorten to: / 380MM

shorten to: / 1130MM

shorten to: / 1130MM

11 4D0611715B

retaining spring

12 171611775

brake hose / M10X1X160

13 281611767

holder for brake line / 2 point

14 701611767

holder for brake line / 4 point

15 701611767A

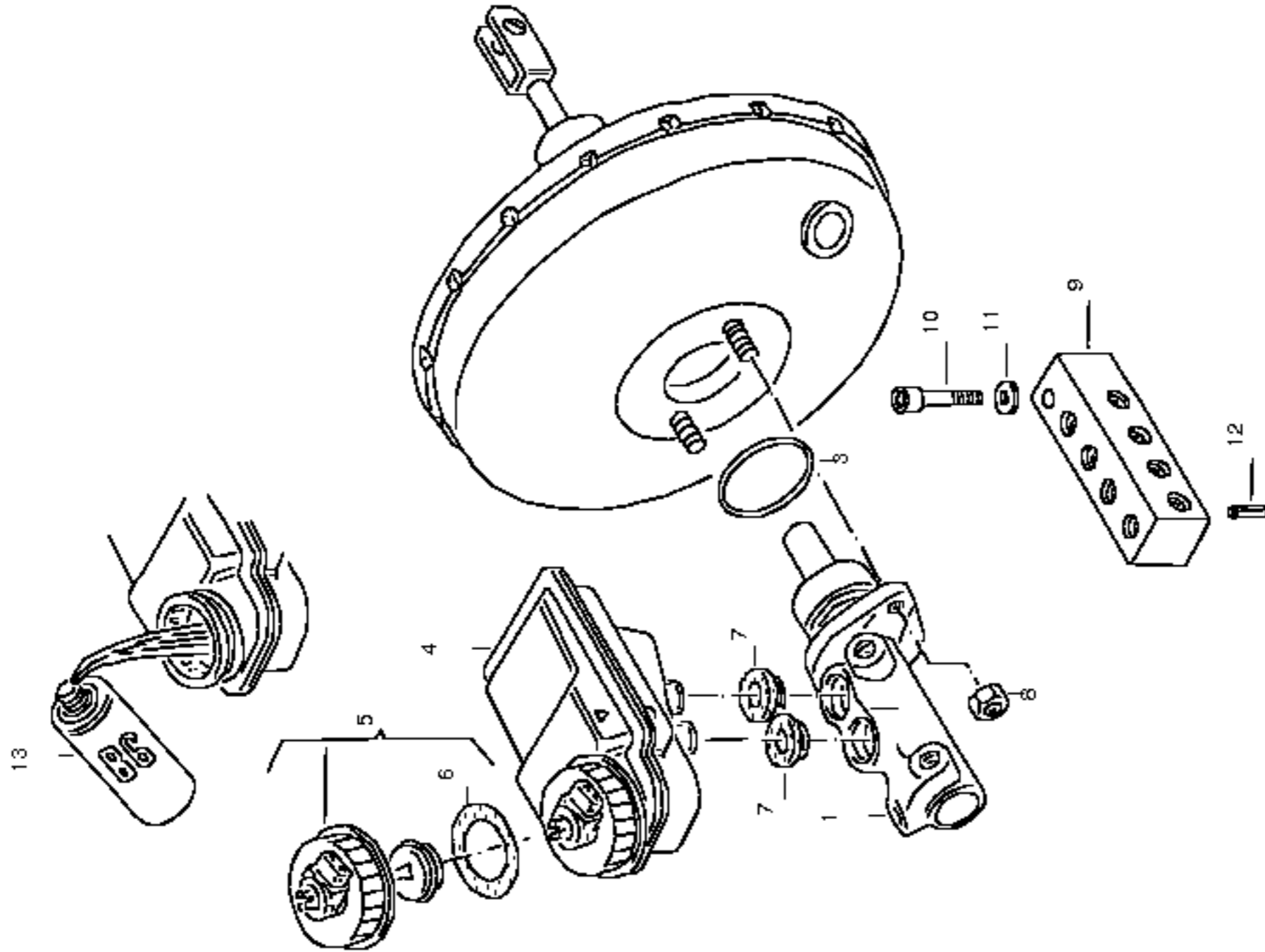
holder for brake line / 1 point

16 701611767B

holder for brake line / 1 point

17 701611838

bracket for brake hose



brake master cylinder / ATE

reservoir
brake fluid

1 357611019B

tandem master cylinder / 22,2X16/18
/ rhd

(1) 7M1611019

tandem master cylinder / 23MM 2XM10
/ lhd

(1) 7M0611019

tandem master cylinder / 23MM 2XM12
For ABS / lhd

(1) 701611019

tandem master cylinder / 22,20X17/17
For ABS / rhd

3 357611243

gasket between brake servo and brake tandem master cylinder / 41,5X2,5

(4) 701611301D

expansion tank / 140X60
/ RLKG

(4) 701611301E

expansion tank / 140X60
for models with hydraulic clutch operation / RLKG

(4) 7D0611301A

expansion tank / lhd

(5) 701611349B

cap for reservoir with fluid level sender / 58MM
/ rhd

5 701611349C

cap for reservoir with fluid level sender / 52,5MM
/ rhd
for models with hydraulic clutch operation

(5) 7D0611349

locking cover / lhd

6 893611347

seal

7 357611817

plug / 12/22

8 N 90074401

hexagon nut, self-locking / M8

13 B 000700A1

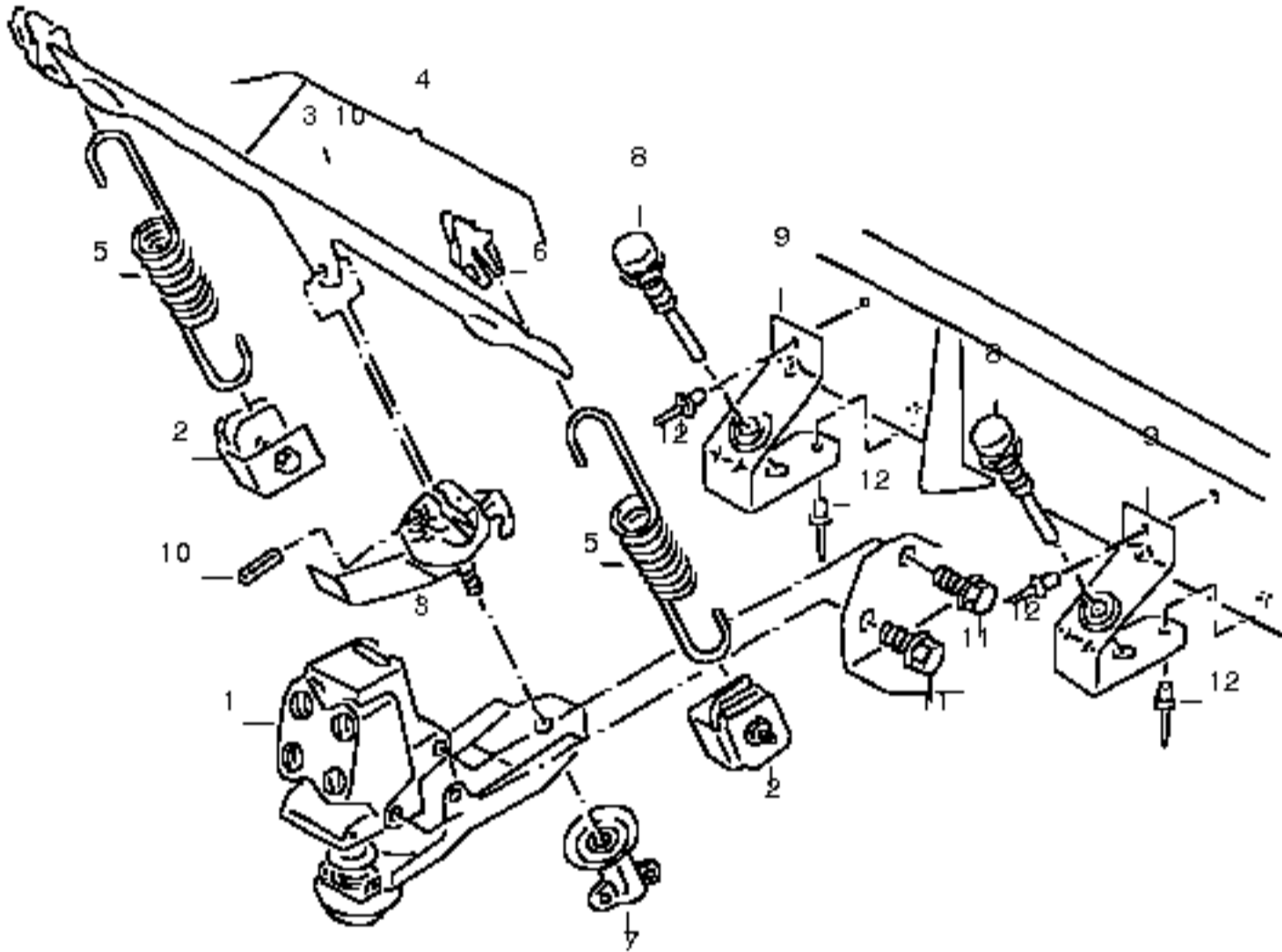
brake fluid / 0.25ltr.

(13) B 000700A3

brake fluid / 1.0 ltr.

(13) B 000700A6

brake fluid / 10 ltr.



brake pressure regulator

1 7D0612503

brake pressure reducer

2 701612513

buffer block

3 -----

no longer available

4 701612527B

compensating lever

5 701612561

tension spring

marked yellow

(5) 701612561A

tension spring

marked green

(5) 701612561B

tension spring

marked white

(5) 701612561C

tension spring

marked brown

(5) 701612561D

tension spring

black marked

(5) 701612561B

tension spring

marked white

6 701612563

spring retainer

7 701612564

wing nut

8 701612585A

stop buffer

9 701612597

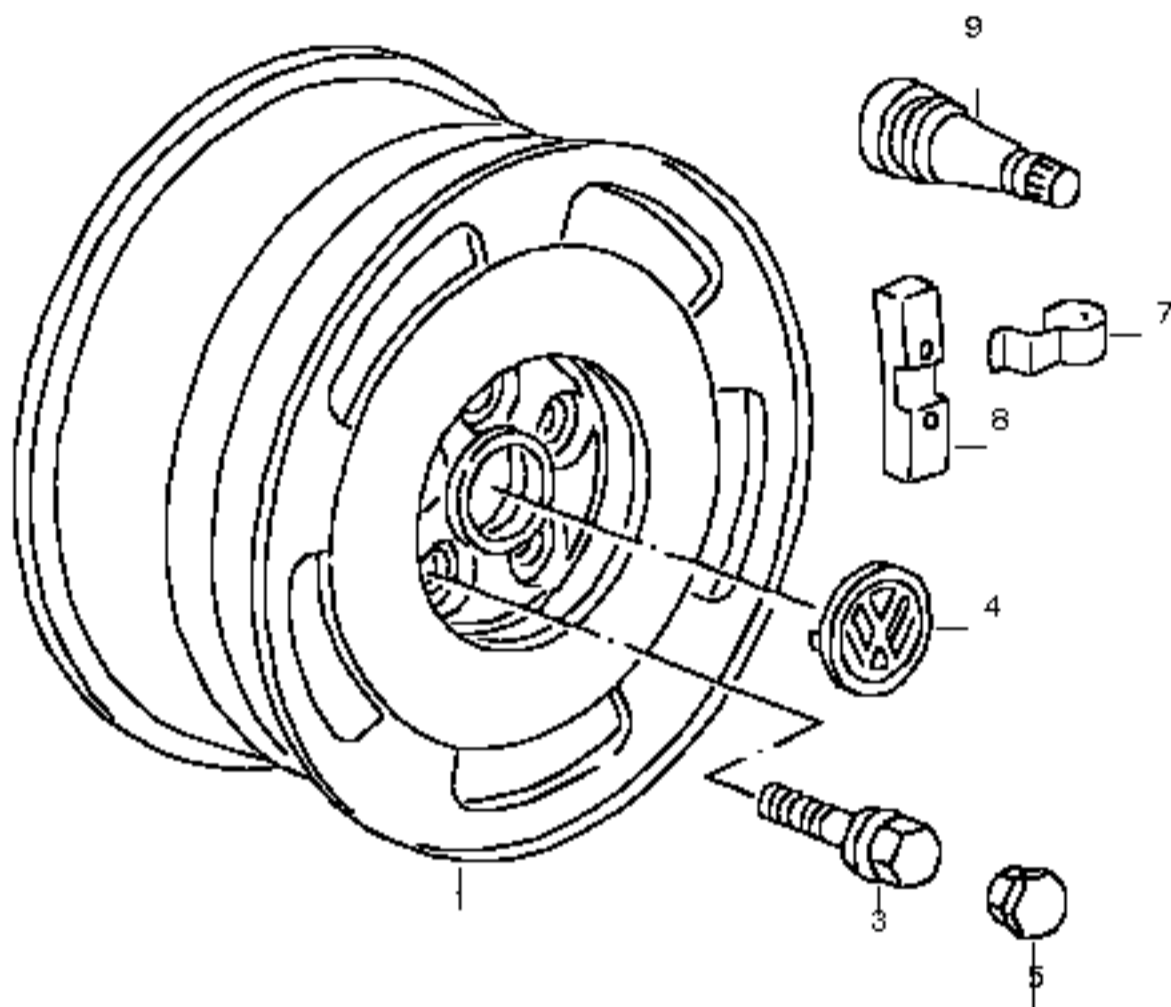
mounting for rubber stop

11 N 01155811

washer / 8,4X15X1,6

12 N 90478601

pop-rivet / A4,8X11



Wheel Disc 'alum'

Wheel Disc 'alum'

wheel cap

1 701601025

Wheel Disc 'alum' / 7 JX15 H2-ET35

aluminium-glossy/graphite / 5/112

3 701601139B

wheel bolt / M14X1,5X34

4 701601171

cover cap / 62MM

701601171 2BC graphite

(5) 7D0601173

cap - wheel bolt

7D0601173 2BC graphite

- 7M0698137

set of wheel bolts, anti-theft / M14X1,5X34

/ MC GARD

for wheel disc: / ALU

balance weight (self-adhesive)

7 255601180

spring

8 443601190

damper weight / 5G- 3/16OZ.

(8) 255601179

damper weight / 10G- 3/8 OZ.

(8) 255601181

damper weight / 20G- 3/4 OZ.

(8) 255601182

damper weight / 30G- 1 OZ.

(8) 255601183

damper weight / 40G- 1 3/8 OZ.

(8) 255601184

damper weight / 50G- 1 3/4 OZ.

(8) 255601185

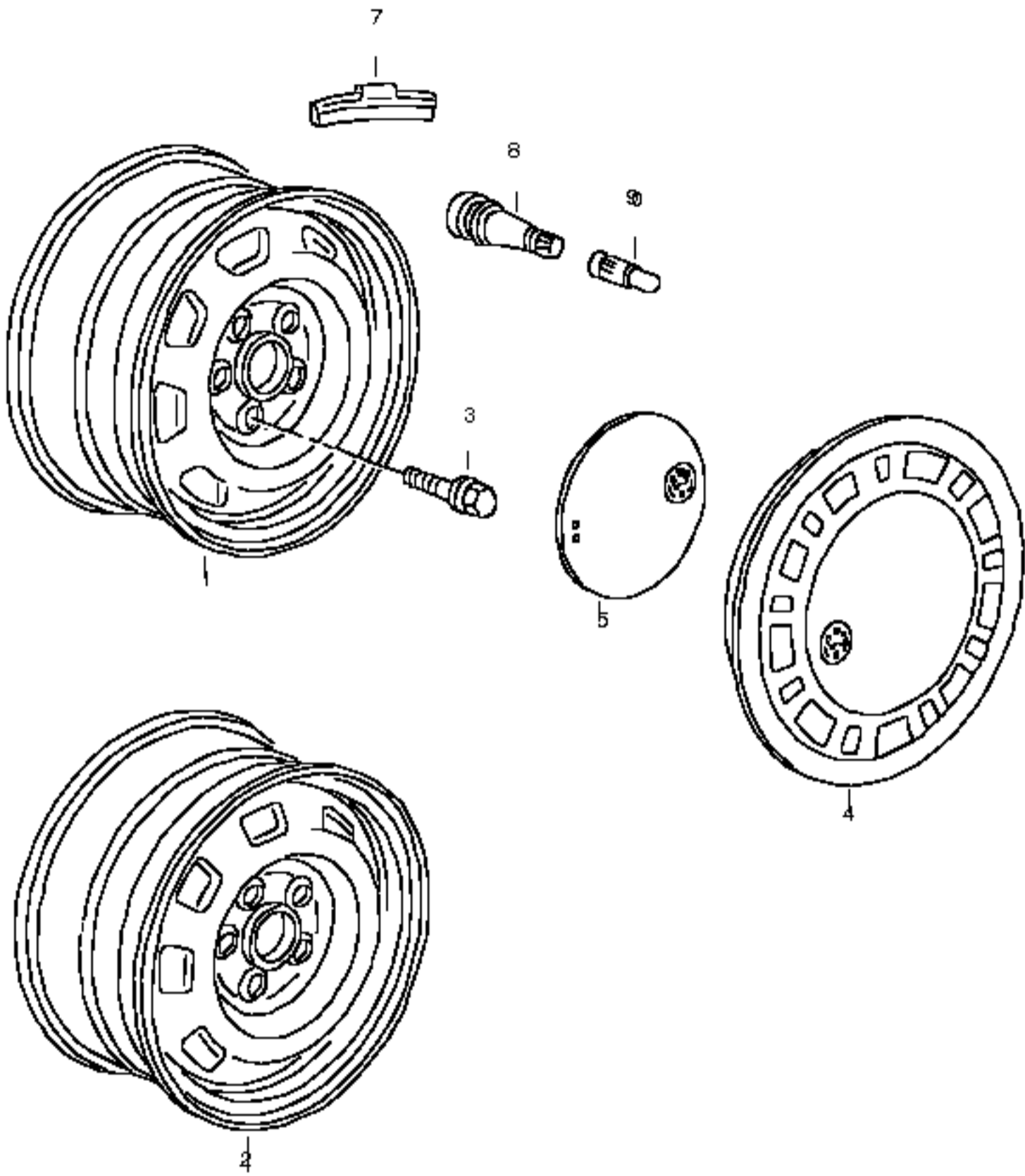
damper weight / 60G- 2 OZ.

(8) 255601186

damper weight / 70G- 2 1/2 OZ.

9 281601361

rubber valve



Wheel Disc 'steel'
Wheel Disc 'steel'
wheel cap

1 701601027B
Wheel Disc 'steel' / 6 JX15H2 ET44
/ 5/112
701601027B 091 chrome colored

(2) 701601027D
Wheel Disc 'steel' / 6 JX15H2 ET44 / PR-0J4
/ 5/112
= RADLAST 900 KG =
701601027D 091 chrome colored

3 701601139B
wheel bolt / M14X1,5X34

4 701601147A
wheel cap / 15"
701601147A 7ZV brilliant silver metallic
for wheel disc: / 701 601 027 B

5 701601149
wheel cap / 206MM
701601149 2BC graphite
for wheel disc: / 701 601 027 B

(5) 701601149A
wheel cap / 206MM
701601149A 7ZV brilliant silver metallic
for wheel disc: / 701 601 027 B
/ 701 601 027 D

balance weight with retaining spring

7 183601179
damper weight / 10 G- 3/8 OZ.

(7) 183601181
damper weight / 20 G- 3/4 OZ.

(7) 183601182
damper weight / 30 G-1 OZ.

(7) 183601183
damper weight / 40 G-1 3/8 OZ.

(7) 183601184
damper weight / 50 G-1 3/4 OZ.

(7) 183601185
damper weight / 60 G-2 1/8 OZ.

(7) 183601186
damper weight / 70 G-2 1/2 OZ.

8 281601361
rubber valve

9 3B0601373A
valve extension / 20,5MM